



US00D673291S

(12) **United States Design Patent**
Knight et al.

(10) **Patent No.:** **US D673,291 S**

(45) **Date of Patent:** **** Dec. 25, 2012**

(54) **PIPETTE TIP**

(75) Inventors: **Ivor Knight**, Arlington, VA (US); **Scott Corey**, Hydes, MD (US); **Ben Lane**, Hydes, MD (US); **Conrad Laskowski**, Baltimore, MD (US); **Alex Flamm**, Baltimore, MD (US); **Brian Murphy**, Baltimore, MD (US)

(73) Assignee: **Canon U.S. Life Sciences, Inc.**, Rockville, MD (US)

(**) Term: **14 Years**

(21) Appl. No.: **29/385,969**

(22) Filed: **Feb. 23, 2011**

(51) **LOC (9) Cl.** **24-02**

(52) **U.S. Cl.** **D24/222**

(58) **Field of Classification Search** D24/216,
D24/222-226, 231, 232, 169, 133; D10/81;
422/501; 73/864.01, 864.02, 864.11, 864.13,
73/864.14, 864.16

See application file for complete search history.

(56) **References Cited**

U.S. PATENT DOCUMENTS

D292,827 S * 11/1987 Fele D24/222
D373,827 S * 9/1996 Polaniec D24/222

5,770,158 A * 6/1998 Eischen et al. 73/864.13
D416,625 S * 11/1999 Torti et al. D24/222
D439,986 S * 4/2001 Petrek D24/222
D560,815 S * 1/2008 Tajima D24/222
D565,192 S * 3/2008 Tajima D24/222
D569,989 S * 5/2008 Tajima D24/222
D593,205 S * 5/2009 Ayliffe D24/222
D601,712 S * 10/2009 Tajima D24/222

* cited by examiner

Primary Examiner — Anhdao Doan

(74) *Attorney, Agent, or Firm* — Rothwell, Figg, Ernst & Manbeck, P.C.

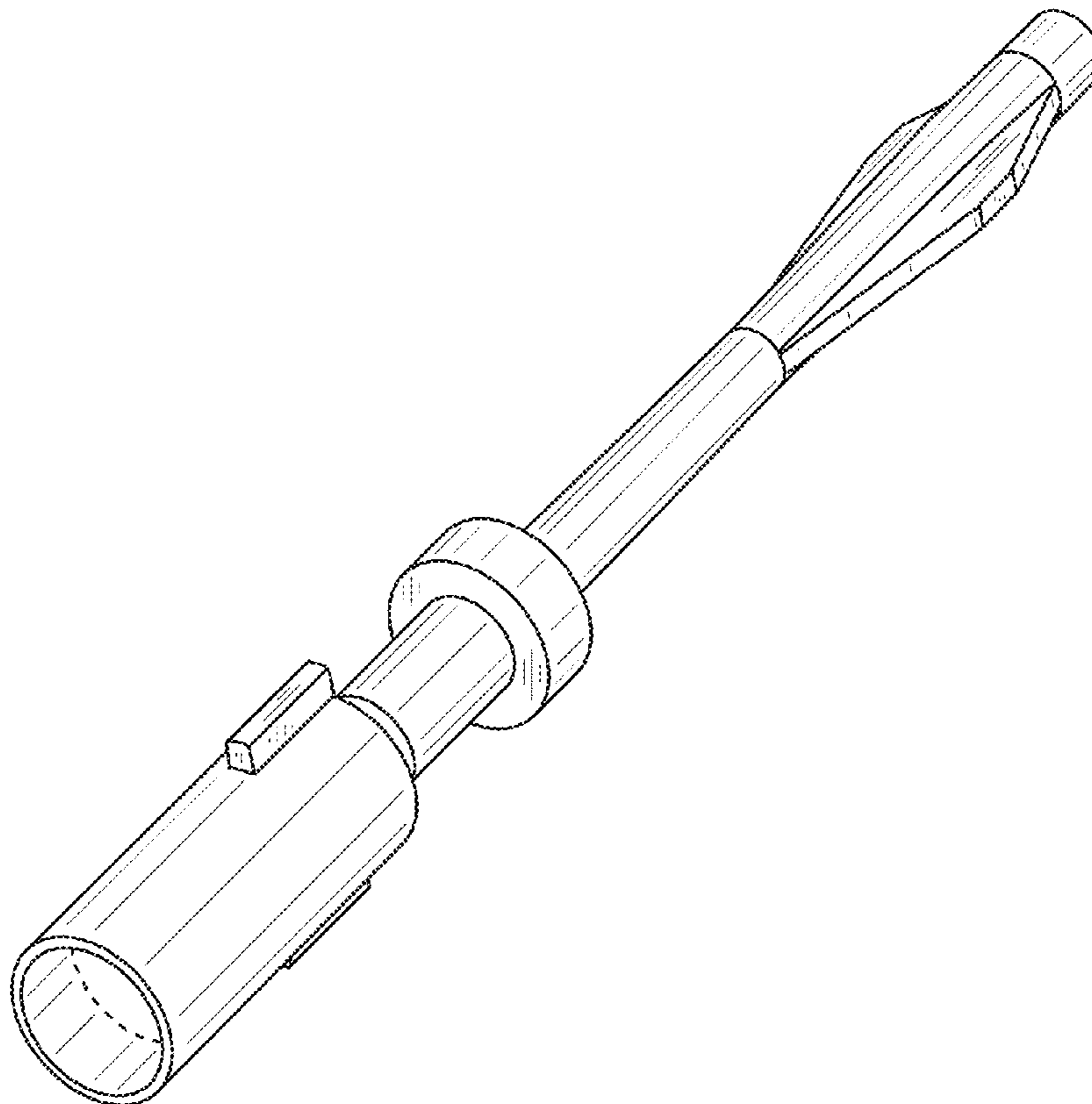
(57) **CLAIM**

The ornamental design for a pipette tip, as shown and described.

DESCRIPTION

FIG. 1 is a top, front and right perspective view of a pipette tip; FIG. 2 is a front view of the pipette tip, which is identical to the back view of the pipette tip; FIG. 3 is a left side view of the pipette tip, which is identical to the right side view of the pipette tip; FIG. 4 is a top view of the pipette tip; and, FIG. 5 is a bottom view of the pipette tip. The portions of the design shown in FIGS. 1 and 4 in broken lines form no part of the claimed design.

1 Claim, 3 Drawing Sheets



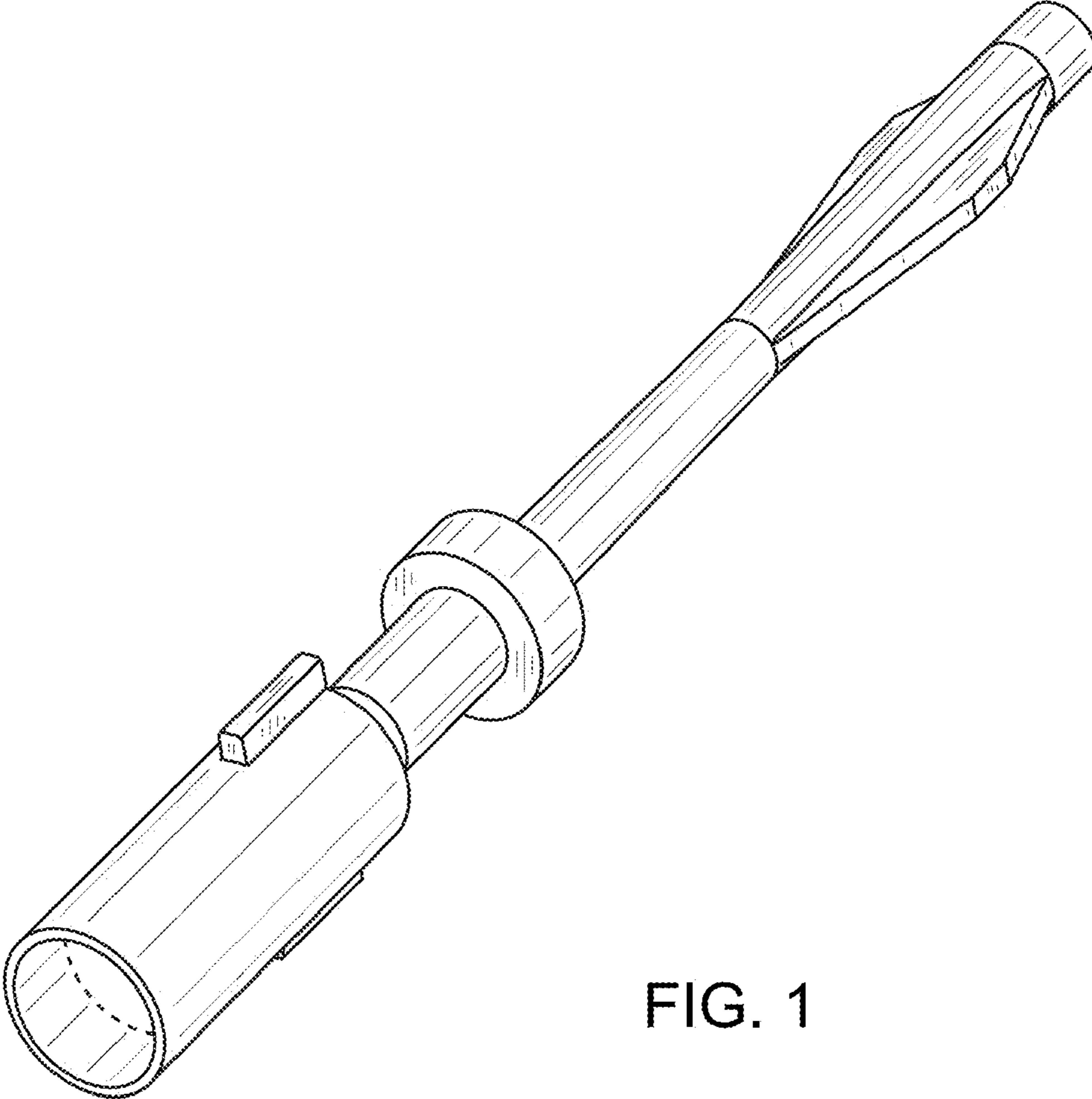


FIG. 1

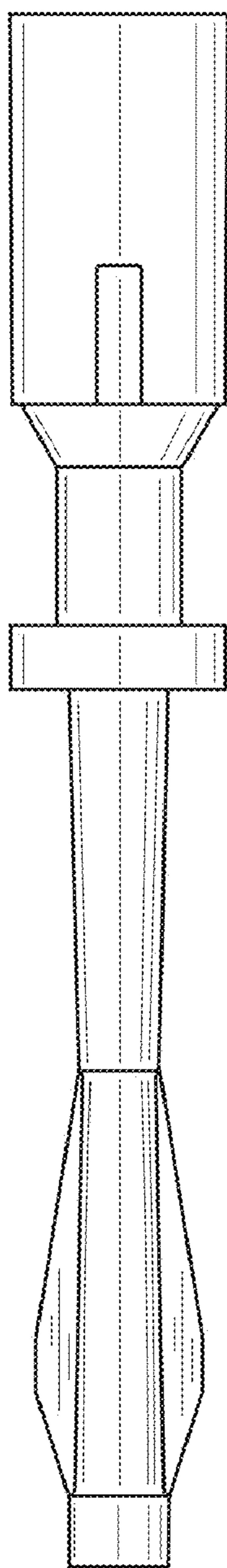


FIG. 2

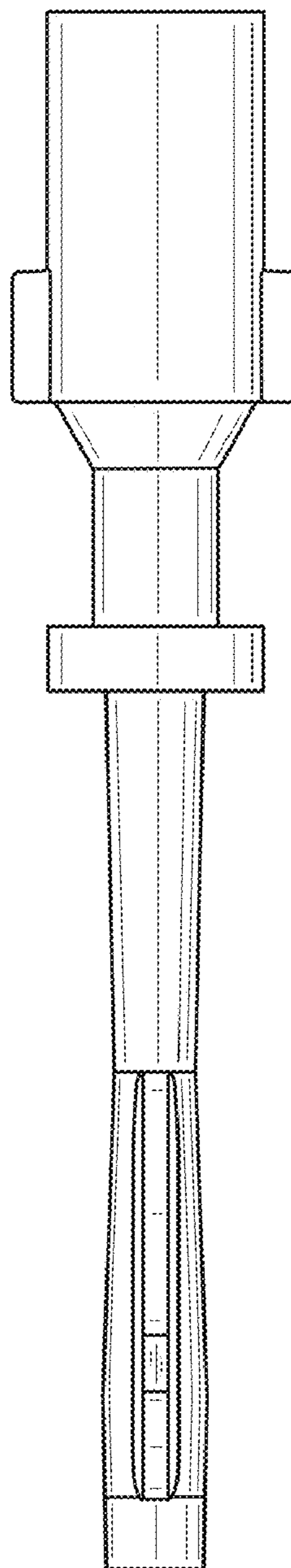


FIG. 3

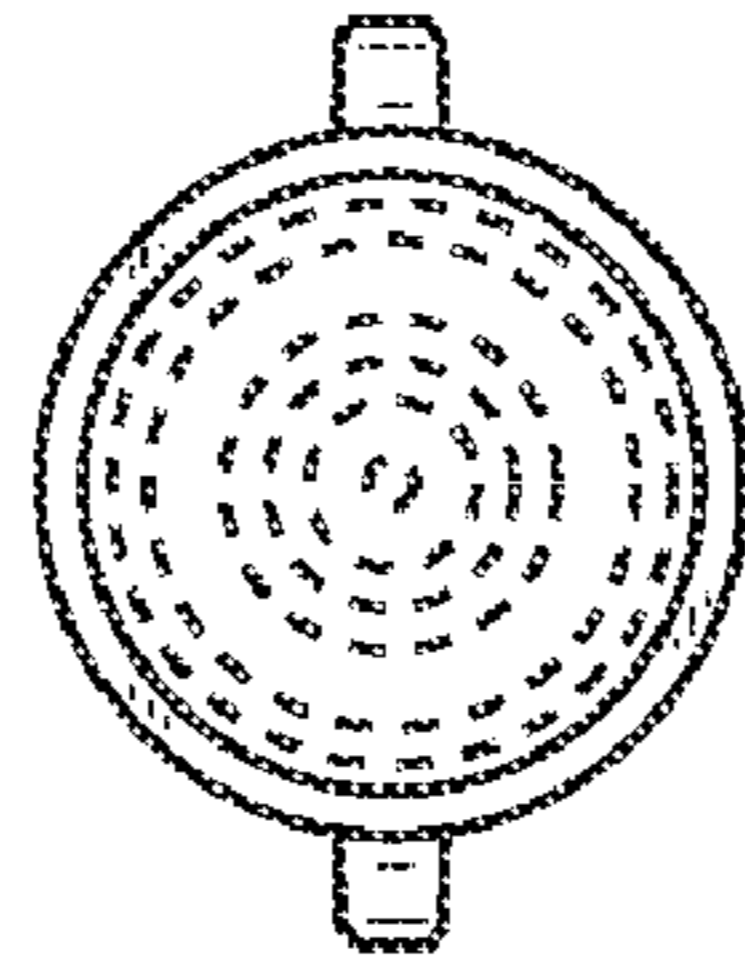


FIG. 4

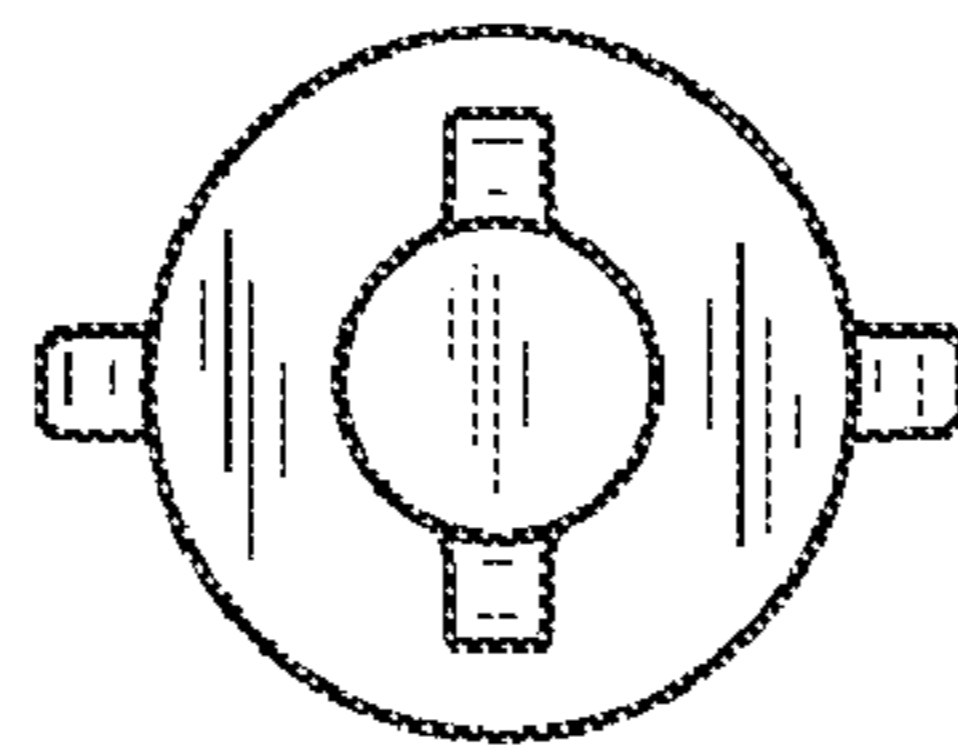


FIG. 5