



US00D673285S

(12) **United States Design Patent**  
**Rivero**

(10) **Patent No.:** **US D673,285 S**

(45) **Date of Patent:** **\*\* Dec. 25, 2012**

(54) **MULTI-HEAD MASSAGE APPARATUS**

(76) Inventor: **Jhonattan Rivero**, Miami, FL (US)

(\*\*) Term: **14 Years**

(21) Appl. No.: **29/408,785**

(22) Filed: **Dec. 16, 2011**

(51) **LOC (9) Cl.** ..... **28-03**

(52) **U.S. Cl.** ..... **D24/215**

(58) **Field of Classification Search** ..... D24/200,  
D24/211-215, 141; 601/27, 28, 33, 40, 46,  
601/47, 48, 63, 80, 99, 104, 112, 113, 114,  
601/119, 122, 125, 129, 134, 135, 137, DIG. 12,  
601/DIG. 13, DIG. 14, DIG. 15, DIG. 16,  
601/DIG. 17

See application file for complete search history.

(56) **References Cited**

**U.S. PATENT DOCUMENTS**

4,210,134	A	*	7/1980	Okazaki et al.	.....	601/134
D366,703	S	*	1/1996	Huen	.....	D24/214
D403,430	S	*	12/1998	Chien	.....	D24/211
D418,920	S	*	1/2000	Chen	.....	D24/211
D419,681	S	*	1/2000	Chen	.....	D24/211
D435,661	S	*	12/2000	Chen	.....	D24/211

D438,975	S	*	3/2001	Chen	.....	D24/211
D523,962	S	*	6/2006	Huang	.....	D24/214
D576,285	S	*	9/2008	Kennedy	.....	D24/209
D633,217	S	*	2/2011	Robertson et al.	.....	D24/215
D633,218	S	*	2/2011	Robertson et al.	.....	D24/215
D648,441	S	*	11/2011	Rivero	.....	D24/200

\* cited by examiner

*Primary Examiner* — Sandra Snapp

(74) *Attorney, Agent, or Firm* — Malloy & Malloy, P.L.

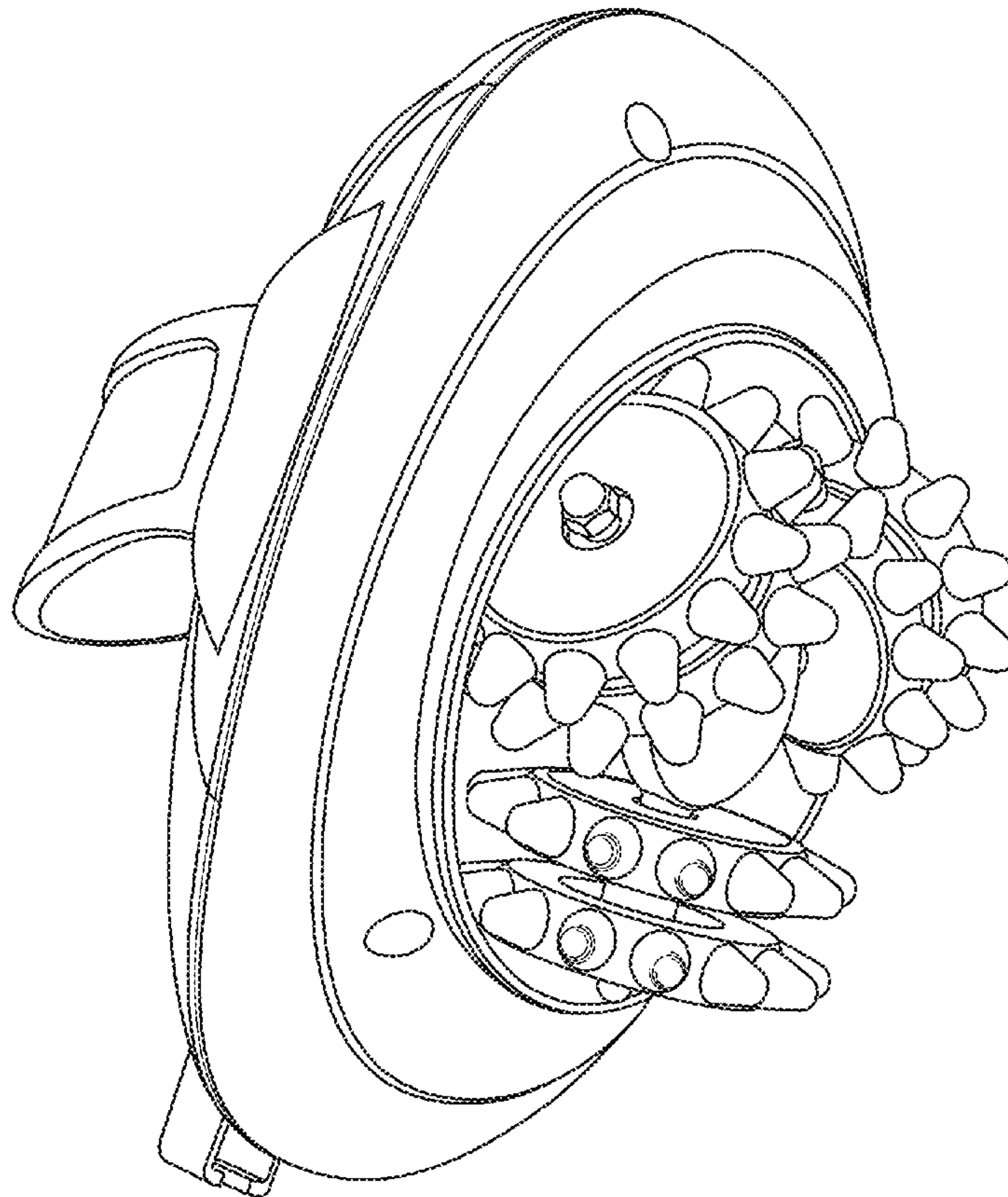
(57) **CLAIM**

The ornamental design for a multi-head massage apparatus, as shown and described.

**DESCRIPTION**

FIG. 1 is a top perspective view illustrating my design for a multi-head massage apparatus;  
 FIG. 2 is a bottom perspective view thereof;  
 FIG. 3 is a top plan view thereof;  
 FIG. 4 is a left side view thereof;  
 FIG. 5 is a front view thereof;  
 FIG. 6 is a right side view thereof;  
 FIG. 7 is a rear view thereof;  
 FIG. 8 is a bottom plan view thereof; and,  
 FIG. 9 is an exploded perspective view thereof.

**1 Claim, 7 Drawing Sheets**



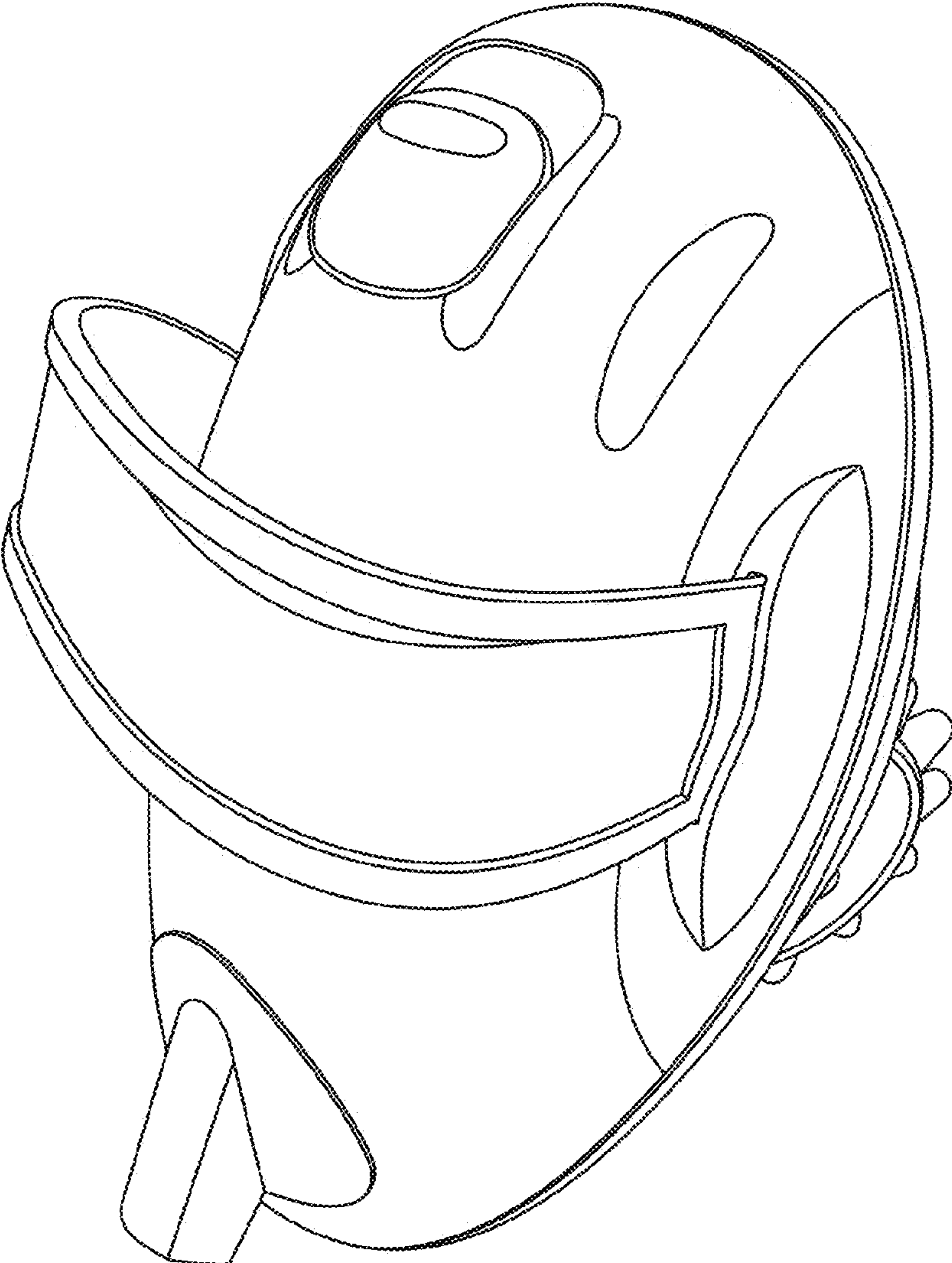


FIG. 1

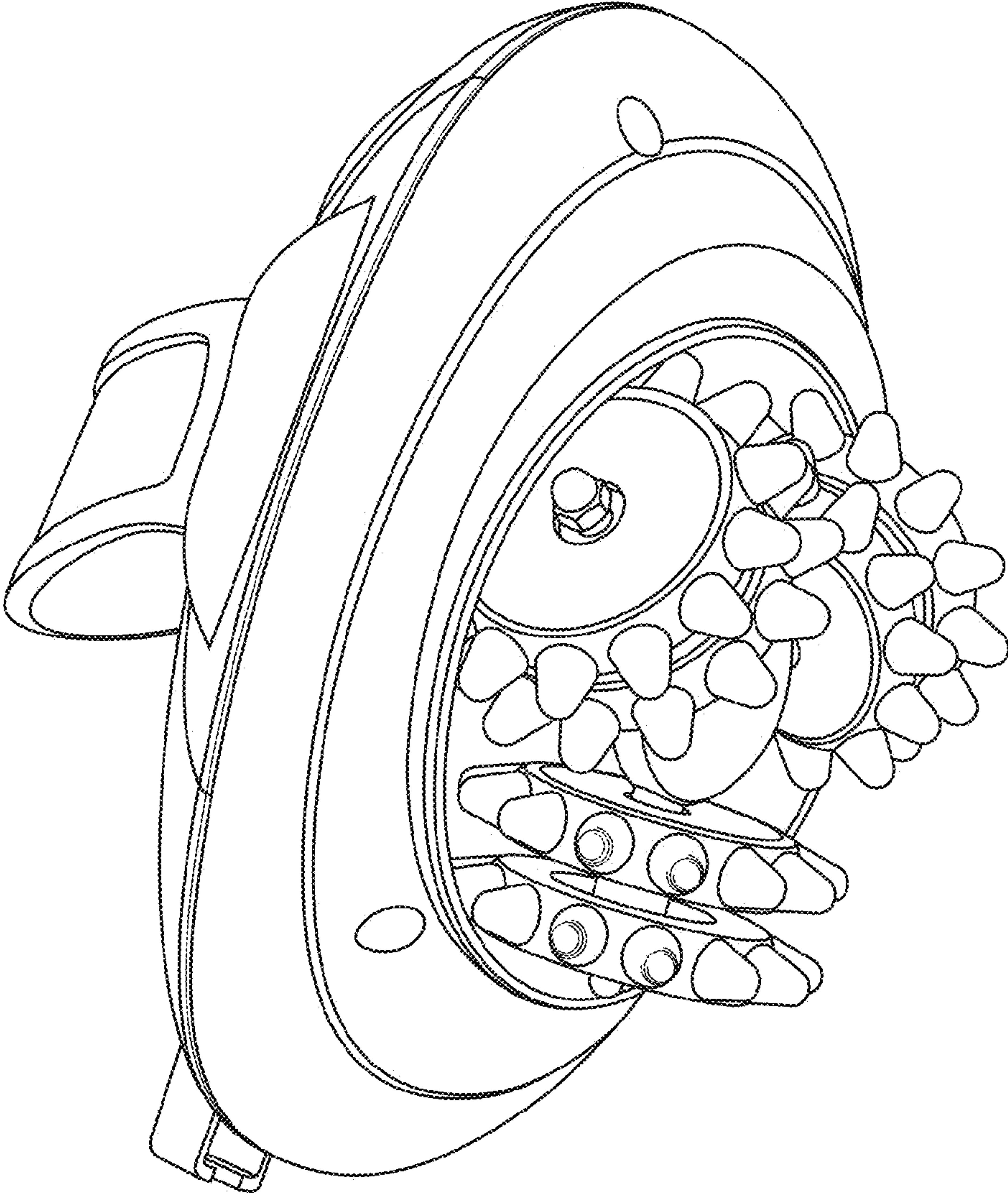


FIG. 2

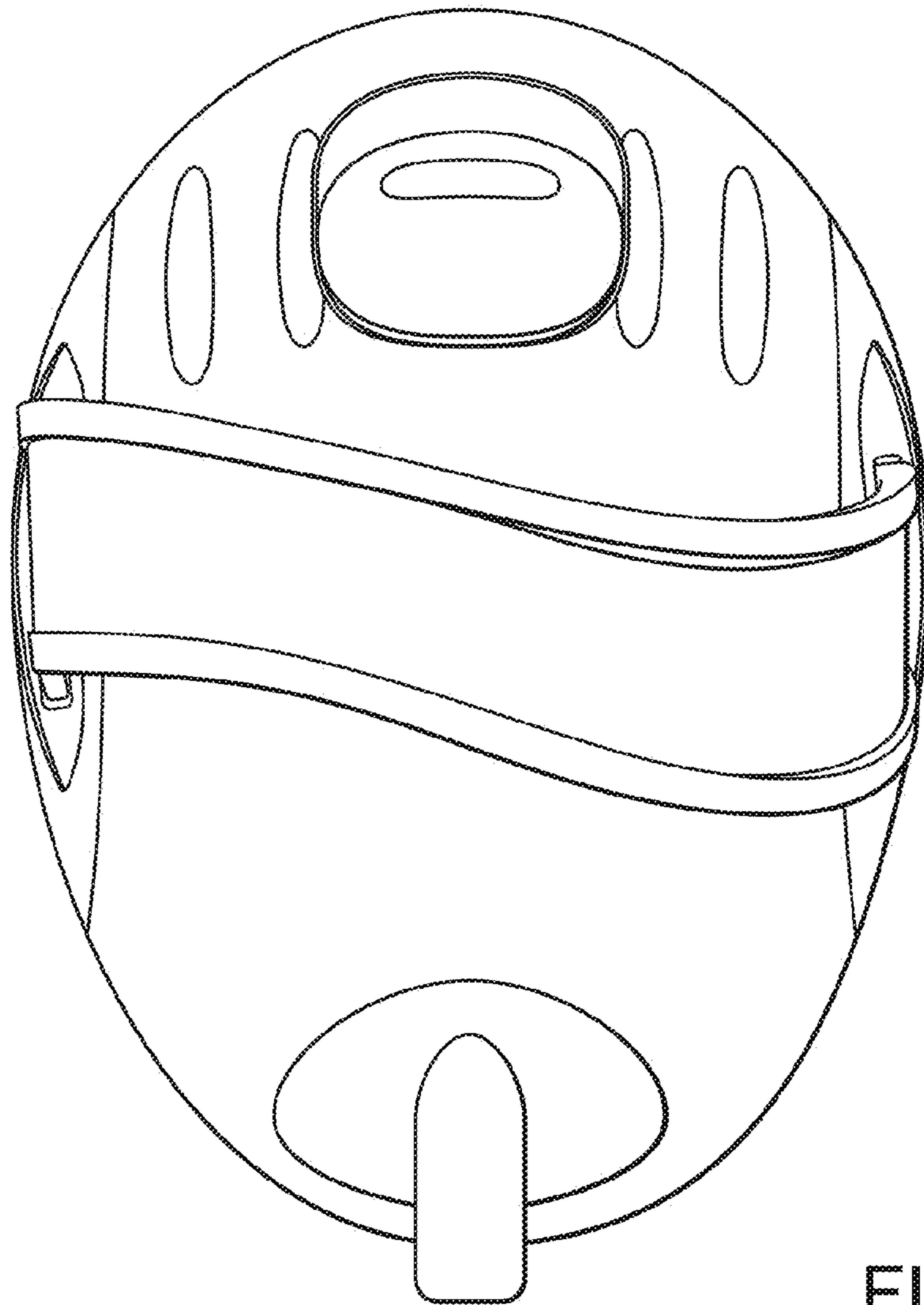


FIG. 3



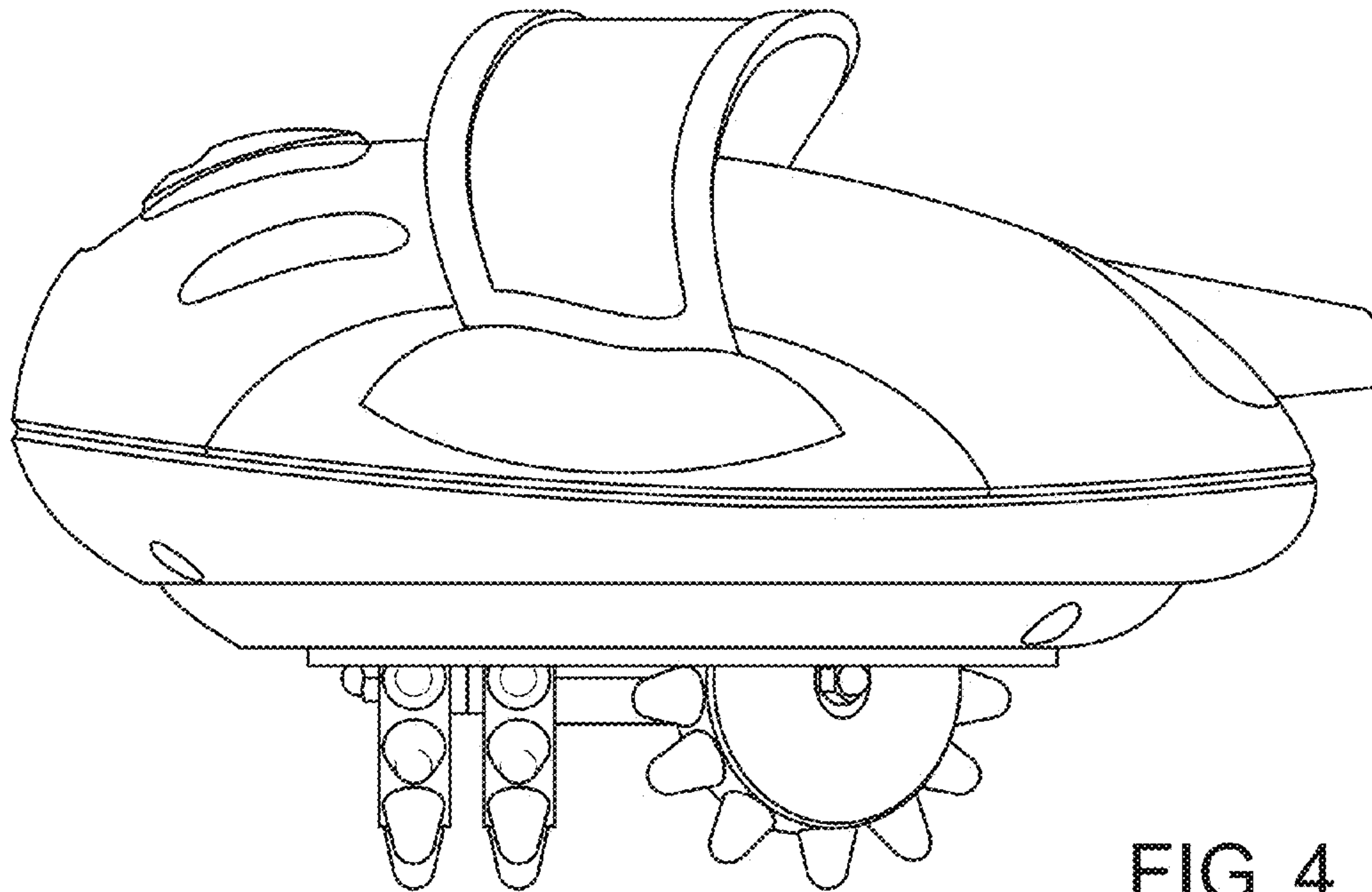


FIG. 4

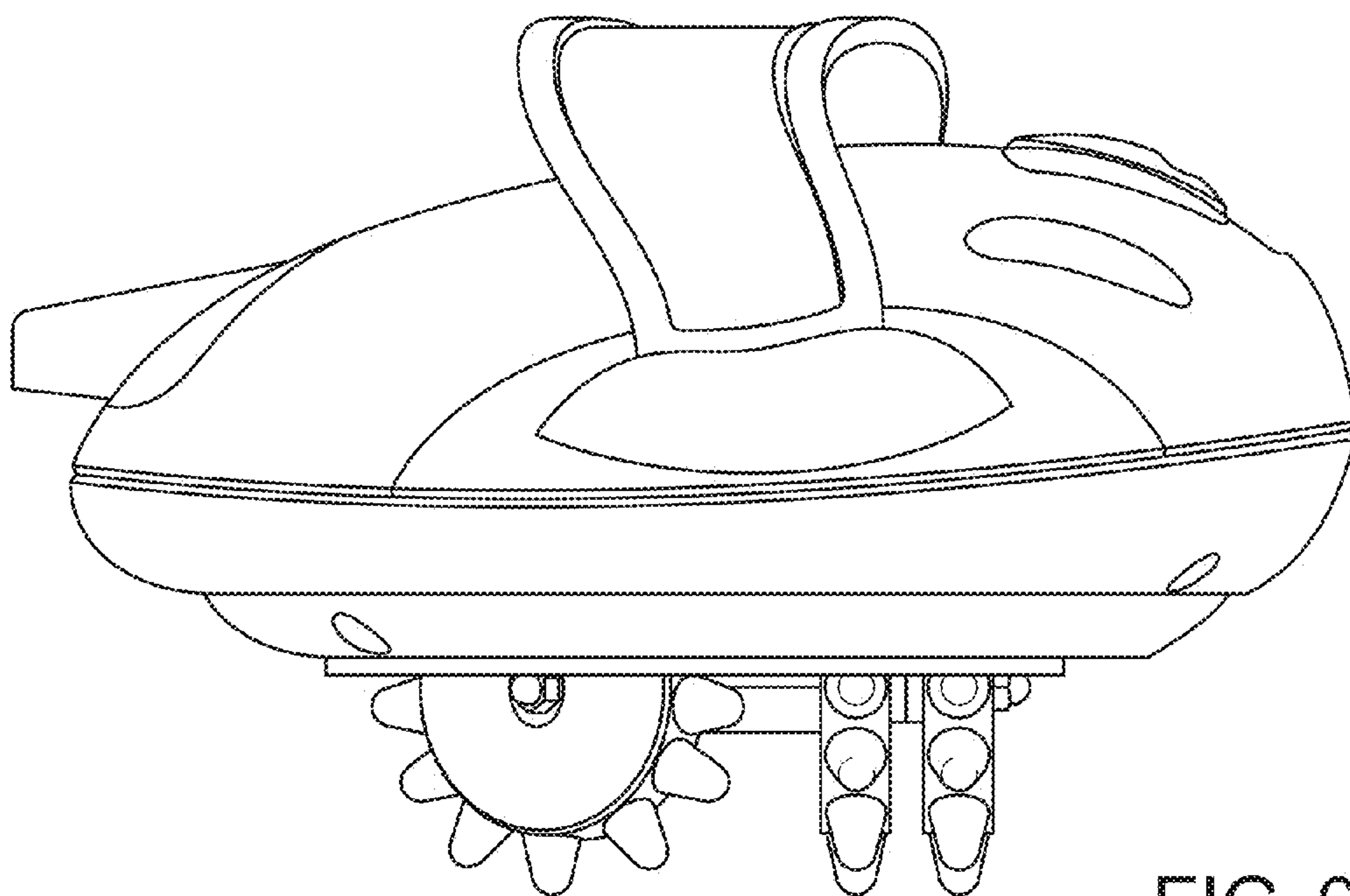


FIG. 6

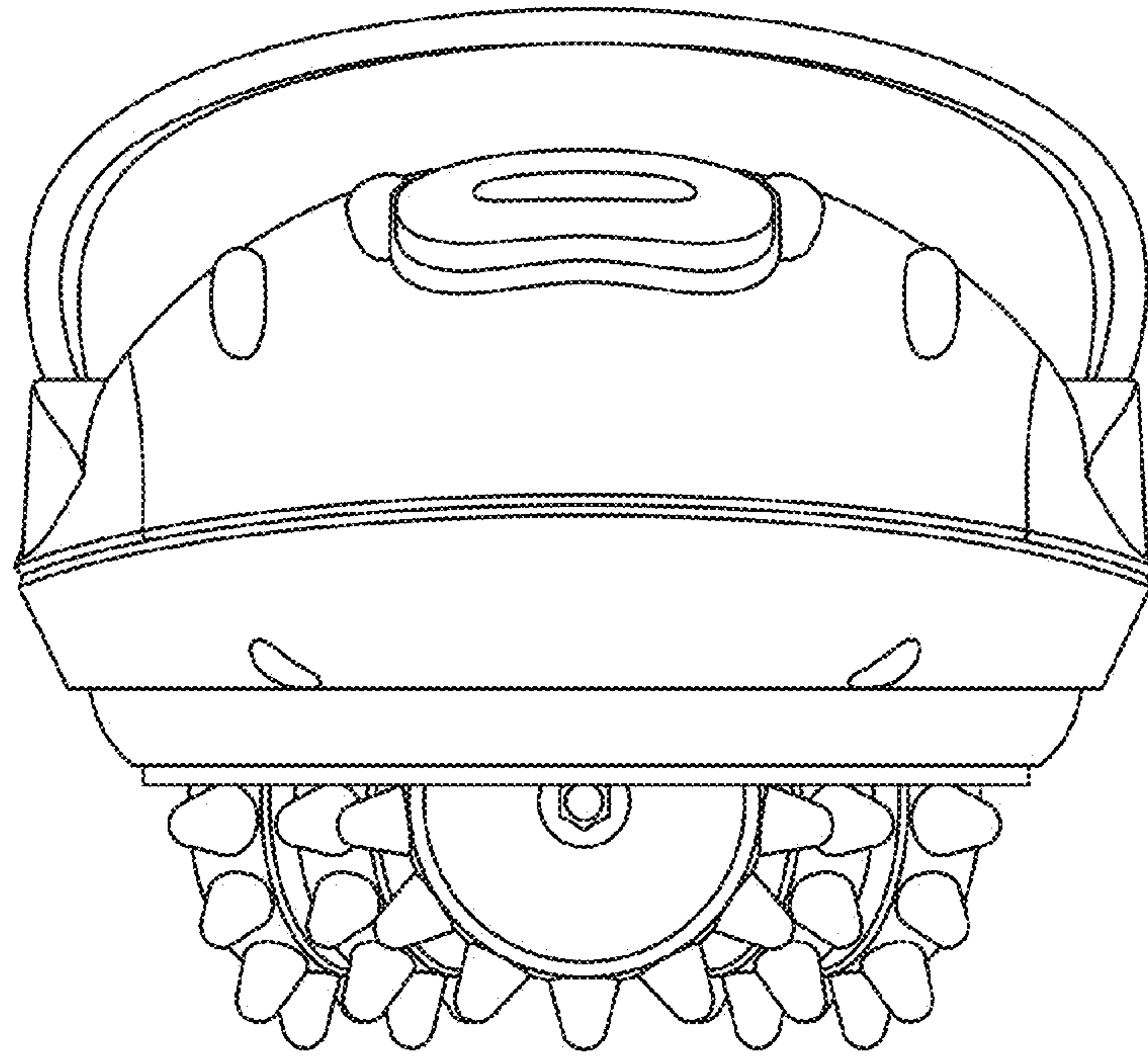


FIG. 5

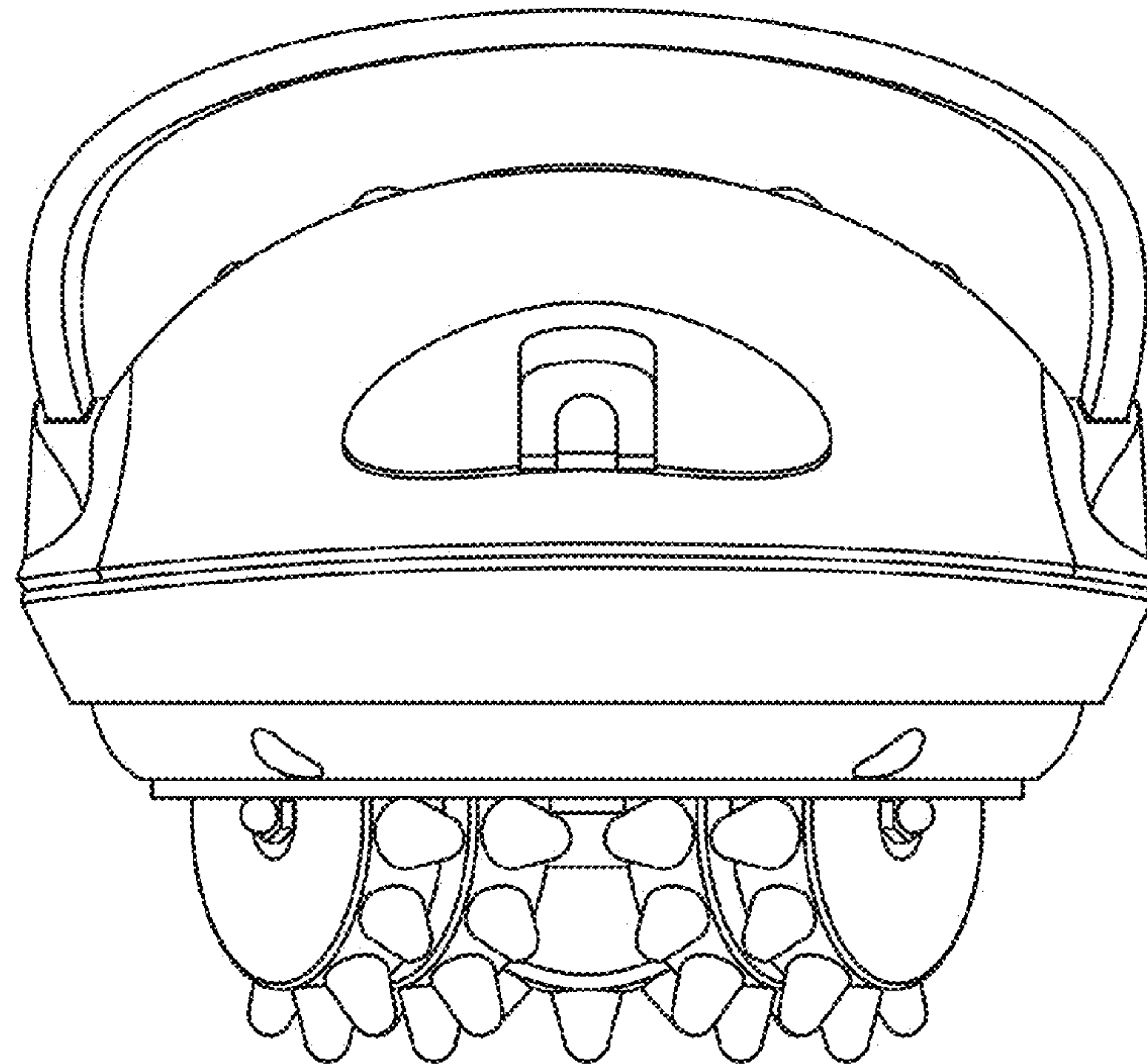


FIG. 7

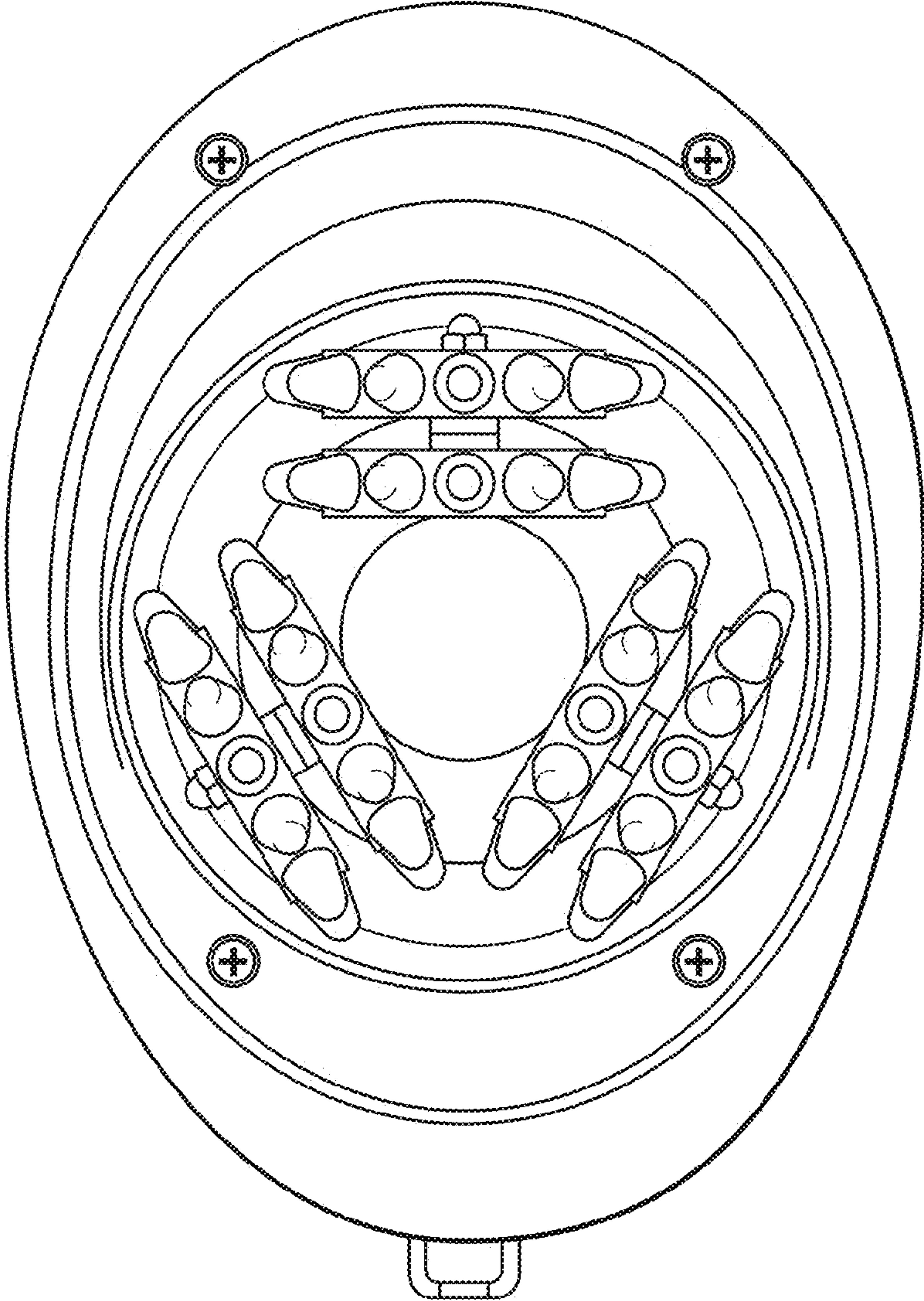


FIG. 8

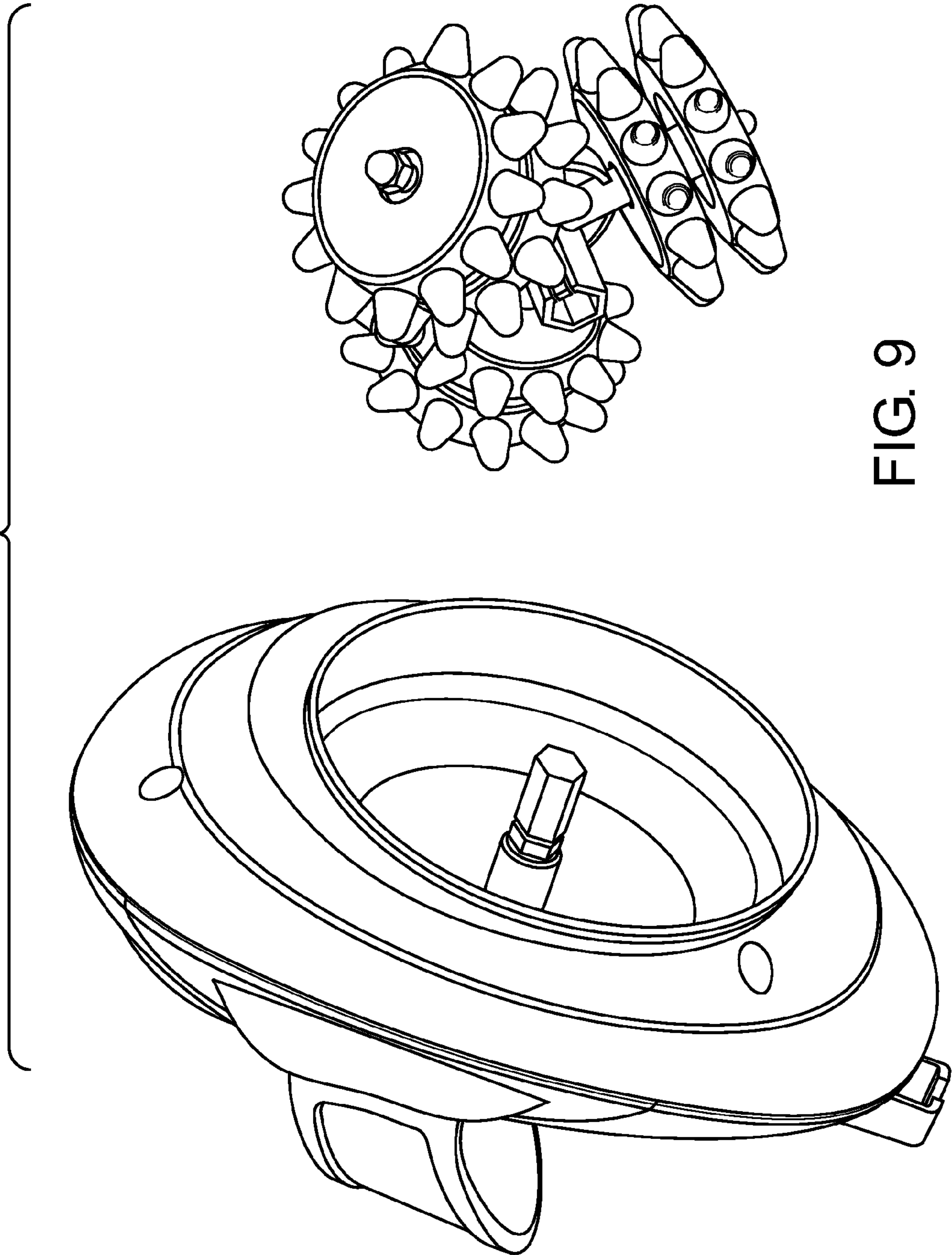


FIG. 9