



US00D673284S

(12) **United States Design Patent**
Lowsky

(10) **Patent No.:** **US D673,284 S**

(45) **Date of Patent:** **** Dec. 25, 2012**

(54) **ORAL-MOTOR THERAPY DEVICE**

(75) Inventor: **Evan D. Lowsky**, Columbia, SC (US)

(73) Assignee: **ARK Therapeutic Services, Inc.**,
Lugoff, SC (US)

(**) Term: **14 Years**

(21) Appl. No.: **29/390,533**

(22) Filed: **Apr. 26, 2011**

(51) **LOC (9) Cl.** **28-03**

(52) **U.S. Cl.** **D24/214**

(58) **Field of Classification Search** D24/200,
D24/211–215, 141, 193, 194; 601/27, 28,
601/33, 40, 46, 47, 48, 63, 80, 99, 104, 112,
601/113, 114, 119, 122, 125, 129, 134, 135,
601/137, DIG. 12, DIG. 13, DIG. 14, DIG. 15,
601/DIG. 16, DIG. 17; D4/104

See application file for complete search history.

(56) **References Cited**

U.S. PATENT DOCUMENTS

D136,301 S *	9/1943	Clafin	D24/194
D170,051 S *	7/1953	Colm	D24/194
D469,879 S *	2/2003	Chen	D24/211
D492,037 S *	6/2004	Chien	D24/211
D522,658 S *	6/2006	Schiavoni	D24/194
D539,430 S	3/2007	Lowsky et al.		
D552,745 S	10/2007	Beckman		
D656,621 S *	3/2012	Matsushita	D24/215
D657,065 S *	4/2012	Matsushita	D24/215
D662,210 S *	6/2012	Rhodes et al.	D24/194

* cited by examiner

Primary Examiner — Sandra Snapp

(74) *Attorney, Agent, or Firm* — Nelson, Mullins, Riley & Scarborough LLP

(57) **CLAIM**

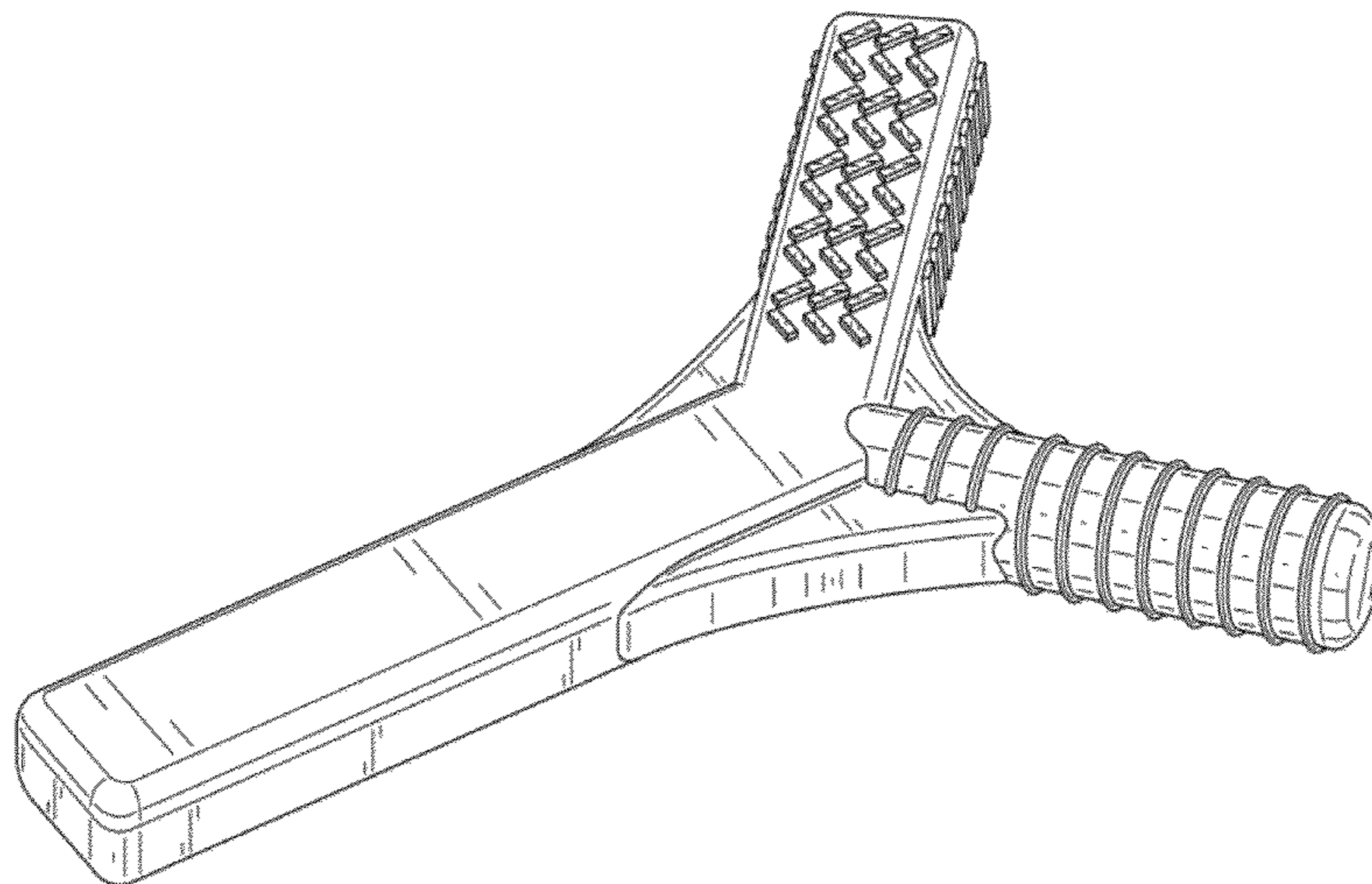
The ornamental design for an oral-motor therapy device, as shown and described.

DESCRIPTION

FIG. 1 is a front perspective view of a new, original, and ornamental design of an oral-motor therapy device in accordance with an embodiment of the present invention; FIG. 2 is a front elevation view thereof; FIG. 3 is a rear elevation view thereof; FIG. 4 is a left side elevation view thereof; FIG. 5 is a right side elevation view thereof; FIG. 6 is a top plan view thereof; FIG. 7 is a bottom plan view thereof; FIG. 8 is a front perspective view of a new, original, and ornamental design of an oral-motor therapy device in accordance with an embodiment of the present invention; FIG. 9 is a front elevation view thereof; FIG. 10 is a rear elevation view thereof; FIG. 11 is a left side elevation view thereof; FIG. 12 is a right side elevation view thereof; FIG. 13 is a top plan view thereof; and, FIG. 14 is a bottom plan view thereof.

The broken lines shown in the accompanying drawings are for illustrative purposes only and form no part of the claimed design.

1 Claim, 10 Drawing Sheets



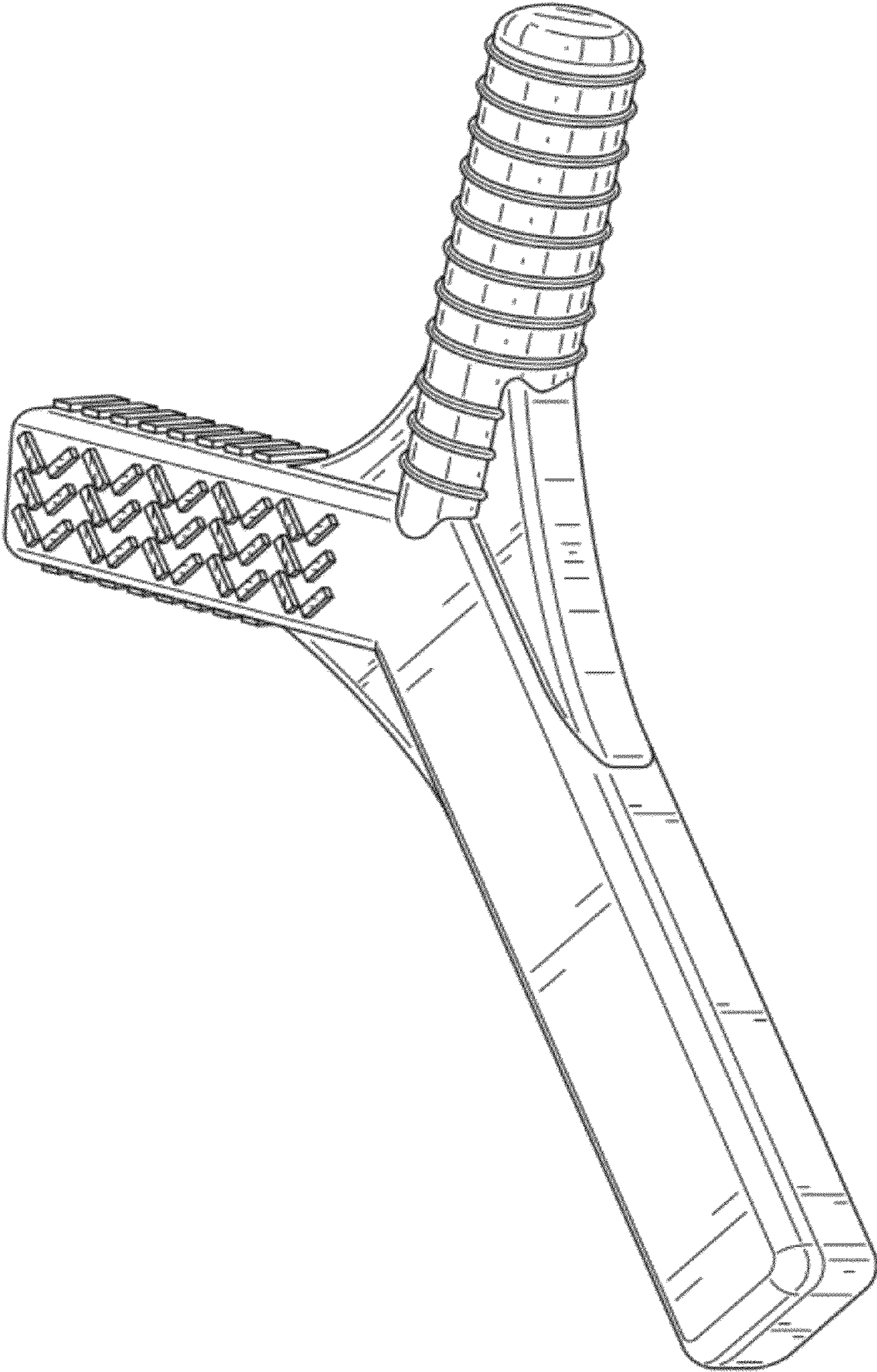


FIG. 1

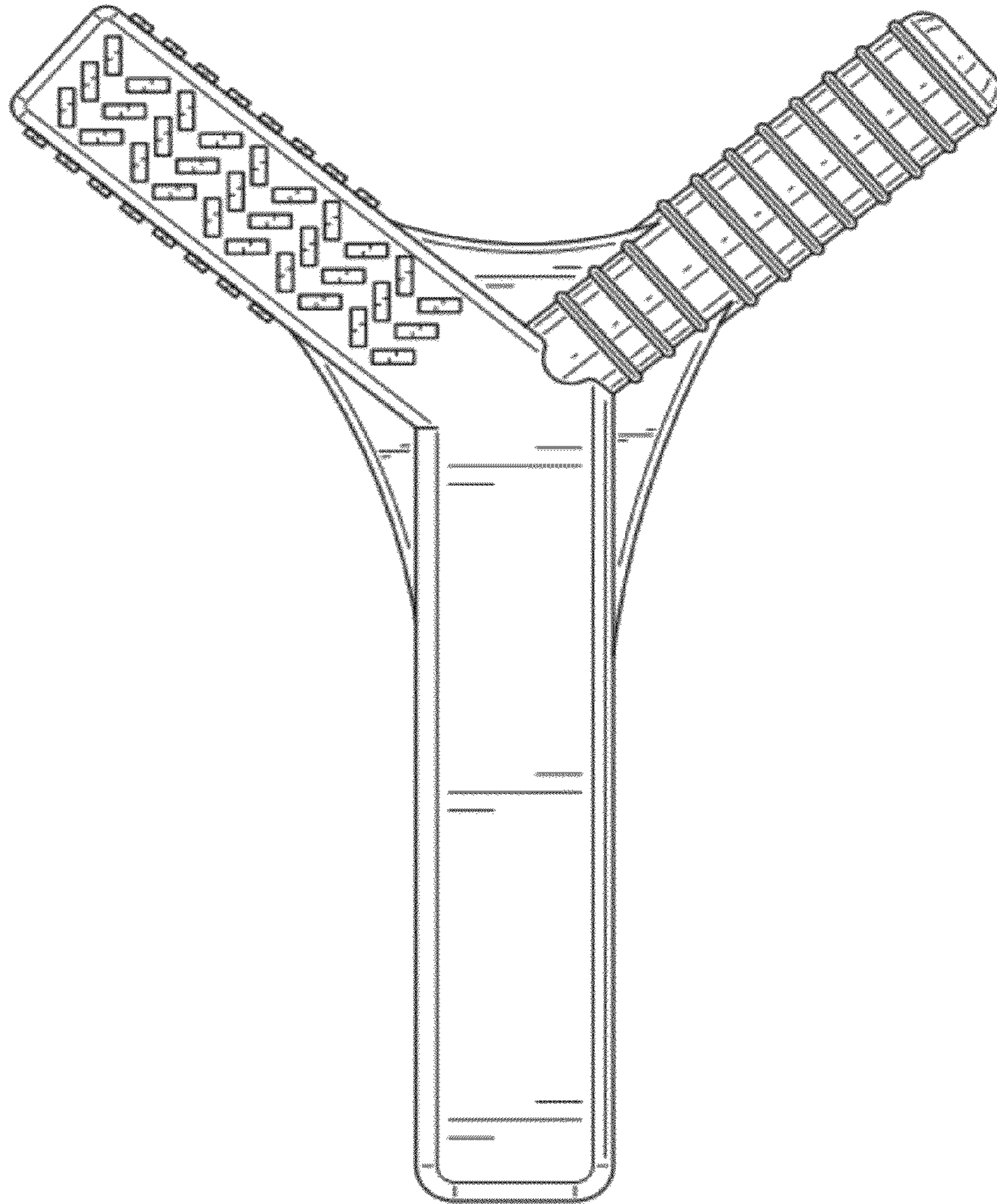


FIG. 2

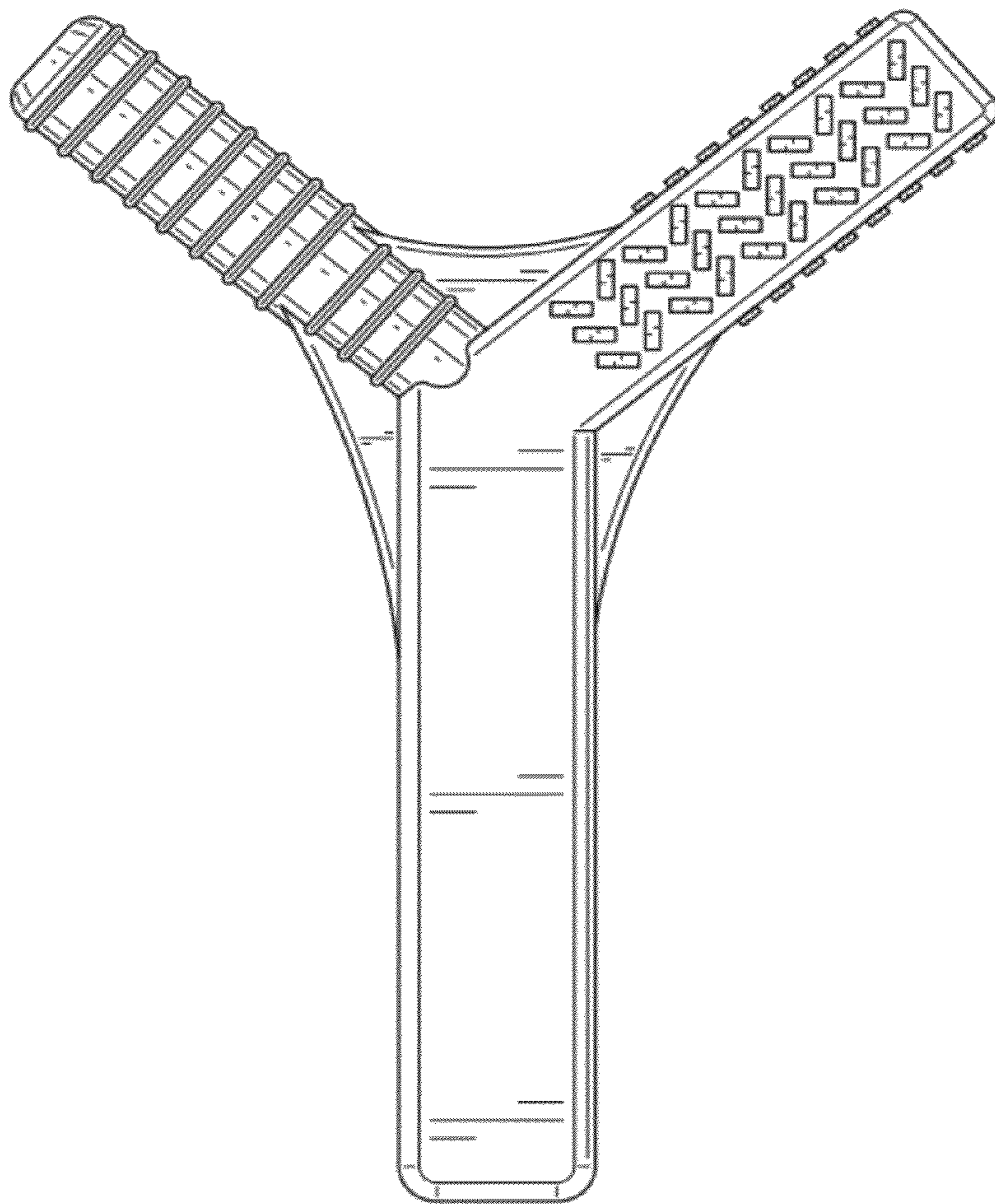


FIG. 3

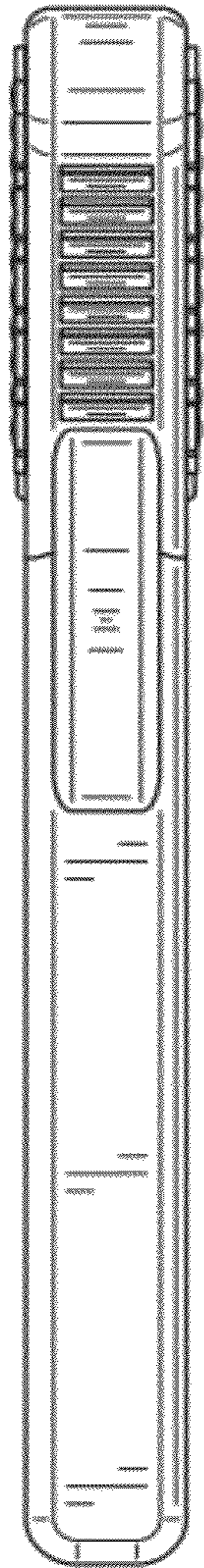


FIG. 4

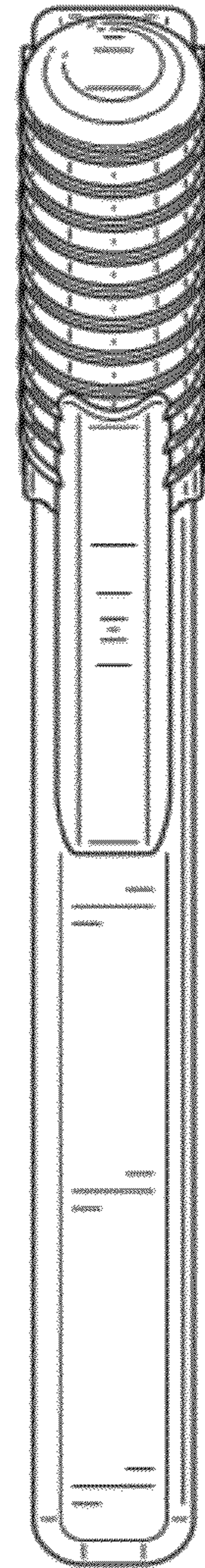


FIG. 5

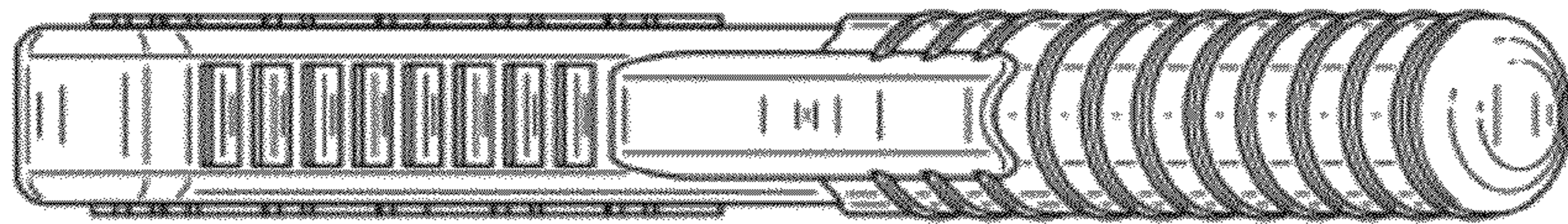


FIG. 6

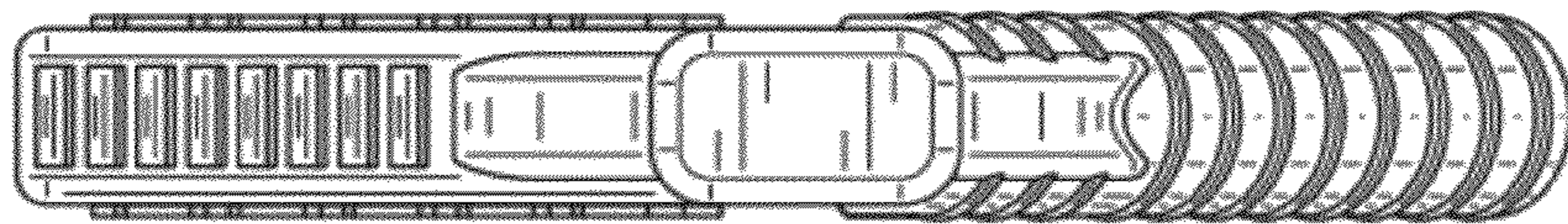


FIG. 7

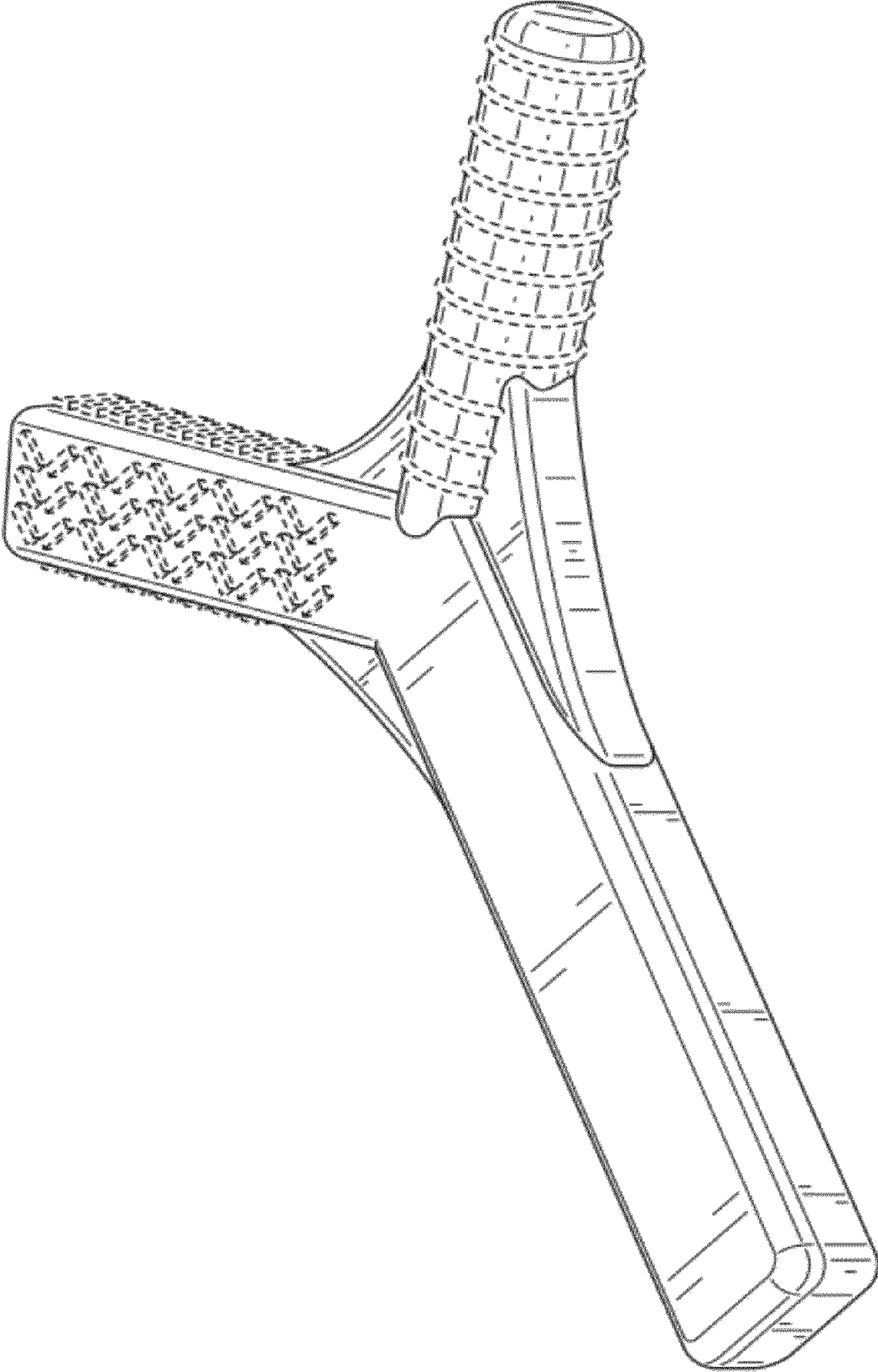


FIG. 8

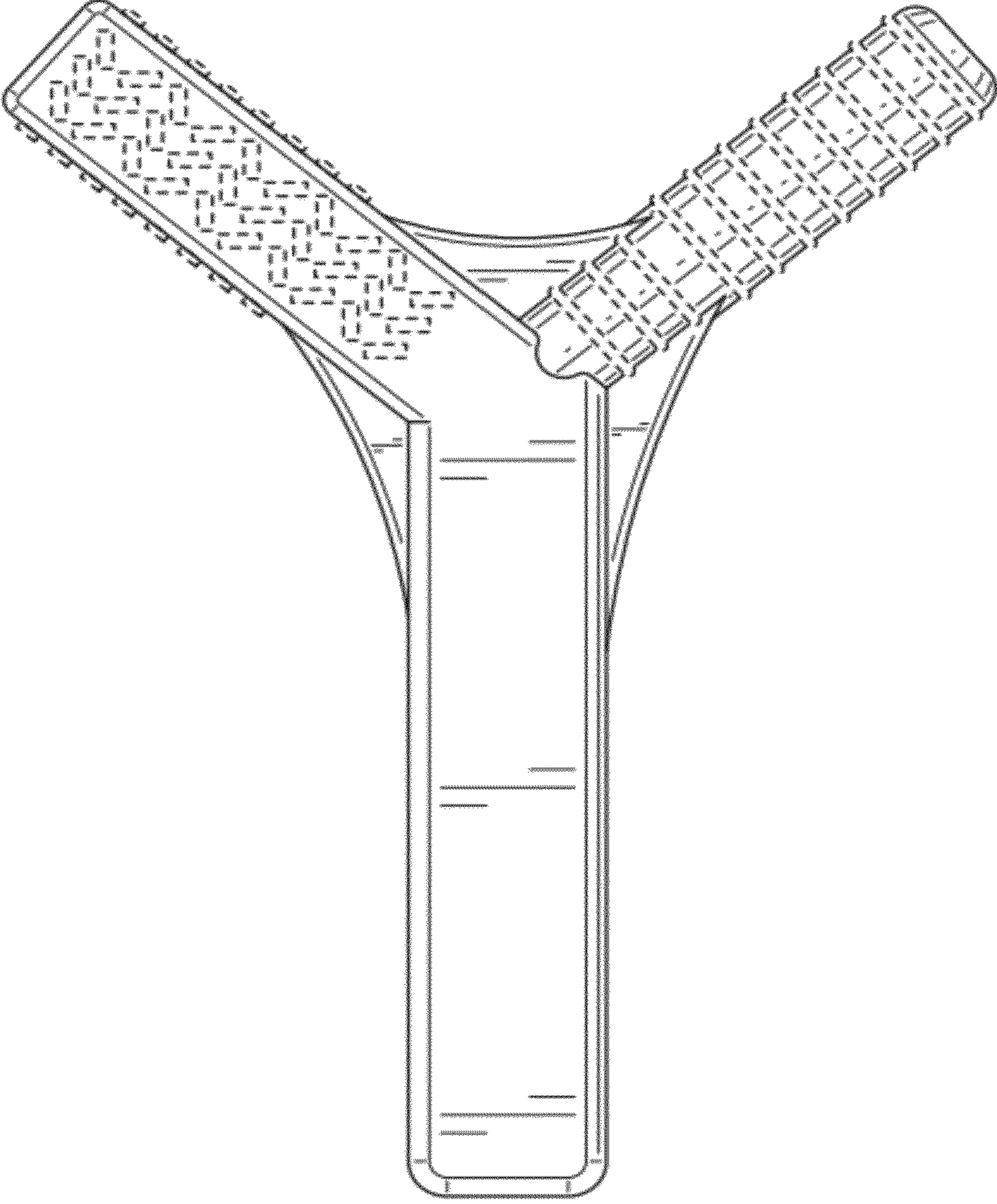


FIG. 9

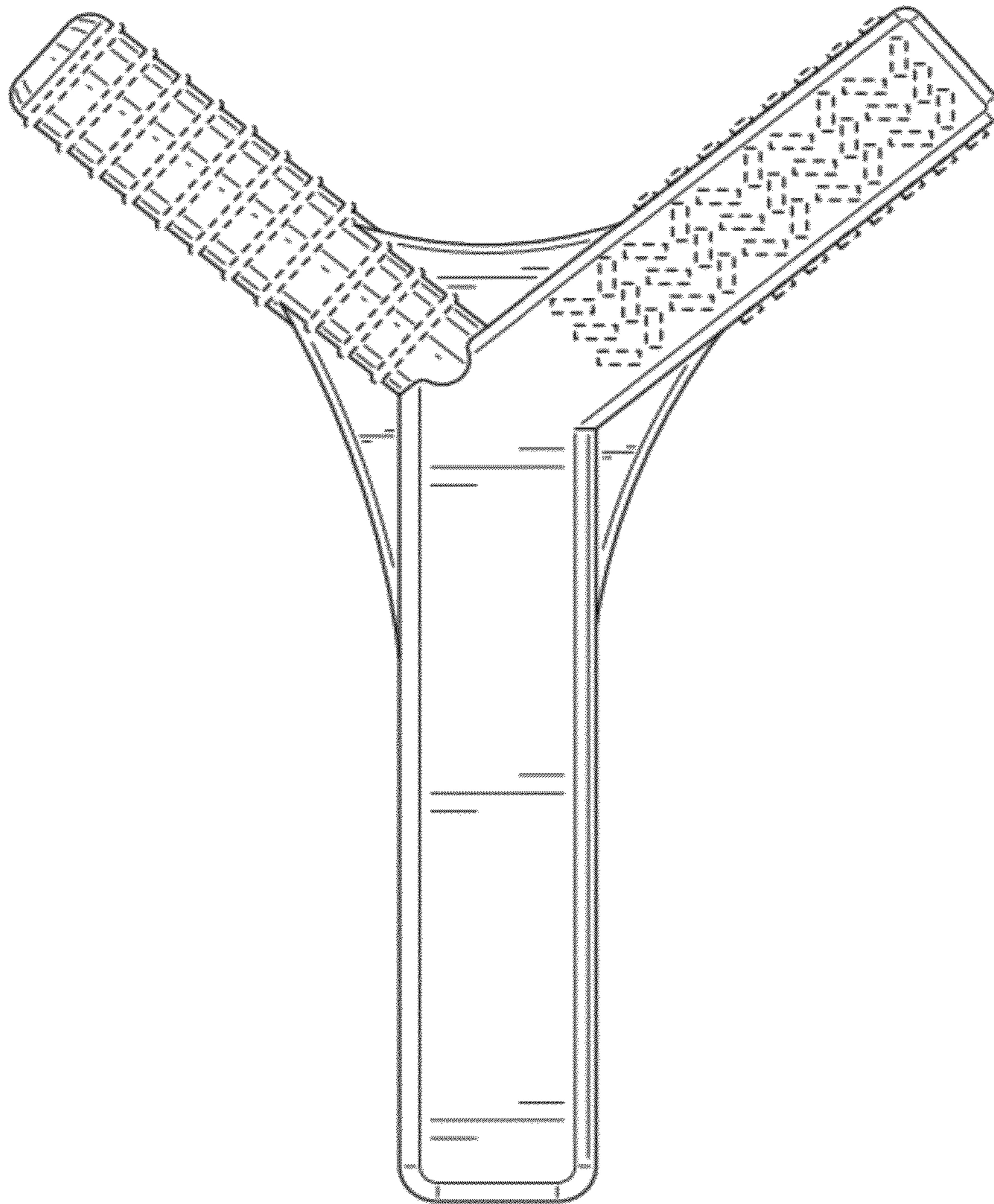


FIG. 10

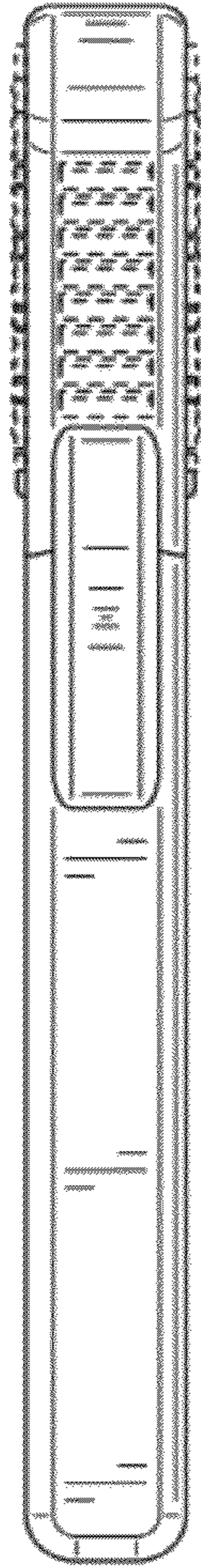


FIG. 11

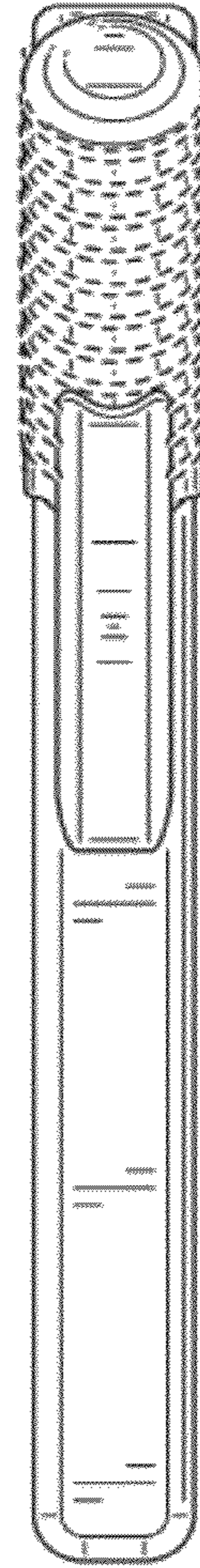


FIG. 12

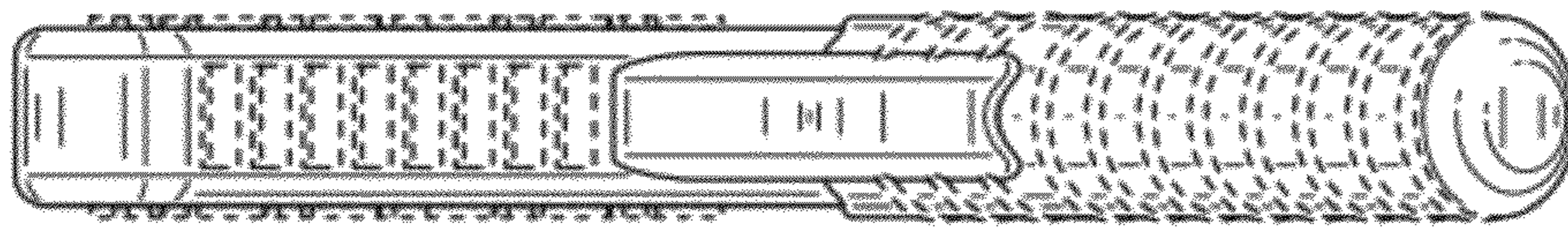


FIG. 13

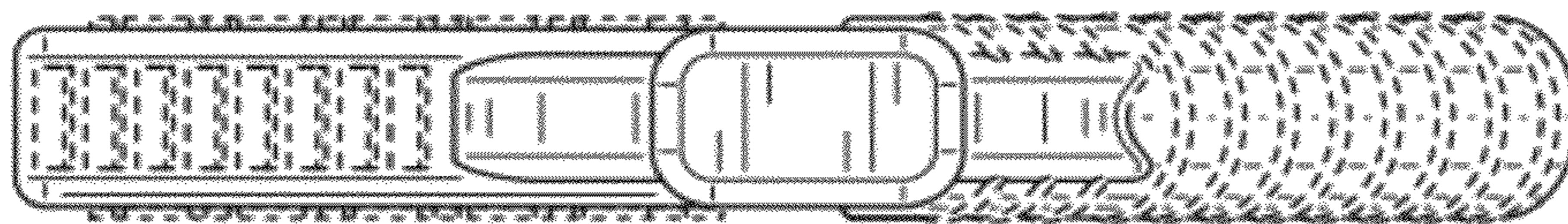


FIG. 14