



US00D673279S

(12) **United States Design Patent**  
**Huttner**

(10) **Patent No.:** **US D673,279 S**

(45) **Date of Patent:** **\*\* Dec. 25, 2012**

(54) **MEDICATED HEEL BANDAGE**

(75) Inventor: **Cathlyn J. Huttner**, Aurora, CO (US)

(73) Assignee: **No More Dry Skin, LLC**, Aurora, CO (US)

(\*\*) Term: **14 Years**

(21) Appl. No.: **29/422,385**

(22) Filed: **May 18, 2012**

(51) **LOC (9) Cl.** ..... **24-04**

(52) **U.S. Cl.** ..... **D24/189**

(58) **Field of Classification Search** ..... D24/189;  
427/2.31; 428/42.2, 43, 57, 121, 156, 171,  
428/187, 338, 904.4, 906; 602/41-43, 47,  
602/48, 52, 54, 57, 59  
See application file for complete search history.

(56) **References Cited**

**U.S. PATENT DOCUMENTS**

2,645,222	A *	7/1953	Capossela	.....	602/65
D413,696	S *	9/1999	Velecky	.....	D29/120.1
D448,850	S *	10/2001	Fabricant	.....	D24/189
6,460,275	B1 *	10/2002	Bennett et al.	.....	36/144
6,838,589	B2 *	1/2005	Liedtke et al.	.....	602/58
D503,982	S *	4/2005	Liedtke et al.	.....	D24/189
D516,729	S *	3/2006	Liedtke et al.	.....	D24/189
7,030,288	B2 *	4/2006	Liedtke et al.	.....	602/58
7,049,478	B1 *	5/2006	Smith	.....	602/42
7,087,806	B2 *	8/2006	Scheinberg et al.	.....	602/41

7,091,394	B2 *	8/2006	Kolte et al.	.....	602/42
D537,948	S *	3/2007	Smith	.....	D24/189
7,518,031	B2 *	4/2009	Liedtke et al.	.....	602/58
7,858,838	B2 *	12/2010	Holm et al.	.....	602/58
D634,433	S *	3/2011	Hobbs	.....	D24/171
8,084,665	B2 *	12/2011	Liedtke et al.	.....	602/58

\* cited by examiner

*Primary Examiner* — T. Chase Nelson

*Assistant Examiner* — Michelle E Wilson

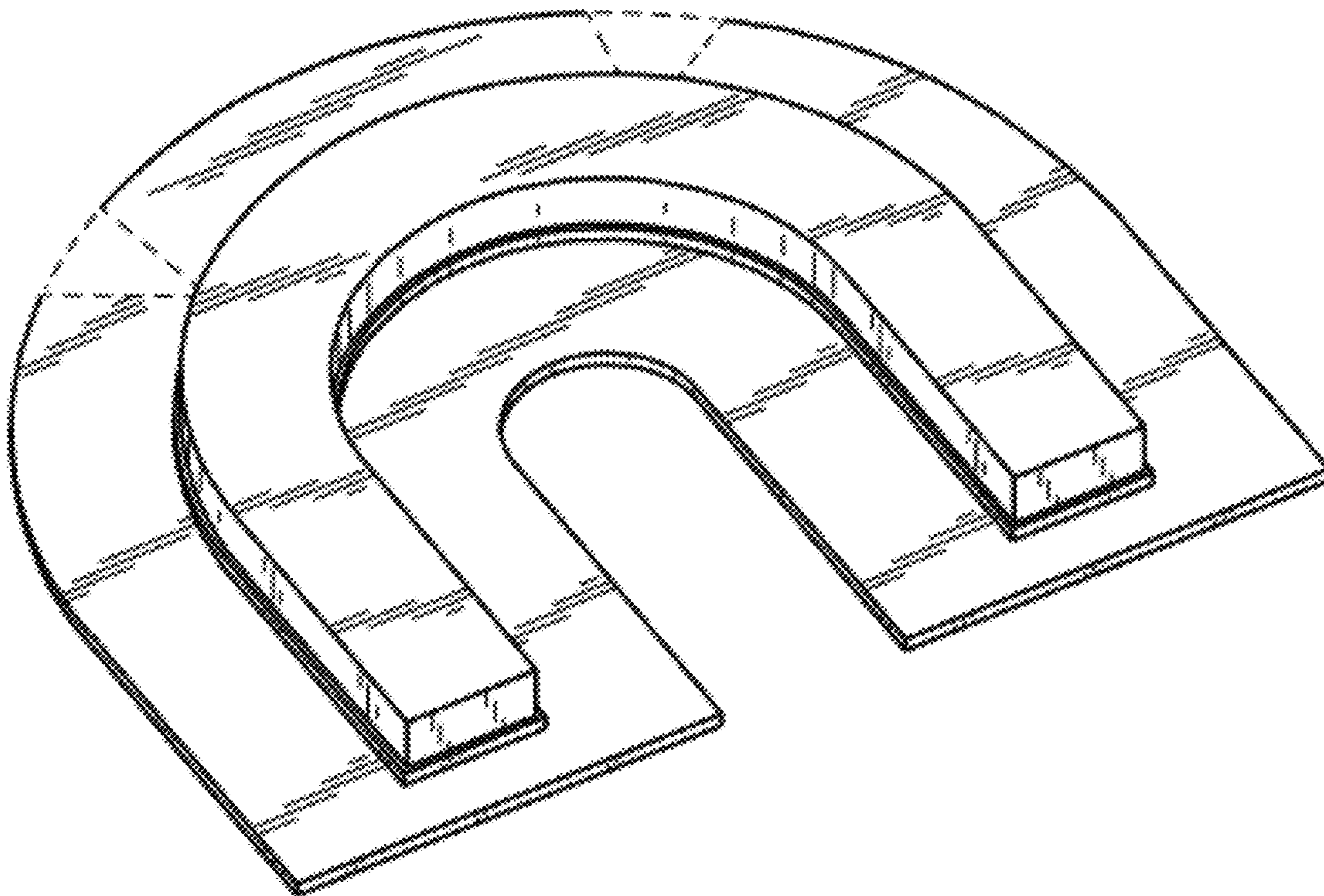
(57) **CLAIM**

I claim the ornamental design for a medicated heel bandage, as shown and described.

**DESCRIPTION**

FIG. 1 is a perspective view of a medicated heel bandage, showing my new design in a flat configuration;  
 FIG. 2 is a perspective view thereof, illustrated with two cut-out portions removed and the bandage in a folded configuration;  
 FIG. 3 is a top plan view of FIG. 1;  
 FIG. 4 is a bottom plan view of FIG. 1;  
 FIG. 5 is a front elevational view of FIG. 1;  
 FIG. 6 is a rear elevational view of FIG. 1; and,  
 FIG. 7 is a left-side elevational view of FIG. 1, the right-side elevational view being a mirror image thereof.  
 The broken lines showing cut-out portions of the bandage in the figures depict environmental matter and form no part of the claimed design.

**1 Claim, 3 Drawing Sheets**



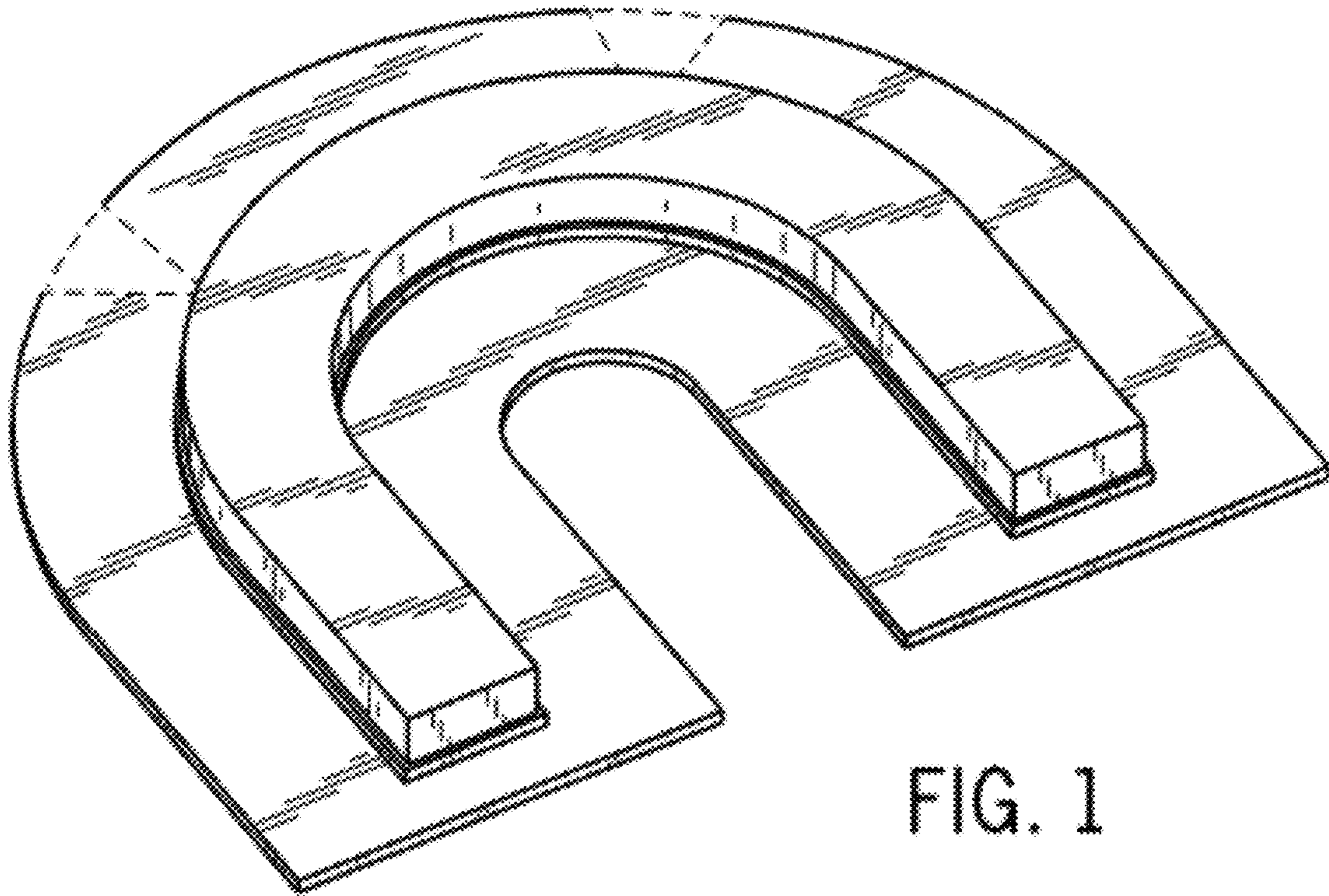


FIG. 1

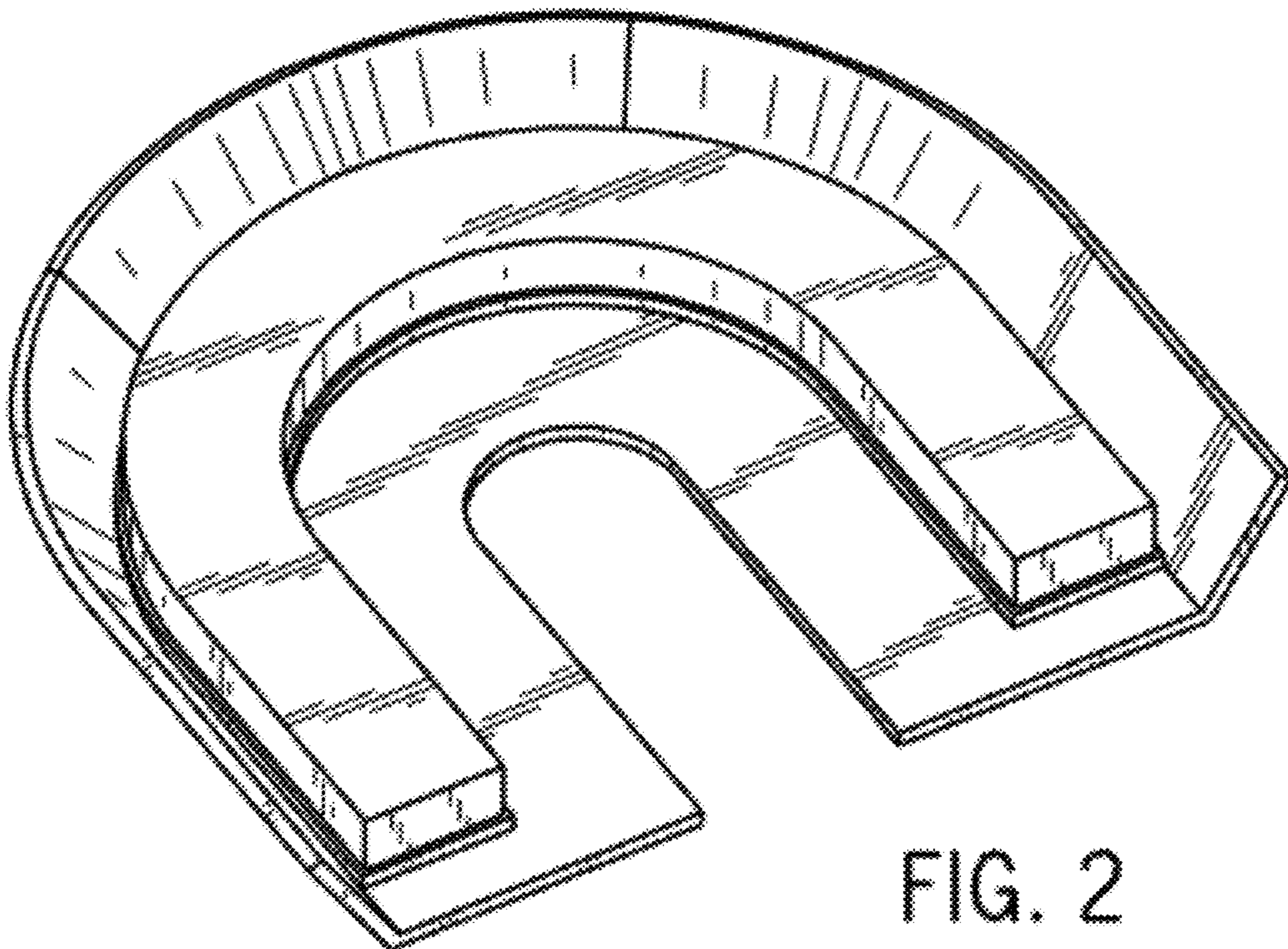
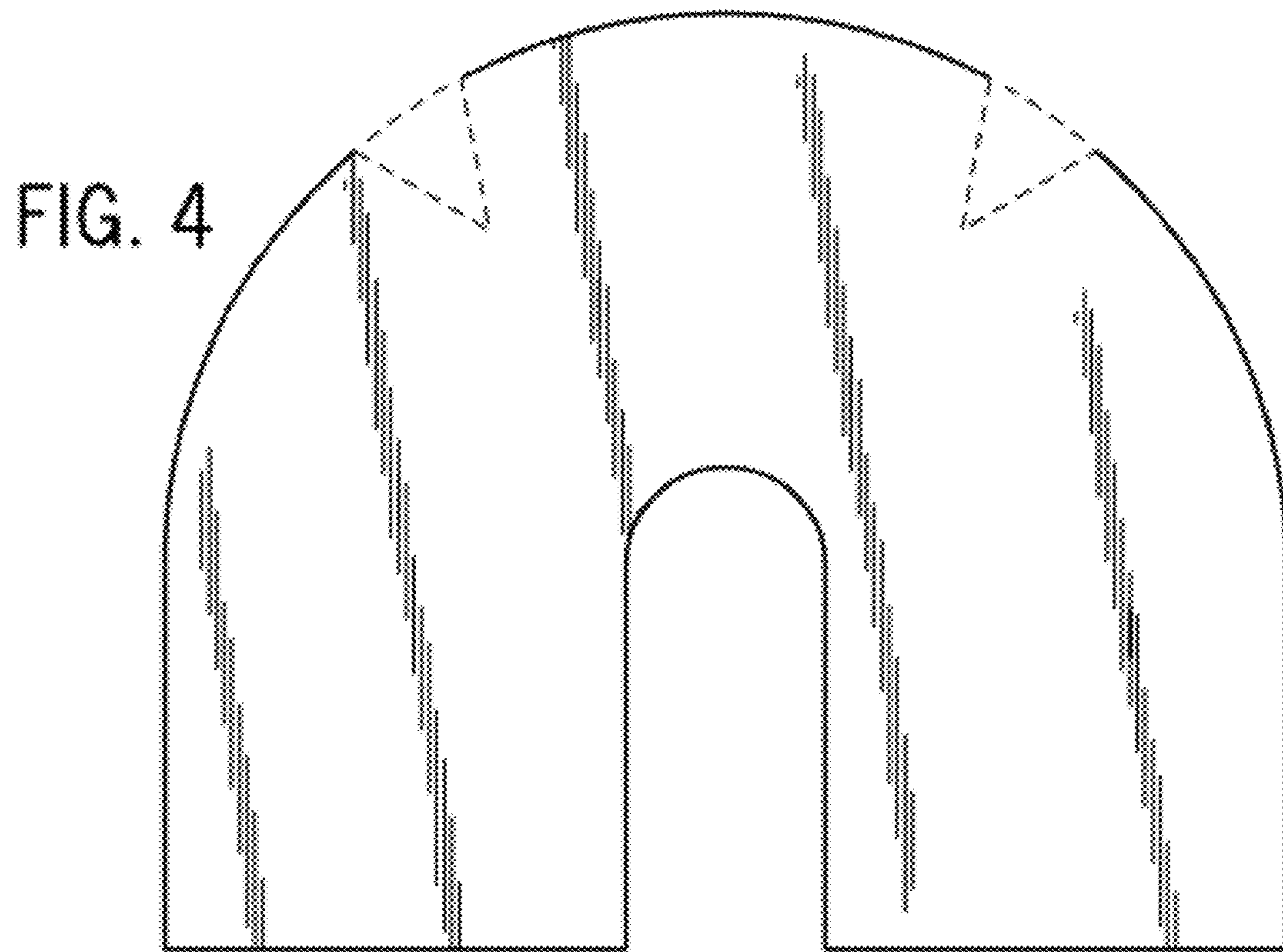
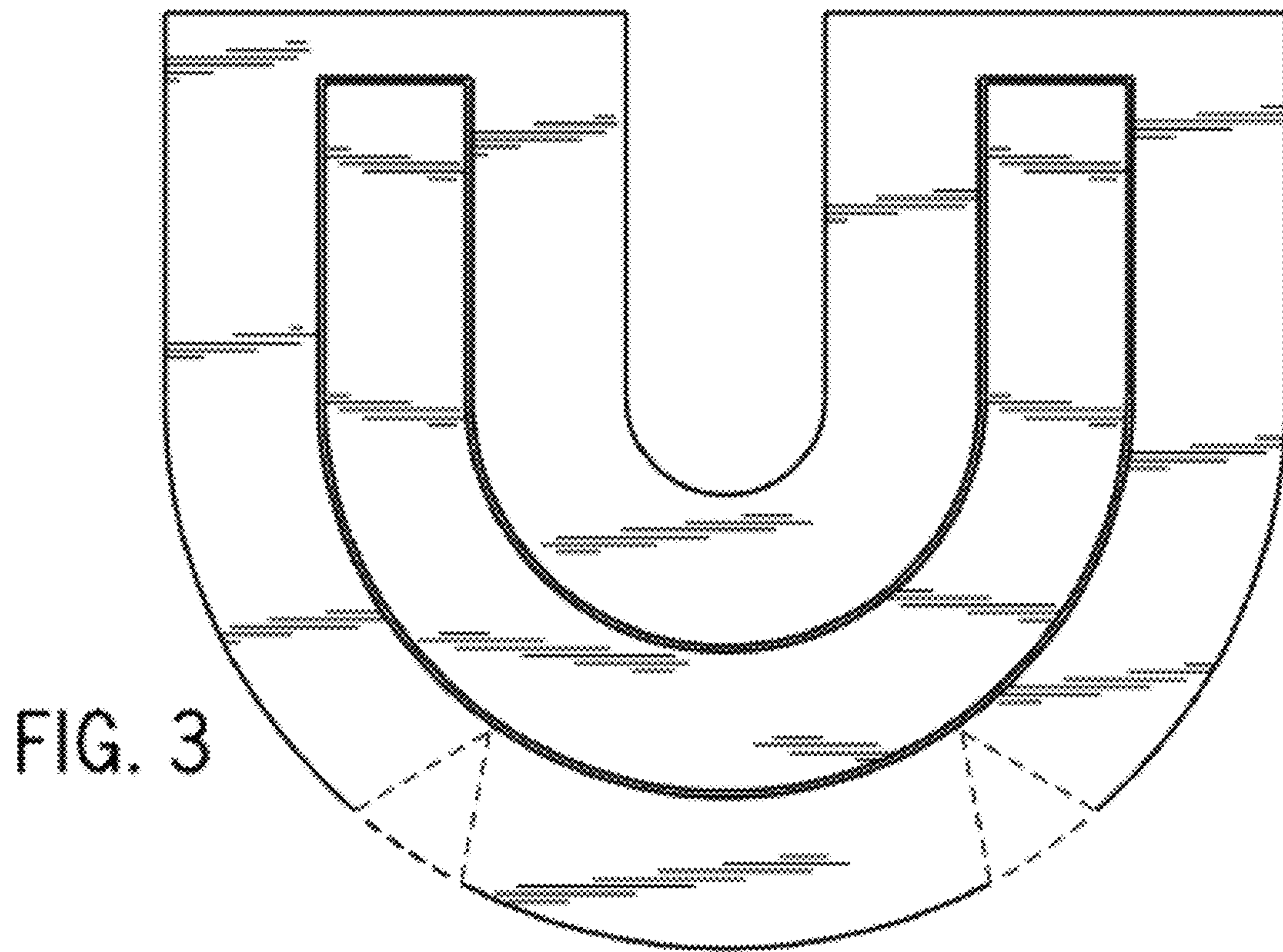


FIG. 2



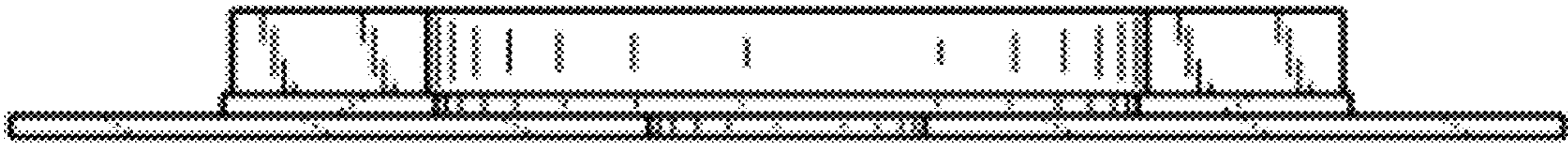


FIG. 5

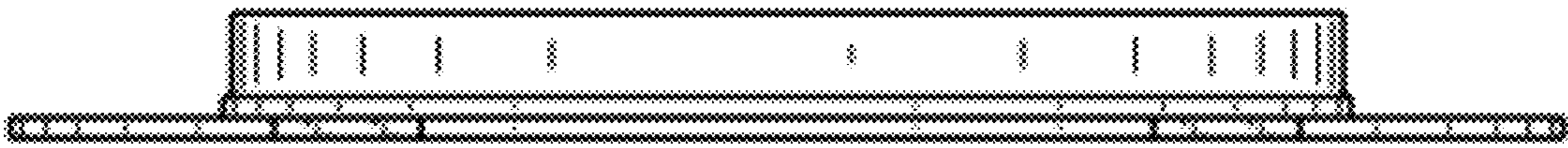


FIG. 6

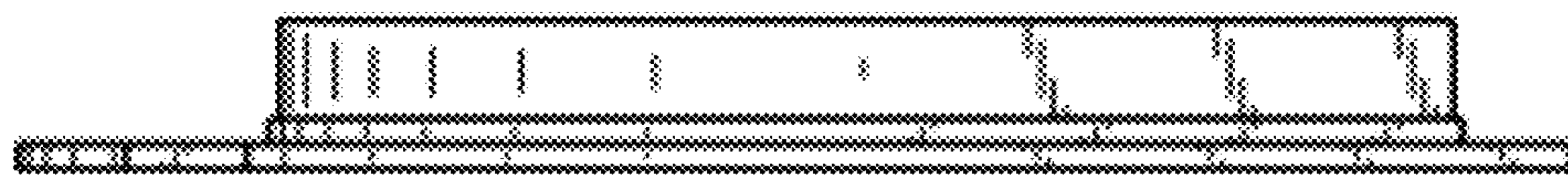


FIG. 7