



US00D673275S

(12) **United States Design Patent**
Armstrong et al.

(10) **Patent No.:** **US D673,275 S**

(45) **Date of Patent:** **** Dec. 25, 2012**

(54) **PACEMAKER GUARD**

(75) Inventors: **Frank Armstrong**, Waldwick, NJ (US);
Sharon M. Spinnler, Waldwick, NJ
(US)

(73) Assignee: **Frank Armstrong**, Waldwick, NJ (US)

(**) Term: **14 Years**

(21) Appl. No.: **29/408,502**

(22) Filed: **Dec. 13, 2011**

(51) **LOC (9) Cl.** **24-01**

(52) **U.S. Cl.** **D24/167**

(58) **Field of Classification Search** D24/165-168,
D24/107, 186, 187, 155, 190; D10/46, 78,
D10/98; 600/60; 128/888, 890; 602/60;
2/455

See application file for complete search history.

(56) **References Cited**

U.S. PATENT DOCUMENTS

D246,729 S * 12/1977 Murphy D24/109
5,032,103 A * 7/1991 Larsson 450/37
5,482,612 A * 1/1996 Armstrong et al. 204/298.11

D462,873 S * 9/2002 Miljkovic D24/158
D583,939 S * 12/2008 Simmons et al. D24/133
D598,105 S * 8/2009 Krishna et al. D24/155
2009/0005708 A1 * 1/2009 Johanson et al. 600/587
2009/0126087 A1 * 5/2009 Armstrong et al. 2/455
2011/0023218 A1 * 2/2011 Syska et al. 2/455

* cited by examiner

Primary Examiner — Anhdao Doan

(74) *Attorney, Agent, or Firm* — Myers Wolin, LLC; Scott H.
Kaliko

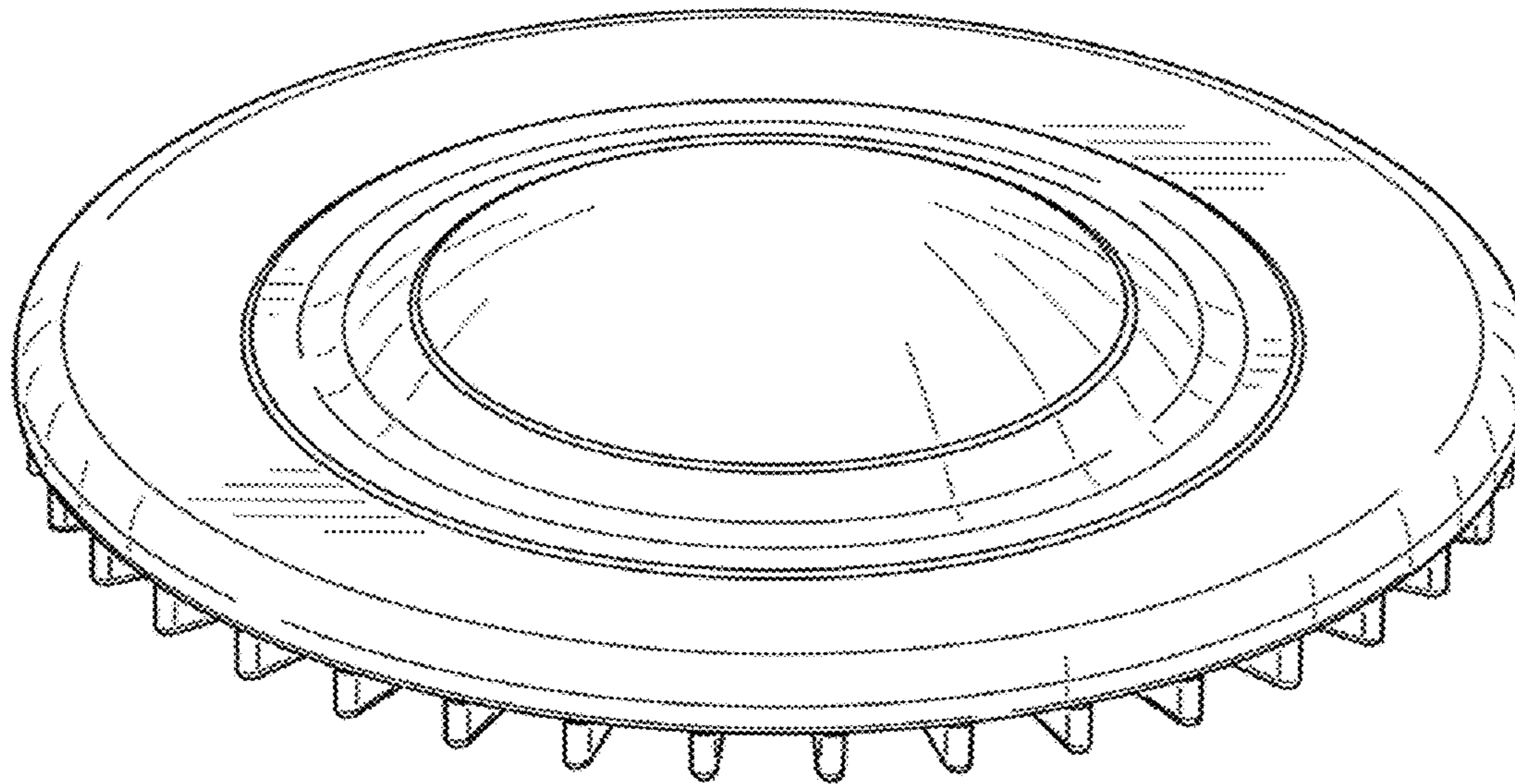
(57) **CLAIM**

The ornamental design for a pacemaker guard, as shown and
described.

DESCRIPTION

FIG. 1 is a top perspective view of a pacemaker guard;
FIG. 2 is a side view thereof;
FIG. 3 is another side view thereof;
FIG. 4 is another side view thereof;
FIG. 5 is another side view thereof;
FIG. 6 is a top view thereof; and,
FIG. 7 is a bottom view thereof.

1 Claim, 3 Drawing Sheets



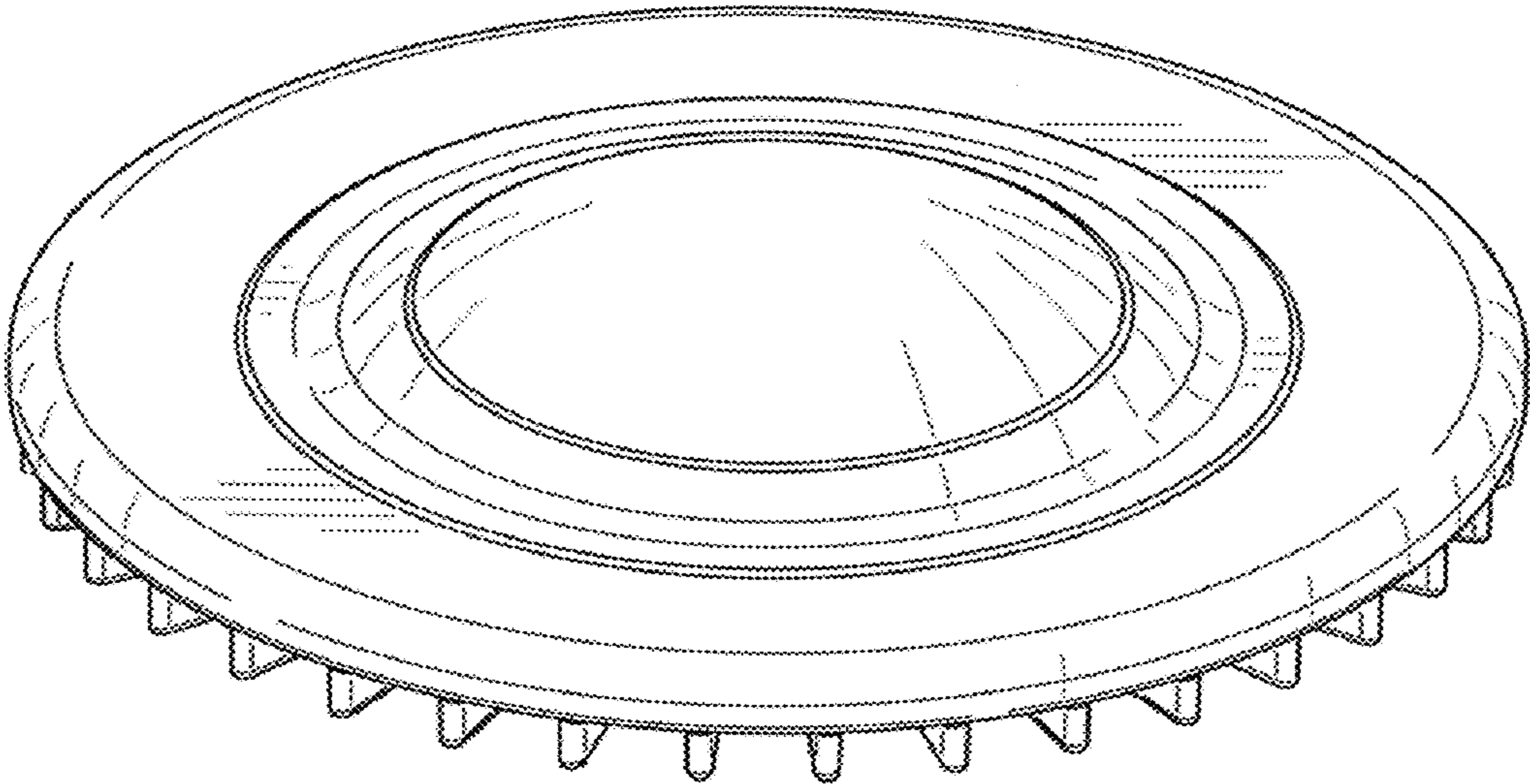


FIG. 1

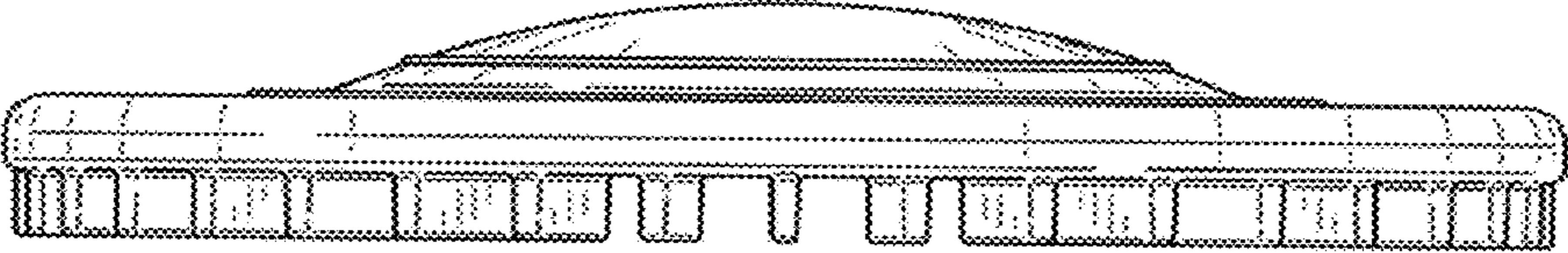


FIG. 2

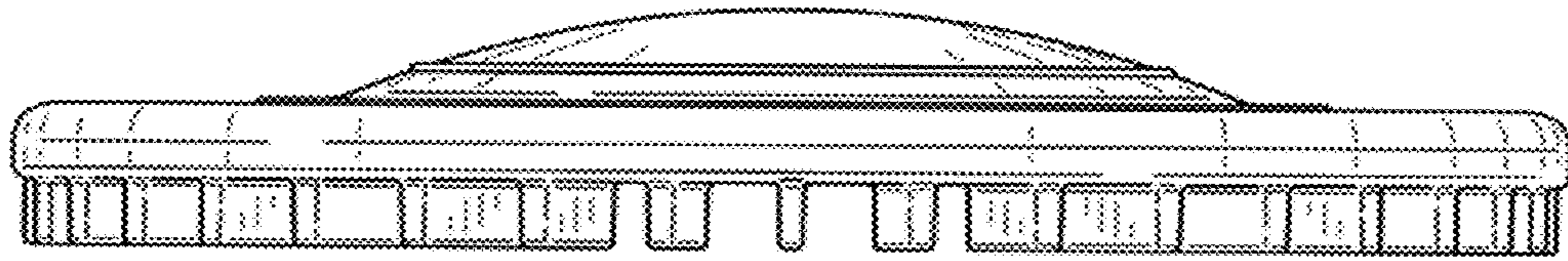


FIG. 3

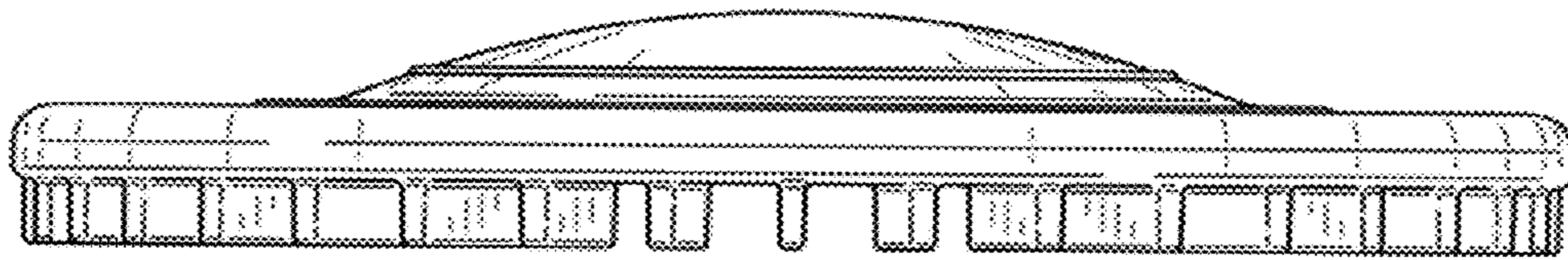


FIG. 4

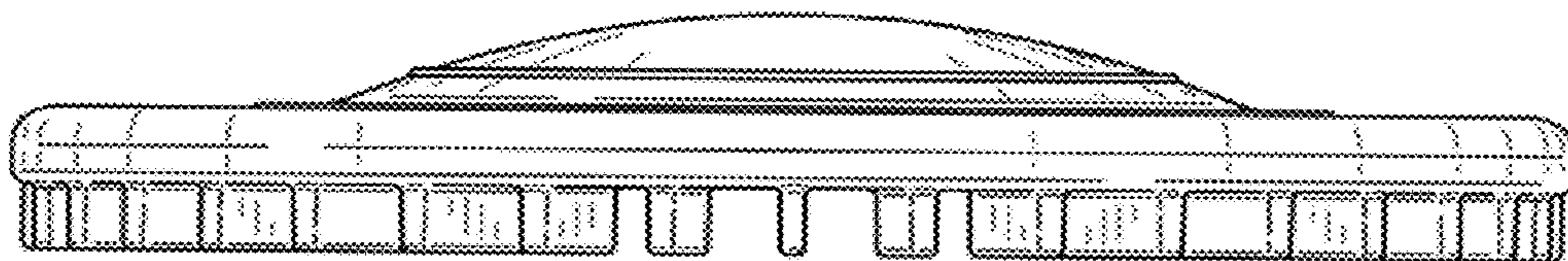


FIG. 5

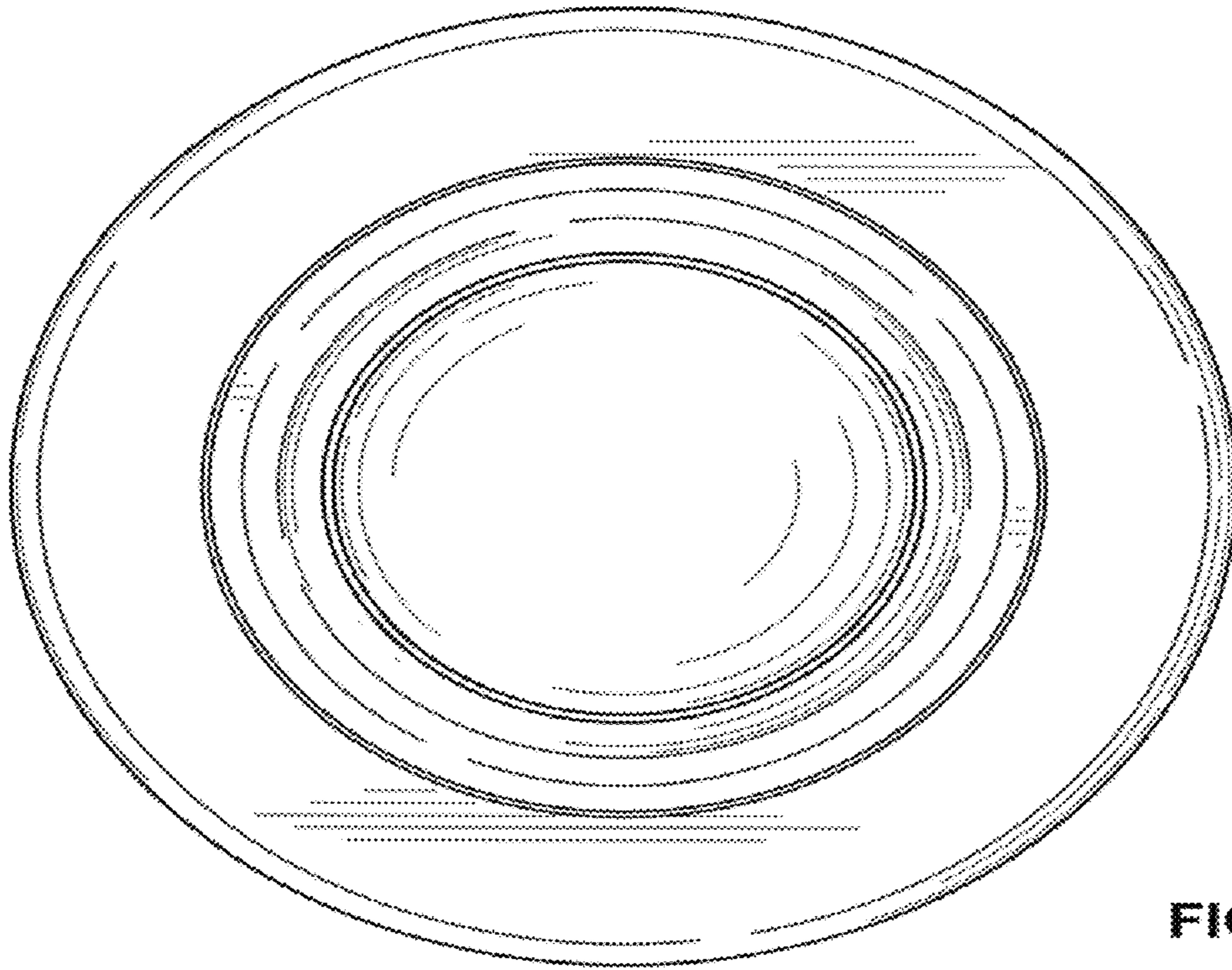


FIG. 6

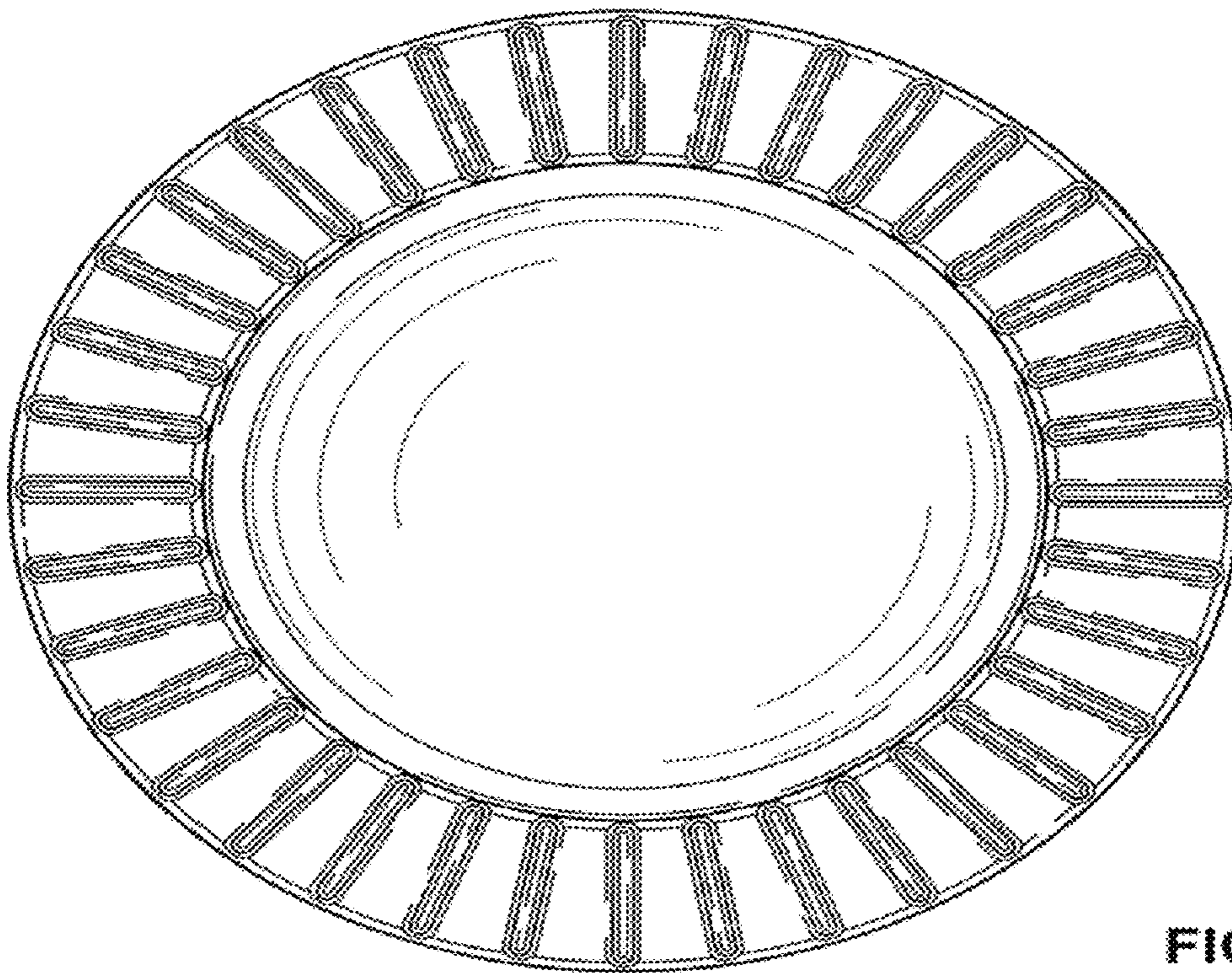


FIG. 7