



US00D673273S

(12) **United States Design Patent**
Wahlström et al.

(10) **Patent No.:** **US D673,273 S**

(45) **Date of Patent:** **** *Dec. 25, 2012**

(54) **BIPLANAR SINGLE HANDED X-RAY APPARATUS**

(75) Inventors: **Claes Wahlström**, Motala (SE); **Tobias Malm**, Åkersberga (SE)

(73) Assignee: **Scanflex Healthcare AB**, Stockholm (SE)

(*) Notice: This patent is subject to a terminal disclaimer.

(**) Term: **14 Years**

(21) Appl. No.: **29/368,784**

(22) Filed: **Nov. 12, 2010**

(30) **Foreign Application Priority Data**

Aug. 30, 2010 (EM) 001748393

(51) **LOC (9) Cl.** **24-01**

(52) **U.S. Cl.** **D24/158**

(58) **Field of Classification Search** D24/158-161, D24/186; 378/62, 68, 155, 195-198, 208, 378/4, 15, 17, 20, 21, 23-27, 146
See application file for complete search history.

(56) **References Cited**

U.S. PATENT DOCUMENTS

4,426,578 A * 1/1984 Bradcovich et al. 378/15
5,095,501 A * 3/1992 Kobayashi 378/196
D342,137 S * 12/1993 Guentner D24/158

D378,133 S * 2/1997 Murakami et al. D24/158
5,661,775 A * 8/1997 Cramer et al. 378/206
6,375,353 B1 * 4/2002 Van Es 378/198
7,052,421 B2 * 5/2006 Simmons 378/197
D553,748 S * 10/2007 Ogiwara D24/158
7,748,899 B2 * 7/2010 Saladin et al. 378/197
2004/0052334 A1 * 3/2004 Pillai et al. 378/196
2007/0121790 A1 * 5/2007 Grady 378/198
2008/0123819 A1 * 5/2008 Jensen et al. 378/198
2009/0135993 A1 * 5/2009 Harer et al. 378/4

* cited by examiner

Primary Examiner — Anhdao Doan

(74) *Attorney, Agent, or Firm* — Hiscock & Barclay, LLP

(57) **CLAIM**

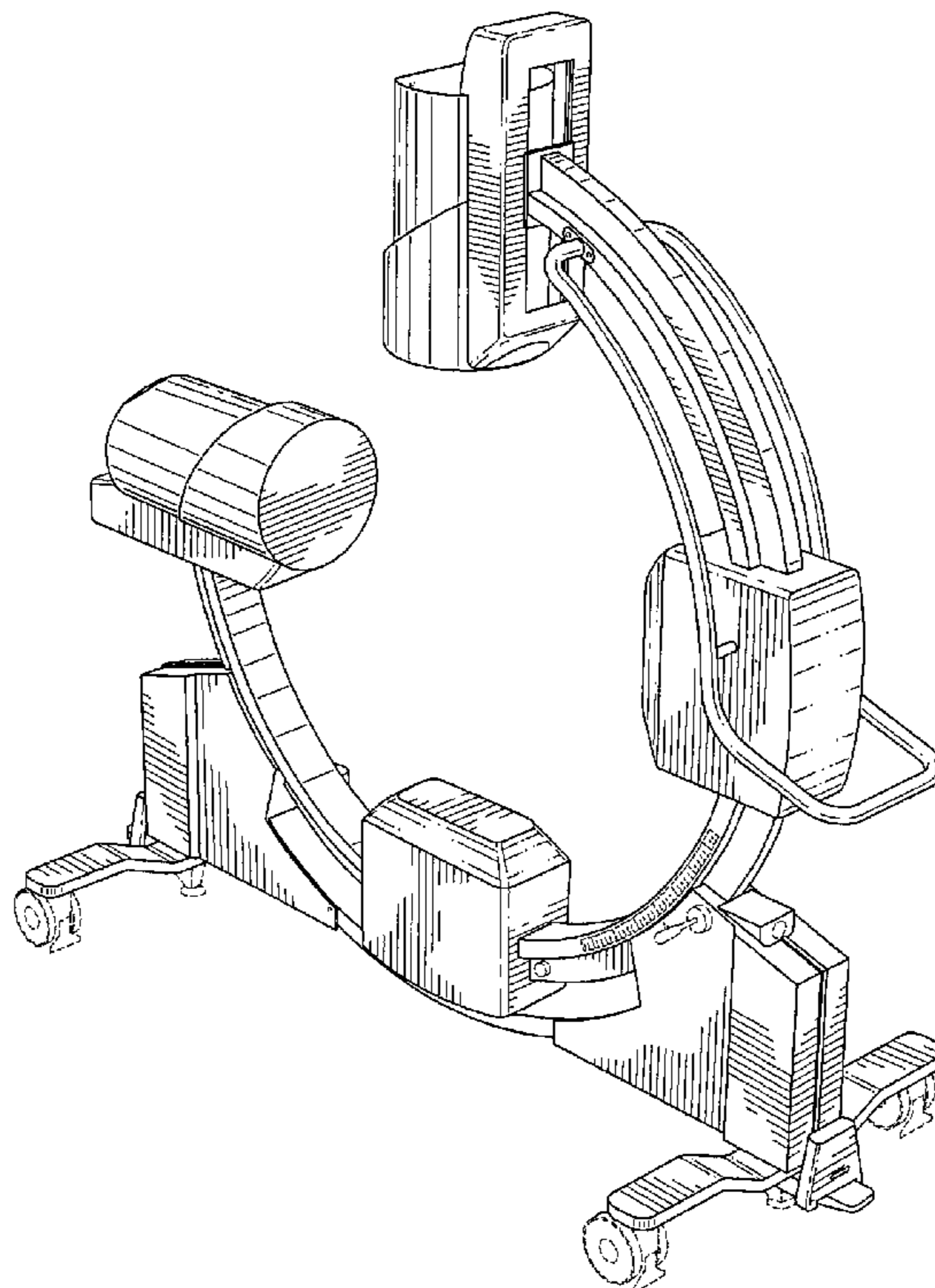
The ornamental design for a biplanar single handed x-ray apparatus, as shown and described.

DESCRIPTION

FIG. 1 is a top, front and right side perspective view of a biplanar single handed x-ray apparatus;
FIG. 2 is a right side view thereof;
FIG. 3 is a left side view thereof;
FIG. 4 is a front view thereof;
FIG. 5 is a rear view thereof;
FIG. 6 is a top view thereof; and
FIG. 7 is a bottom view thereof.

In the drawing views, the broken lines are included for the purpose of illustrating portions of the biplanar single handed x-ray apparatus that form no part of the claimed design.

1 Claim, 5 Drawing Sheets



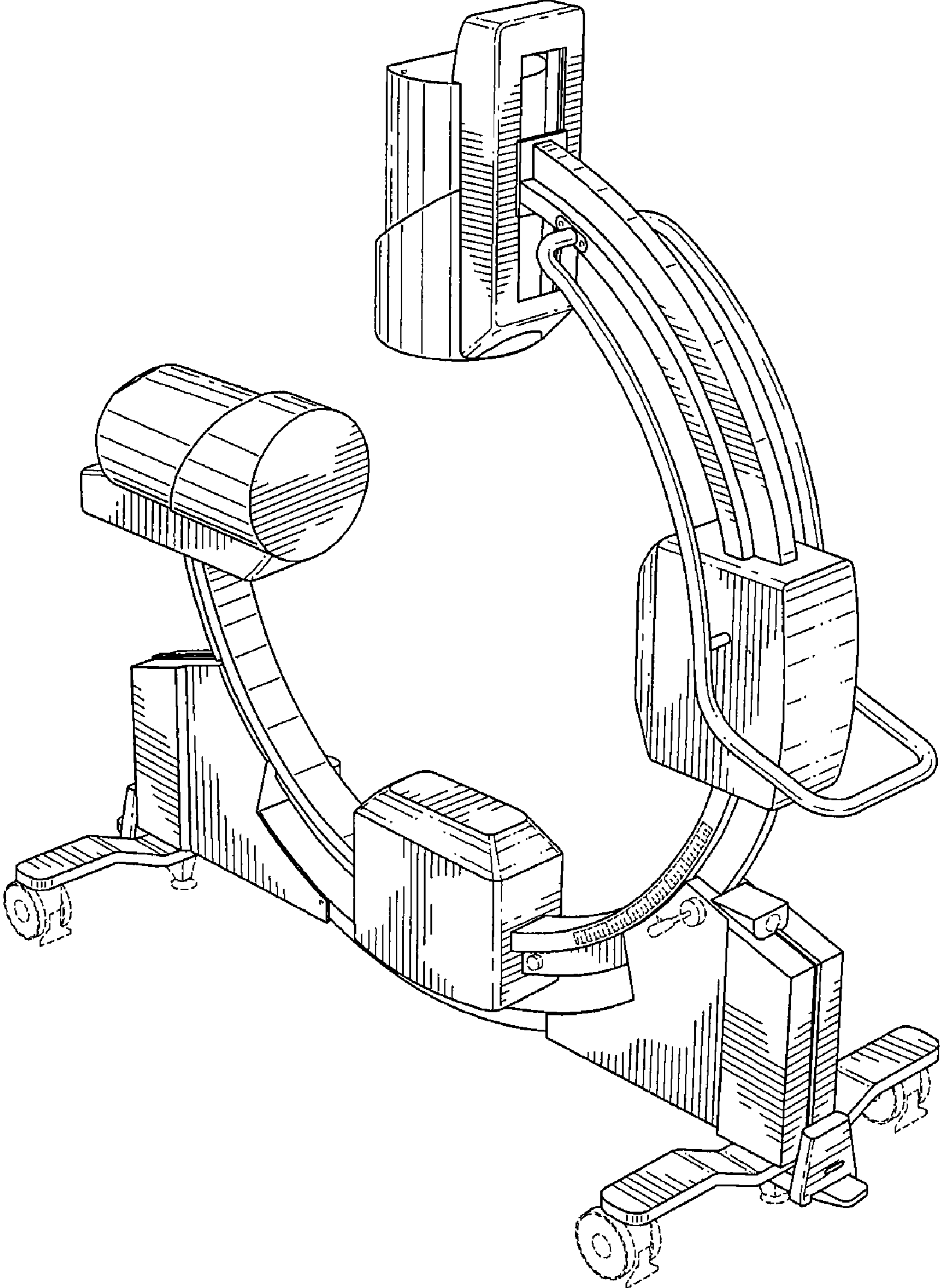


FIG. 1

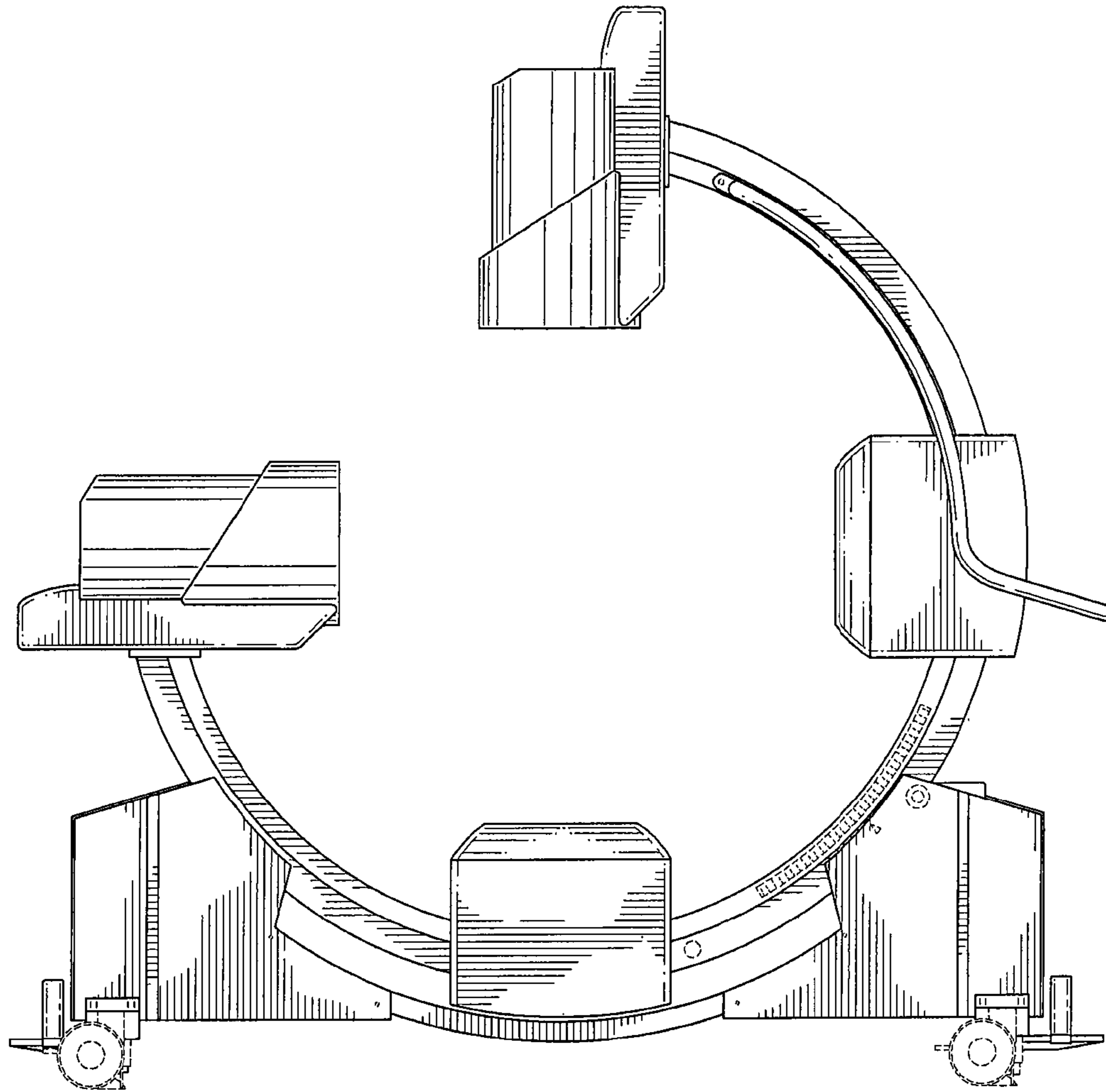


FIG.2

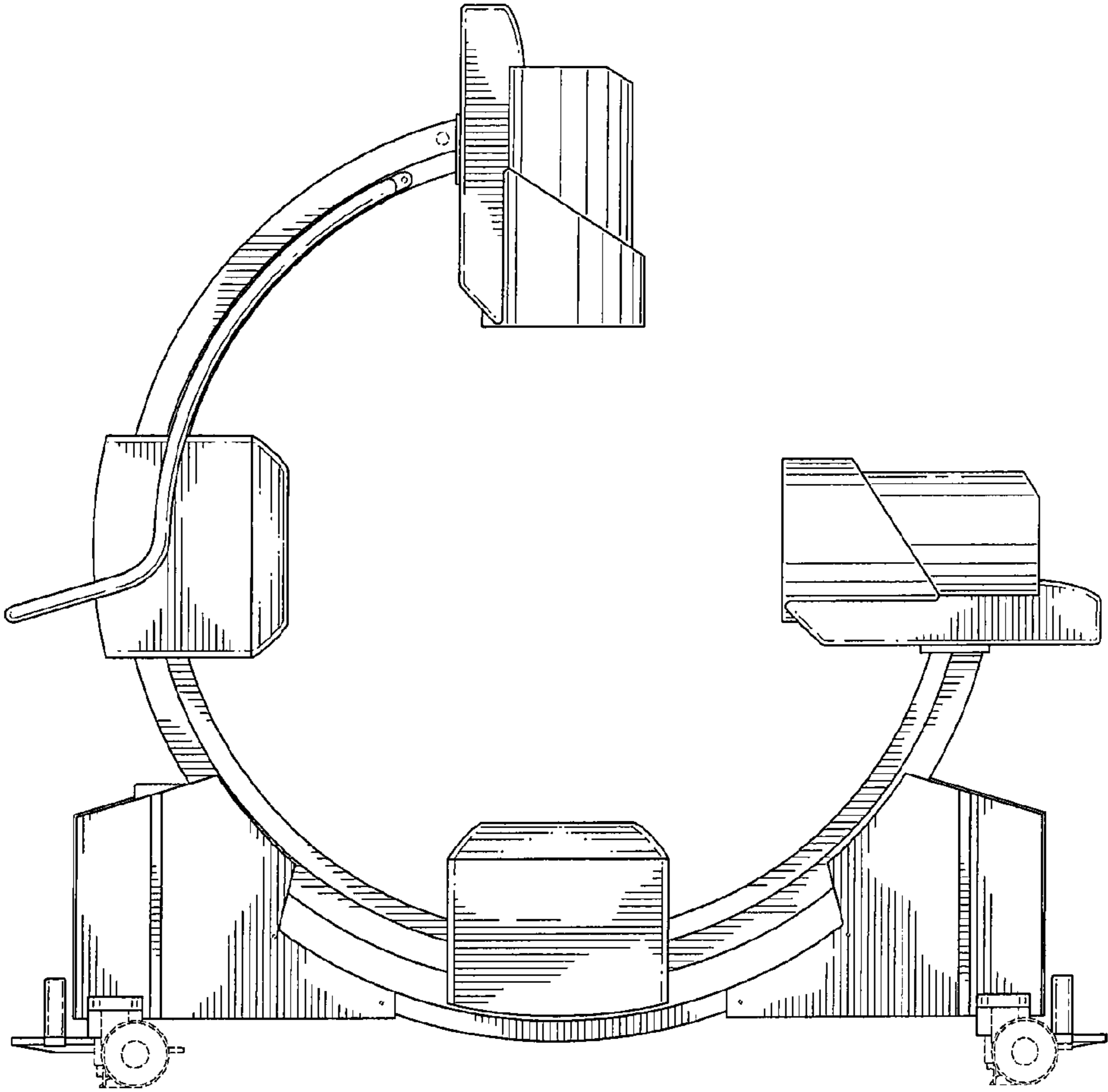


FIG.3

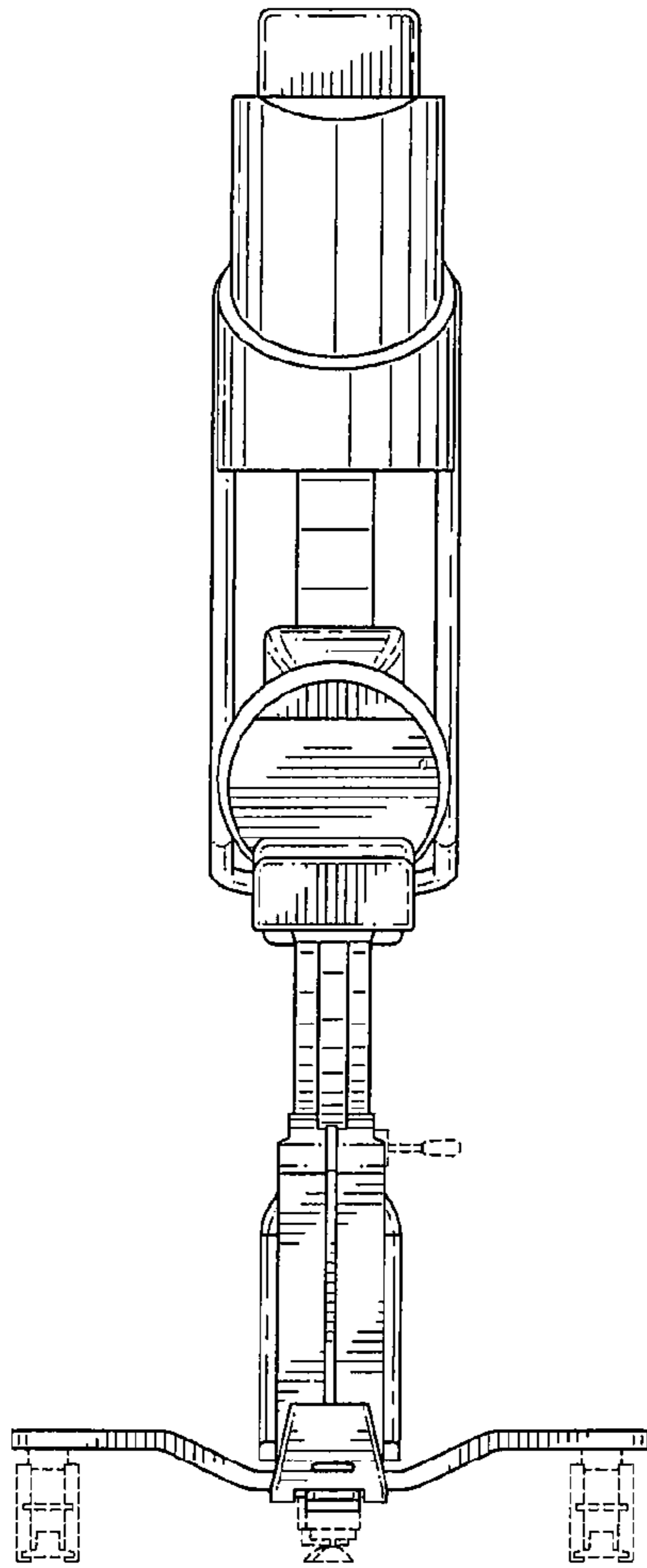


FIG. 4

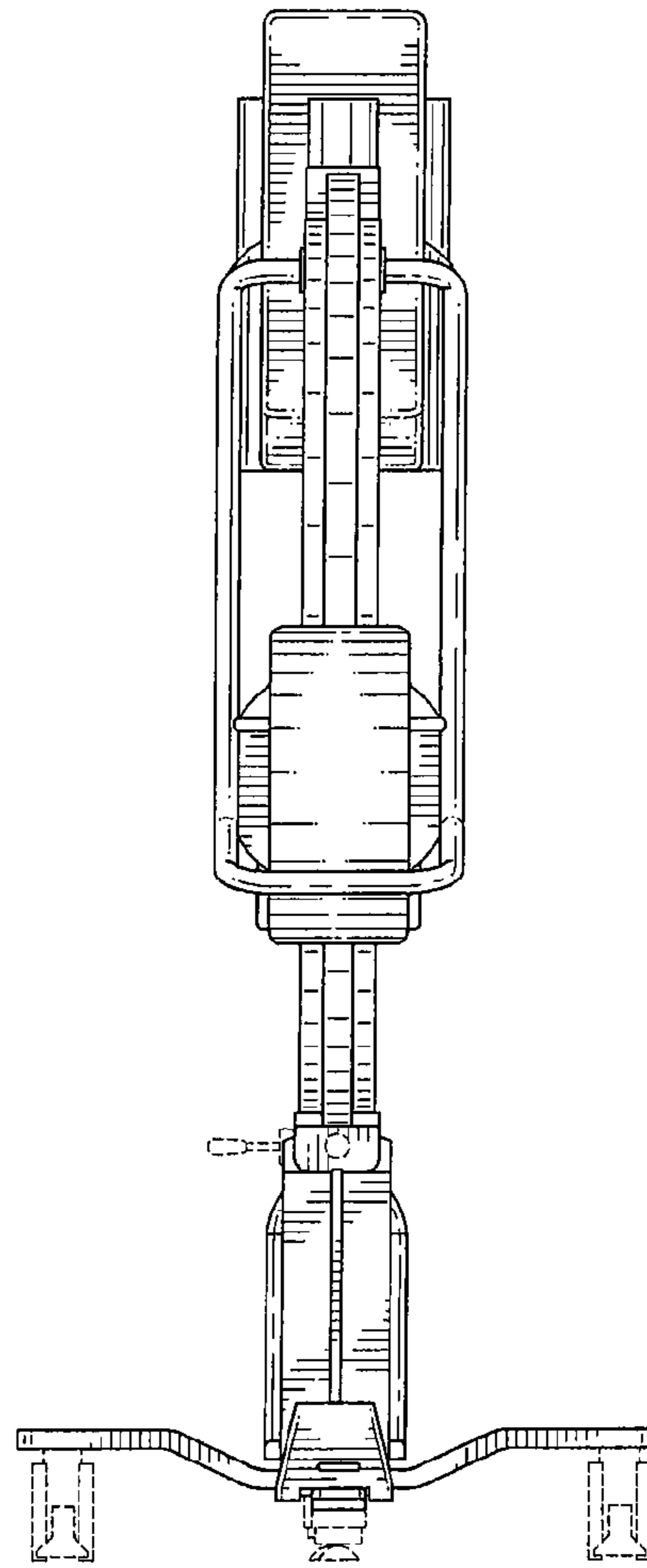


FIG. 5

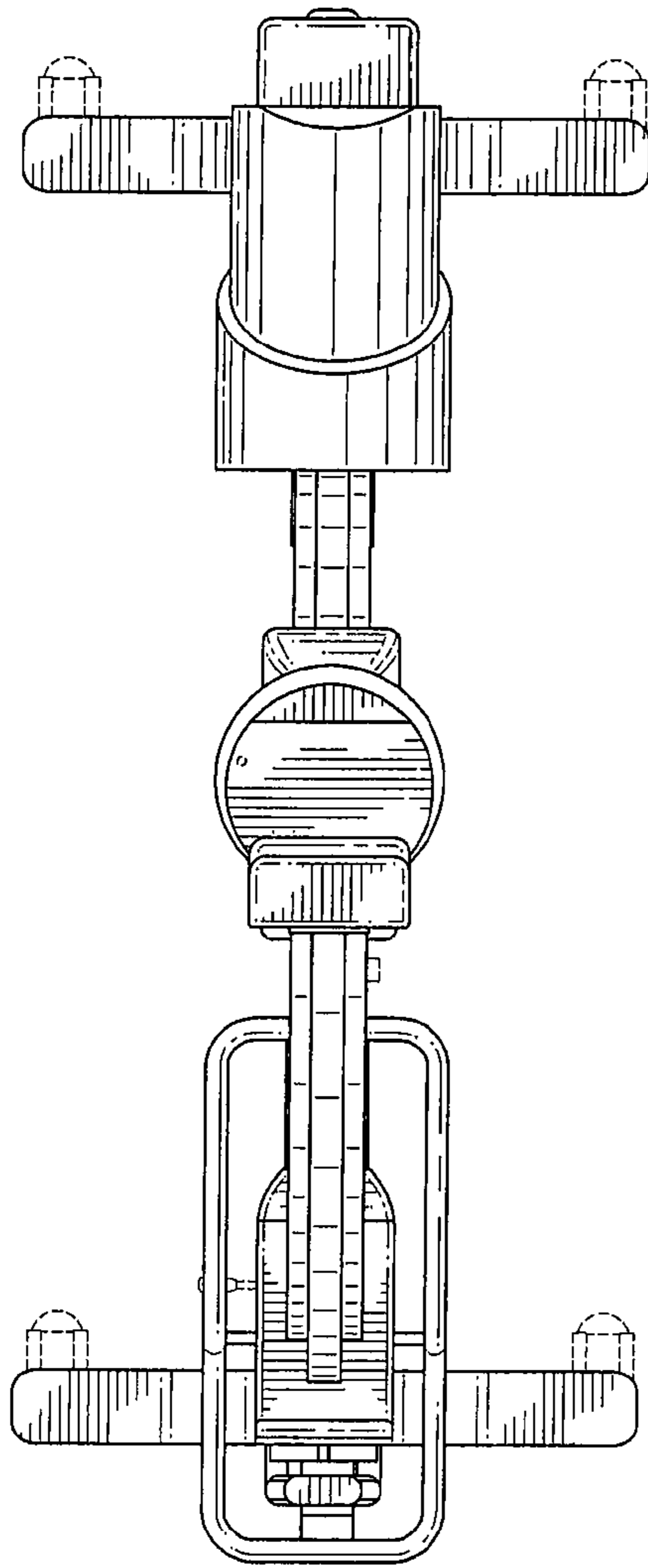


FIG. 6

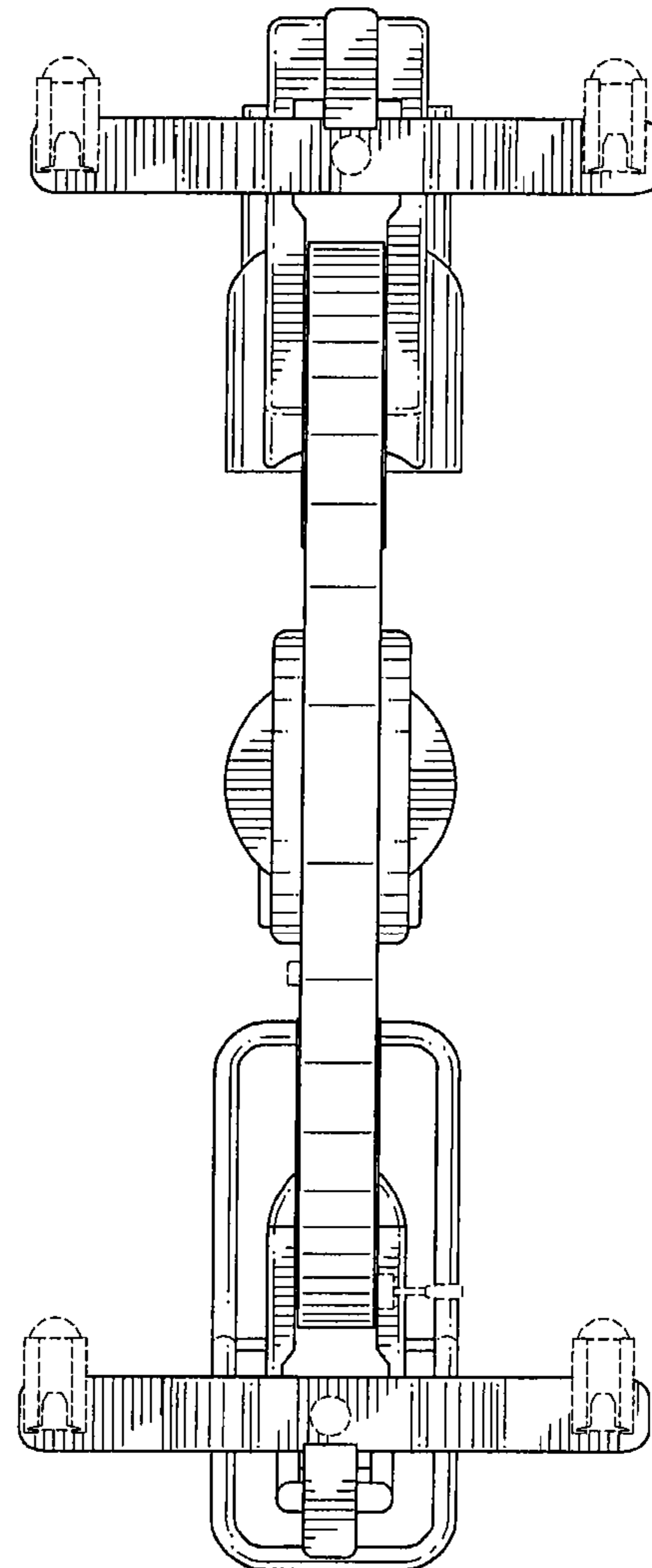


FIG. 7