

US00D673272S

(12) **United States Design Patent**
Trivisani

(10) **Patent No.:** **US D673,272 S**

(45) **Date of Patent:** **** Dec. 25, 2012**

(54) **UMBILICAL CORD CLAMP**

(76) Inventor: **Dean Trivisani**, Oakland, NJ (US)

(**) Term: **14 Years**

(21) Appl. No.: **29/414,378**

(22) Filed: **Feb. 28, 2012**

Related U.S. Application Data

(63) Continuation of application No. 29/354,639, filed on Jan. 27, 2010, now abandoned.

(51) **LOC (9) Cl.** **24-02**

(52) **U.S. Cl.** **D24/143**

(58) **Field of Classification Search** D24/133,
D24/143, 147; D7/685-686, 689, 692, 696;
D8/394-395; 294/3, 11, 99.1, 99.2, 118;
606/119-120, 151, 157, 158

See application file for complete search history.

(56) **References Cited**

U.S. PATENT DOCUMENTS

D190,787	S *	6/1961	Schneider	D24/143
3,247,852	A *	4/1966	Schneider	606/120
3,825,012	A *	7/1974	Nicoll	606/120
3,854,482	A *	12/1974	Laugherty et al.	606/120
4,212,303	A *	7/1980	Nolan	606/120
4,899,134	A	2/1990	Wheless, Jr.		
5,006,830	A	4/1991	Merritt		
5,440,295	A	8/1995	Ciecwisz et al.		
5,608,382	A *	3/1997	Webb et al.	606/120
5,921,991	A *	7/1999	Whitehead et al.	606/120
6,144,303	A	11/2000	Federman		
6,421,920	B1 *	7/2002	Jensen	606/120
6,753,781	B2	6/2004	Radomsky et al.		
2010/0211080	A1 *	8/2010	Trivisani et al.	606/120
2011/0295291	A1 *	12/2011	Trivisani	606/158

FOREIGN PATENT DOCUMENTS

KR 300418887.0000 * 7/2006

OTHER PUBLICATIONS

Garner, Lai, Baea, Avoiding Neo-Natal Death: an intervention study of umbilical cord care, J. Trop Pediatr., Feb. 1994, 24-8, 40(1).

Beall, Umbilical Cord Complications, e medicine.medscape.com, Aug. 3, 2009, p. 1/11.

Poudel, Tetanus, Kathmandu Univ Med J, Jul.-Sep. 2009, 315-22, 7(27).

Mercer, Cardiac asystole at birth: Is hypovolemic shock the cause? Med Hypotheses, Apr. 2009, 458-63, 72(4), Epub Jan. 1, 2009.

Hutton, Late vs early clamping of the umbilical cord in full-term neonates: systematic review and meta-analysis of controlled trials. JAMA, Mar. 21, 2007, 1257-8, 297(11).

Kunzel, Cord clamping at birth-considerations for choosing the right time, Z. Geburtshilfe Perinatol, Apr.-May 1982, 59-64, 186 (2).

Photos of related products on the market; photos taken by the inventor in May 2012. Five related products are listed.

* cited by examiner

Primary Examiner — Wan Laymon

(74) *Attorney, Agent, or Firm* — Gearhart Law, LLC

(57) **CLAIM**

I claim the ornamental design for an umbilical cord clamp, as shown and described.

DESCRIPTION

FIG. 1 is a left and bottom perspective view of the umbilical cord clamp of the new design.

FIG. 2 is a perspective view thereof shown in closed position.

FIG. 3 is a side view of FIG. 1.

FIG. 4 is another side view thereof.

FIG. 5 is a top view of FIG. 1.

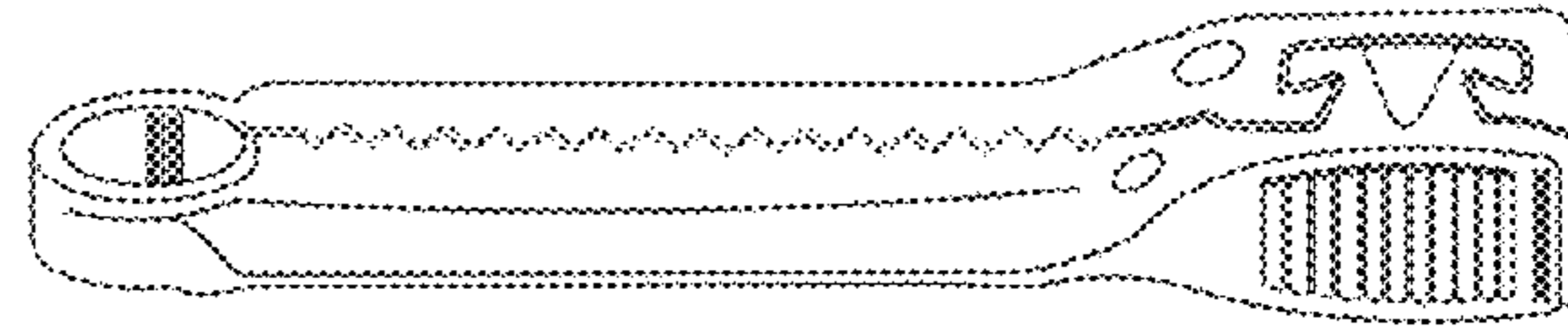
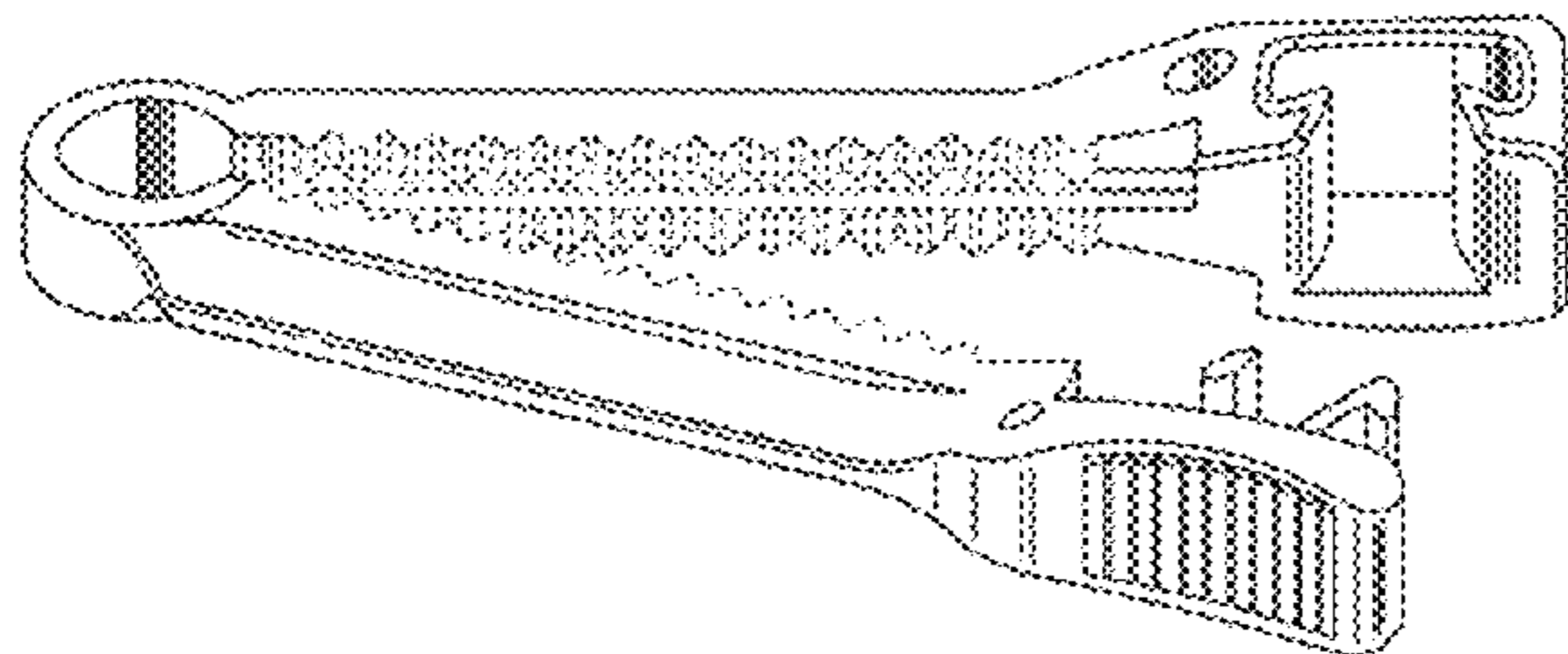
FIG. 6 is a bottom view thereof.

FIG. 7 is a front view thereof; and,

FIG. 8 is a back view thereof.

The broken lines shown in the figures represent portions of the umbilical cord clamp that form no part of the claimed design.

1 Claim, 5 Drawing Sheets



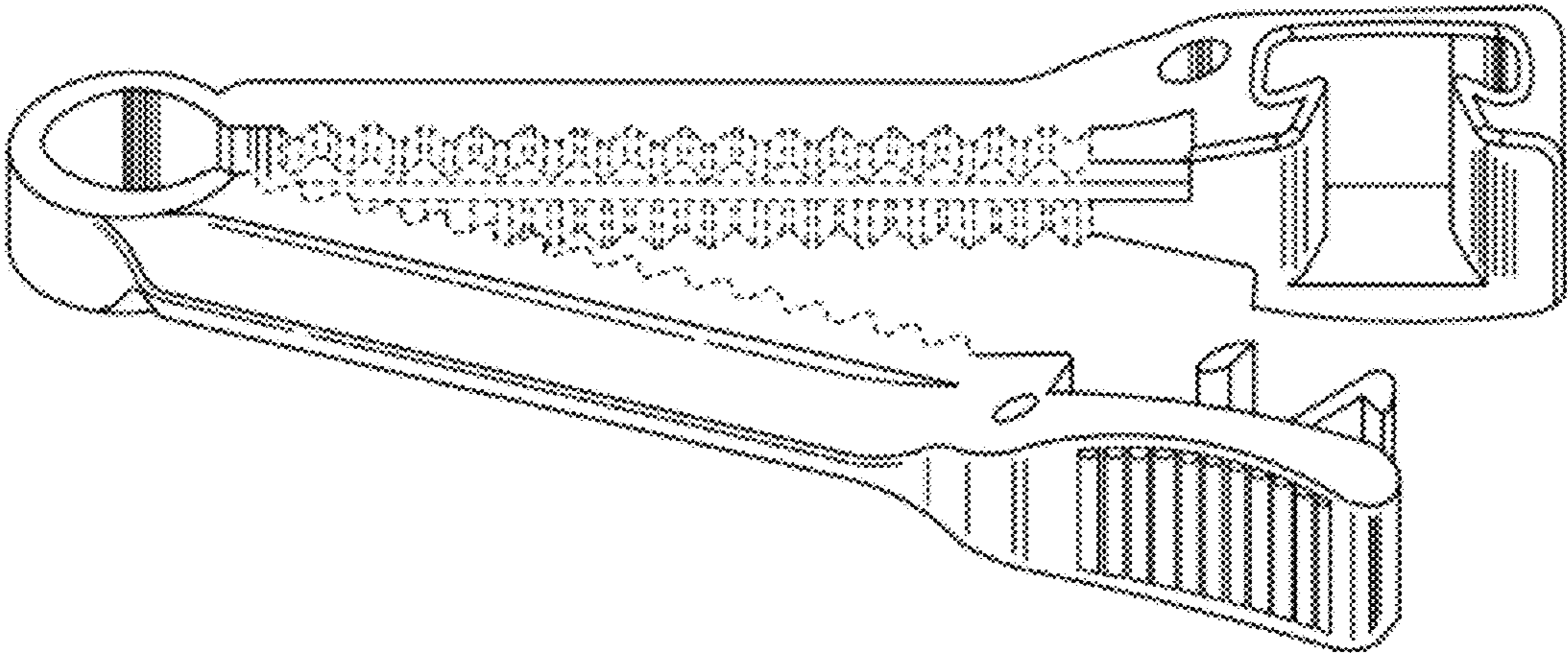


FIG. 1

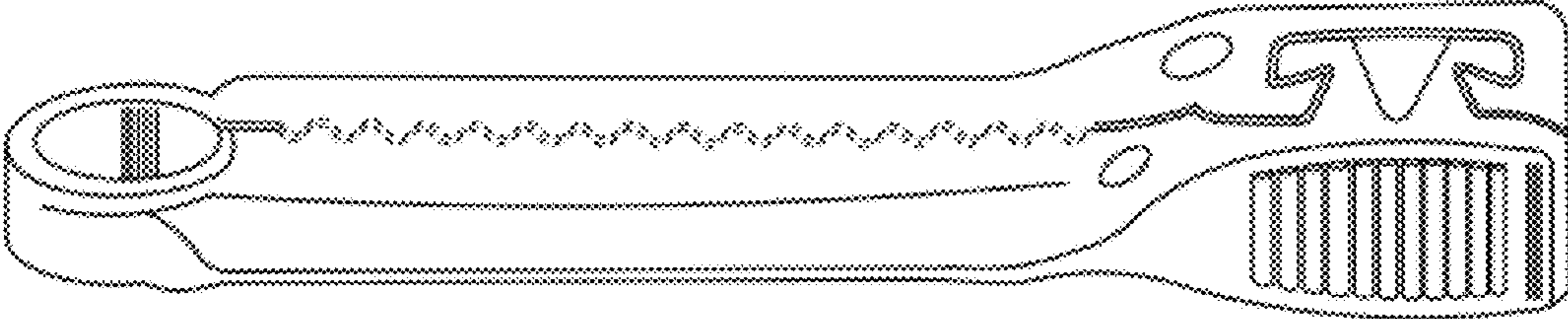


FIG. 2

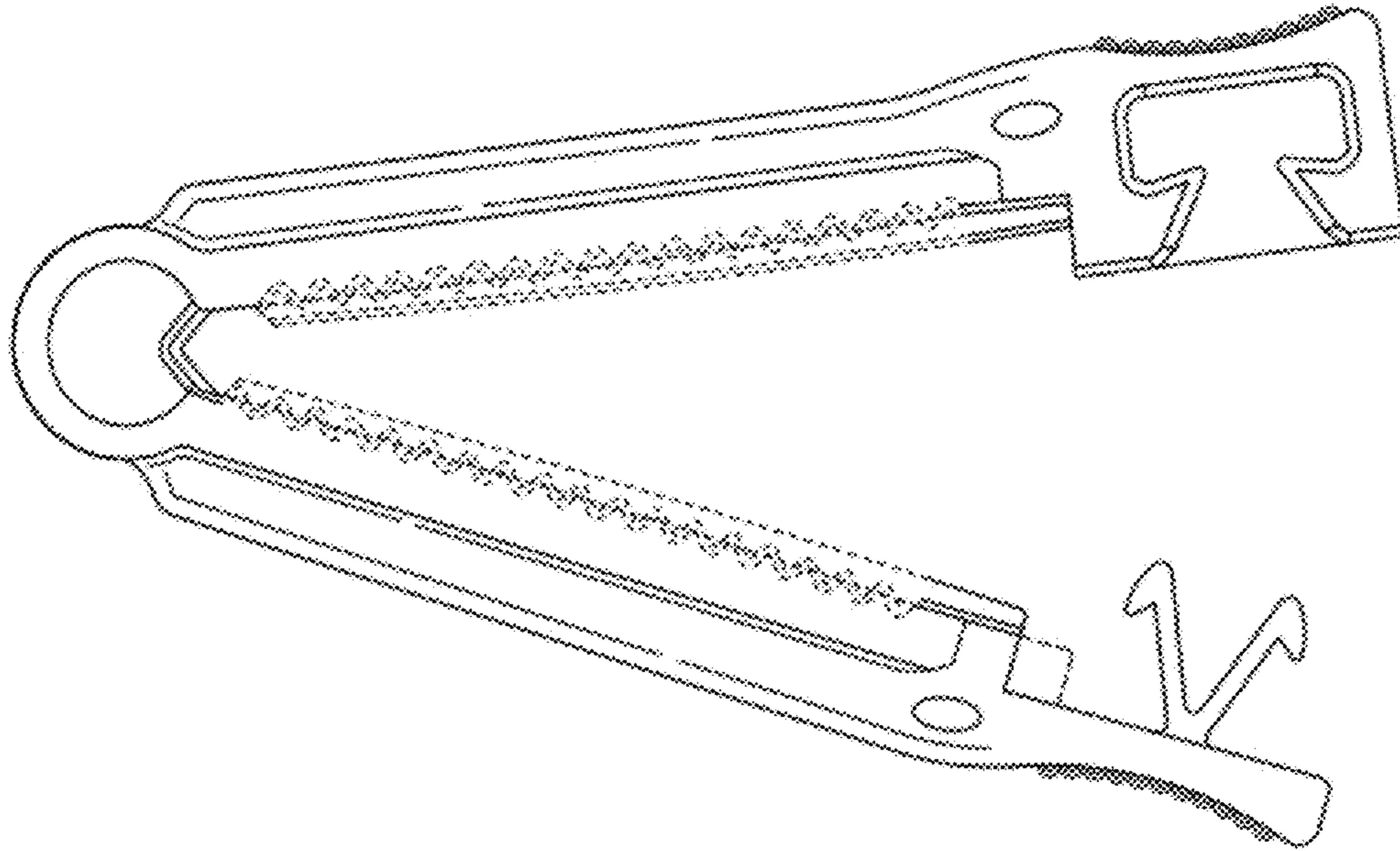


FIG. 3

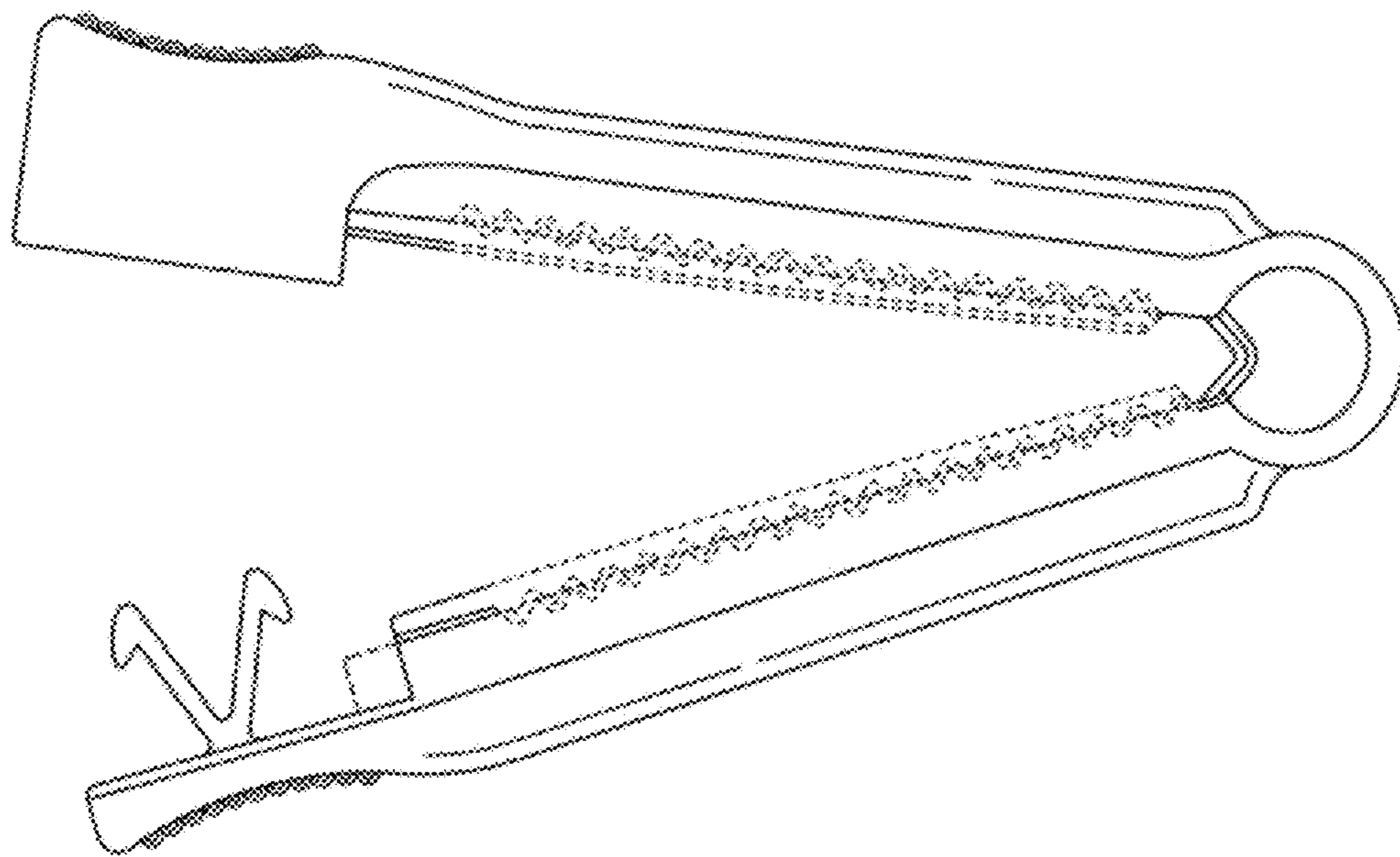


FIG. 4

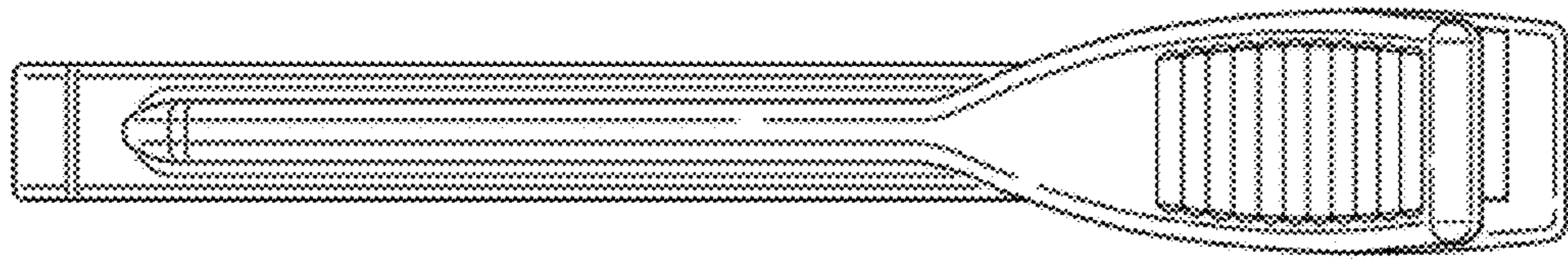


FIG. 5

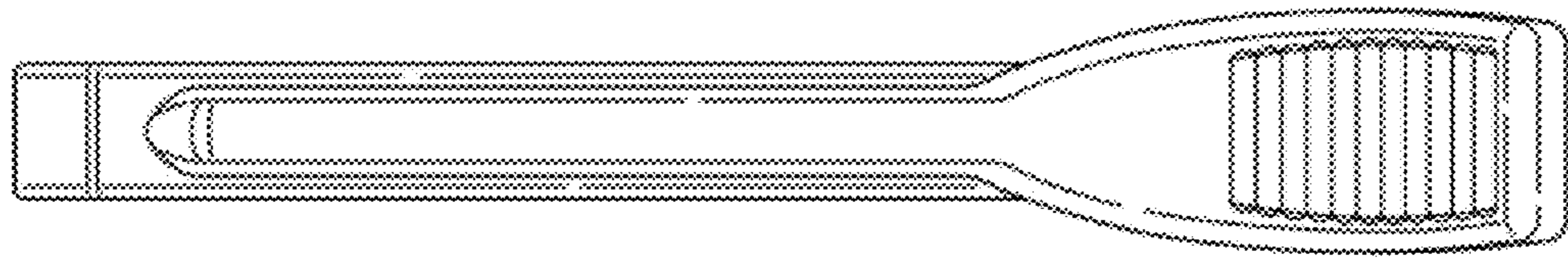


FIG. 6

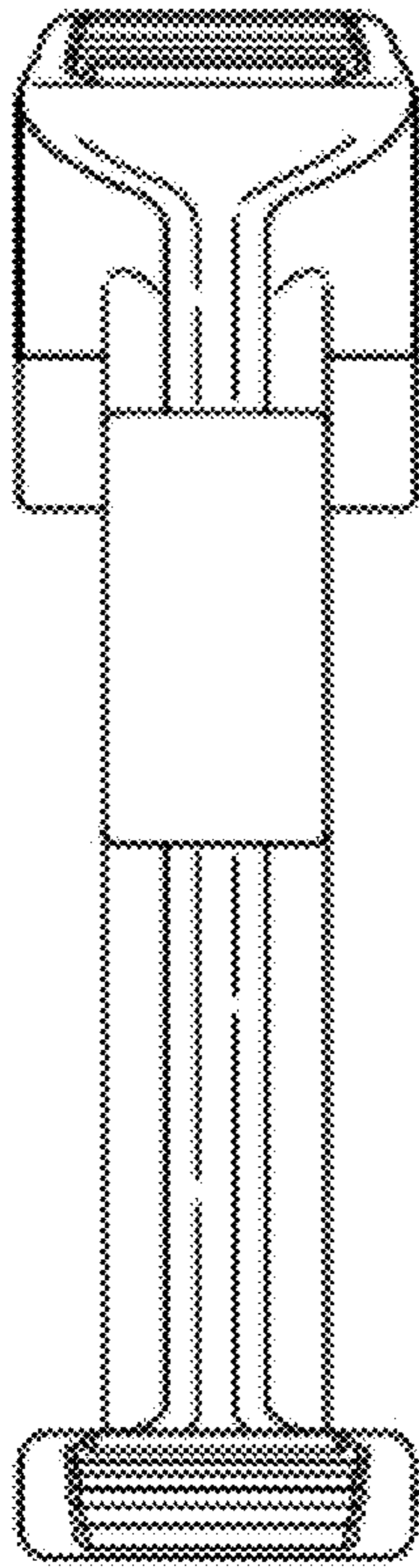


FIG. 7

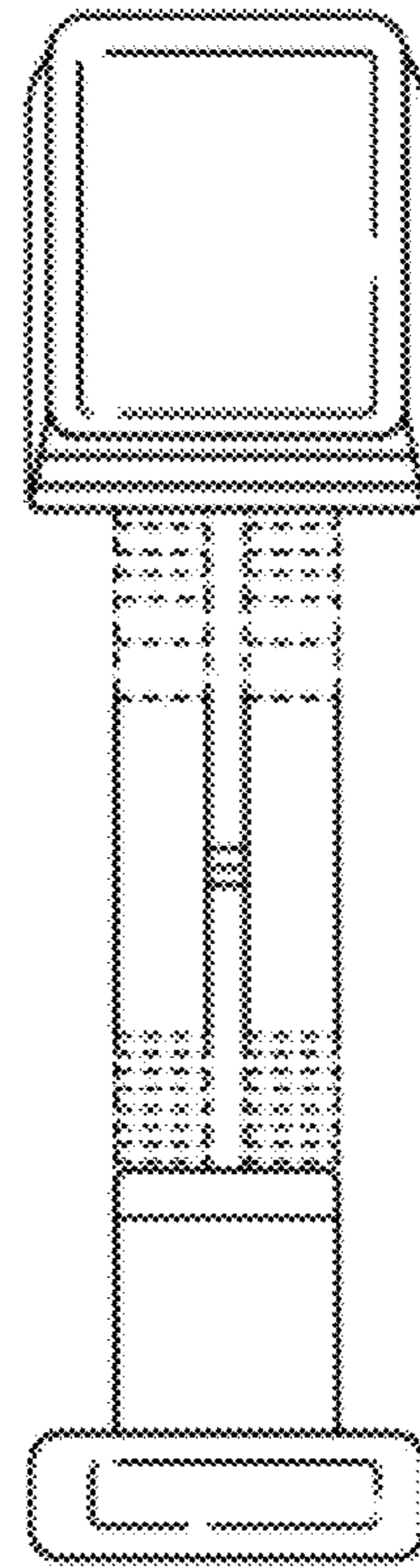


FIG. 8