



US00D673270S

(12) **United States Design Patent**
Brunner et al.

(10) **Patent No.:** **US D673,270 S**

(45) **Date of Patent:** **** *Dec. 25, 2012**

(54) **NASAL DILATOR**

(75) Inventors: **Jeffrey S. Brunner**, Parsippany, NJ
(US); **Gustav R Fenton**, Parsippany, NJ
(US); **Snigdha Mishra**, Parsippany, NJ
(US)

(73) Assignee: **GlaxoSmithKline, LLC**, Philadelphia,
PA (US)

(*) Notice: This patent is subject to a terminal disclaimer.

(**) Term: **14 Years**

(21) Appl. No.: **29/398,051**

(22) Filed: **Jul. 26, 2011**

Related U.S. Application Data

(63) Continuation-in-part of application No. 29/352,649,
filed on Dec. 23, 2009, now Pat. No. Des. 644,325.

(51) **LOC (9) Cl.** **24-02**

(52) **U.S. Cl.** **D24/135**

(58) **Field of Classification Search** D24/133,
D24/135, 136, 189; D28/4; D29/108; 606/191-199
See application file for complete search history.

(56) **References Cited**

U.S. PATENT DOCUMENTS

5,533,499	A	7/1996	Johnson	
5,533,503	A	7/1996	Doubek et al.	
5,546,929	A	8/1996	Muchin	
5,611,333	A	3/1997	Johnson	
5,653,224	A	8/1997	Johnson	
6,065,470	A	5/2000	Van Cromvoirt et al.	
6,098,616	A	8/2000	Lundy, Jr. et al.	
6,318,362	B1	11/2001	Johnson	
6,453,901	B1	9/2002	Ierulli	
6,631,714	B2	10/2003	Von Duyke et al.	
7,067,710	B1	6/2006	Beaudry	
D639,762	S *	6/2011	Brogden et al.	D24/135
D644,324	S *	8/2011	Brunner et al.	D24/135

D644,325	S *	8/2011	Brunner et al.	D24/135
D651,710	S *	1/2012	Brogden et al.	D24/135
D659,245	S *	5/2012	Ierulli	D24/135

(Continued)

FOREIGN PATENT DOCUMENTS

EM 001220826-0001 * 8/2010

(Continued)

OTHER PUBLICATIONS

U.S. Appl. No. 29/352,627, filed Dec. 23, 2009, Brogden et al.

(Continued)

Primary Examiner — Bridget L Eland

(74) *Attorney, Agent, or Firm* — Joshua C. Sanders; Nora L. Stein; Theodore R. Furman

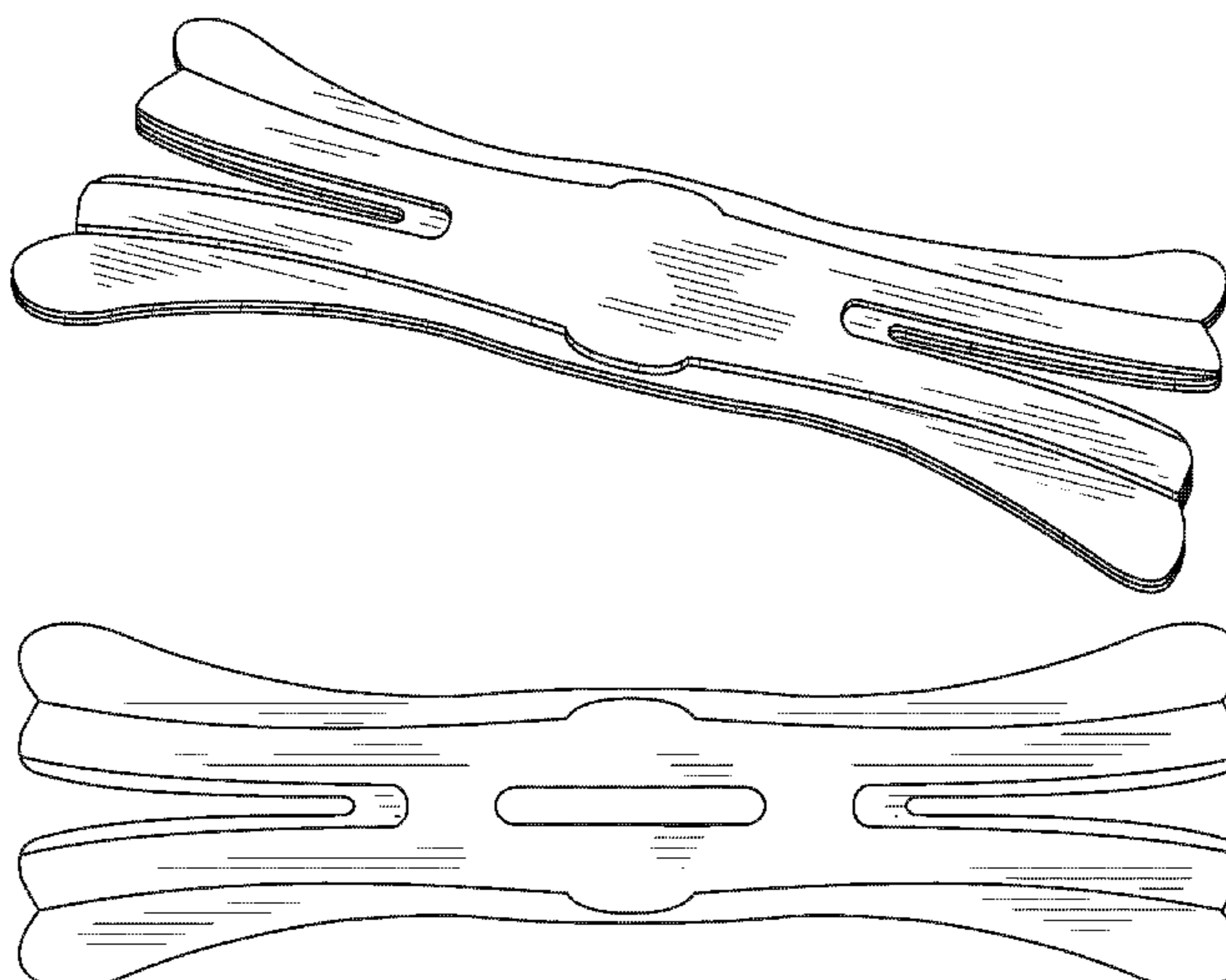
(57) **CLAIM**

We claim the ornamental design for a nasal dilator, as shown and described.

DESCRIPTION

FIG. 1 is a perspective view of a first embodiment of a nasal dilator showing our new design;
 FIG. 2 is a top view thereof;
 FIG. 3 is a bottom view thereof;
 FIG. 4 is a side elevational view thereof, both sides being the same;
 FIG. 5 is an end elevational view thereof, both ends being the same;
 FIG. 6 is a perspective view of a second embodiment of a nasal dilator showing our new design;
 FIG. 7 is a top view thereof;
 FIG. 8 is a bottom view thereof;
 FIG. 9 is a second side elevational view thereof, both sides being the same; and,
 FIG. 10 is an end elevational view thereof both ends being the same.

1 Claim, 8 Drawing Sheets



US D673,270 S

Page 2

U.S. PATENT DOCUMENTS

D662,203 S * 6/2012 Smith D24/135
2001/0032645 A1 10/2001 Cronk et al.
2007/0255309 A1 11/2007 Guyuron et al.
2008/0058858 A1 3/2008 Smith
2008/0184995 A1 8/2008 Ierulli et al.
2008/0257341 A1 10/2008 Ierulli
2009/0234383 A1 9/2009 Ierulli

FOREIGN PATENT DOCUMENTS

EM 001220826-0002 * 8/2010
EM 001220826-0003 * 8/2010

EM 001220826-0004 * 8/2010
EP 0842646 5/1998
WO WO99/22678 5/1999
WO WO2005/020845 2/2009

OTHER PUBLICATIONS

U.S. Appl. No. 29/352,646, filed Dec. 23, 2009, Brunner et al.
U.S. Appl. No. 29/352,630, filed Dec. 23, 2009, Brogden et al.

* cited by examiner

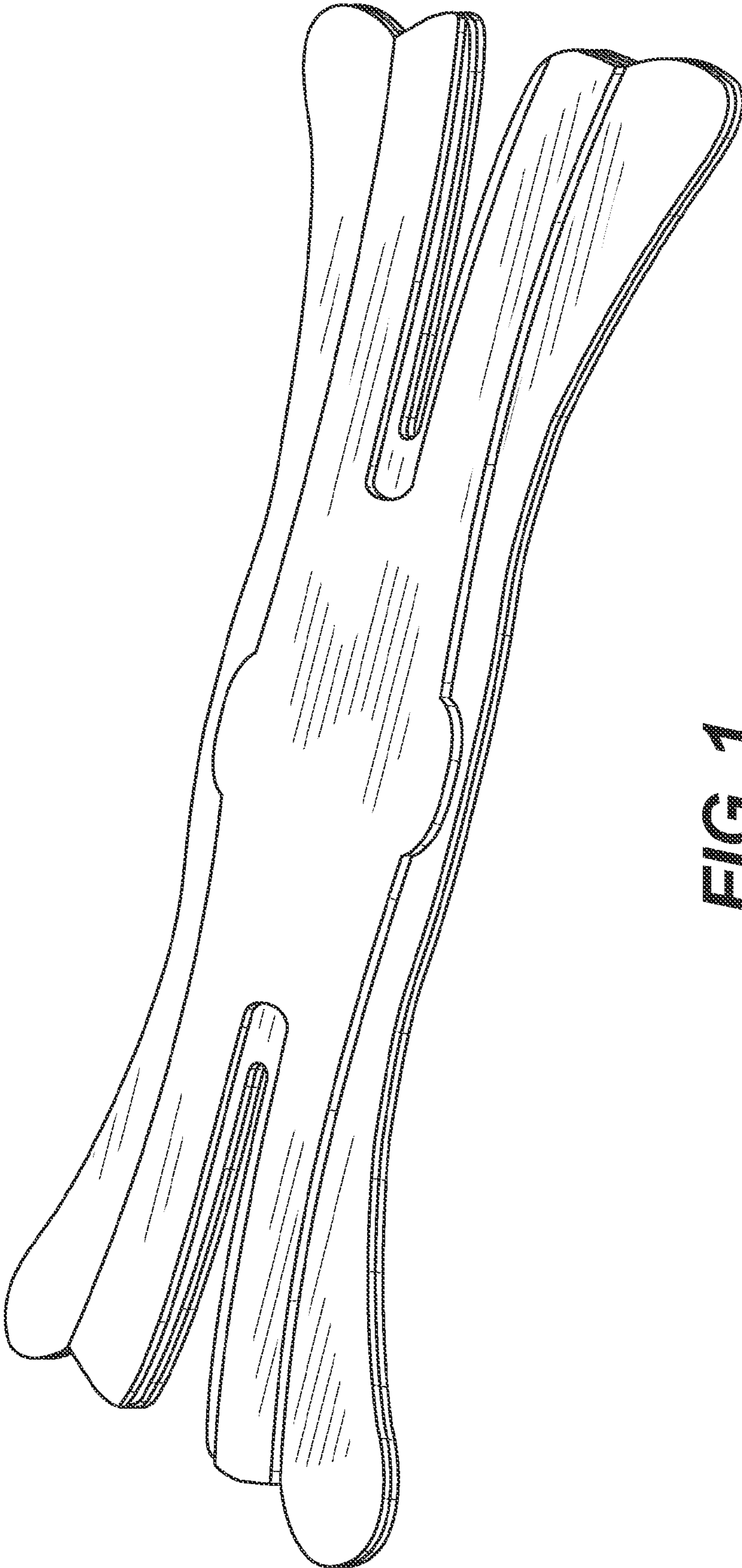


FIG. 1

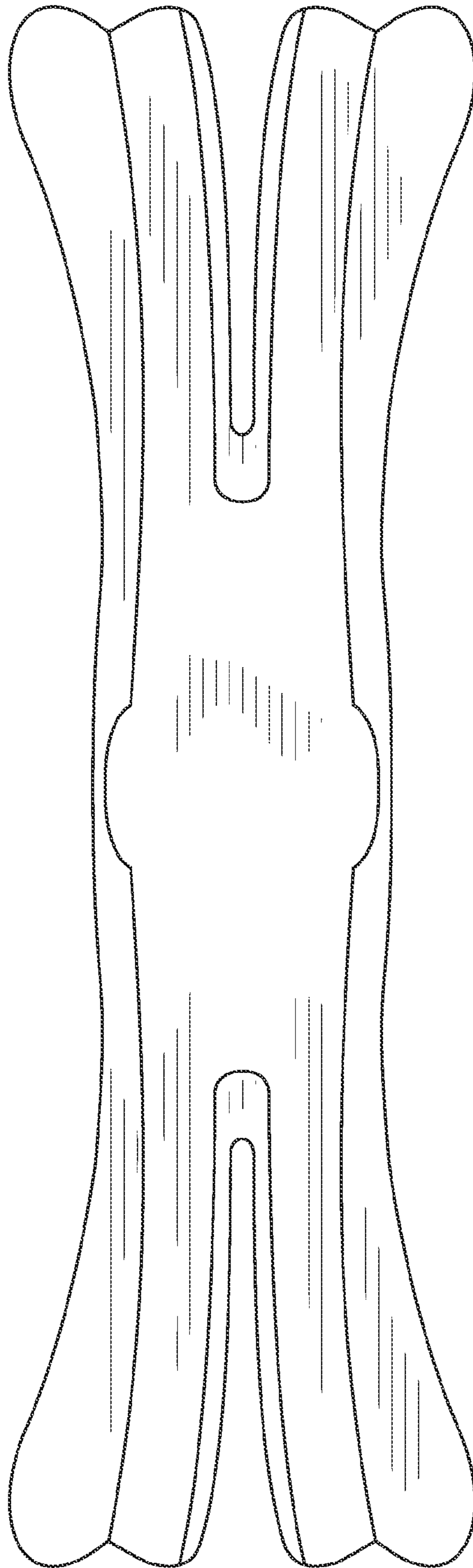


FIG. 2

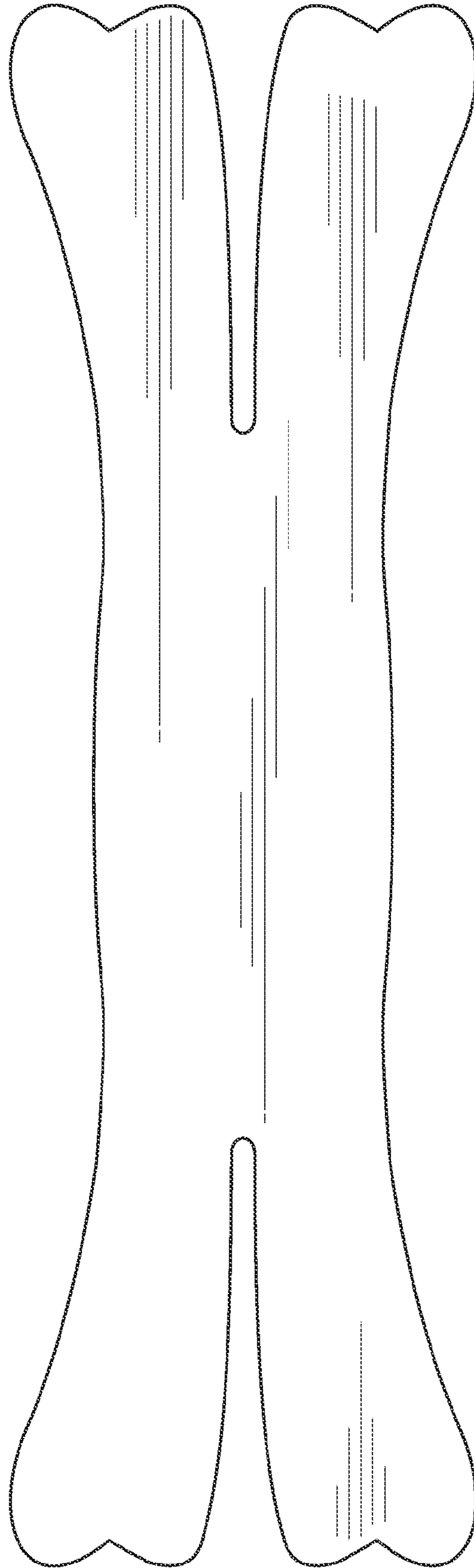


FIG. 3



FIG. 4

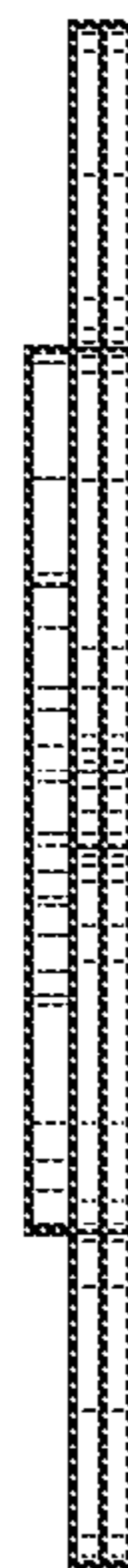


FIG. 5

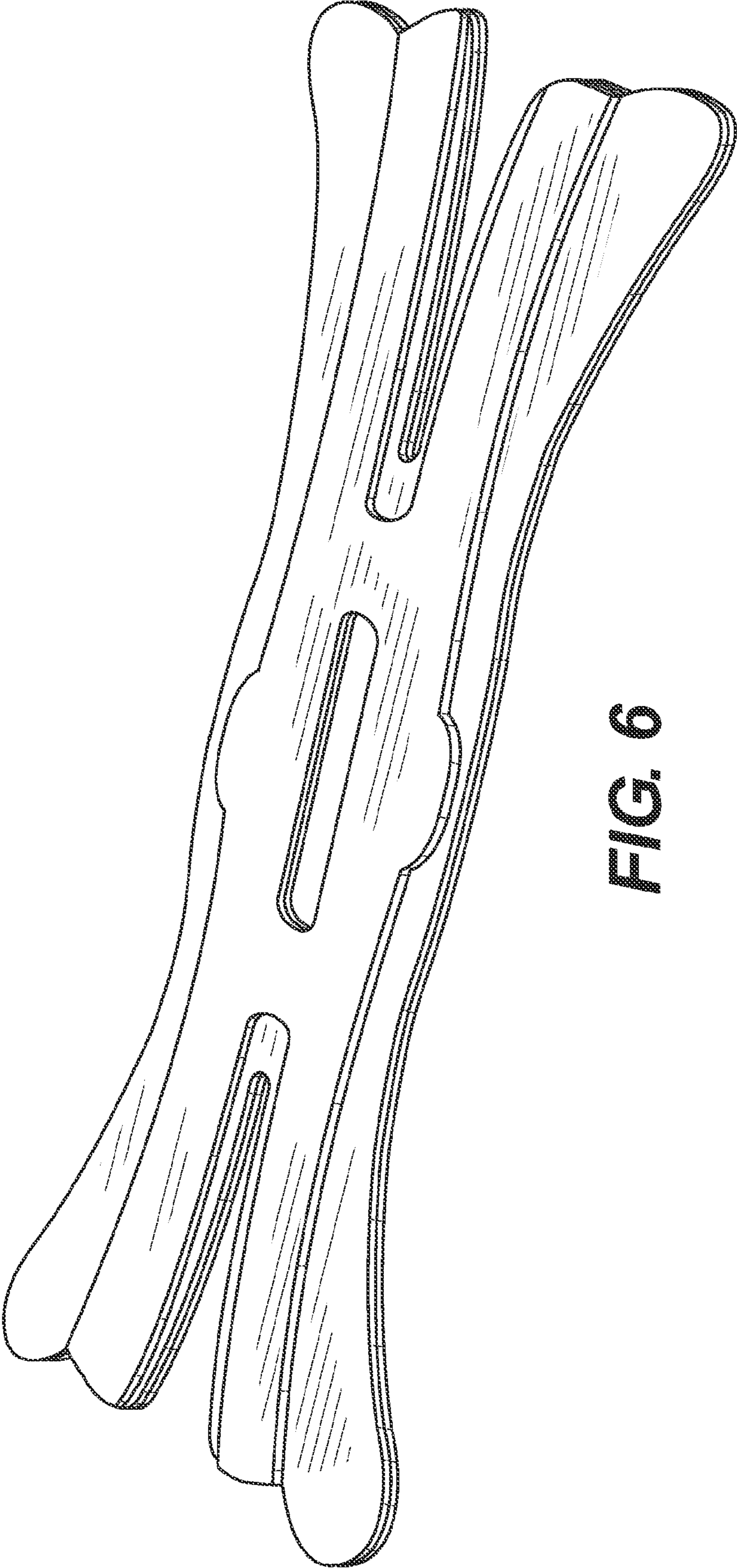


FIG. 6

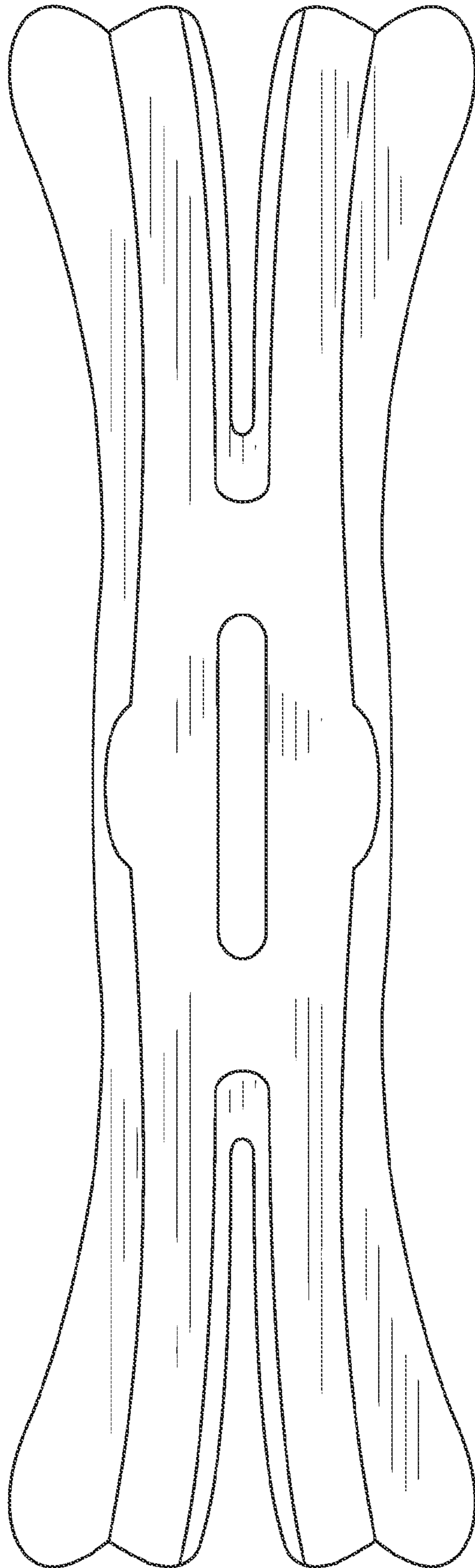


FIG. 7

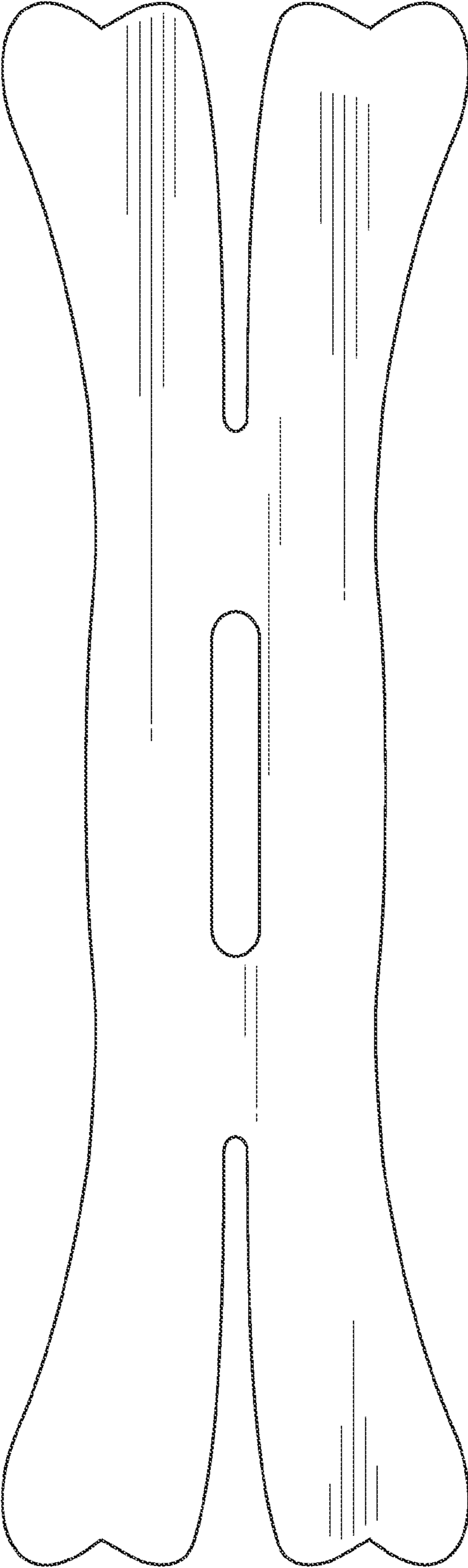


FIG. 8

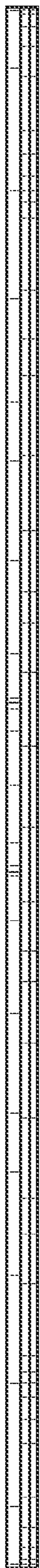


FIG. 9

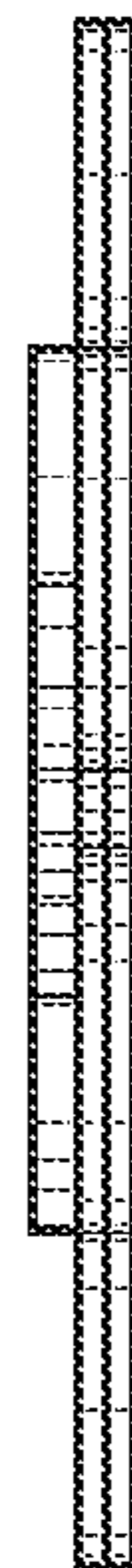


FIG. 10