



US00D673269S

(12) **United States Design Patent**
El-Mohtar

(10) **Patent No.:** **US D673,269 S**

(45) **Date of Patent:** **** Dec. 25, 2012**

(54) **COLLAPSIBLE STETHOSCOPE**

(75) Inventor: **Kody El-Mohtar**, Albany, NY (US)

(73) Assignee: **Albany Medical College**, Albany, NY (US)

(**) Term: **14 Years**

(21) Appl. No.: **29/414,262**

(22) Filed: **Feb. 27, 2012**

(51) **LOC (9) Cl.** **24-02**

(52) **U.S. Cl.** **D24/134**

(58) **Field of Classification Search** D24/134;
181/131, 132

See application file for complete search history.

(56) **References Cited**

U.S. PATENT DOCUMENTS

| | | | | |
|--------------|------|---------|---------------|---------|
| 2,715,296 | A * | 8/1955 | Pettit | 446/418 |
| 3,032,030 | A | 5/1962 | Han | |
| 3,086,610 | A | 4/1963 | Haas | |
| D284,790 | S | 7/1986 | Moore | |
| 6,006,856 | A * | 12/1999 | Skubal et al. | 181/131 |
| D589,144 | S * | 3/2009 | Bagha et al. | D24/134 |
| 7,575,094 | B1 | 8/2009 | Rosenberg | |
| 7,636,445 | B2 | 12/2009 | Yoshimine | |
| 2001/0030077 | A1 | 10/2001 | Watson | |
| 2003/0192736 | A1 * | 10/2003 | Werblud | 181/131 |

* cited by examiner

Primary Examiner — Bridget L Eland

(74) *Attorney, Agent, or Firm* — Heslin Rothenberg Farley & Mesiti P.C.

(57) **CLAIM**

The ornamental design for a collapsible stethoscope, as shown and described.

DESCRIPTION

FIG. 1 is a perspective view of a collapsible stethoscope showing my new design;

FIG. 2 is a front elevational view of the design of FIG. 1;

FIG. 3 is a rear elevational view of the design of FIG. 1;

FIG. 4 is a left side elevational view of the design of FIG. 1, where the right side elevational view is a mirror image thereof;

FIG. 5 is a top view of the design of FIG. 1;

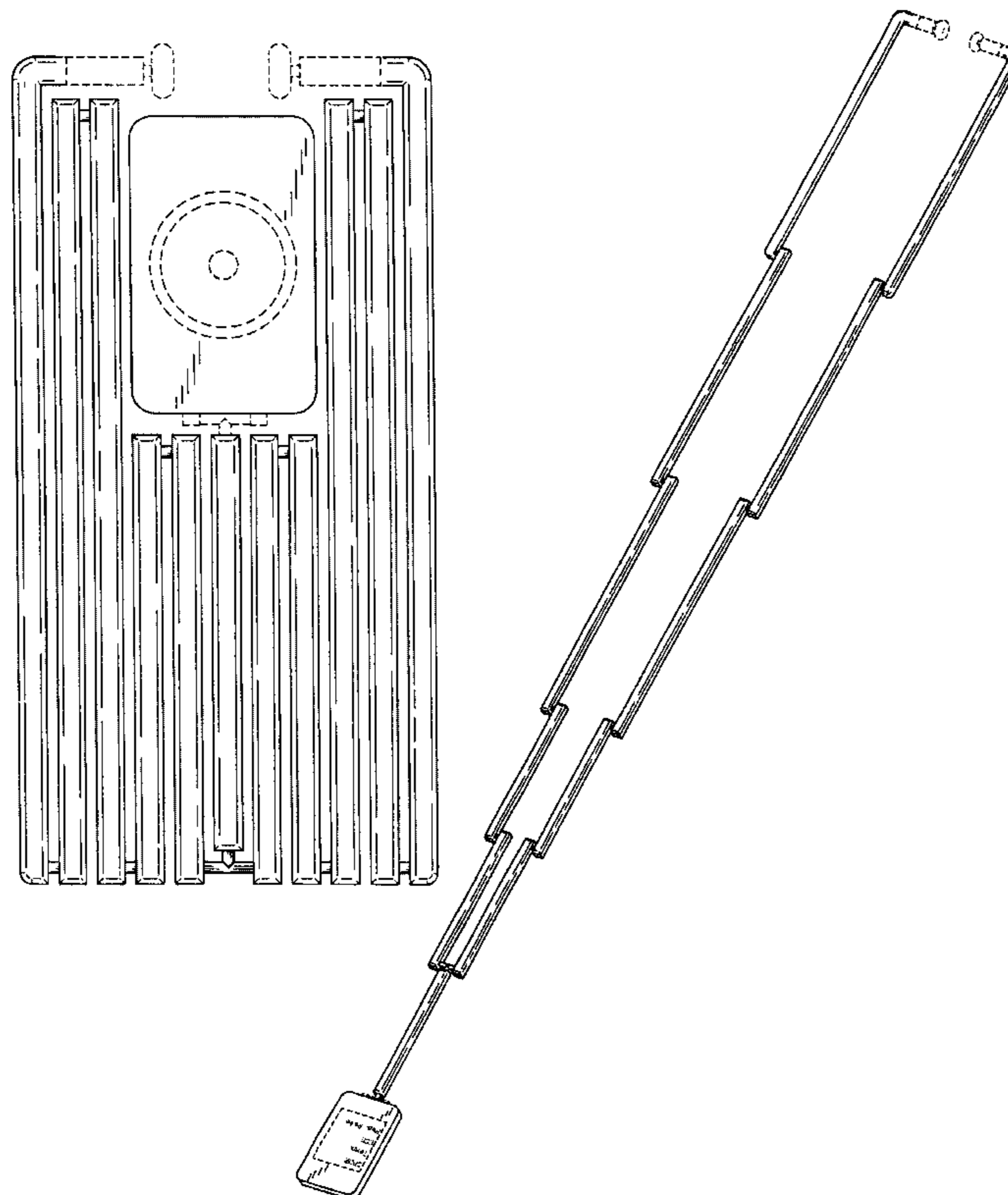
FIG. 6 is a bottom view of the design of FIG. 1; and,

FIG. 7 is a perspective view of the design of FIG. 1 in an extended state.

The outer most broken lines showing a digital display output and the diaphragm represent the bounds of the claimed design while the connecting hinge, ear buds, portion of the listening tube, and all other broken lines are directed to environment and are for illustrative purposes only; the broken lines form no part of the claimed design.

The broken lines shown in the drawings illustrates portions of the collapsible stethoscope, and form no part of the claimed design.

1 Claim, 5 Drawing Sheets



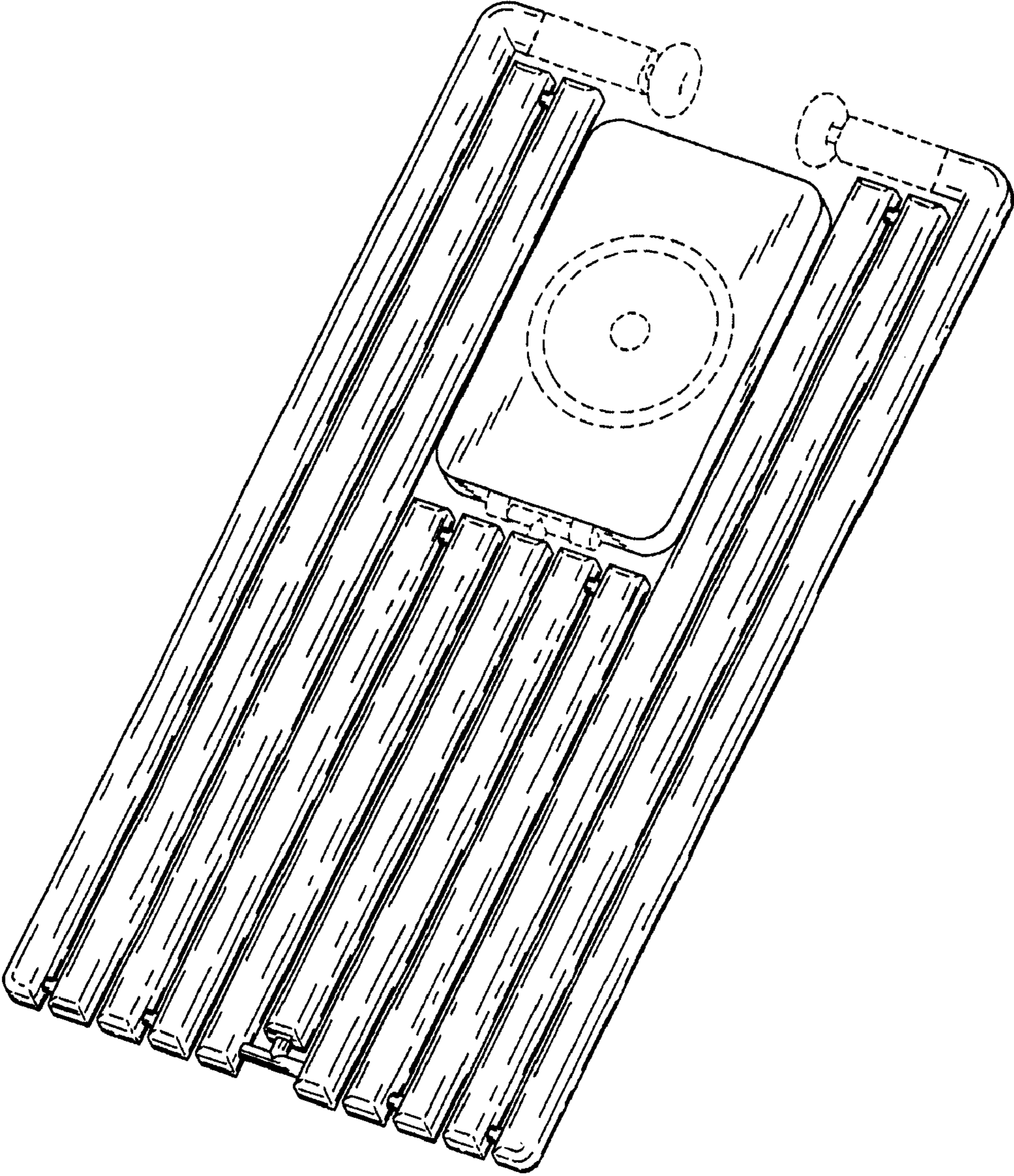


FIG. 1

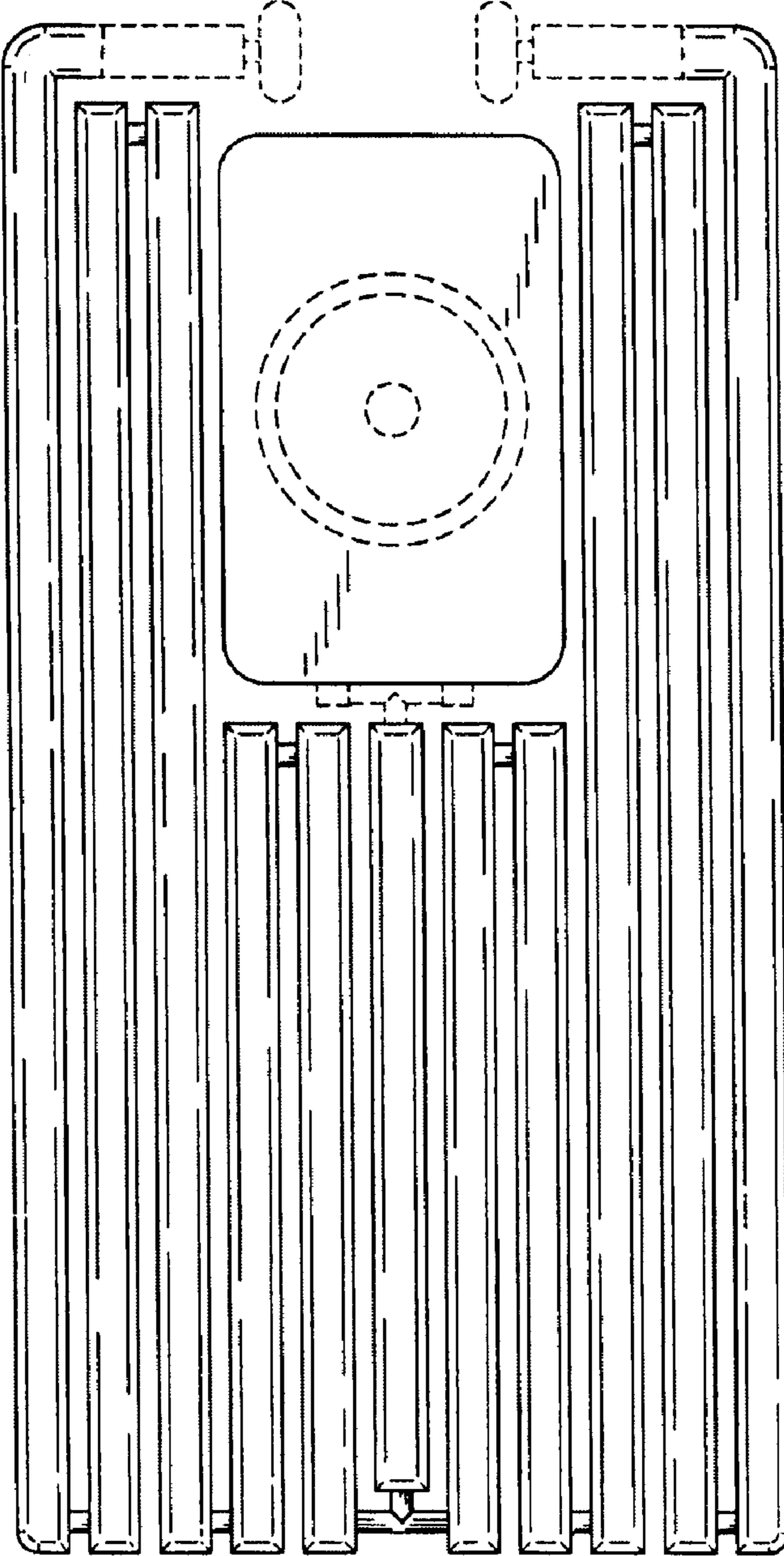


FIG. 2

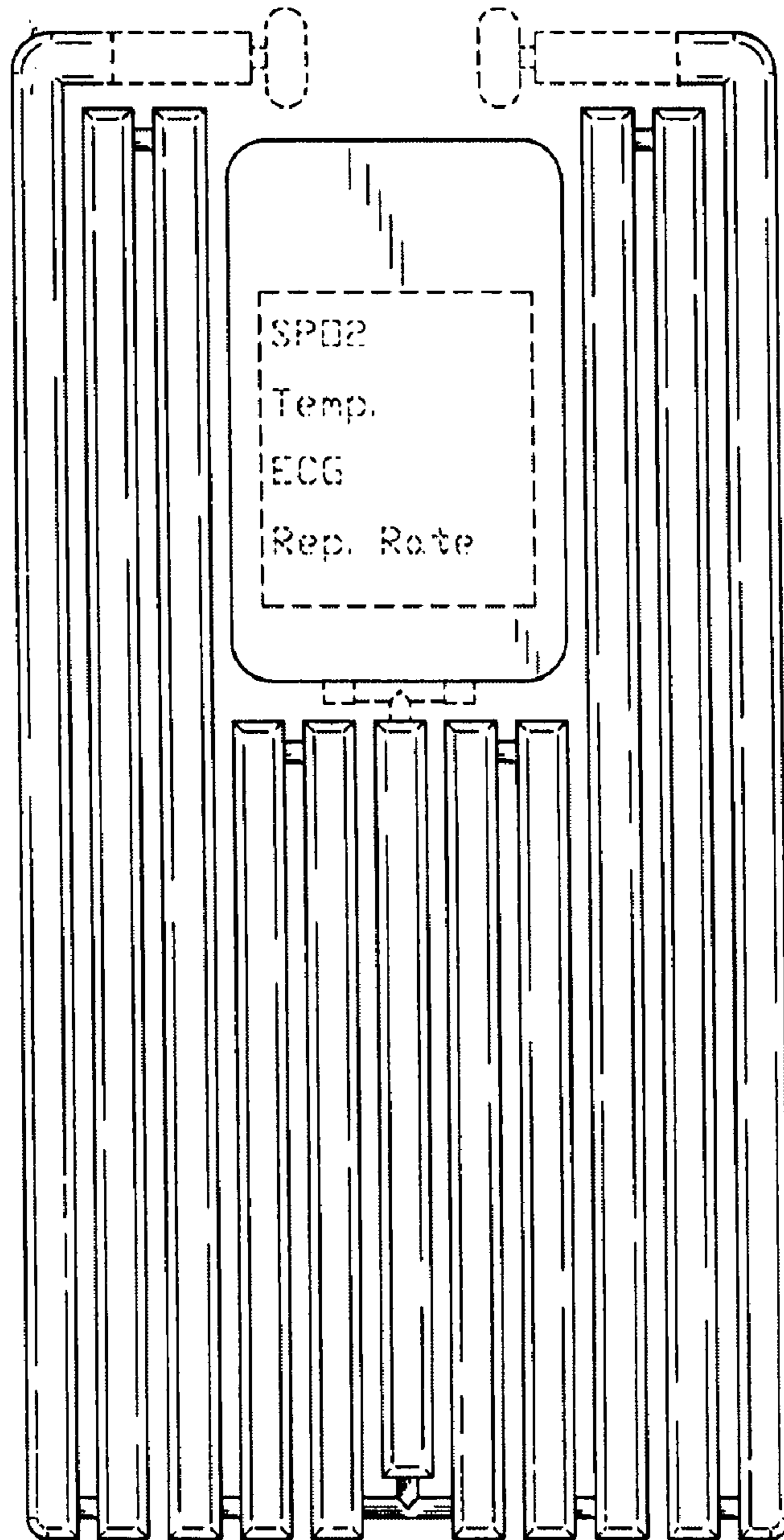


FIG. 3

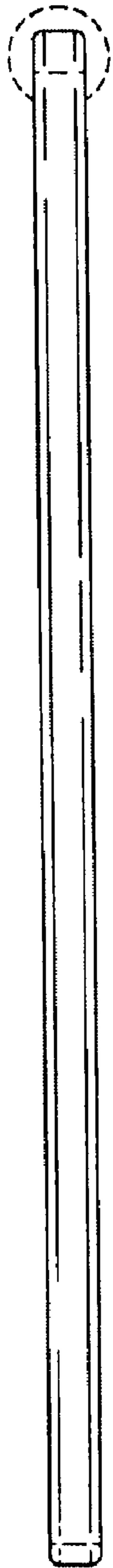


FIG. 4

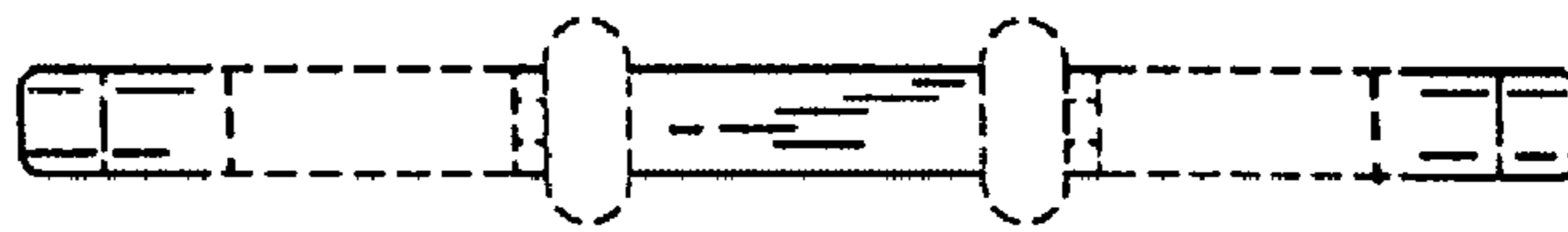


FIG. 5



FIG. 6

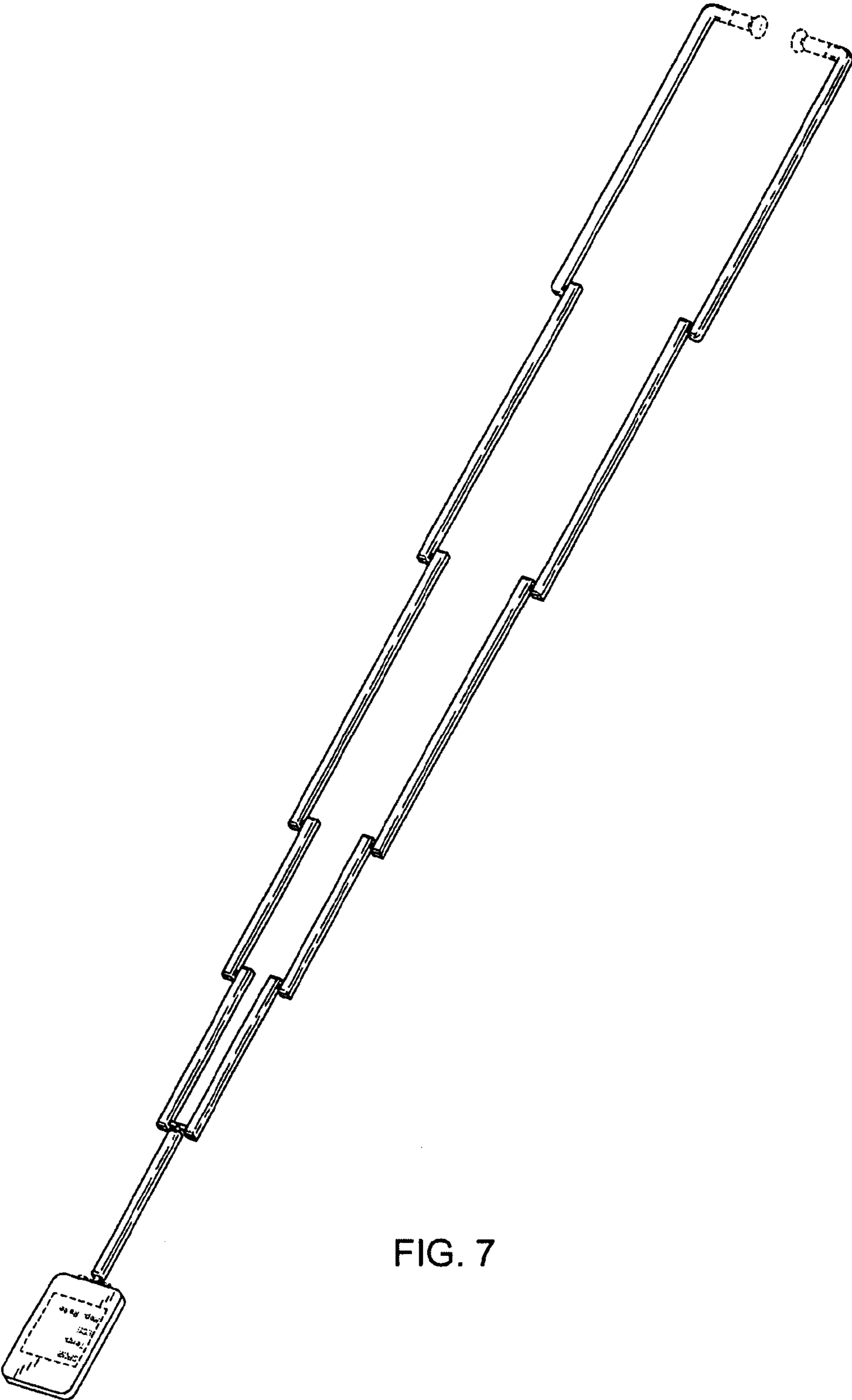


FIG. 7