

US00D673265S

(12) **United States Design Patent**  
**Nonnemacher et al.**

(10) **Patent No.:** **US D673,265 S**  
(45) **Date of Patent:** **\*\* Dec. 25, 2012**

(54) **FLUID SAMPLE COLLECTION DEVICE**

(75) Inventors: **Sheena Nonnemacher**, Bethlehem, PA (US); **Kristen Blum**, Whitehall, PA (US); **Dean Fritch**, Bally, PA (US); **Mike Savard**, Macungie, PA (US); **Keith Kardos**, Bethlehem, PA (US); **Brian Murphy**, Baltimore, MD (US); **Jeremy Savage**, Baltimore, MD (US); **Erik Askin**, Baltimore, MD (US)

D311,120	S	*	10/1990	Cautereels et al.	.....	D7/688
5,714,389	A	*	2/1998	Charlton et al.	.....	436/518
D396,109	S	*	7/1998	Piche et al.	.....	D24/152
5,934,722	A	*	8/1999	Evans	.....	294/7
6,423,550	B1	*	7/2002	Jenkins et al.	.....	436/518
6,767,714	B2	*	7/2004	Nazareth et al.	.....	435/7.5
D518,597	S	*	4/2006	Sommers	.....	D28/7
D541,599	S	*	5/2007	Quattromani	.....	D7/688
D600,509	S	*	9/2009	Gross	.....	D7/688
7,900,329	B2	*	3/2011	Chun	.....	29/278
7,966,687	B2	*	6/2011	Rahbar-Dehghan	.....	604/1

\* cited by examiner

(73) Assignee: **Orasure Technologies, Inc.**, Bethlehem, PA (US)

*Primary Examiner* — David Muller

(\*\*) Term: **14 Years**

(74) *Attorney, Agent, or Firm* — J.A. Lindeman & Co., PLLC

(21) Appl. No.: **29/397,431**

(57) **CLAIM**

(22) Filed: **Jul. 15, 2011**

The ornamental design for a fluid sample collection device, as shown and described.

(51) **LOC (9) Cl.** ..... **24-02**

(52) **U.S. Cl.** ..... **D24/119**

(58) **Field of Classification Search** ..... D24/119, D24/112-114, 152, 176, 110, 133, 186, 104, D24/130, 127; 433/96; 606/181, 185; 604/1, 604/232, 187, 158, 164.08, 192, 263, 163, 604/181, 184, 198, 227; 436/518; D7/688, D7/691; D28/7; 294/7; D8/10, 45, 47; 15/236.01; 435/7.5; 29/278

**DESCRIPTION**

See application file for complete search history.

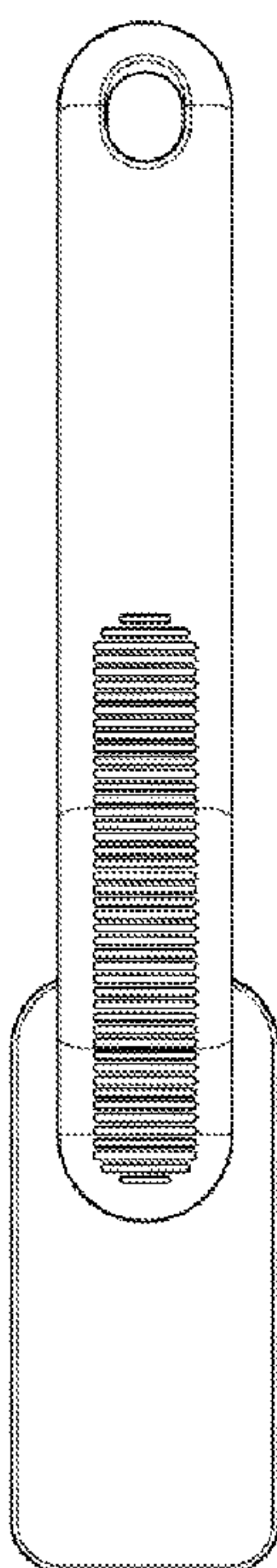
FIG. 1 is a front elevation view of an exemplary embodiment of a fluid sample collection device in accordance with our new design;  
FIG. 2 is a rear elevation view of the assembled fluid sample collection device of FIG. 1;  
FIG. 3 is a left side elevation view thereof;  
FIG. 4 is a right side elevation view thereof;  
FIG. 5 is a top plan view thereof;  
FIG. 6 is a bottom plan view thereof; and,  
FIG. 7 is an exploded perspective view of the fluid sample collection device of FIG. 1 from the top front and left side.

(56) **References Cited**

U.S. PATENT DOCUMENTS

D243,381	S	*	2/1977	Kridos	.....	D7/688
4,175,439	A	*	11/1979	Laker	.....	604/1

**1 Claim, 3 Drawing Sheets**



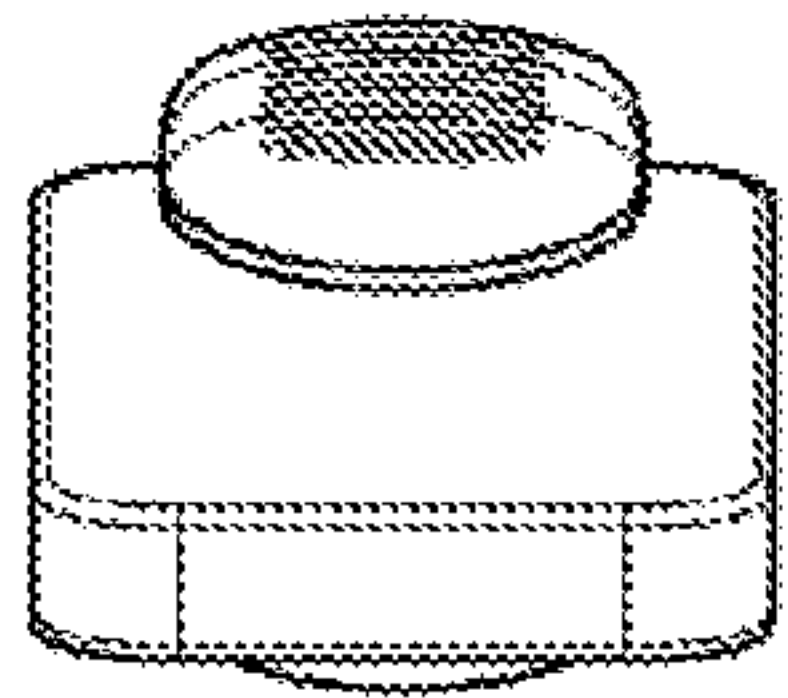


FIG. 1

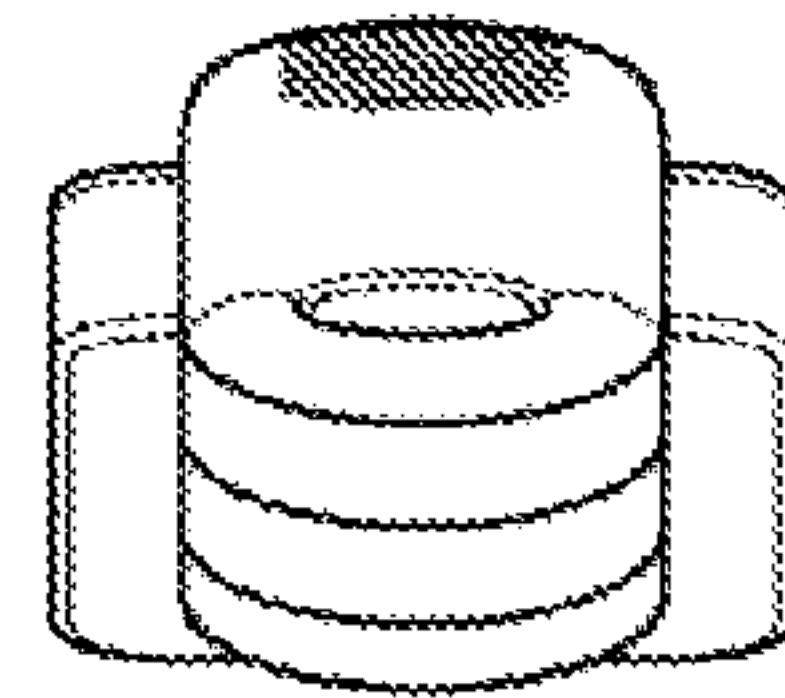


FIG. 2

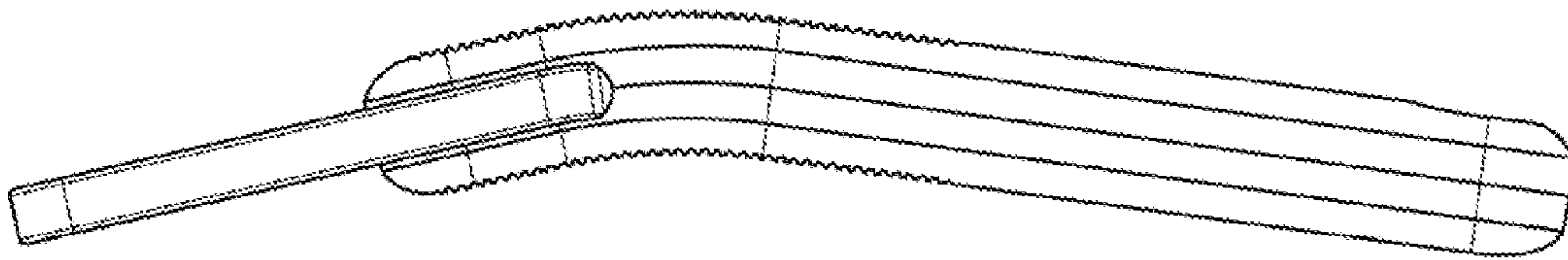


FIG. 3

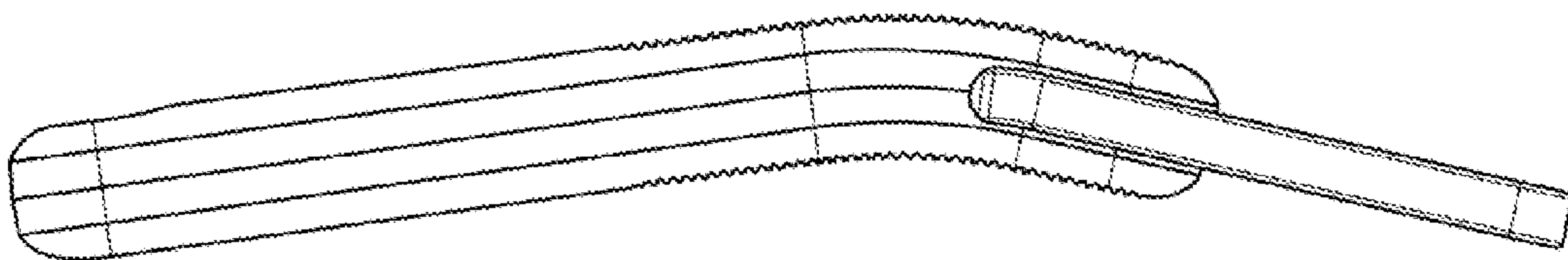


FIG. 4

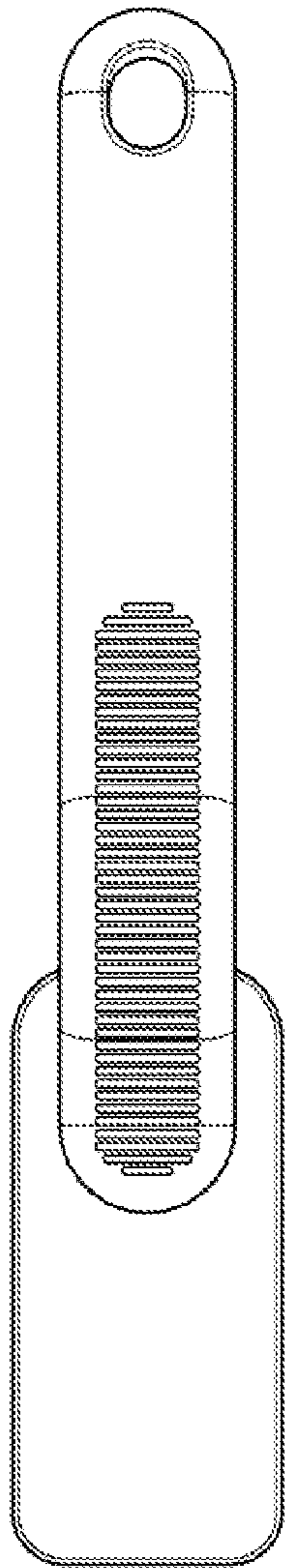


FIG. 5

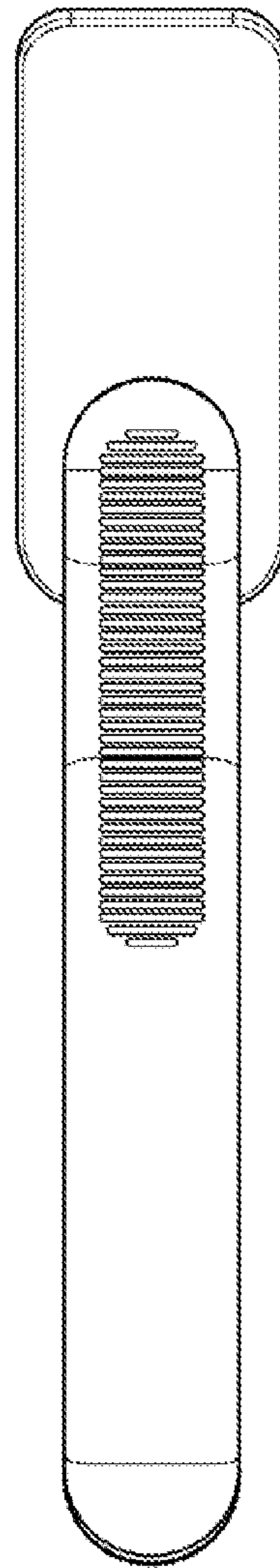


FIG. 6

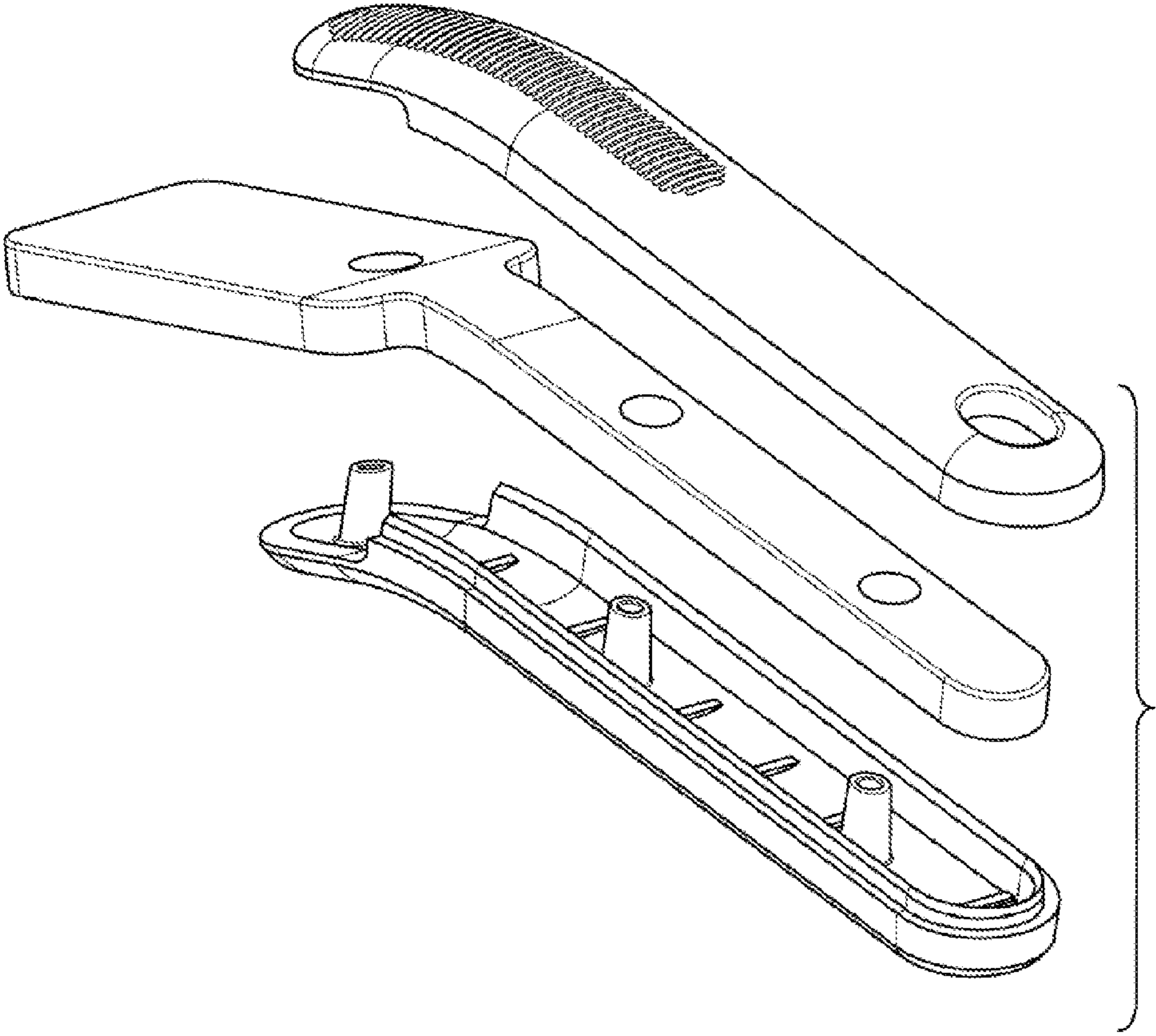


FIG. 7