

US00D673261S

(12) **United States Design Patent**
Rapoport et al.

(10) **Patent No.:** **US D673,261 S**

(45) **Date of Patent:** **** Dec. 25, 2012**

(54) **HEAD MASK FOR LABORATORY ANIMALS**

Primary Examiner — Richard E Chilcot

(75) Inventors: **Uri Rapoport**, Ben Shemeri (IL);
Itzchak Rabinovitz, Nes Ziona (IL)

(74) *Attorney, Agent, or Firm* — The Law Office of Michael
E. Kondoudis

(73) Assignee: **Aspect Imaging Ltd.**, Shoham (IL)

(**) Term: **14 Years**

(57) **CLAIM**

(21) Appl. No.: **29/375,781**

The ornamental design for a head mask for laboratory ani-
mals, as shown and described.

(22) Filed: **Sep. 27, 2010**

(51) **LOC (9) Cl.** **29-02**

(52) **U.S. Cl.** **D24/110**

(58) **Field of Classification Search** D21/333;
128/202.27, 203.12, 203.29; 211/13.1; D24/110,
D24/110.1–110.6

See application file for complete search history.

DESCRIPTION

(56) **References Cited**

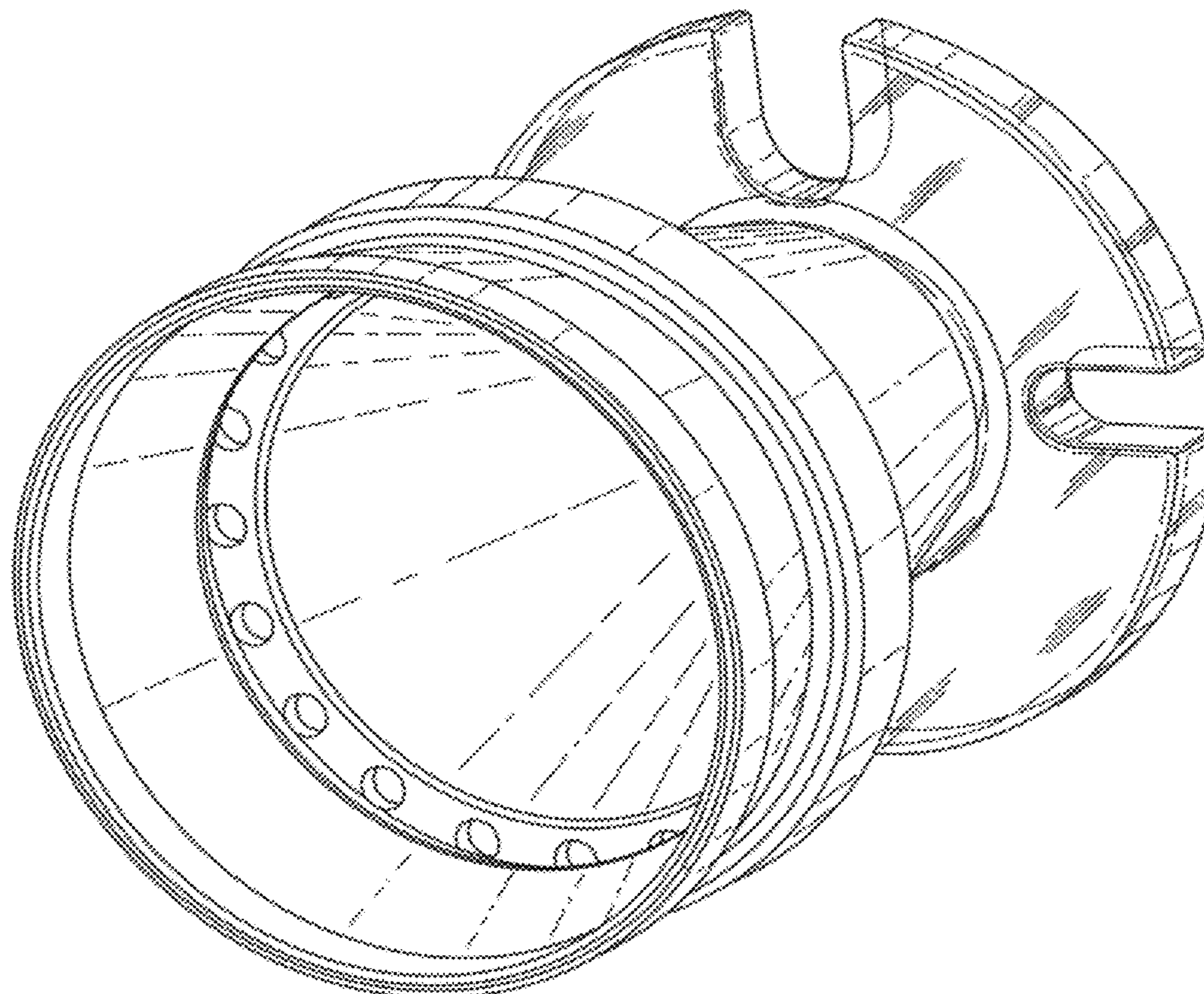
U.S. PATENT DOCUMENTS

4,633,890	A *	1/1987	Carden	128/202.27
6,363,931	B1 *	4/2002	Dellenbusch	128/202.27
2004/0216937	A1 *	11/2004	Sena	180/170

* cited by examiner

FIG. 1 is a top view of a head mask for laboratory animals
showing our new design;
FIG. 2 is a top side view;
FIG. 3. is a right side view thereof;
FIG. 4 is a bottom side view thereof;
FIG. 5 is a right view thereof;
FIG. 6 is bottom view thereof; and,
FIG. 7 is a front perspective view thereof.

1 Claim, 7 Drawing Sheets



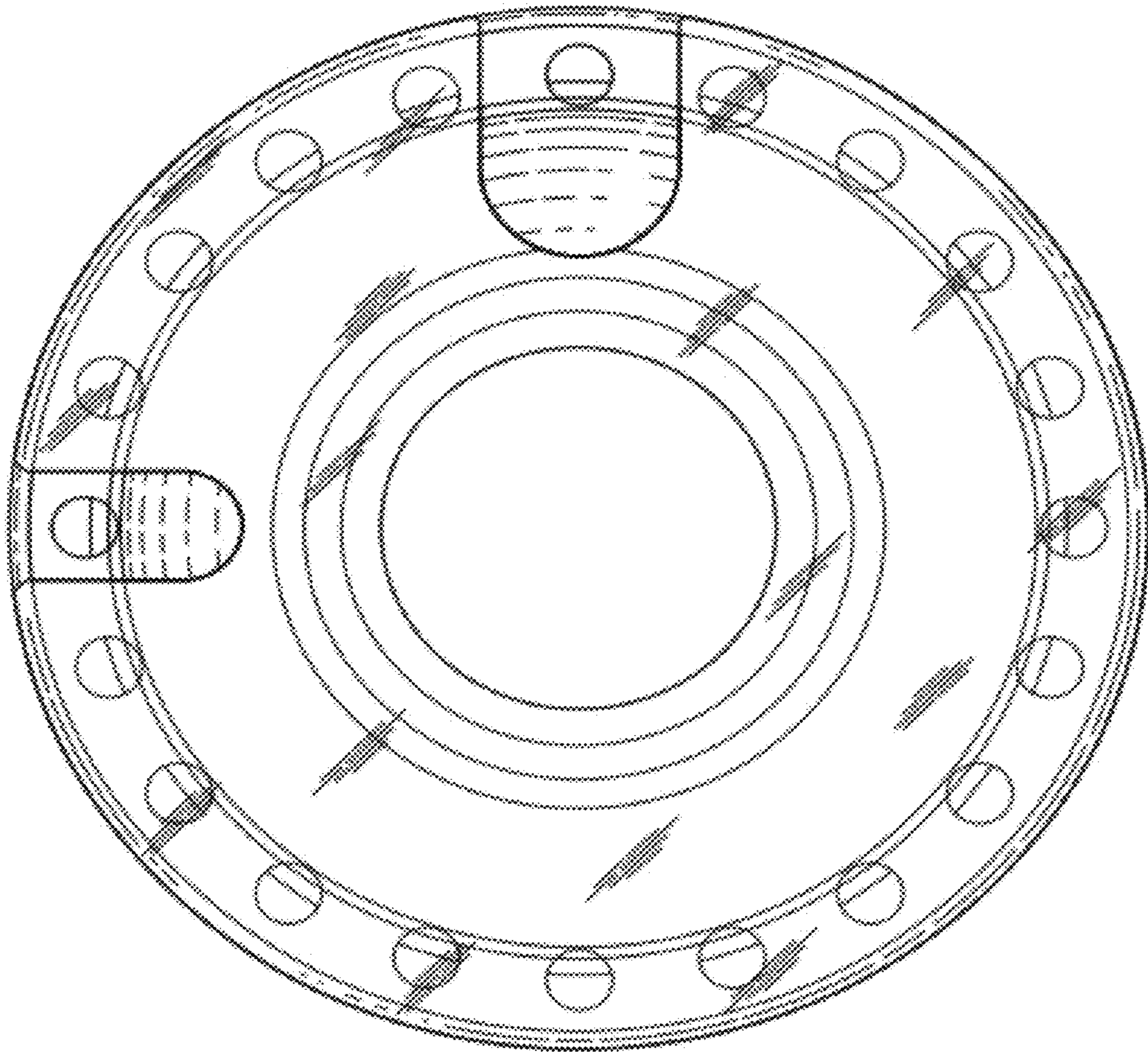


FIG. 1

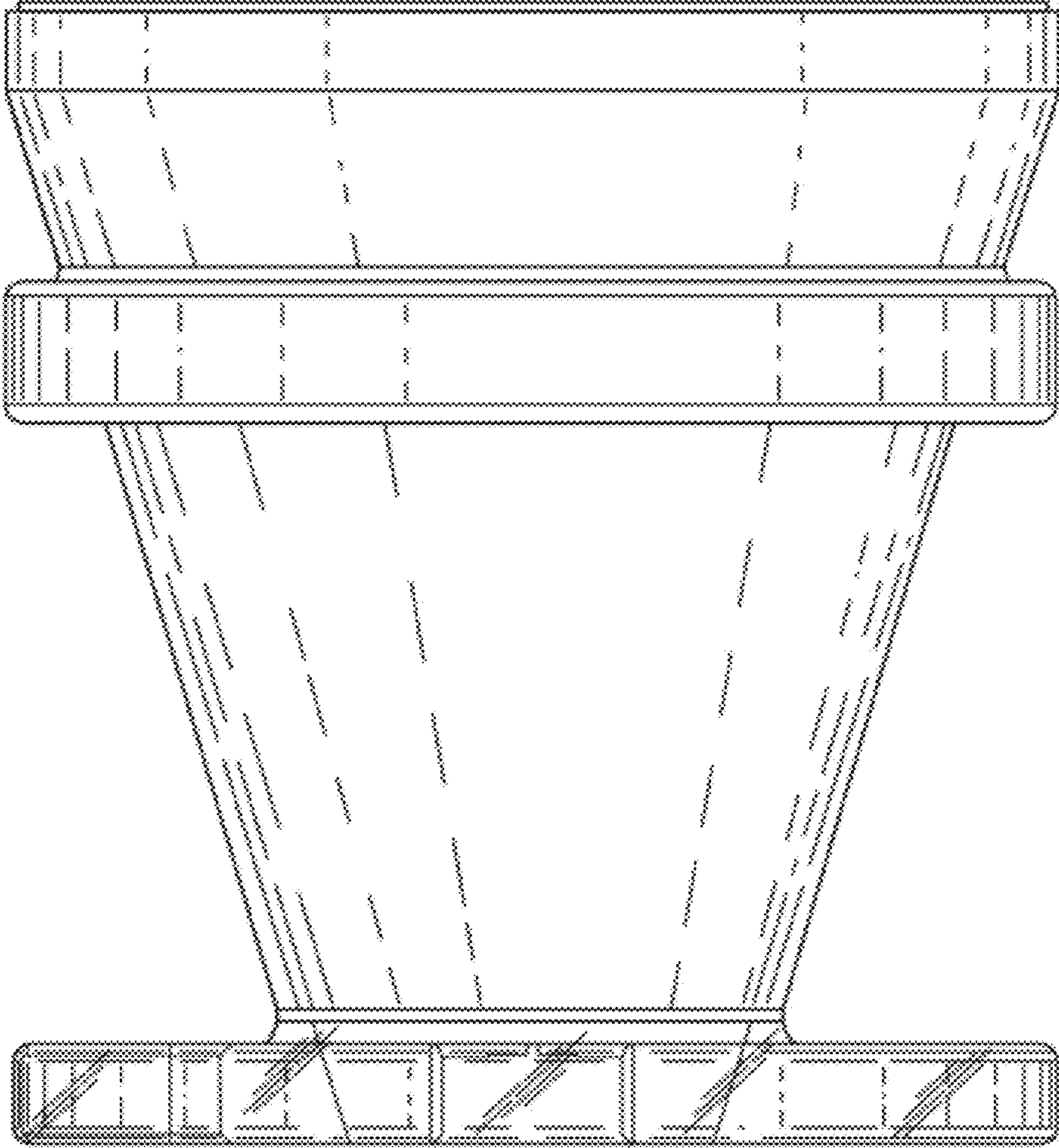


FIG. 2

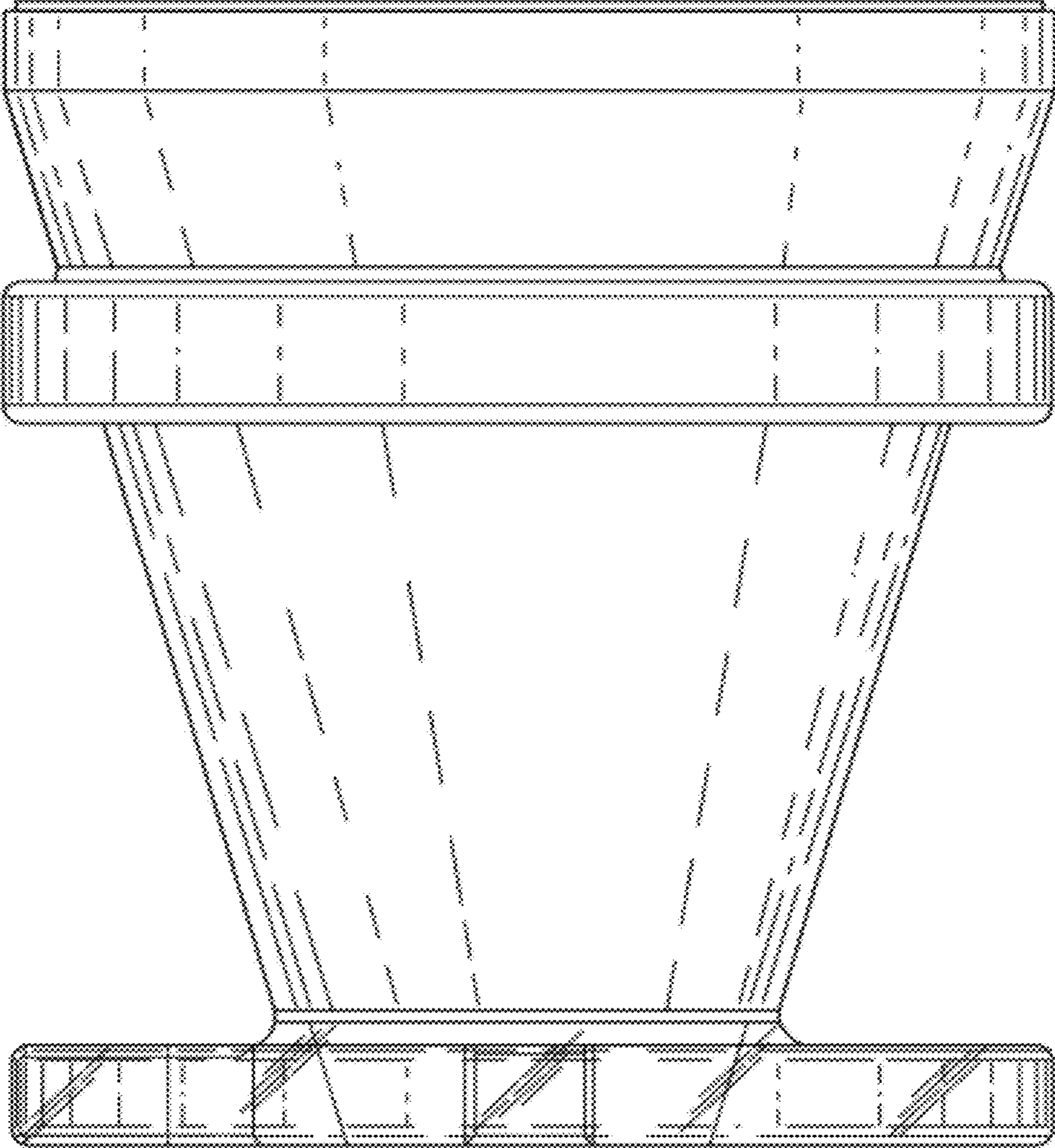


FIG. 3

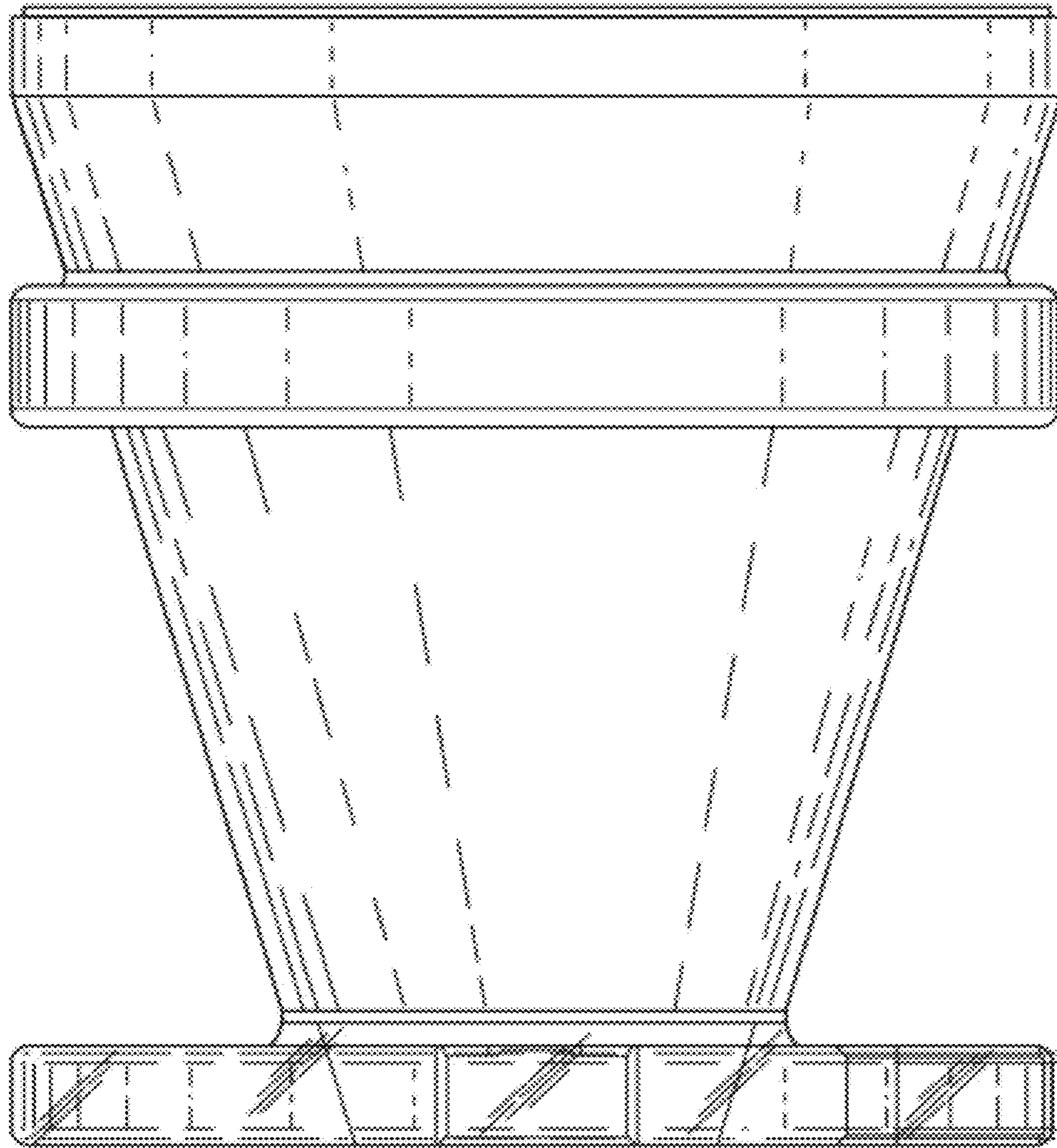


FIG. 4

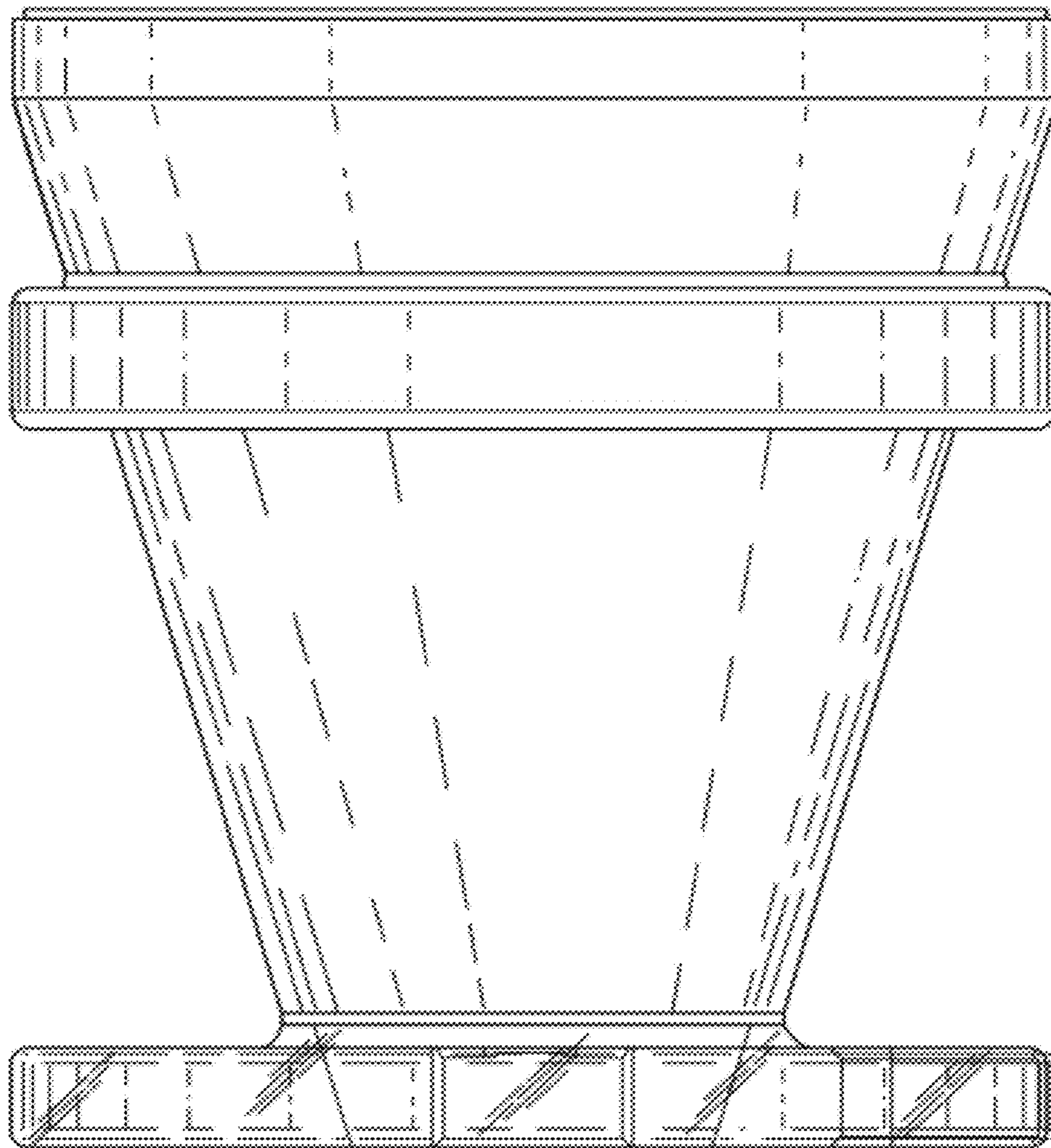


FIG. 5

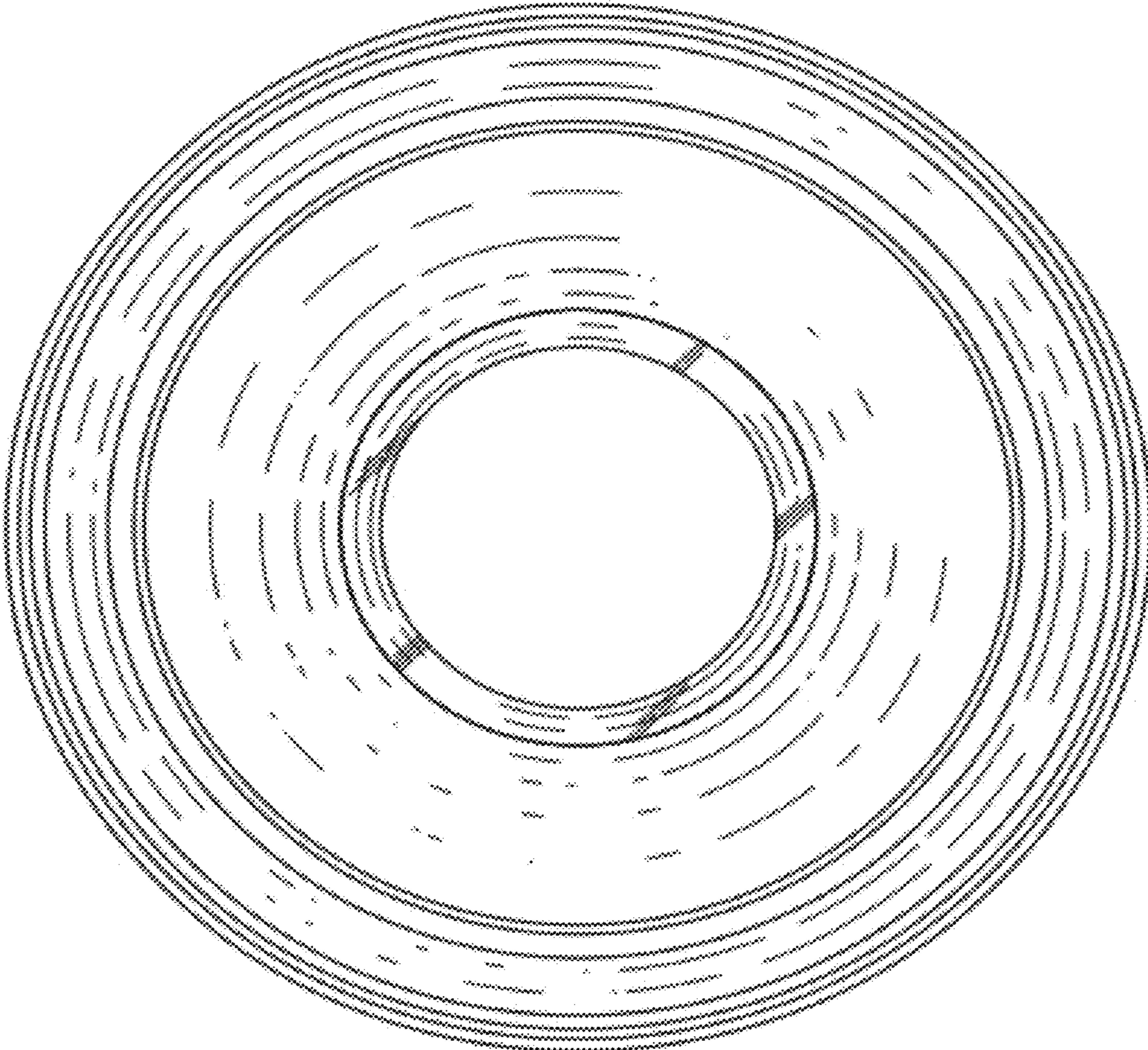


FIG. 6

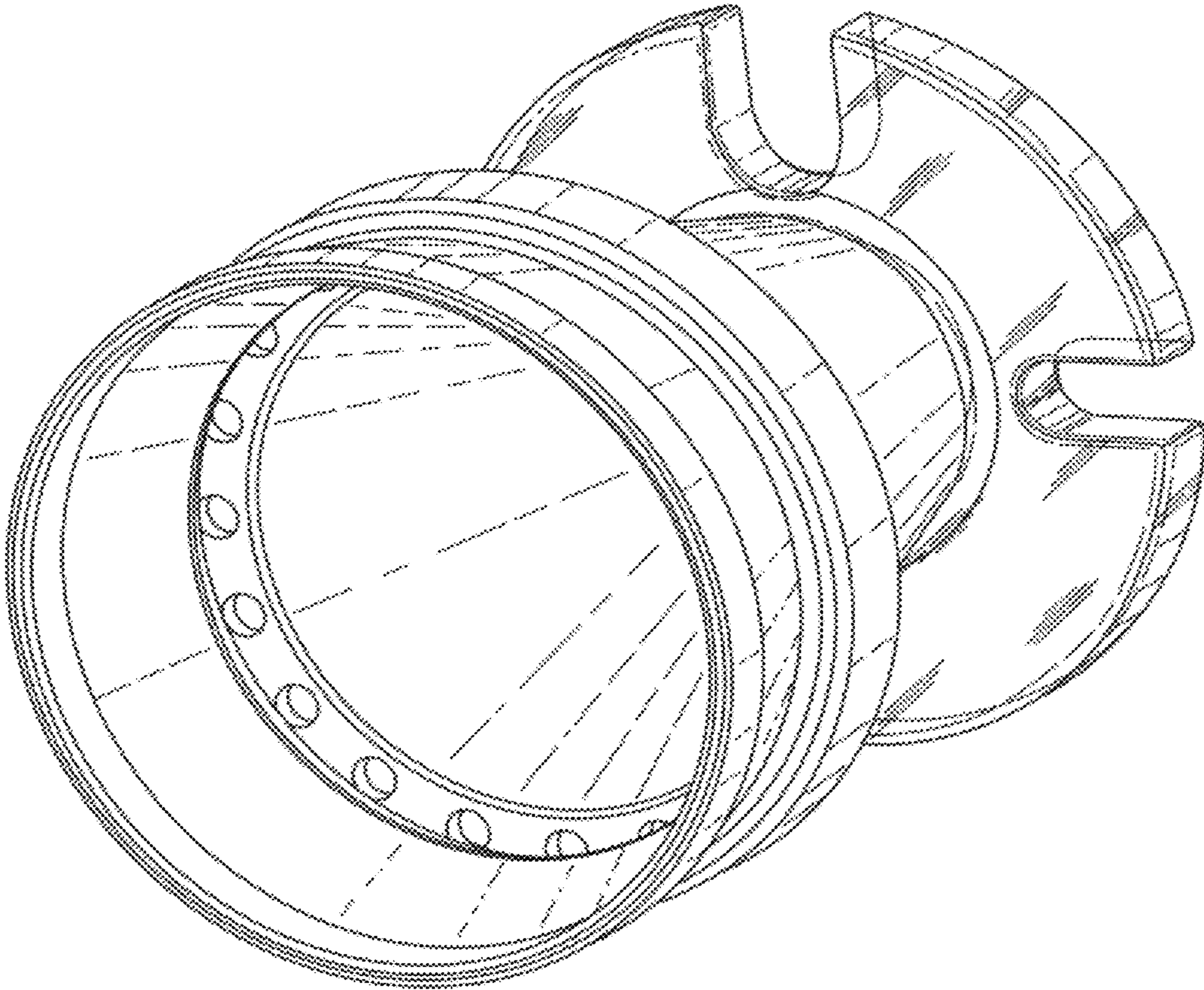


FIG. 7