



US00D673258S

(12) **United States Design Patent**  
**Jowett et al.**

(10) **Patent No.:** **US D673,258 S**

(45) **Date of Patent:** **\*\* Dec. 25, 2012**

(54) **ORAL FLUID COLLECTION DEVICE**

(75) Inventors: **Gordon Thomas Jowett**, Oxfordshire (GB); **Andrew James Woodhead**, Monmouth (GB)

(73) Assignee: **Concateno PLC**, London (GB)

(\*\*) Term: **14 Years**

(21) Appl. No.: **29/349,888**

(22) Filed: **May 14, 2010**

(30) **Foreign Application Priority Data**

Nov. 16, 2009 (EM) ..... 001636325

(51) **LOC (9) Cl.** ..... **24-01**

(52) **U.S. Cl.** ..... **D24/108; D24/133**

(58) **Field of Classification Search** ..... D8/90, D8/94; D24/108, 119, 133, 144, 146, 147; D28/57; 73/864.72, 864.91; 600/573; 606/84; D30/156; D10/47, 114.9; D21/402; D22/117; D26/42

See application file for complete search history.

(56) **References Cited**

**U.S. PATENT DOCUMENTS**

3,411,723	A *	11/1968	Kohn	.....	241/168
D392,386	S *	3/1998	Nguyen	.....	D24/147
D408,534	S *	4/1999	Jansheski	.....	D24/147
5,984,935	A *	11/1999	Welt et al.	.....	606/161
D470,240	S *	2/2003	Niedbala et al.	.....	D24/216
D497,559	S *	10/2004	Johnson	.....	D10/47
D518,597	S *	4/2006	Sommers	.....	D28/7
7,114,403	B2 *	10/2006	Wu et al.	.....	73/864.72
D536,452	S *	2/2007	Geiberger et al.	.....	D24/147
7,282,181	B2 *	10/2007	Hudak et al.	.....	422/549
D584,813	S *	1/2009	Watanabe	.....	D24/119
D594,122	S *	6/2009	Mettler, Jr.	.....	D24/136
D612,048	S *	3/2010	Baynham	.....	D24/146
D614,297	S *	4/2010	Criscuolo et al.	.....	D24/133
D627,882	S *	11/2010	Slowey et al.	.....	D24/133
7,879,293	B2 *	2/2011	Niedbala et al.	.....	422/501

D640,794	S *	6/2011	Sunstrum et al.	.....	D24/216
2002/0146346	A1 *	10/2002	Konecke	.....	422/56
2004/0220498	A1 *	11/2004	Li et al.	.....	600/584
2006/0057027	A1 *	3/2006	Hudak et al.	.....	422/99
2008/0139962	A1 *	6/2008	Jehanli et al.	.....	600/573
2009/0024060	A1 *	1/2009	Darrigrand et al.	.....	600/584
2010/0137741	A1 *	6/2010	Slowey et al.	.....	600/573
2011/0283776	A1 *	11/2011	Wu	.....	73/31.05
2012/0067144	A1 *	3/2012	Slowey et al.	.....	73/864.73
2012/0071789	A1 *	3/2012	Jowett et al.	.....	600/573

**OTHER PUBLICATIONS**

Concateno, [online], [retrieved on Jul. 24, 2012]. Retrieved from, <<http://www.concateno.com/about-us/innovations/>>, 1 page.\*  
Terascan Hand Held Metal Detector, [online], [retrieved on Aug. 13, 2012]. Retrieved from, <<http://dmq1219.en.made-in-china.com/offer/pMkmDtCHgli/Sell-Terascan-Hand-Held-Metal-Detector.html>>, 1 page.\*

\* cited by examiner

*Primary Examiner* — Jeffrey D Asch

*Assistant Examiner* — Shannon Weekley

(74) *Attorney, Agent, or Firm* — Flynn, Thiel, Boutell & Tanis, P.C.

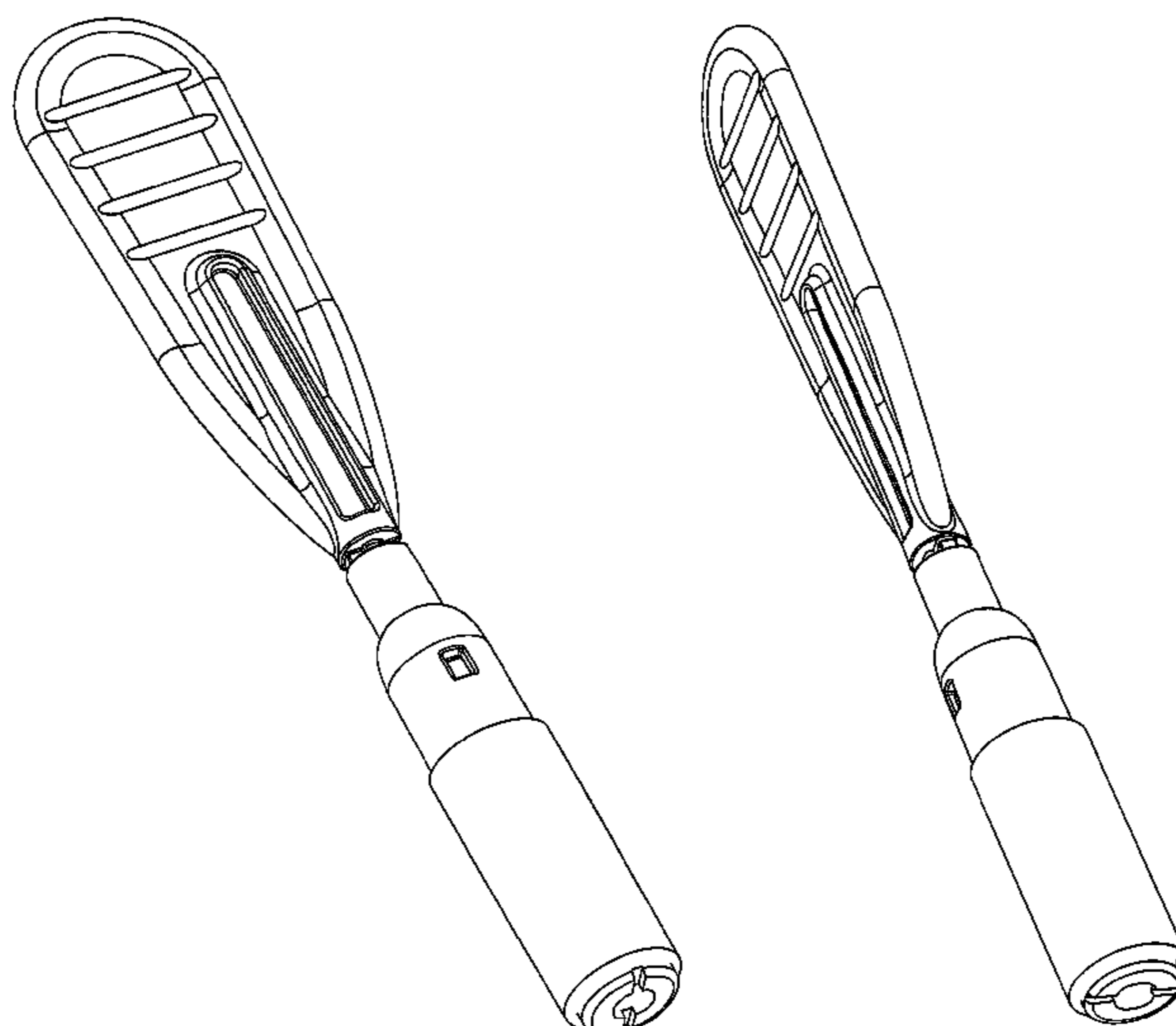
(57) **CLAIM**

The ornamental design for an oral fluid collection device, as shown and described herein.

**DESCRIPTION**

FIG. 1 is a perspective view of an oral fluid collection device showing our new design;  
FIG. 2 is a perspective view of the oral fluid collection device of FIG. 1 as rotated approximately 90 degrees;  
FIG. 3 is a front perspective view of the oral fluid collection device of FIG. 1;  
FIG. 4 is a front, top perspective view of the oral fluid collection device of FIG. 1; and,  
FIG. 5 is a top perspective view of the oral fluid collection device of FIG. 1.

**1 Claim, 3 Drawing Sheets**



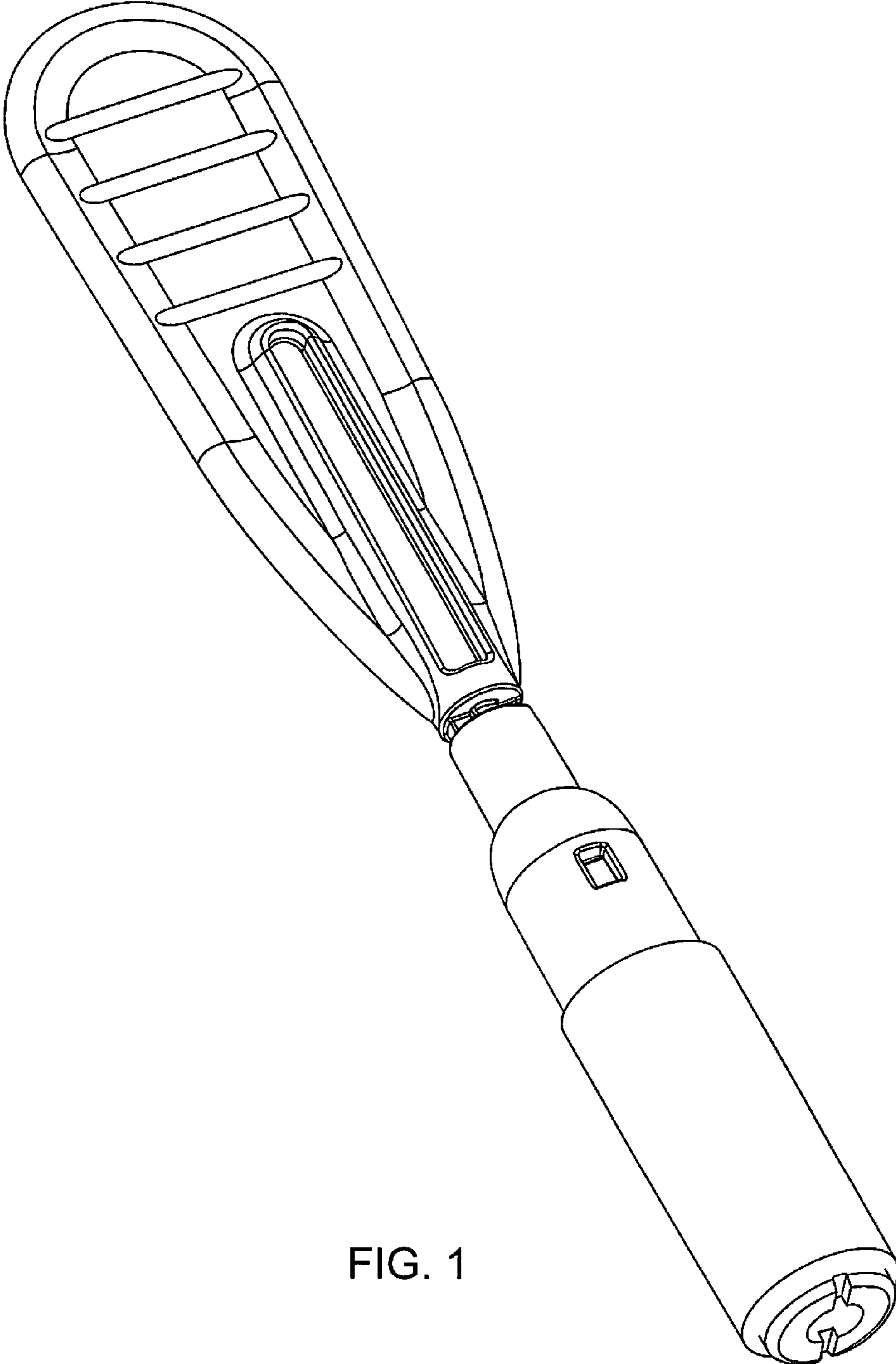


FIG. 1

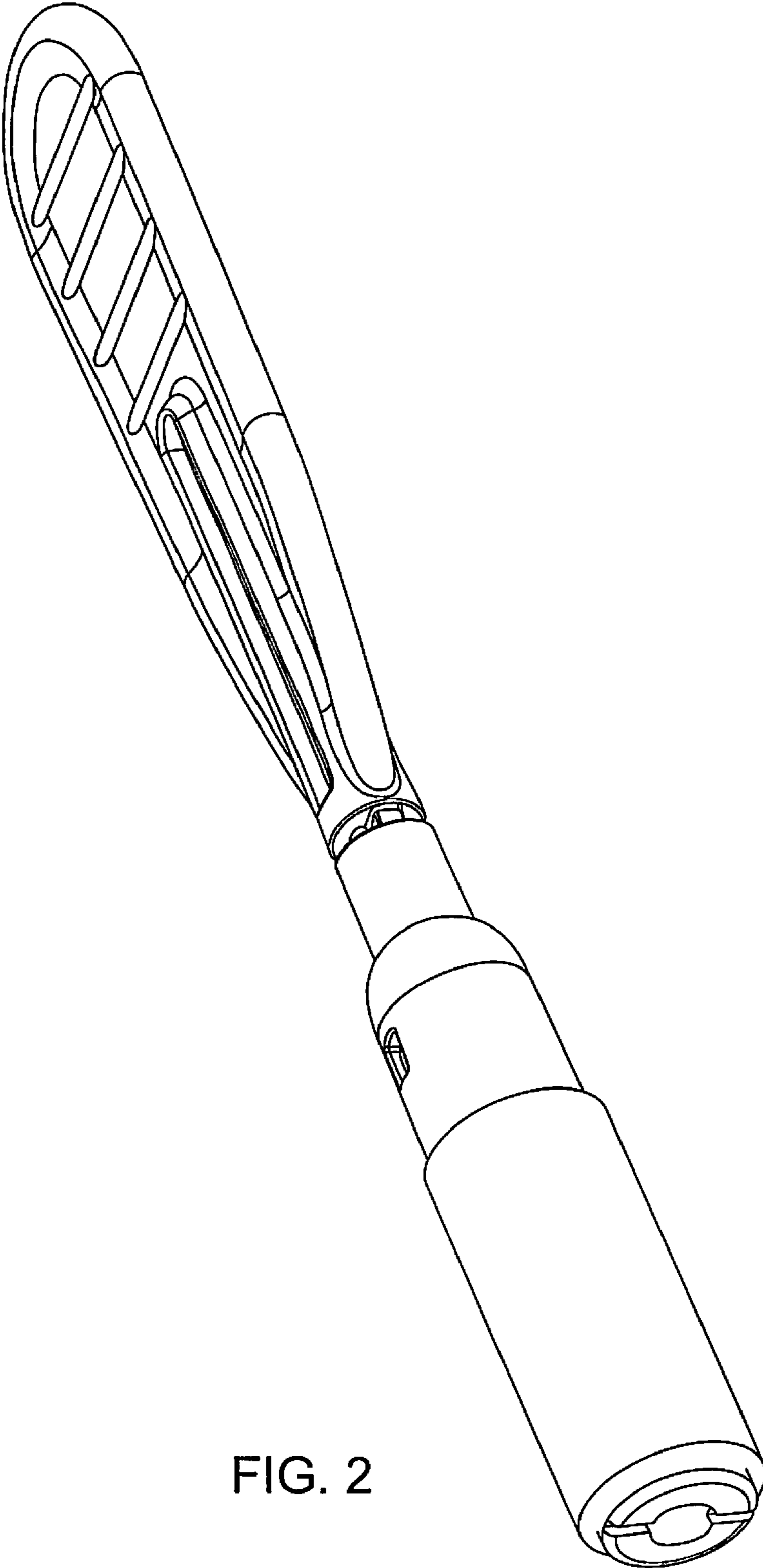


FIG. 2

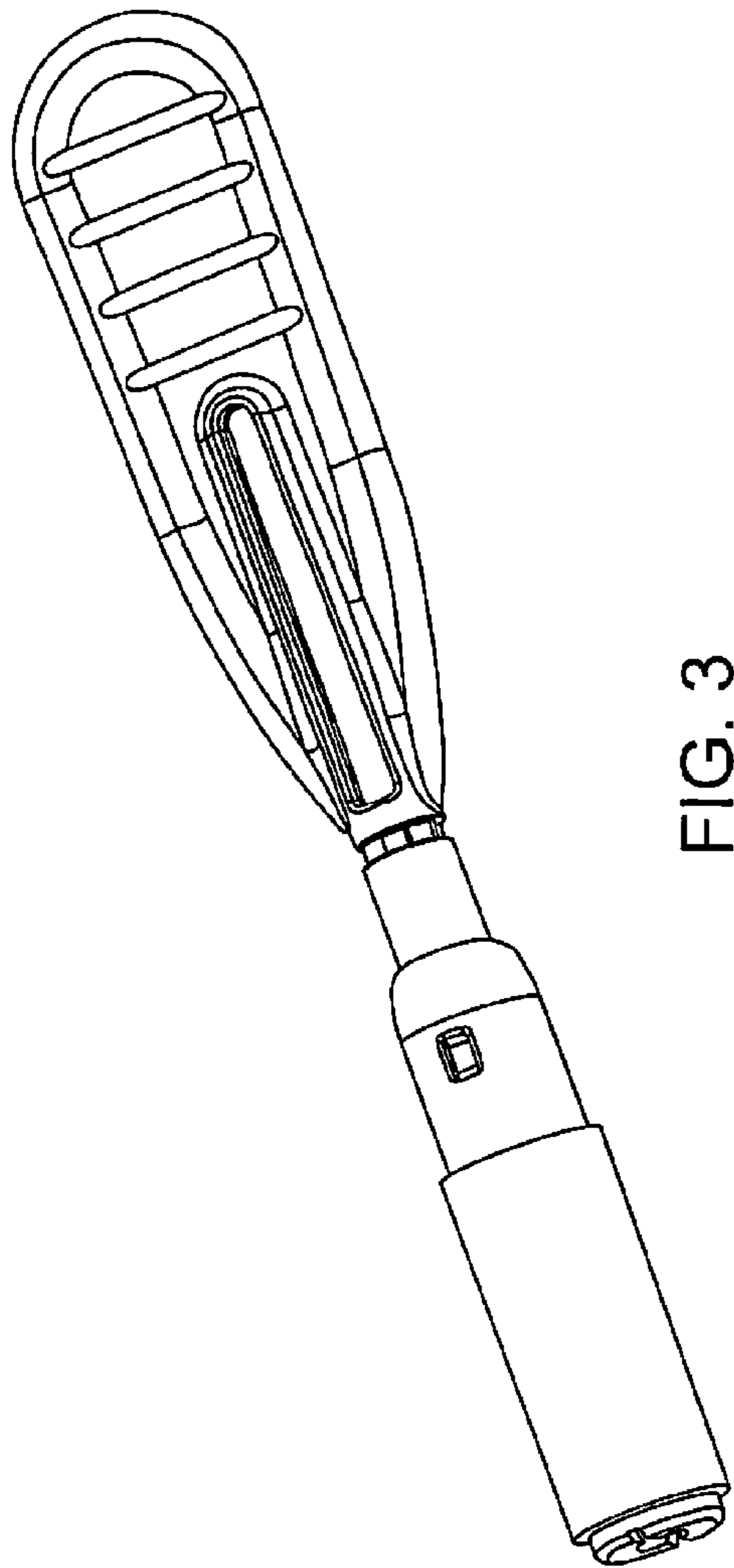


FIG. 3

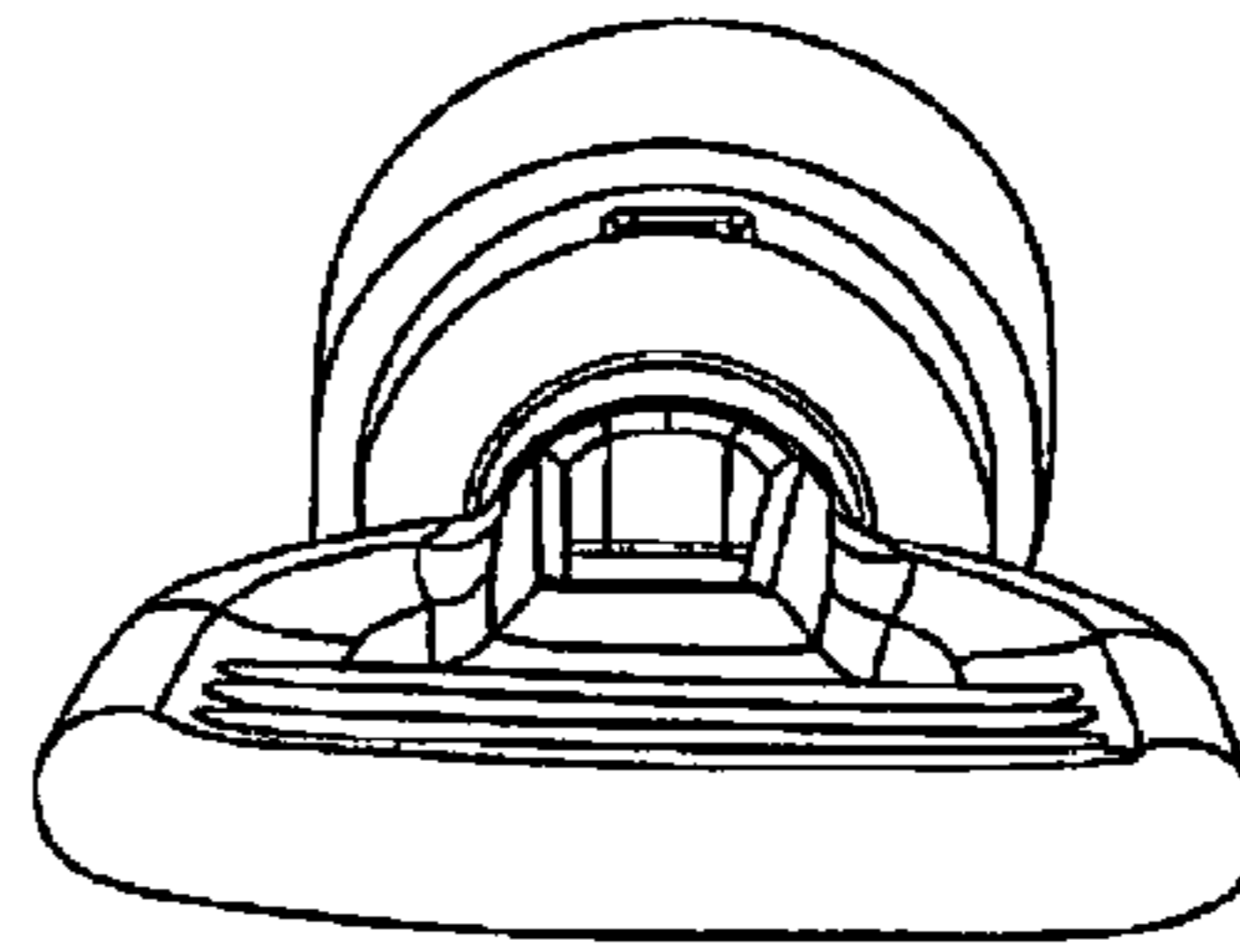


FIG. 5

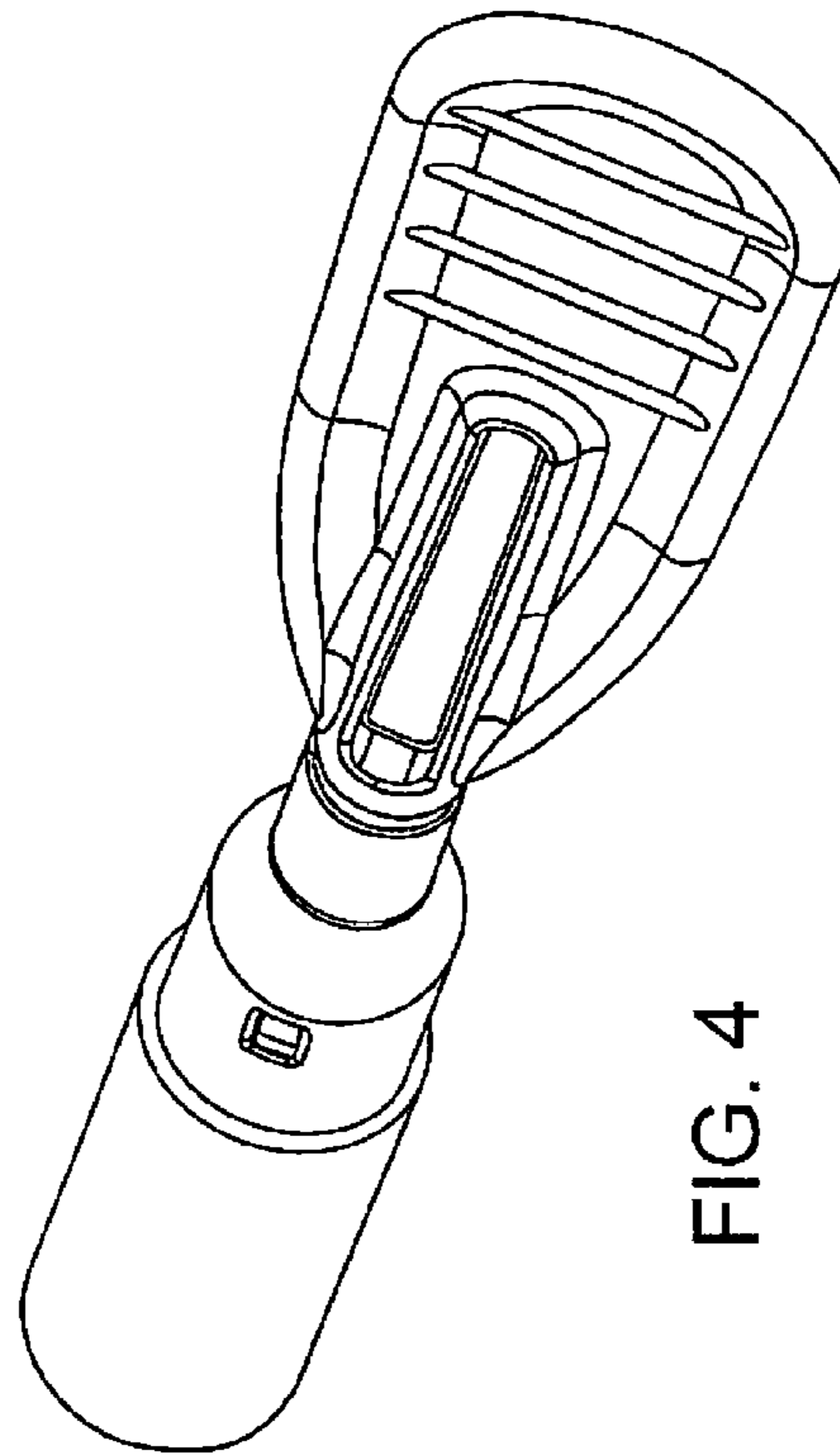


FIG. 4