



US00D673256S

(12) **United States Design Patent**  
**Shapiro**

(10) **Patent No.:** **US D673,256 S**

(45) **Date of Patent:** **\*\* Dec. 25, 2012**

(54) **BODY FOR A PORTABLE FAN**

(75) Inventor: **Barry Shapiro**, Doylestown, PA (US)

(73) Assignee: **Lasko Holdings, Inc.**, Wilmington, DE (US)

(\*\*) Term: **14 Years**

(21) Appl. No.: **29/374,507**

(22) Filed: **Aug. 24, 2011**

(51) **LOC (9) Cl.** ..... **23-04**

(52) **U.S. Cl.** ..... **D23/411; D23/370**

(58) **Field of Classification Search** ..... D23/314,  
D23/328, 335, 336, 341, 355, 370, 381, 382,  
D23/386, 411-414; 415/90, 121.2, 181,  
415/182.1, 208.2, 209.2, 211.2; 416/63,  
416/246, 247 R; 417/423.15

See application file for complete search history.

(56) **References Cited**

**U.S. PATENT DOCUMENTS**

4,927,324	A *	5/1990	Coup et al.	.....	415/121.2
D336,512	S *	6/1993	Cunning	.....	D23/411
5,295,811	A *	3/1994	Chiu	.....	417/423.15
5,304,040	A *	4/1994	Wang	.....	416/247 R
5,391,056	A *	2/1995	Wang	.....	416/247 R
D359,116	S *	6/1995	Marvin et al.	.....	D23/382
D397,192	S *	8/1998	Chiu et al.	.....	D23/328
D398,983	S *	9/1998	Keller et al.	.....	D23/382
D400,242	S *	10/1998	Litvin	.....	D23/382
D405,520	S *	2/1999	Birdsell et al.	.....	D23/382

D421,114	S *	2/2000	Lozzio et al.	.....	D23/382
D440,648	S *	4/2001	Lee et al.	.....	D23/382
D447,552	S *	9/2001	Lee et al.	.....	D23/382
D539,402	S *	3/2007	Blateri	.....	D23/336
7,316,540	B2 *	1/2008	Russak et al.	.....	416/63
D621,025	S *	8/2010	Peterson et al.	.....	D23/382
D621,026	S *	8/2010	Peterson et al.	.....	D23/382
D645,952	S *	9/2011	Peterson et al.	.....	D23/411

\* cited by examiner

*Primary Examiner* — Janice Seeger

*Assistant Examiner* — Martie K Holtje

(74) *Attorney, Agent, or Firm* — Martin Fruitman

(57) **CLAIM**

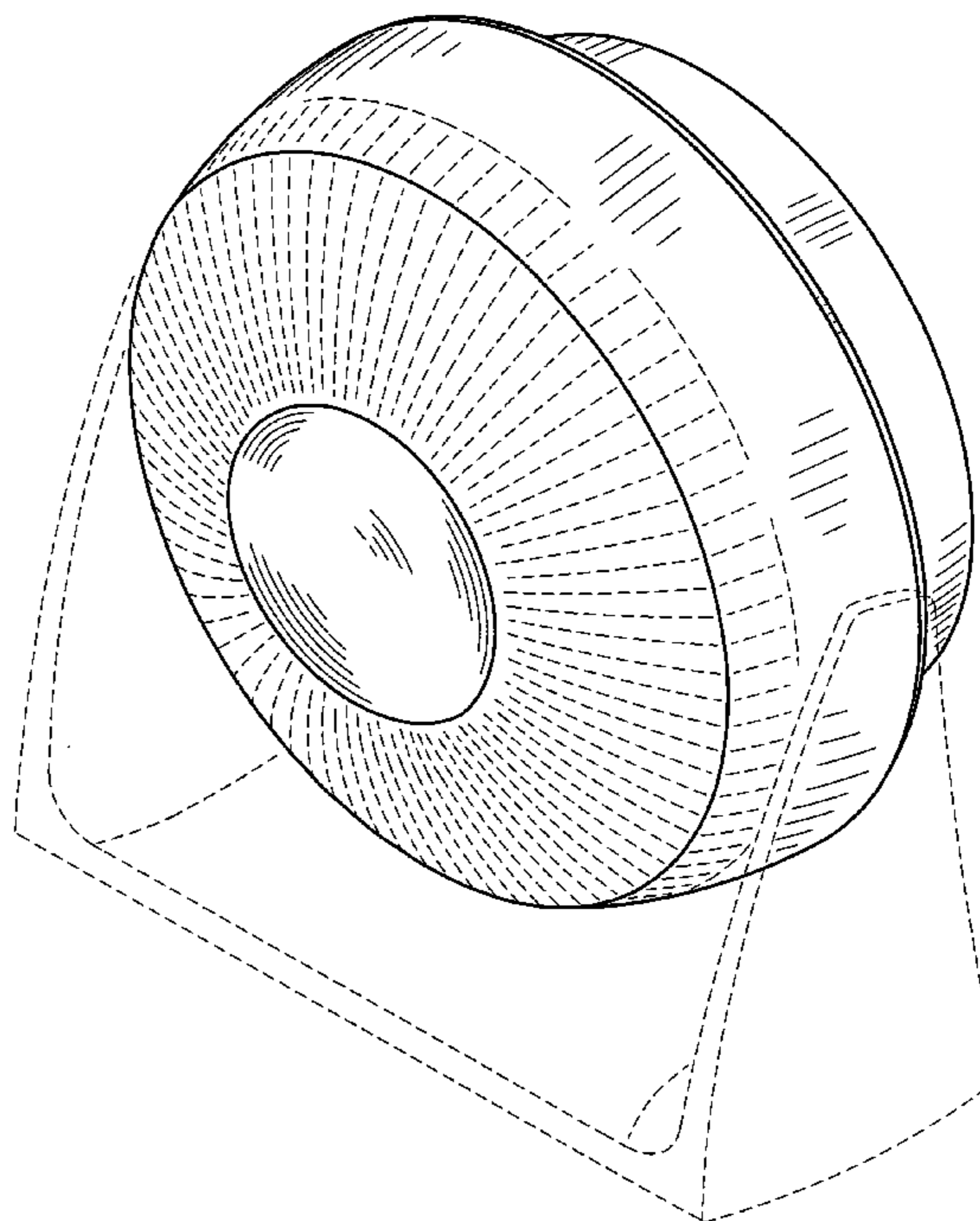
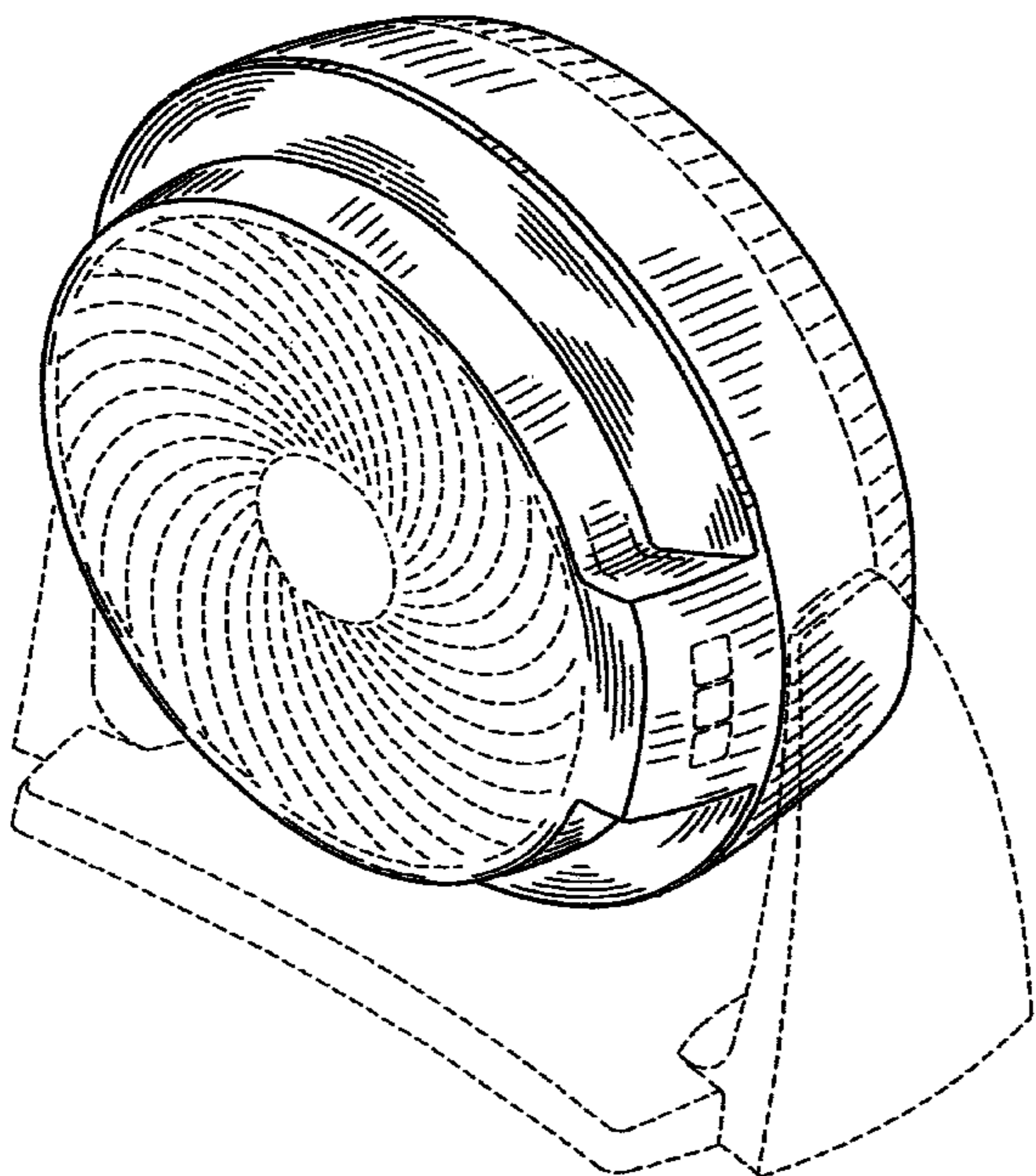
The ornamental design for a body for a portable fan, as shown and described.

**DESCRIPTION**

FIG. 1 is a right side front perspective view of a body for a portable fan showing my new design; FIG. 2 is a left side rear perspective view thereof; FIG. 3 is a front elevation view thereof; FIG. 4 is a right side elevation view thereof; FIG. 5 is a left side elevation view thereof; FIG. 6 is a rear elevation view thereof; and, FIG. 7 is a top plan view thereof.

The broken line showing of a front grill, rear grill, side controls, and stand is included for the purpose of illustrating environmental structure and forms no part of the claimed design.

**1 Claim, 7 Drawing Sheets**



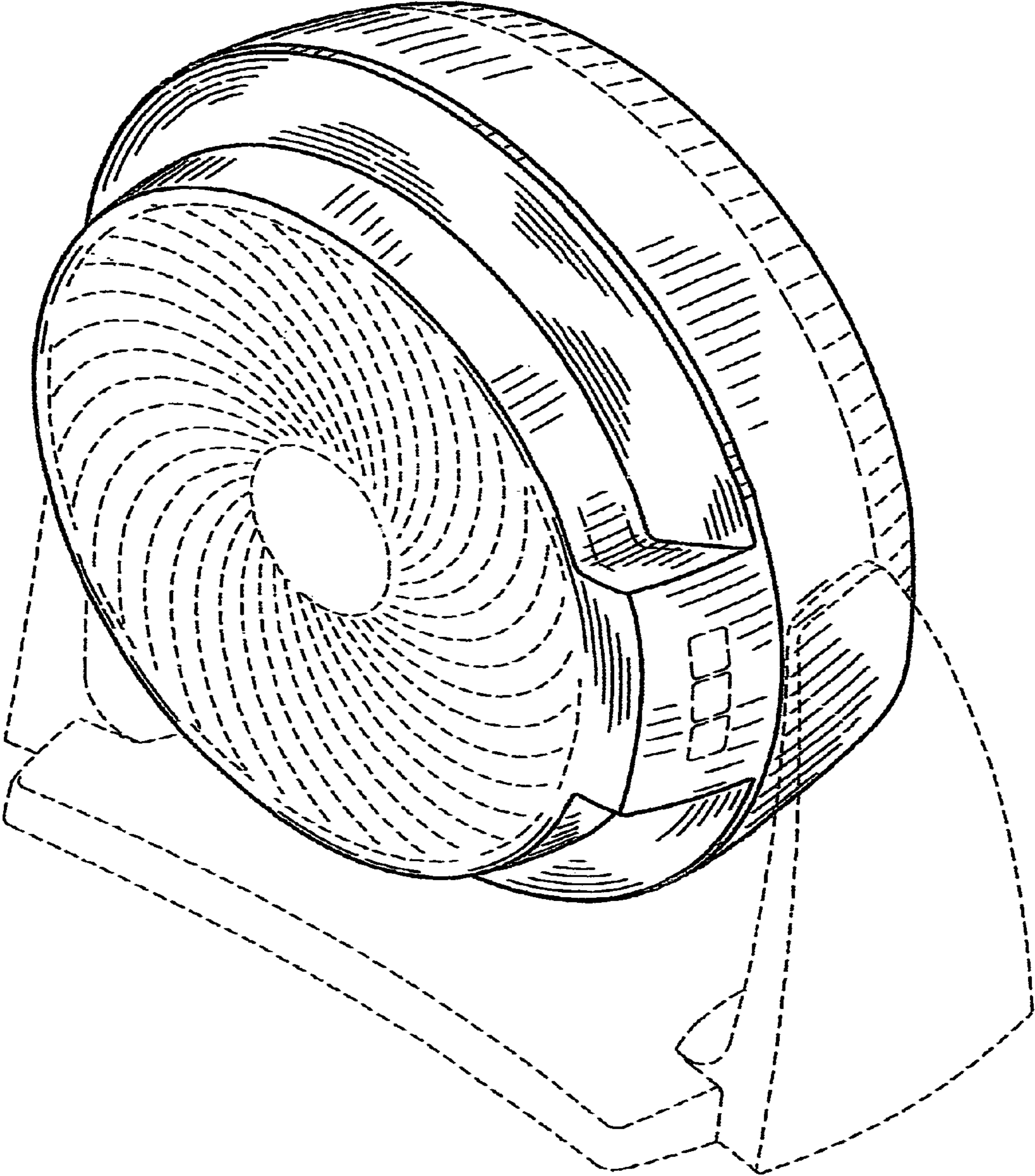


FIG. 1



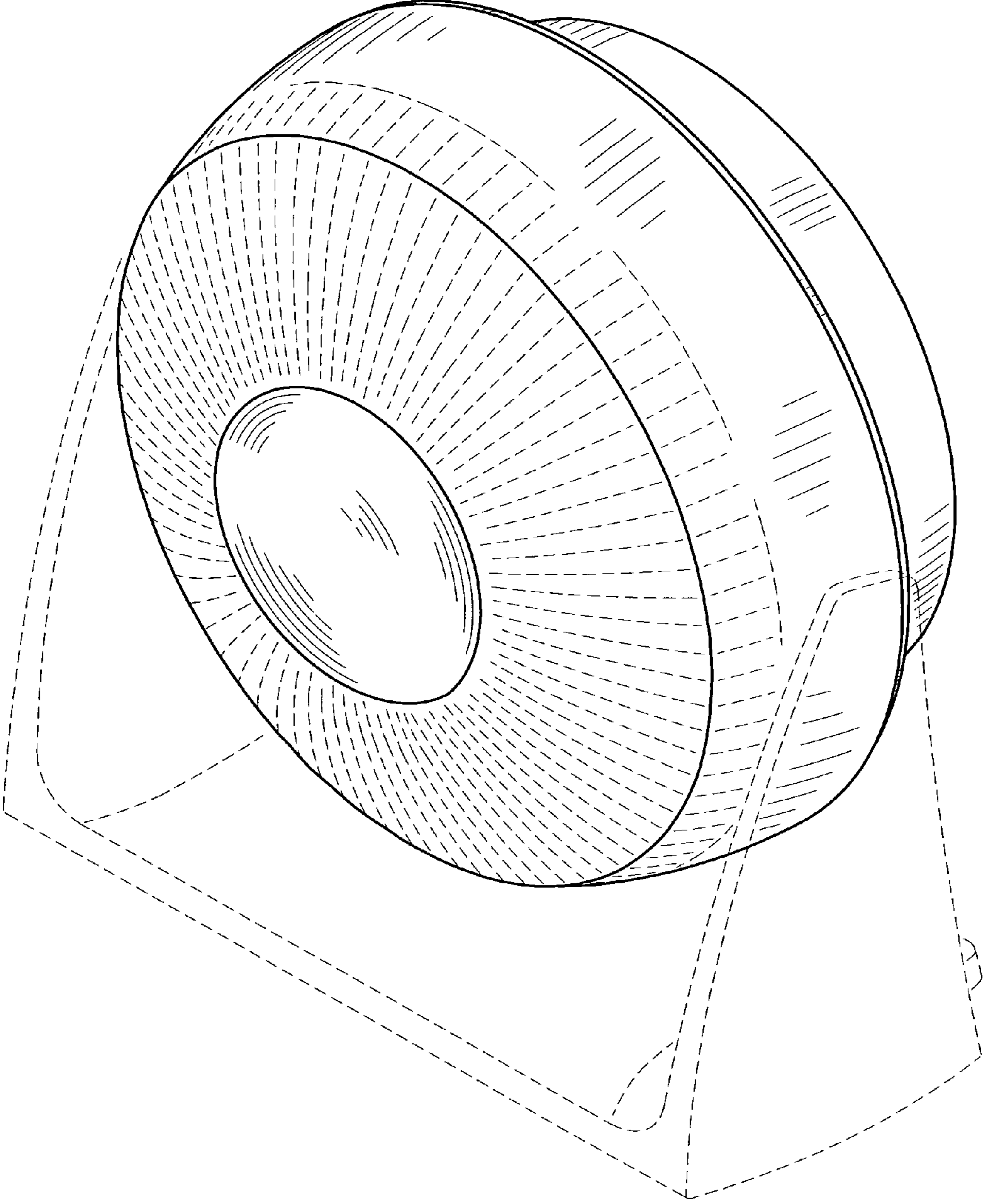


FIG. 2

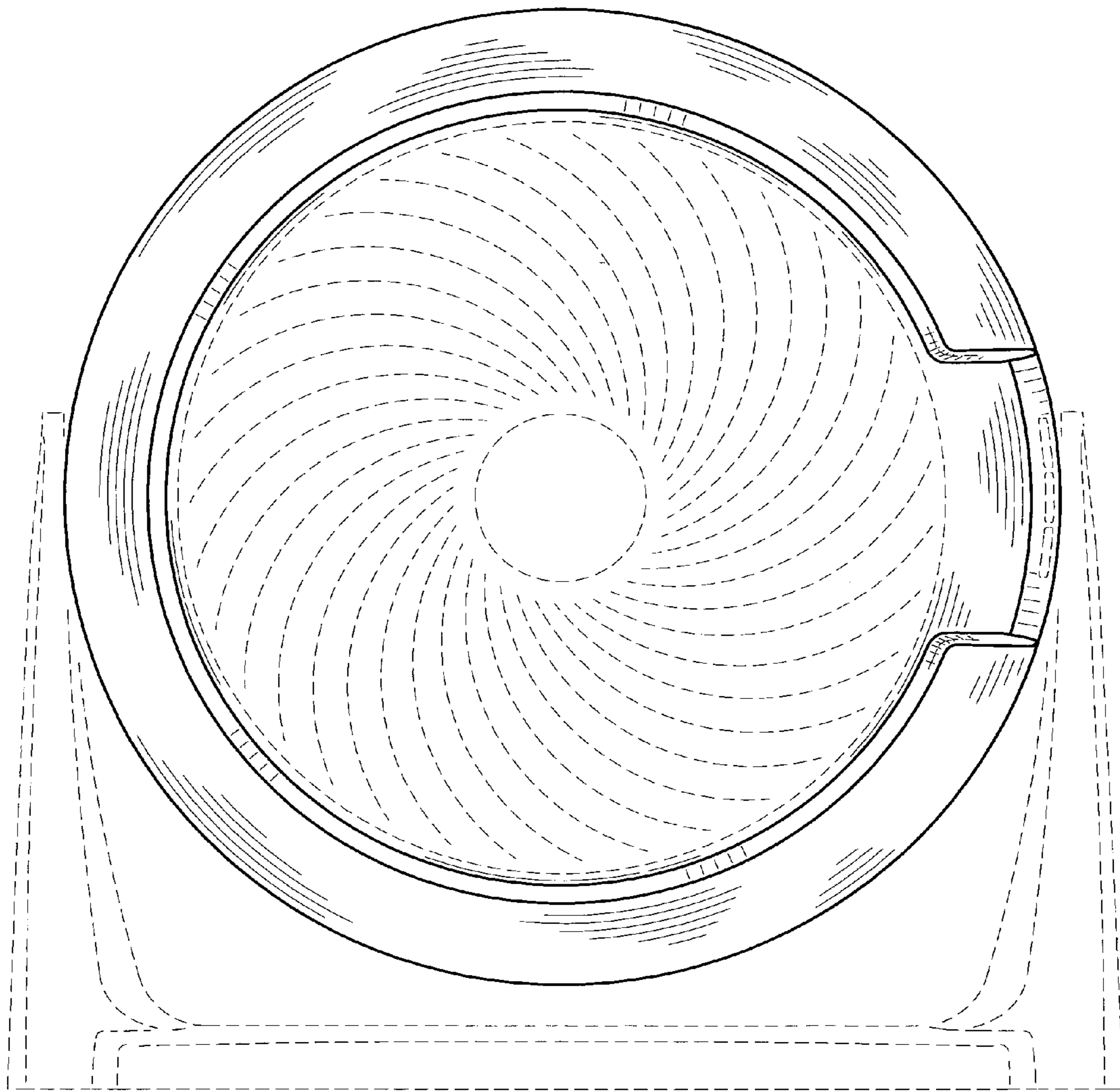


FIG. 3

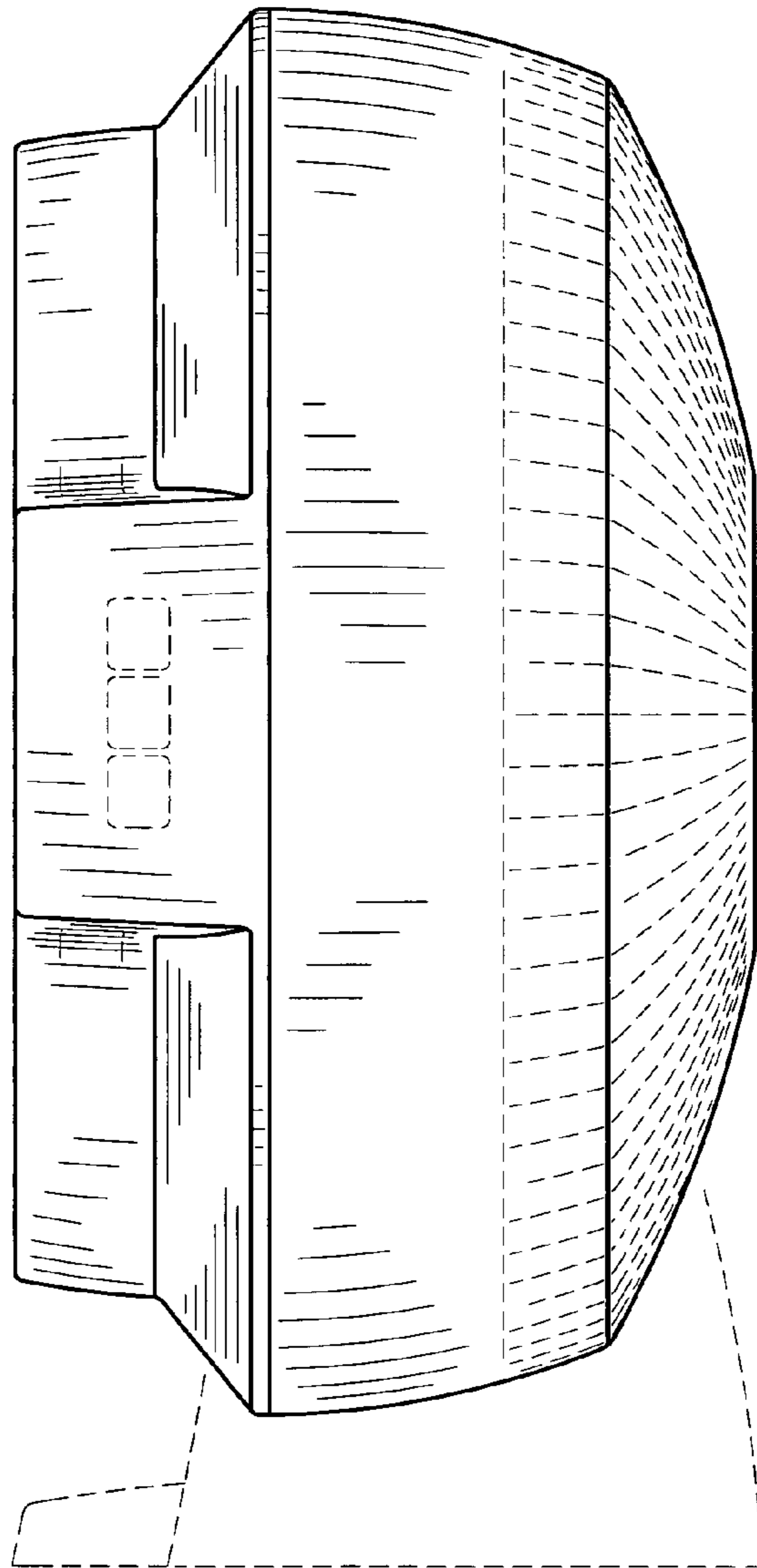


FIG. 4

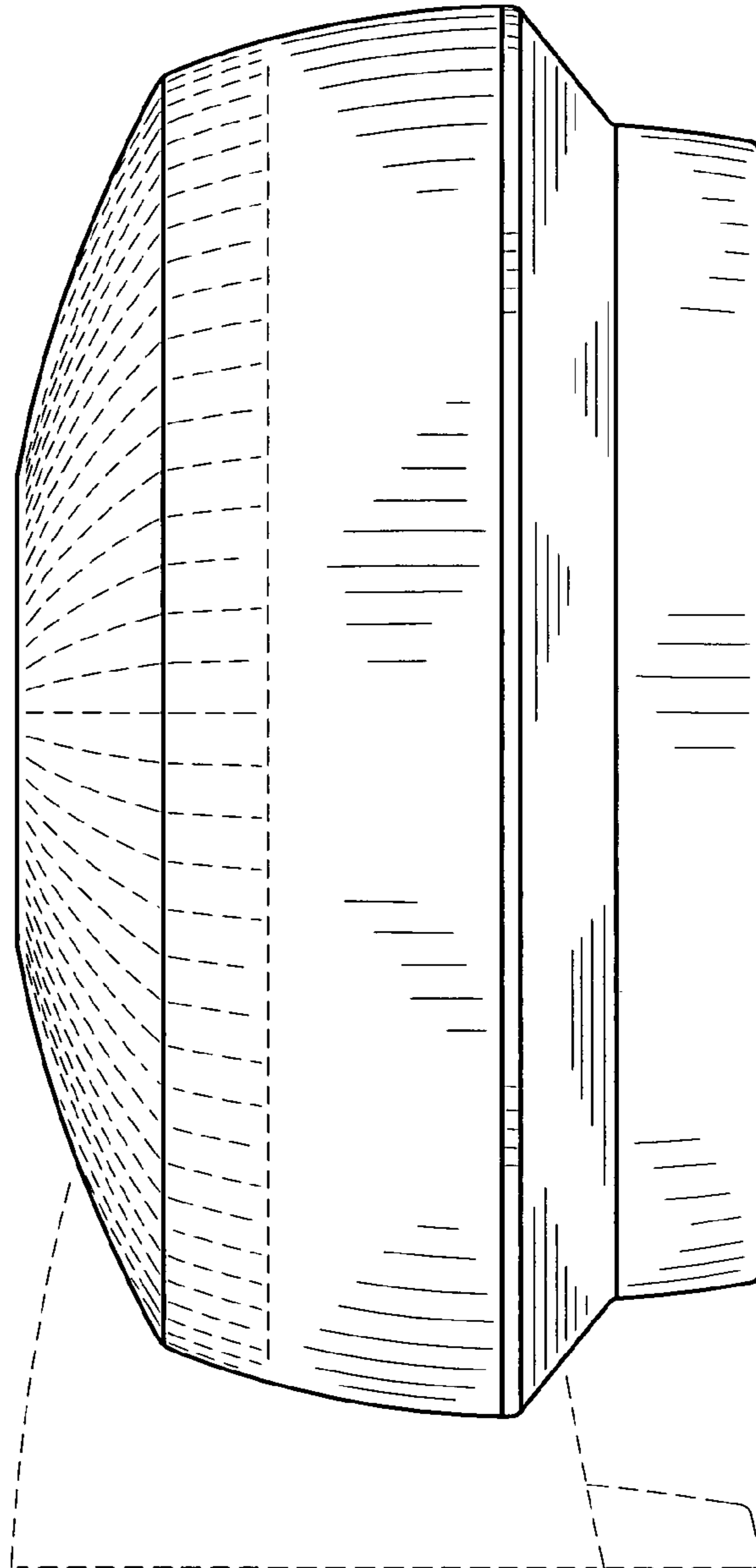


FIG. 5

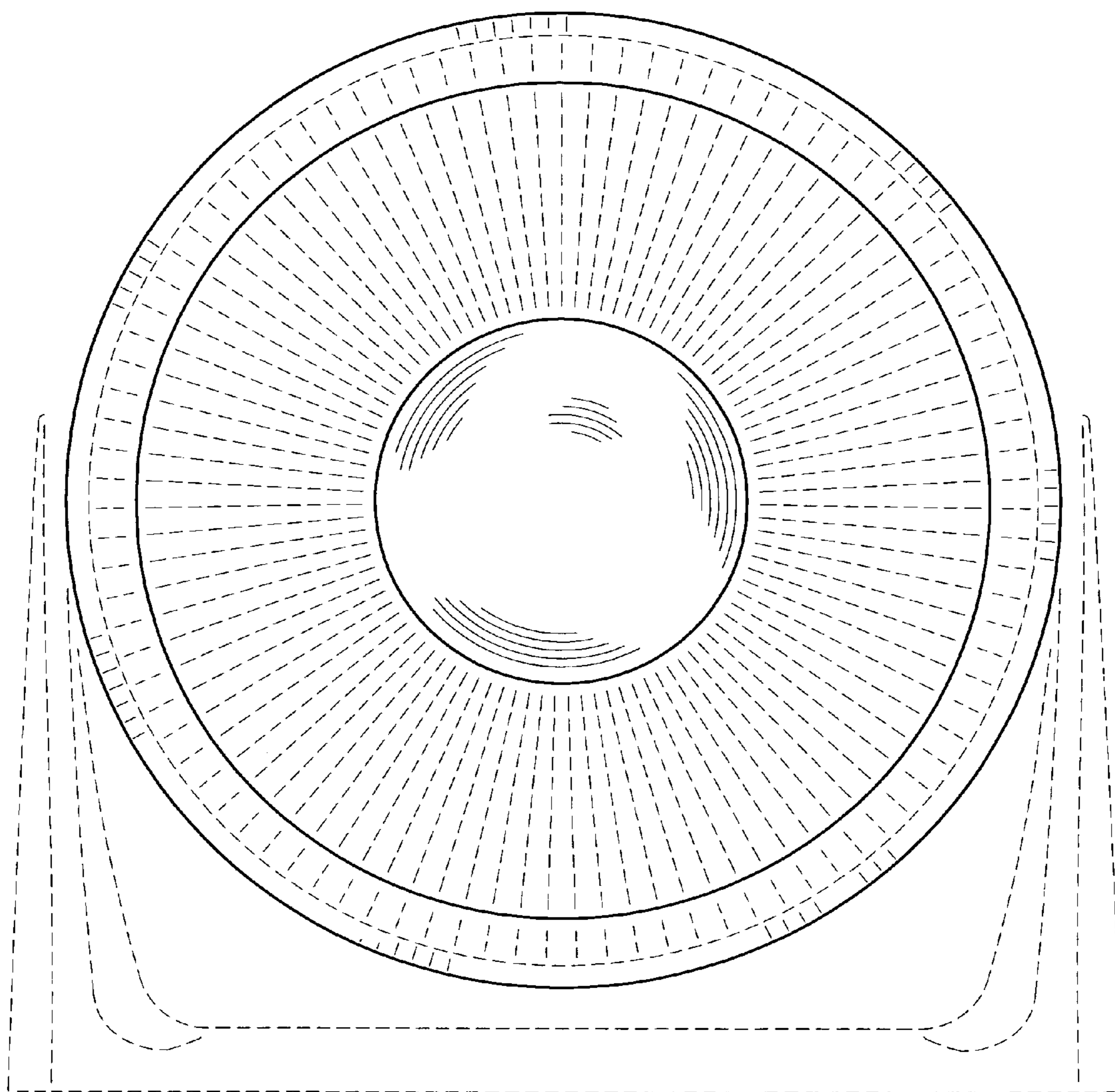


FIG. 6

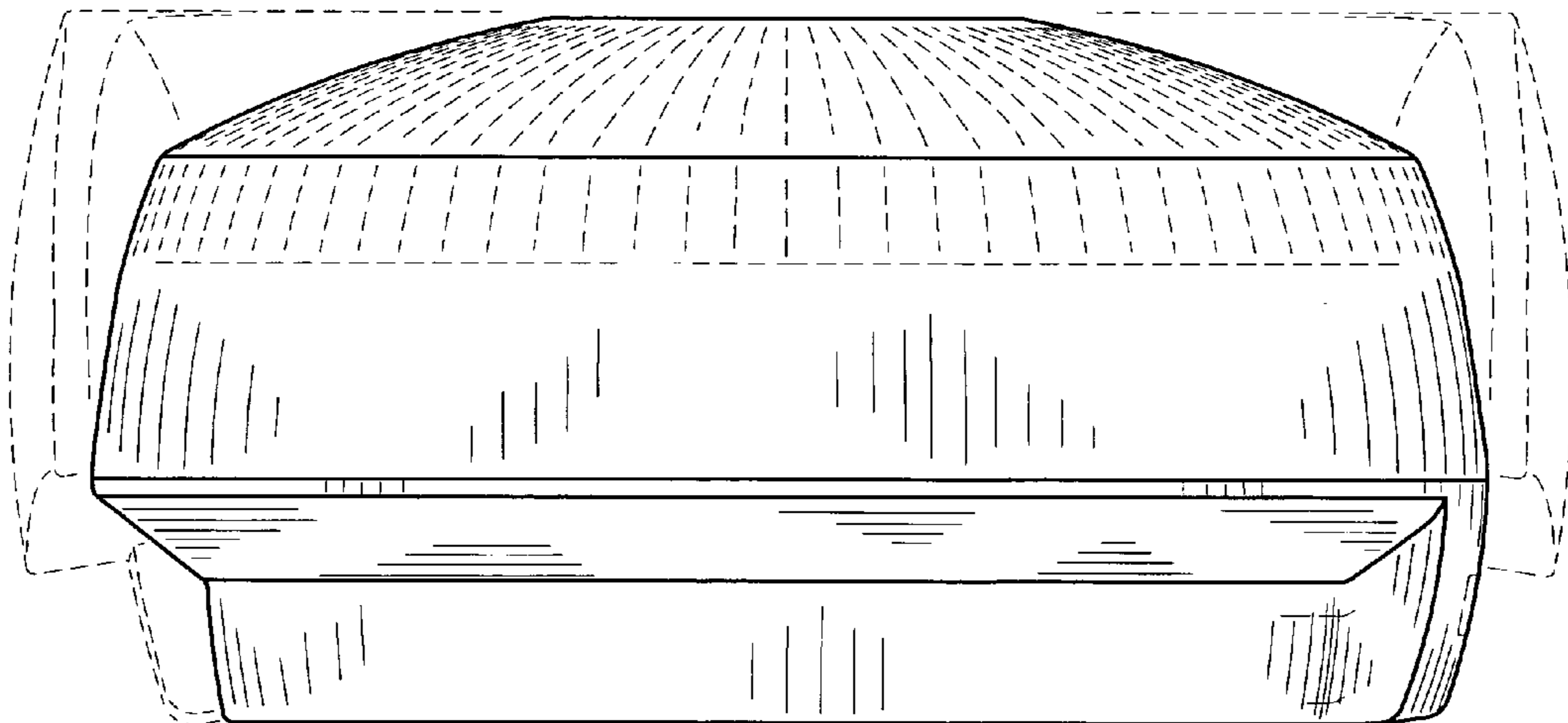


FIG. 7