



US00D673255S

(12) **United States Design Patent**
Roderique et al.

(10) **Patent No.:** **US D673,255 S**
(45) **Date of Patent:** **** Dec. 25, 2012**

(54) **BLOWER ASSEMBLY**

(75) Inventors: **Glennon J. Roderique**, Overland Park, KS (US); **Jeremy P. Green**, Overland Park, KS (US)

(73) Assignee: **Accessible Technologies, Inc.**, Lenexa, KS (US)

(**) Term: **14 Years**

(21) Appl. No.: **29/411,034**

(22) Filed: **Jan. 16, 2012**

Related U.S. Application Data

(63) Continuation-in-part of application No. 29/360,933, filed on May 3, 2010, now Pat. No. Des. 652,501.

(51) **LOC (9) Cl.** **23-04**

(52) **U.S. Cl.** **D23/386**

(58) **Field of Classification Search** D23/385-395, D23/397, 370-373, 365, 351, 354, 399-403, D23/421, 499, 317, 383, 209, 233; 454/309, 454/275-277, 284, 287-291, 358-363, 158; 52/302.1, 32.07; 55/337, 467, 521, 344; 210/136; D15/5

See application file for complete search history.

(56) **References Cited**

U.S. PATENT DOCUMENTS

4,726,823 A * 2/1988 Brice 454/158
5,514,265 A * 5/1996 Nowak et al. 210/136

D377,522 S * 1/1997 Itafuji D23/365
5,735,918 A * 4/1998 Barradas 55/521
D428,978 S * 8/2000 Ito et al. D23/354
D484,966 S * 1/2004 Yamamoto D23/383
6,723,146 B2 * 4/2004 Ninomiya et al. 55/344
D513,304 S * 12/2005 Suzuki D23/209
D522,090 S * 5/2006 Matsumoto et al. D23/233
RE40,721 E * 6/2009 Desai et al. 55/344
D604,399 S * 11/2009 Aregger et al. D23/317
D644,665 S * 9/2011 Ishibashi et al. D15/5
D652,501 S * 1/2012 Roderique D23/386

* cited by examiner

Primary Examiner — David Muller

(74) *Attorney, Agent, or Firm* — Erickson, Kernell Derusseau & Kleypas, LLC

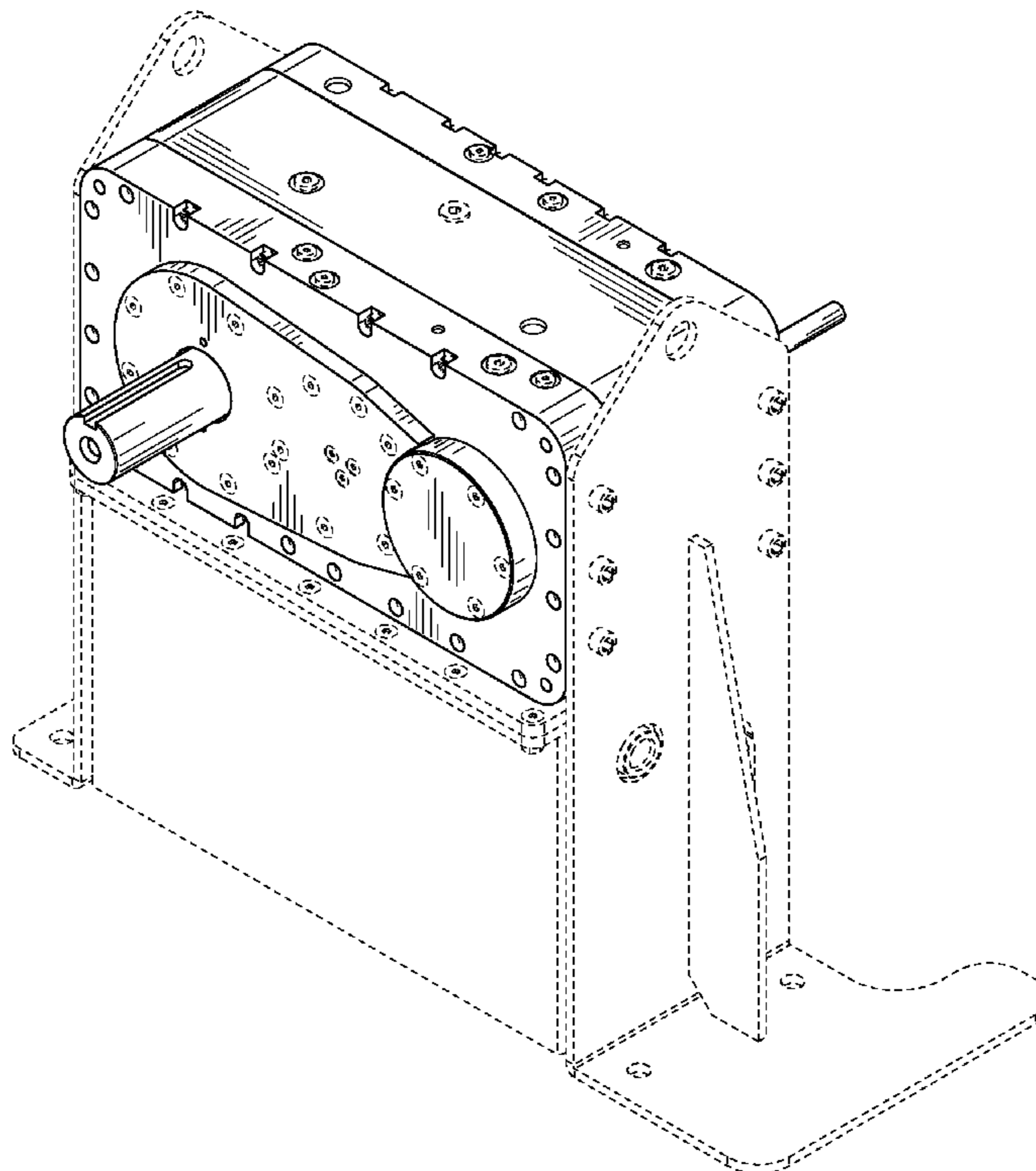
(57) **CLAIM**

The ornamental design for a blower assembly, as shown and described.

DESCRIPTION

FIG. 1 is a perspective view of a blower assembly according to the present invention;
FIG. 2 is a front elevational view thereof;
FIG. 3 is a rear elevational view thereof;
FIG. 4 is a right side elevational view thereof;
FIG. 5 is a left side elevational view thereof;
FIG. 6 is top plan view thereof; and,
FIG. 7 is a bottom plan view thereof.
The broken lines in FIGS. 1-7 are included for the purpose of illustrating portions of the blower assembly that form no part of the claimed design.

1 Claim, 6 Drawing Sheets



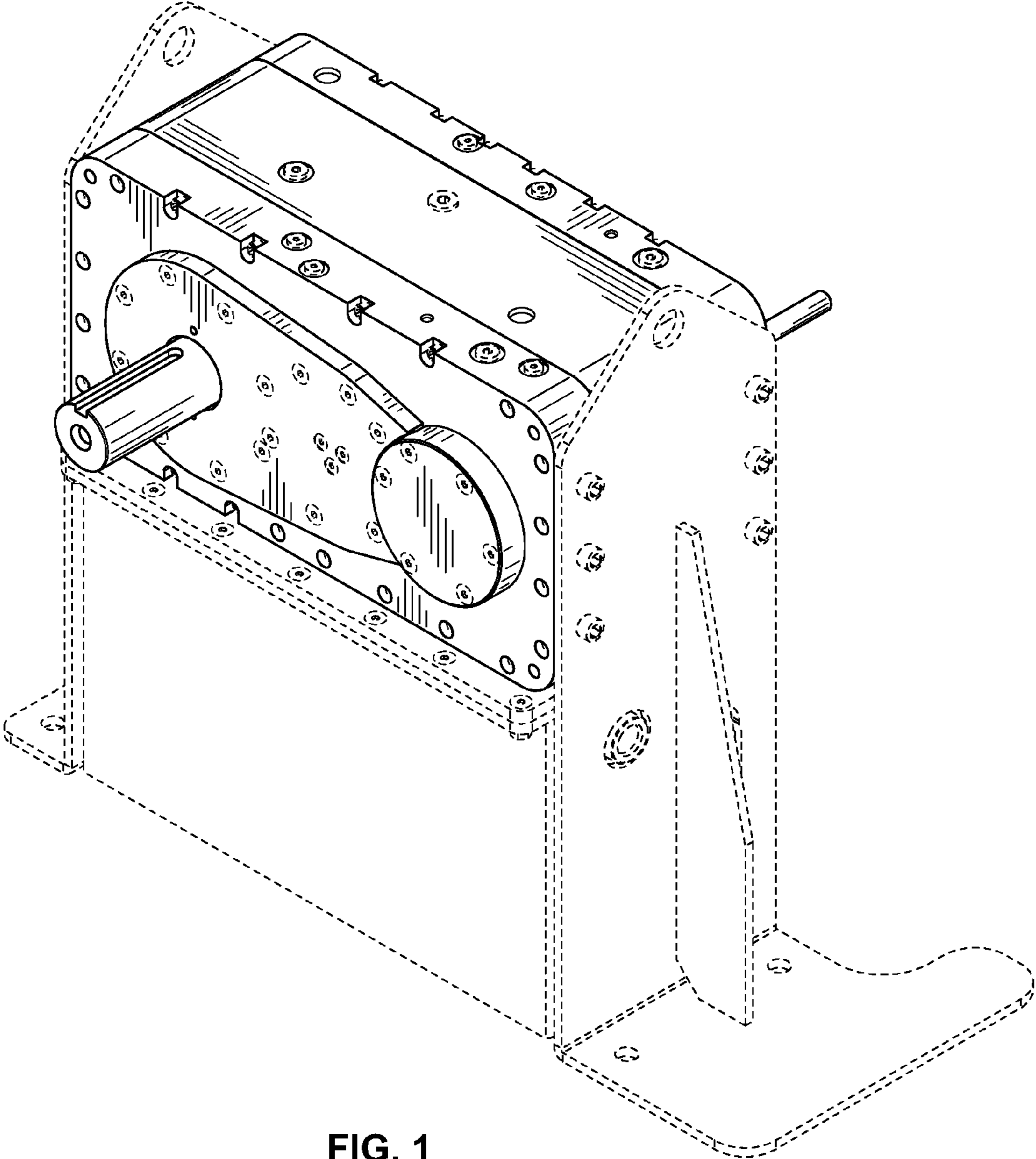


FIG. 1

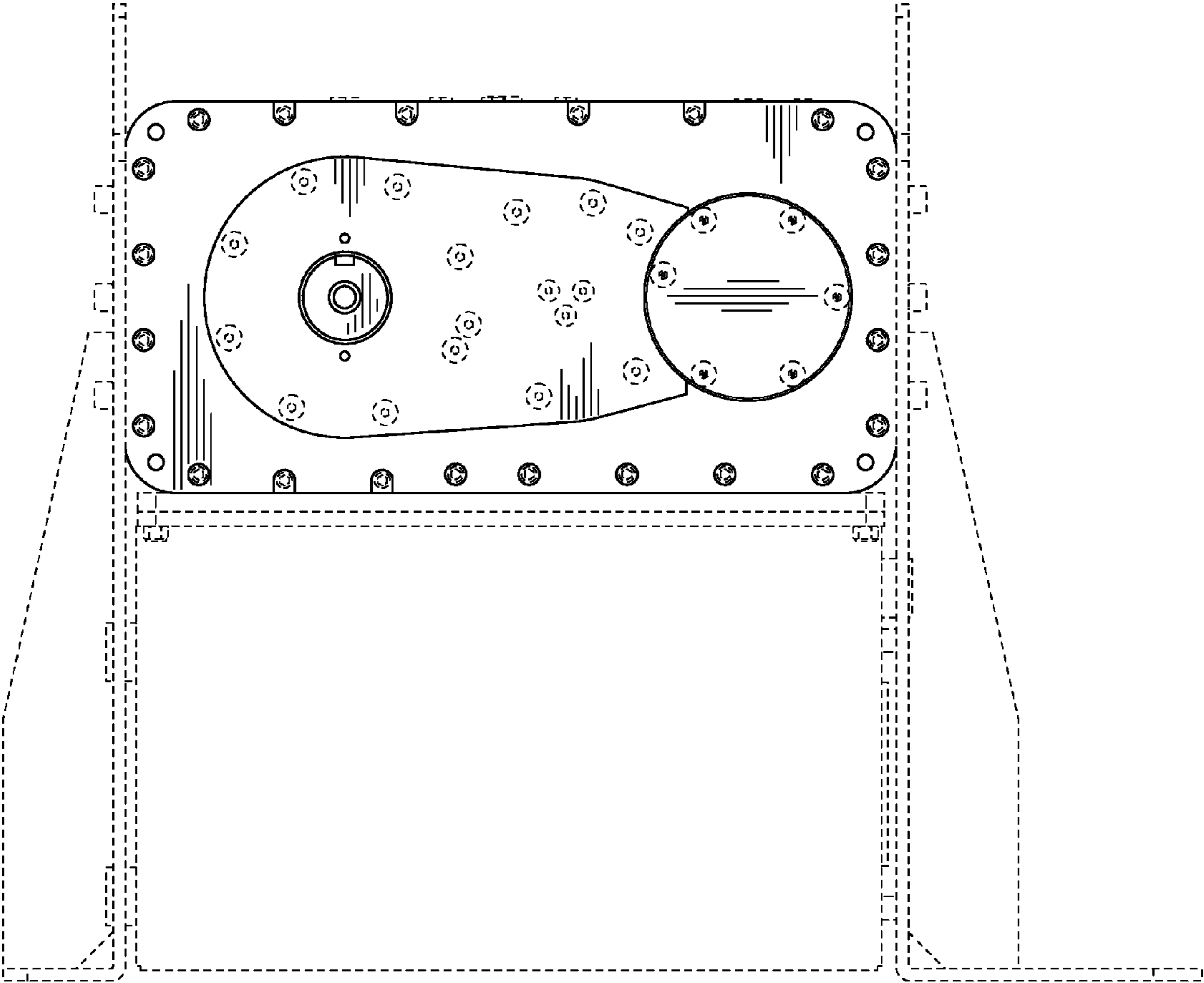


FIG. 2

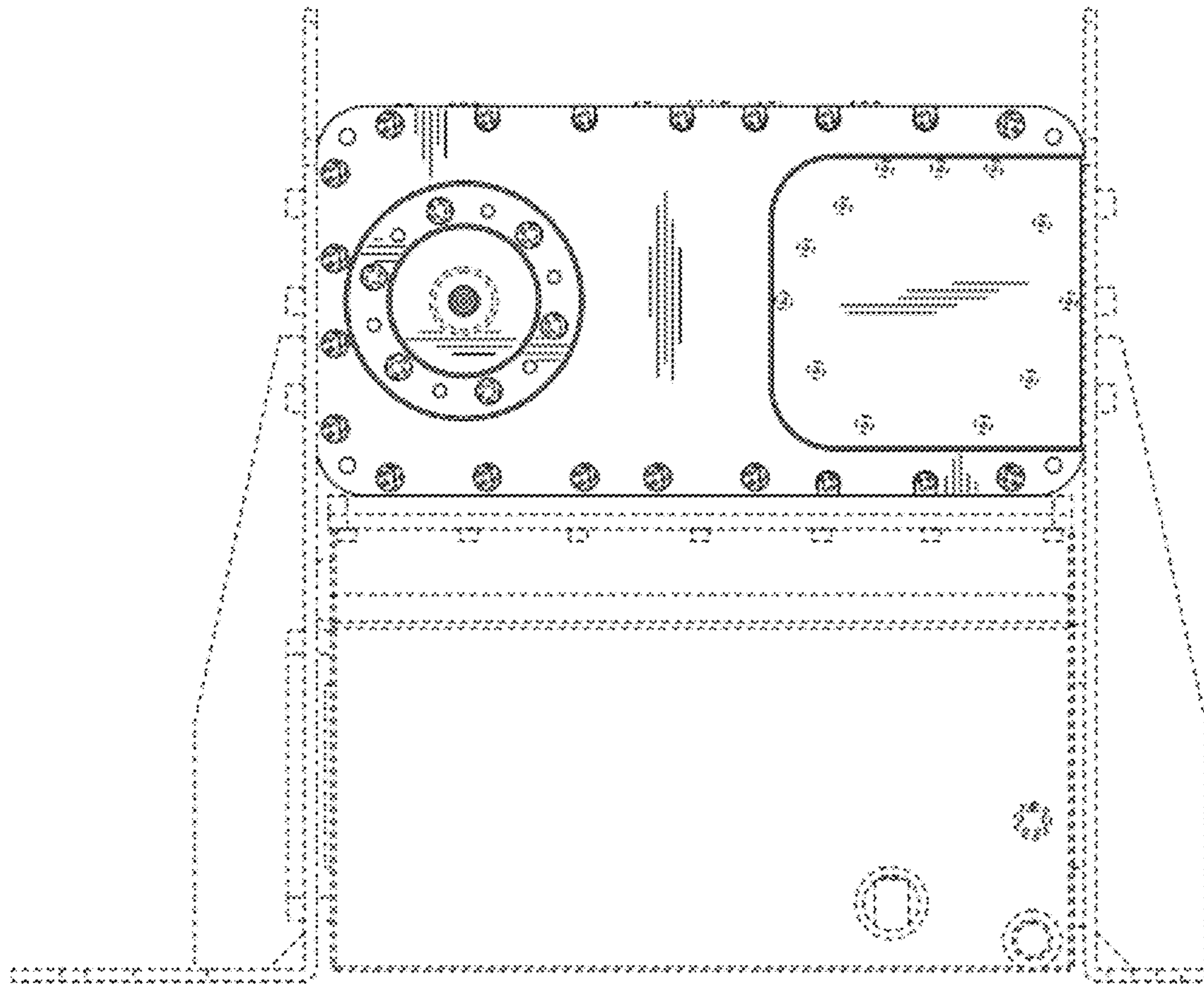


FIG. 3

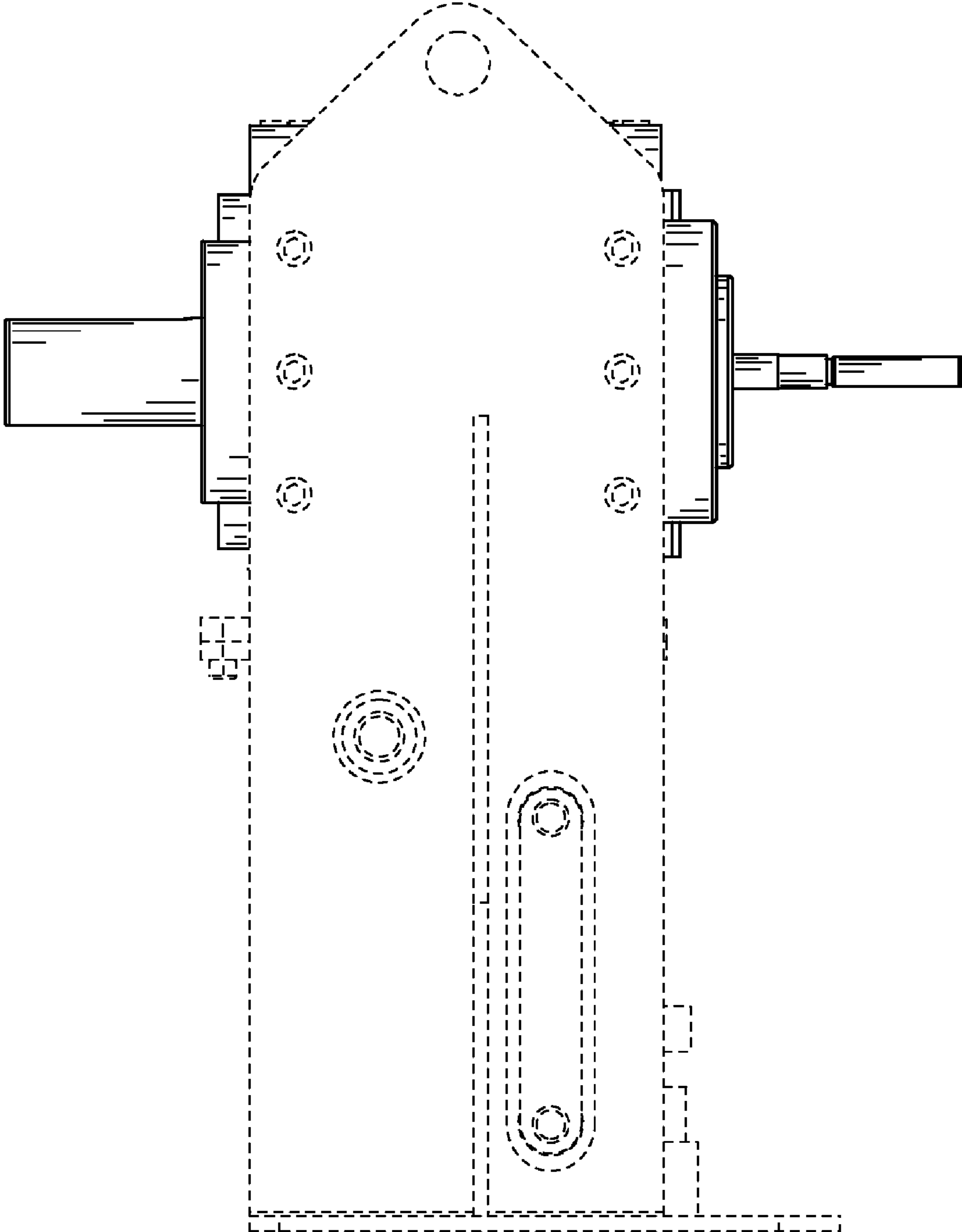


FIG. 4

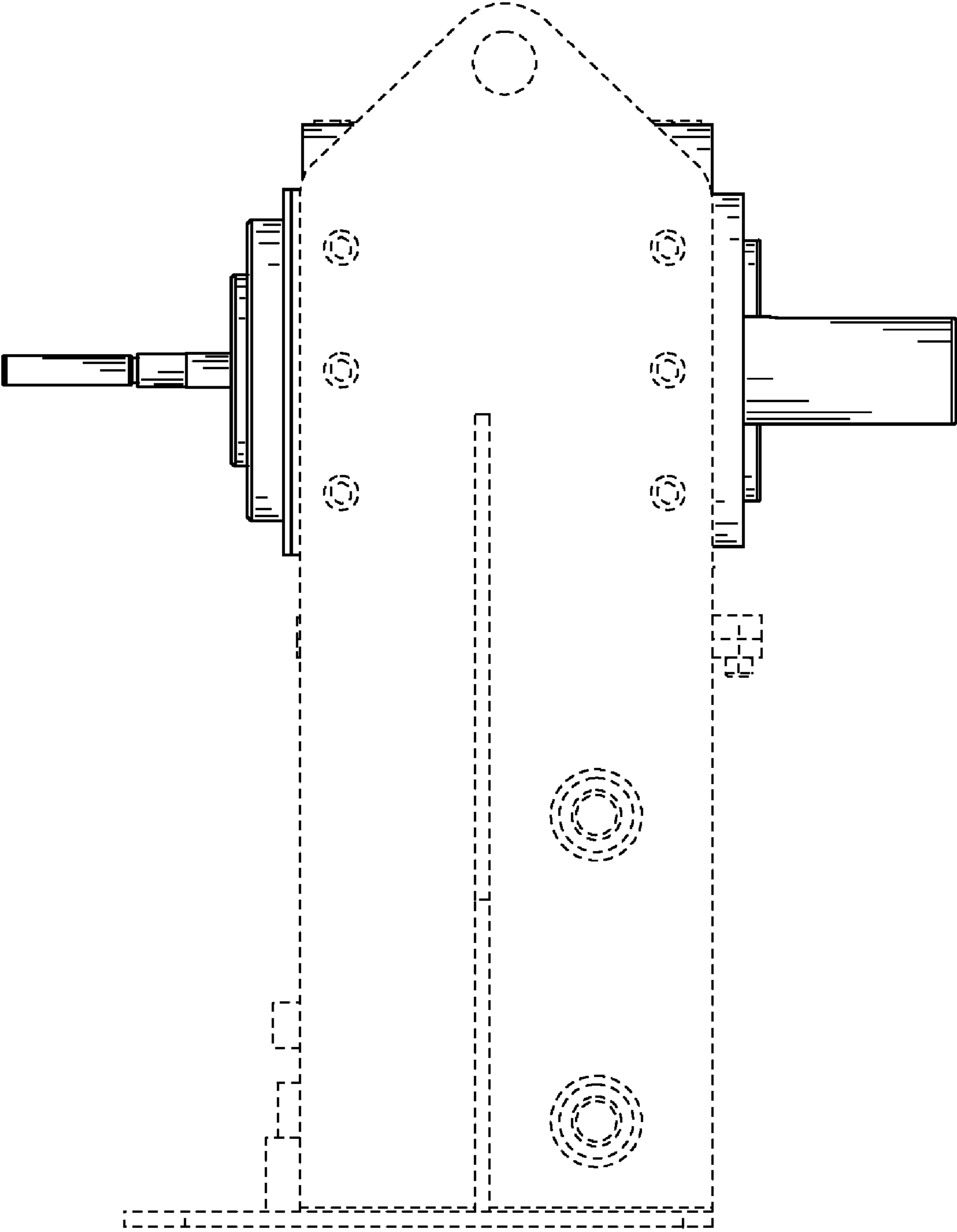


FIG. 5

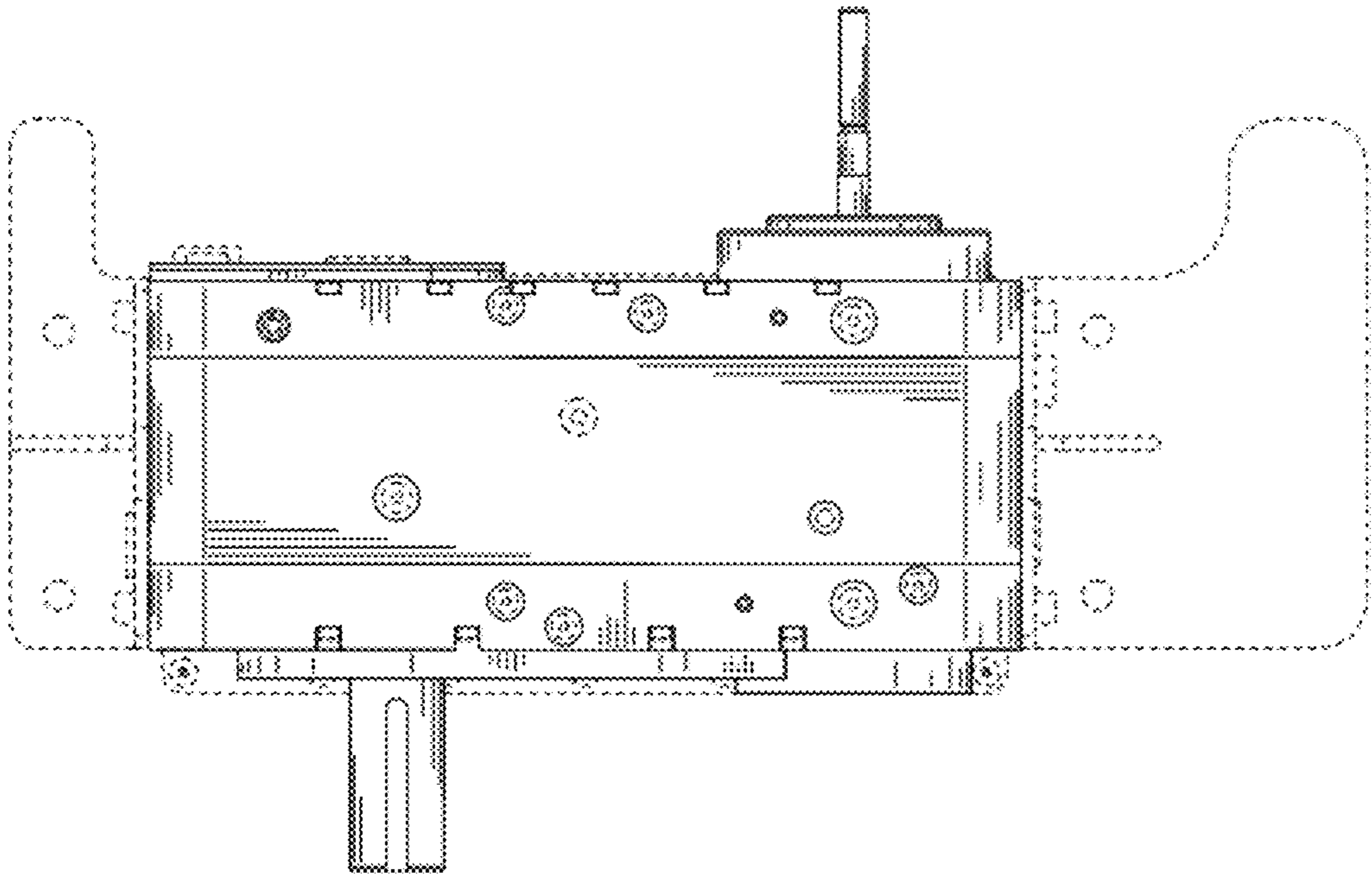


FIG. 6

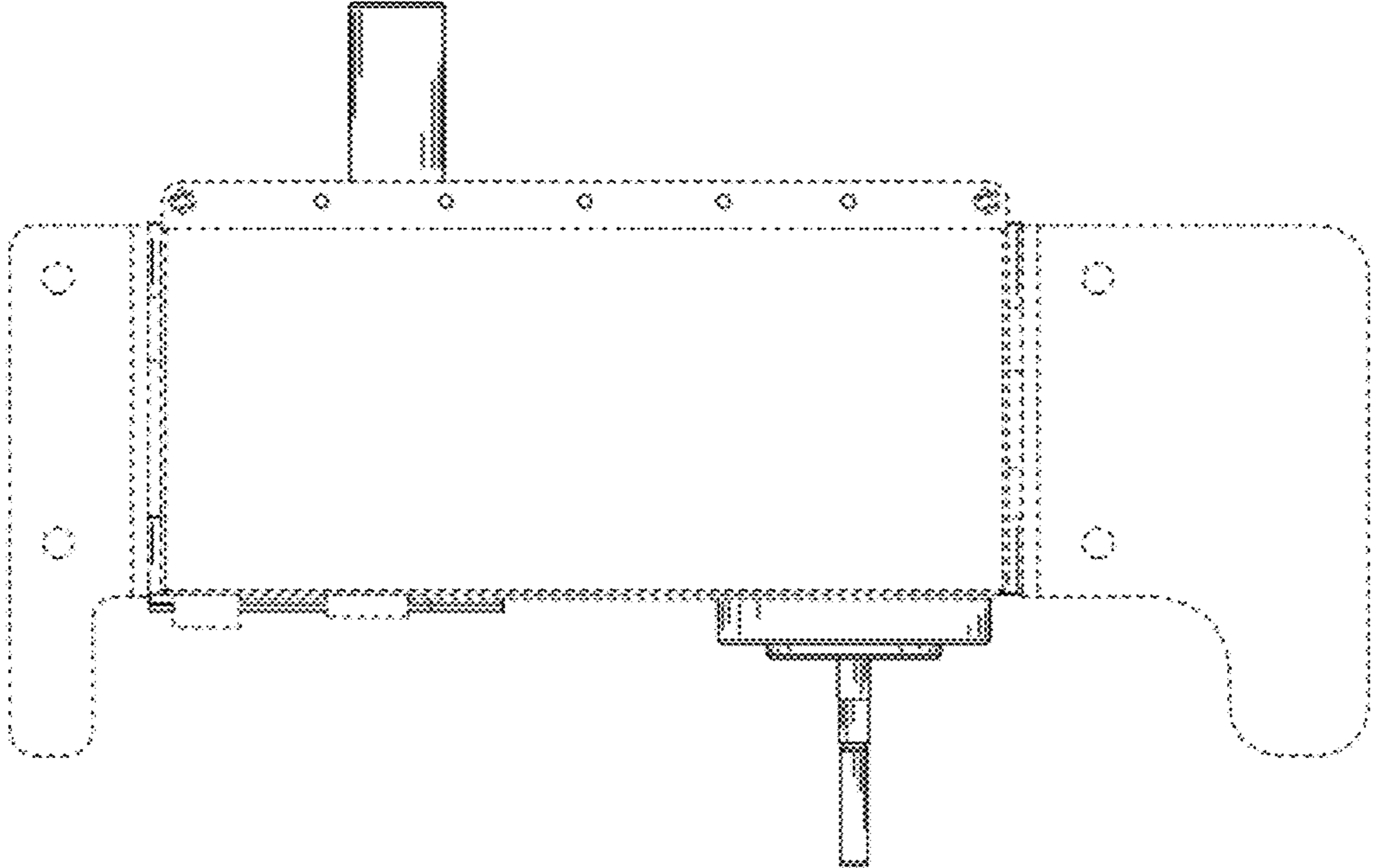


FIG. 7