



US00D673254S

(12) **United States Design Patent**  
**Browder**

(10) **Patent No.:** **US D673,254 S**

(45) **Date of Patent:** **\*\* Dec. 25, 2012**

(54) **HEATING UNIT**

(75) Inventor: **John Browder**, Argyle, TX (US)

(73) Assignee: **IDC Enchanted Lighting Company, LLC**, Roanoke, TX (US)

(\*\*) Term: **14 Years**

(21) Appl. No.: **29/424,313**

(22) Filed: **Jun. 11, 2012**

**Related U.S. Application Data**

(63) Continuation of application No. 29/412,732, filed on Feb. 7, 2012, now Pat. No. Des. 662,583.

(51) **LOC (9) Cl.** ..... **28-99**

(52) **U.S. Cl.** ..... **D23/366**

(58) **Field of Classification Search** ..... D23/355-369;  
D28/5, 6; 261/DIG. 17, DIG. 42, DIG. 65,  
261/DIG. 88, DIG. 89; 392/386, 390, 394,  
392/395; 239/34, 44, 53, 55, 56, 326

See application file for complete search history.

(56) **References Cited**

**U.S. PATENT DOCUMENTS**

4,161,284	A *	7/1979	Rattan	.....	239/43
D289,919	S *	5/1987	O'Neil, Jr.	.....	D23/366
4,849,606	A *	7/1989	Martens et al.	.....	392/390
6,037,574	A *	3/2000	Lanham et al.	.....	219/544
6,141,496	A *	10/2000	Sundberg et al.	.....	392/390
6,289,176	B1 *	9/2001	Martter et al.	.....	392/392
D451,990	S *	12/2001	Millet	.....	D23/366
D512,496	S *	12/2005	Harbutt et al.	.....	D23/366
D514,212	S *	1/2006	Harbutt et al.	.....	D23/366
D514,213	S *	1/2006	Harbutt et al.	.....	D23/366

D520,129	S *	5/2006	Sevy	.....	D23/367
D532,891	S *	11/2006	Buthier et al.	.....	D23/366
D550,829	S *	9/2007	Buthier et al.	.....	D23/367
D565,164	S *	3/2008	Duston et al.	.....	D23/366
7,398,013	B2 *	7/2008	He et al.	.....	392/394
D582,535	S *	12/2008	Nickel et al.	.....	D23/366
D585,129	S *	1/2009	Huang	.....	D23/366
D589,471	S *	3/2009	Komatsu	.....	D13/182
D599,898	S *	9/2009	Nickel et al.	.....	D23/366
D610,666	S *	2/2010	Furner et al.	.....	D23/366
D614,153	S *	4/2010	Fondurulia et al.	.....	D13/182
D640,358	S *	6/2011	Irvin	.....	D23/366
D641,856	S *	7/2011	Walter et al.	.....	D23/366
D641,857	S *	7/2011	Walter et al.	.....	D23/366
D649,237	S *	11/2011	Bilko et al.	.....	D23/366
D653,744	S *	2/2012	Li	.....	D23/366

\* cited by examiner

*Primary Examiner* — Sandra Snapp

(74) *Attorney, Agent, or Firm* — Brian Harris

(57) **CLAIM**

The ornamental design for a heating unit, as shown and described.

**DESCRIPTION**

FIG. 1 is a perspective view of a heating unit showing my new design;

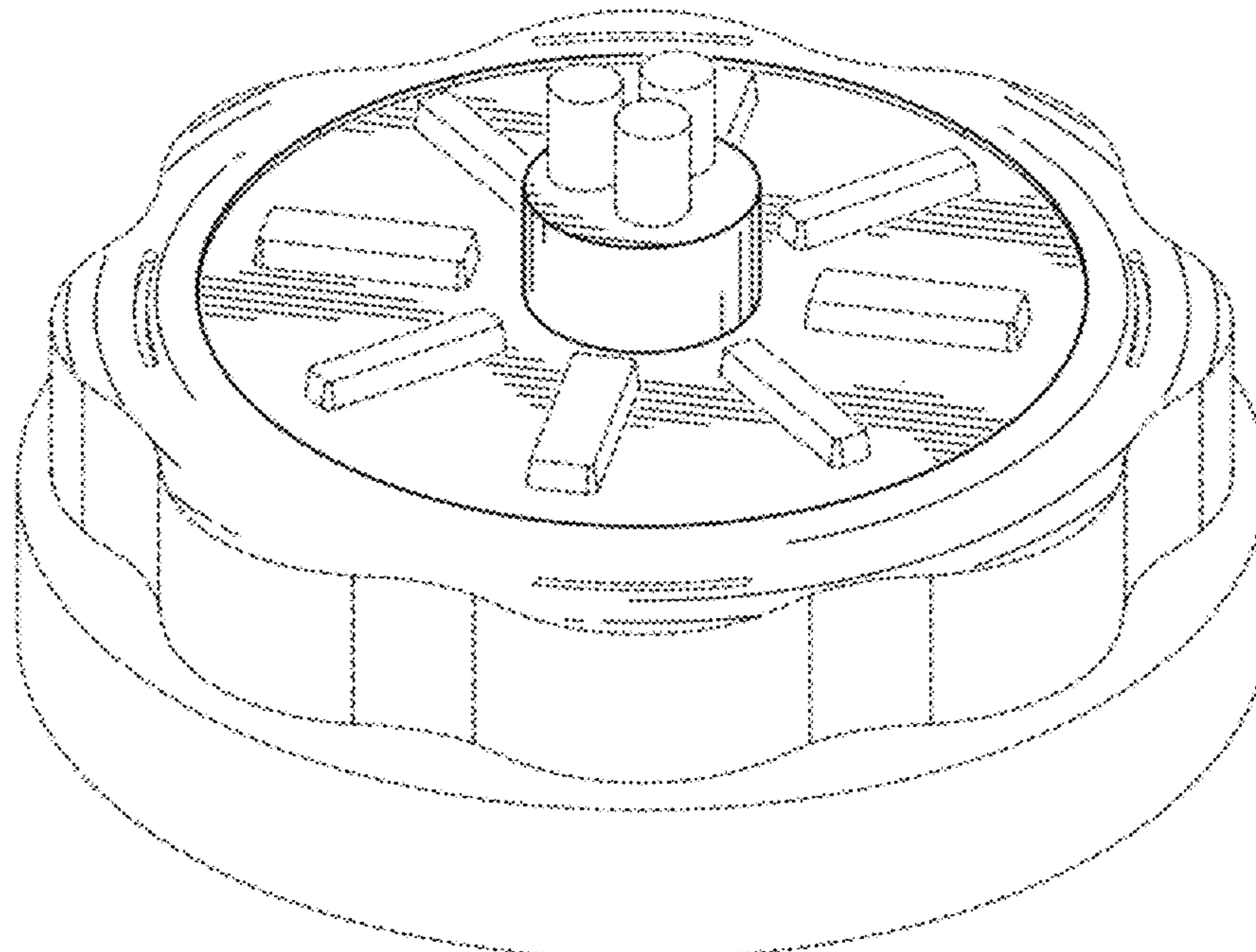
FIG. 2 is a top view thereof;

FIG. 3 is a front view thereof, the back, left side, and right side views being identical thereto; and,

FIG. 4 is a side view thereof rotated about its central axis approximately 45 degrees from the position shown in FIG. 3.

The appearance of the bottom side forms no part of the claimed design. The broken lines form no part of the claimed design.

**1 Claim, 3 Drawing Sheets**



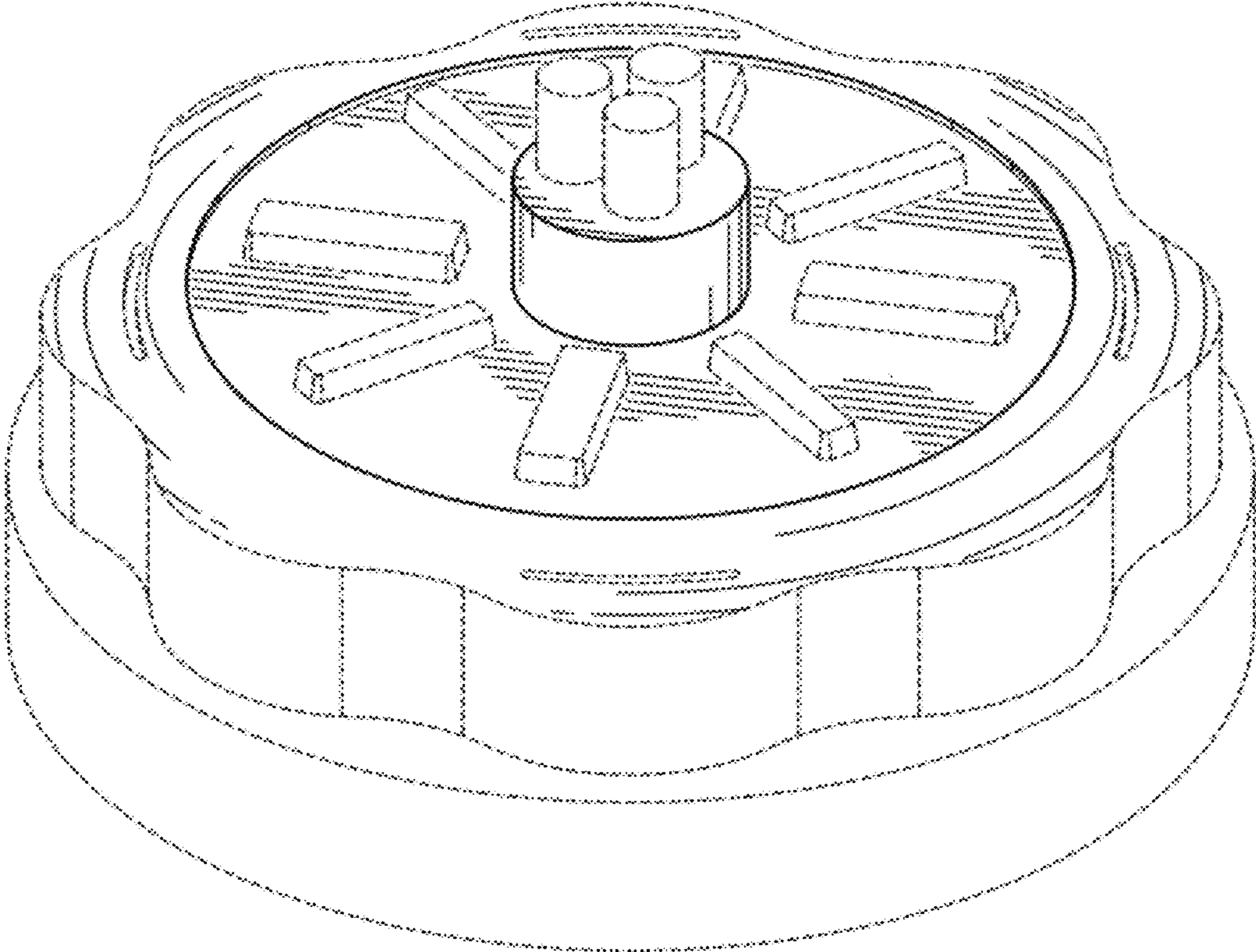


FIG. 1

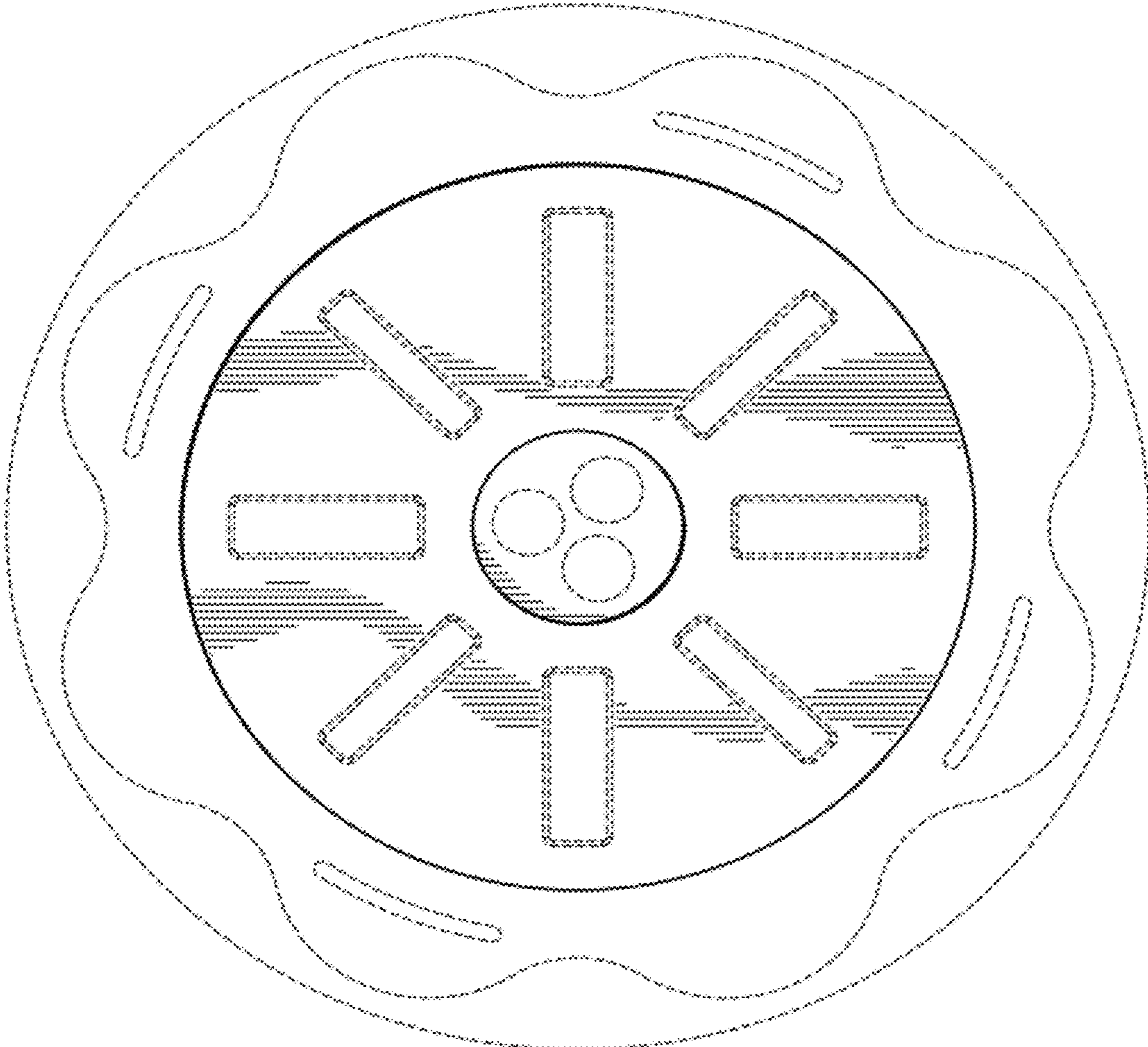


FIG. 2

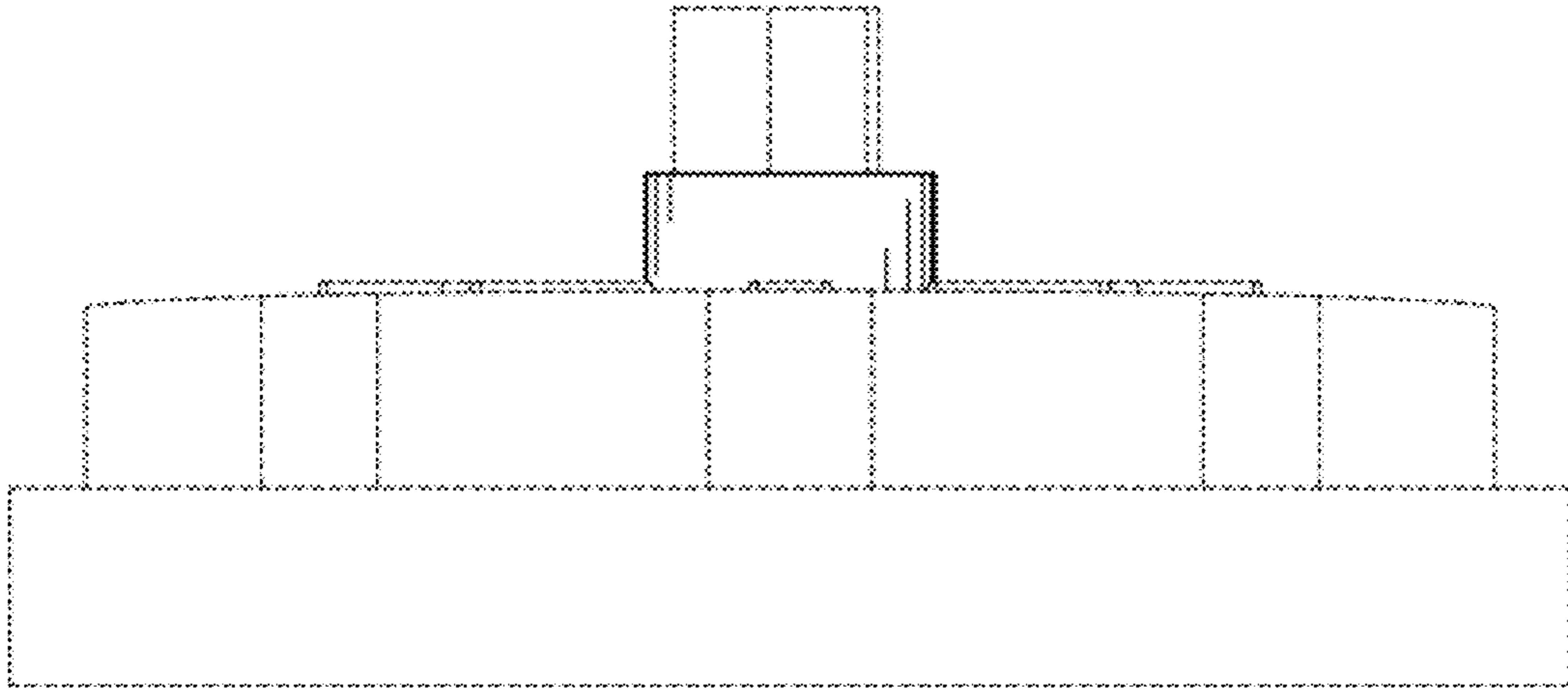


FIG. 3

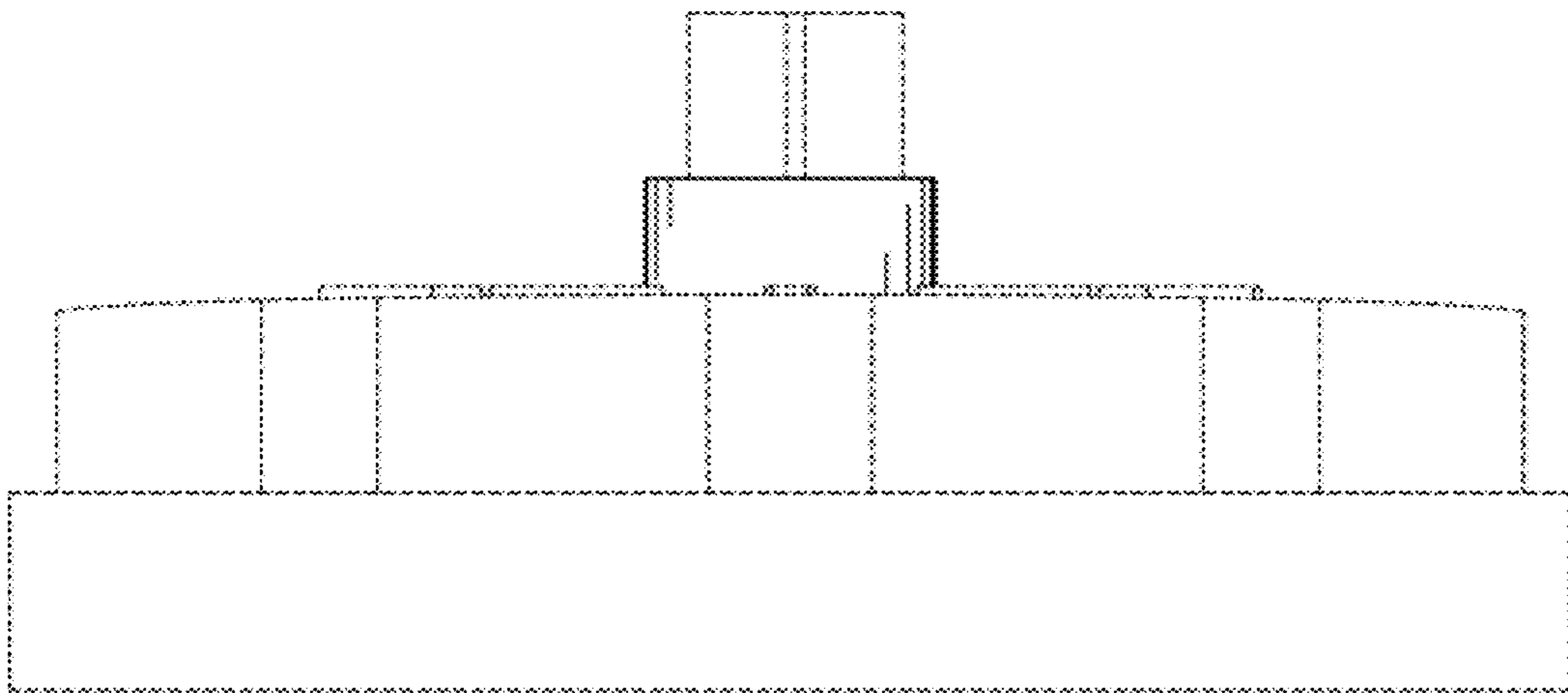


FIG. 4