



US00D673253S

(12) **United States Design Patent**  
**Mack**

(10) **Patent No.:** **US D673,253 S**  
(45) **Date of Patent:** **\*\* Dec. 25, 2012**

(54) **DISPENSING CAP**

(75) Inventor: **Dustin John Mack**, St. Francis, WI (US)

(73) Assignee: **S.C. Johnson & Son, Inc.**, Racine, WI (US)

(\*\*) Term: **14 Years**

(21) Appl. No.: **29/413,932**

(22) Filed: **Feb. 22, 2012**

(51) **LOC (9) Cl.** ..... **28-99**

(52) **U.S. Cl.** ..... **D23/366**

(58) **Field of Classification Search** ..... D23/355-369;  
D28/5, 6; 261/DIG. 17, DIG. 42, DIG. 65,  
261/DIG. 88, DIG. 89; 392/386, 390, 394,  
392/395; 239/34, 44, 53, 55, 56, 326; D26/14,  
D26/17, 98

See application file for complete search history.

(56) **References Cited**

**U.S. PATENT DOCUMENTS**

D262,906 S \* 2/1982 Palson et al. .... D23/369  
(Continued)

**FOREIGN PATENT DOCUMENTS**

AU 128419 \* 10/1996  
(Continued)

*Primary Examiner* — Sandra Snapp

(57) **CLAIM**

The ornamental design for a dispensing cap, as shown and described.

**DESCRIPTION**

FIG. 1 is an isometric view of a top, front, and left side of an ornamental design for a dispensing cap;

FIG. 2 is a front elevational view of the dispensing cap of FIG. 1;

FIG. 3 is a rear elevational view of the dispensing cap of FIG. 1;

FIG. 4 is a left side elevational view of the dispensing cap of FIG. 1, the right side elevational view being a mirror image thereof;

FIG. 5 is a top plan view of the dispensing cap of FIG. 1;

FIG. 6 is an isometric view of a top, front, and left side of the dispensing cap of FIG. 1, wherein the lid is shown in a closed position;

FIG. 7 is an isometric view of a top, front, and left side of a second embodiment of an ornamental design for a dispensing cap;

FIG. 8 is a front elevational view of the dispensing cap of FIG. 7;

FIG. 9 is a rear elevational view of the dispensing cap of FIG. 7;

FIG. 10 is a left side elevational view of the dispensing cap of FIG. 7, the right side elevational view being a mirror image thereof;

FIG. 11 is a top plan view of the dispensing cap of FIG. 7; FIG. 12 is an isometric view of a top, front, and left side of the dispensing cap of FIG. 7, wherein the lid is shown in a closed position;

FIG. 13 is an isometric view of a top, front, and left side of a third embodiment of an ornamental design for a dispensing cap;

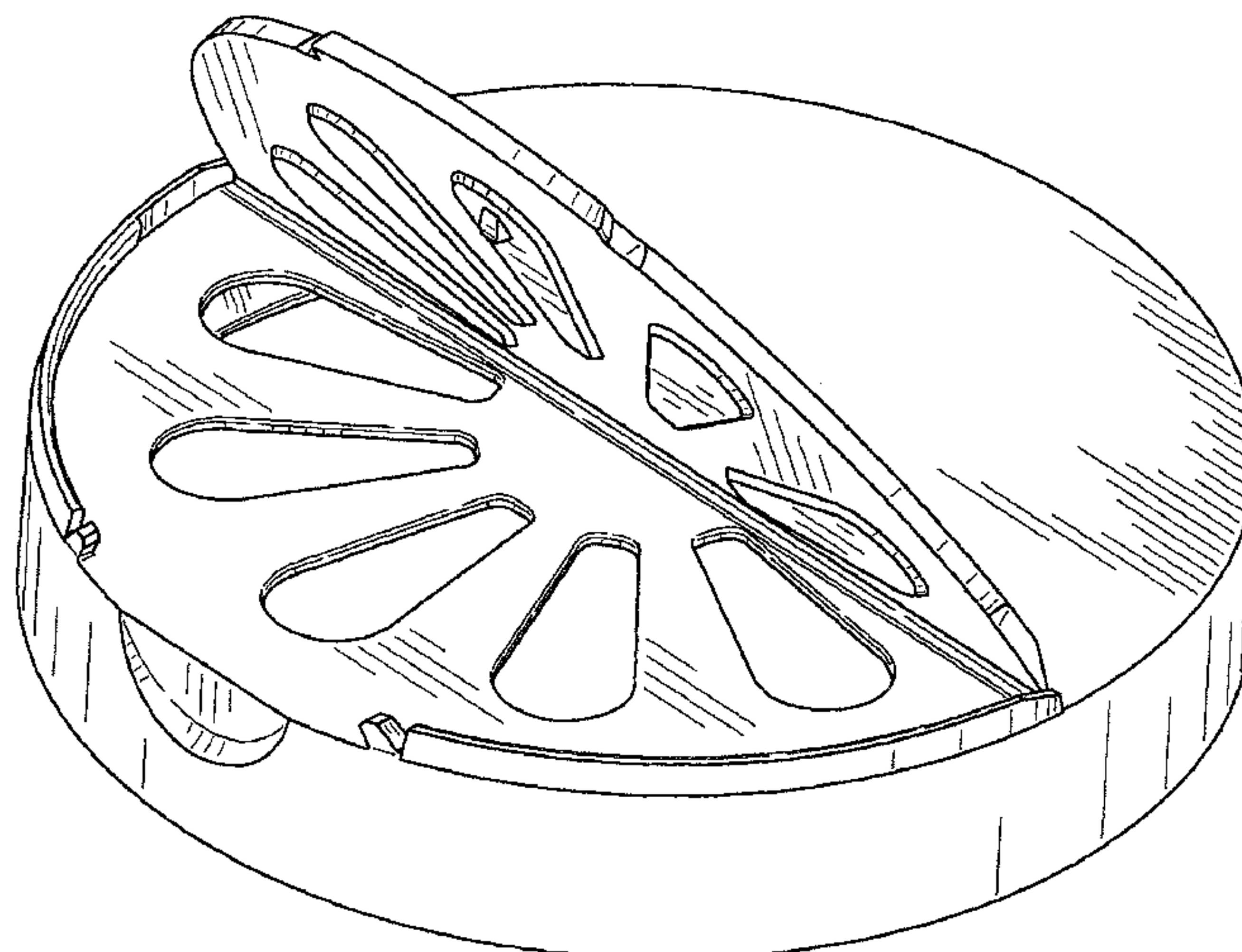
FIG. 14 is a front elevational view of the dispensing cap of FIG. 13;

FIG. 15 is a rear elevational view of the dispensing cap of FIG. 13;

FIG. 16 is a left side elevational view of the dispensing cap of FIG. 13, the right side elevational view being a mirror image thereof; and,

FIG. 17 is a top plan view of the dispensing cap of FIG. 13. The broken lines are for the purpose of illustrating environmental structure and form no part of the claimed design. Further, the bottom views form no part of the claimed design.

**1 Claim, 14 Drawing Sheets**



# US D673,253 S

Page 2

## U.S. PATENT DOCUMENTS

D263,120 S \* 2/1982 Fossella et al. .... D9/550  
D265,974 S \* 8/1982 Gombert ..... D9/504  
D318,777 S \* 8/1991 Freese ..... D7/392  
D334,975 S \* 4/1993 Bunce et al. .... D23/366  
D340,187 S \* 10/1993 Forsyth ..... D9/449  
D340,188 S \* 10/1993 Forsyth ..... D9/449  
D352,899 S \* 11/1994 Molo ..... D9/447  
5,509,582 A \* 4/1996 Robbins, III ..... 222/158  
D374,794 S \* 10/1996 Ahern, Jr. .... D7/392.1  
5,632,417 A \* 5/1997 Robbins et al. .... 222/158  
D379,853 S \* 6/1997 Long et al. .... D23/367  
D384,283 S \* 9/1997 Davies et al. .... D9/731  
D386,685 S \* 11/1997 Miller ..... D9/449  
D410,388 S \* 6/1999 Fisher et al. .... D9/449  
D411,886 S \* 7/1999 Manganiello ..... D24/197  
6,039,224 A \* 3/2000 Dallas et al. .... 222/565  
D441,441 S \* 5/2001 Upson ..... D23/366  
D442,086 S \* 5/2001 Mozes ..... D9/434  
D443,825 S \* 6/2001 Goettner ..... D9/530  
6,279,788 B1 \* 8/2001 Lillelund et al. .... 222/481  
6,286,731 B1 \* 9/2001 Lillelund et al. .... 222/480  
D479,801 S \* 9/2003 Carmichael et al. .... D9/447  
6,691,901 B2 \* 2/2004 Parve et al. .... 222/556  
D489,440 S \* 5/2004 Anderson et al. .... D23/366  
D511,933 S \* 11/2005 Abrams ..... D7/400  
D512,496 S \* 12/2005 Harbutt et al. .... D23/366  
7,007,830 B2 \* 3/2006 Parve et al. .... 222/556  
D520,622 S \* 5/2006 Yamamoto et al. .... D23/366  
D544,953 S \* 6/2007 Kee ..... D23/368  
D548,086 S \* 8/2007 Conway et al. .... D9/732  
D550,345 S \* 9/2007 Weggelaar ..... D23/366  
D551,333 S \* 9/2007 Wu ..... D23/366  
D557,988 S \* 12/2007 Deeds ..... D7/589  
D557,989 S \* 12/2007 Deeds ..... D7/589  
D564,878 S \* 3/2008 Baughman et al. .... D9/454  
D582,273 S \* 12/2008 Vogel ..... D9/449  
D607,315 S \* 1/2010 George et al. .... D9/420  
7,712,638 B2 \* 5/2010 Kick ..... 222/480  
D623,064 S \* 9/2010 Salmon et al. .... D9/524  
D625,192 S \* 10/2010 Kooser et al. .... D9/504  
7,823,736 B1 \* 11/2010 Pagne et al. .... 215/235  
7,909,212 B2 \* 3/2011 Parve ..... 222/480  
D636,673 S \* 4/2011 Lohrman et al. .... D9/449

8,066,158 B2 \* 11/2011 Vogel et al. .... 222/480  
8,100,303 B2 \* 1/2012 Parve ..... 222/480  
2007/0278154 A1 \* 12/2007 Nagaoka et al. .... 210/644  
2010/0140304 A1 \* 6/2010 Walunis et al. .... 222/480  
2010/0213221 A1 \* 8/2010 Vogel et al. .... 222/505  
2010/0230446 A1 \* 9/2010 Daggett ..... 222/480

## FOREIGN PATENT DOCUMENTS

AU 129248 \* 2/1997  
AU 308510 \* 8/2006  
AU 311506 \* 11/2006  
AU 318460 \* 3/2008  
AU 331520 \* 6/2010  
DE M9400091-0008 \* 9/1994  
DE M9402937-0001 \* 9/1994  
DE M9608106-0001 \* 4/1997  
DE M9802085-0001 \* 10/1998  
DE M9802085-0003 \* 10/1998  
DE 40206630-0002 \* 5/2003  
DE 40301160-0003 \* 8/2003  
EM 000269949-0002 \* 3/2001  
EM 000037130-0001 \* 10/2003  
EM 000037130-0002 \* 10/2003  
EM 000037130-0003 \* 10/2003  
EM 000077573-0002 \* 1/2004  
EM 000114780-0001 \* 4/2004  
EM 000114780-0002 \* 4/2004  
EM 000175203-0002 \* 9/2004  
EM 000269949-0001 \* 3/2005  
EM 000269949-0003 \* 3/2005  
EM 000269949-0004 \* 3/2005  
EM 000269949-0005 \* 3/2005  
EM 000269949-0006 \* 3/2005  
EM 000269949-0007 \* 3/2005  
EM 000577762-0002 \* 9/2006  
EM 000642418-0001 \* 3/2007  
EM 000642418-0002 \* 3/2007  
EM 001026785-0002 \* 11/2008  
EM 001733494-0001 \* 8/2010  
WO D014392-001 \* 10/1989  
WO D017273-001 \* 9/1990  
WO DM/046781 \* 2/2009

\* cited by examiner



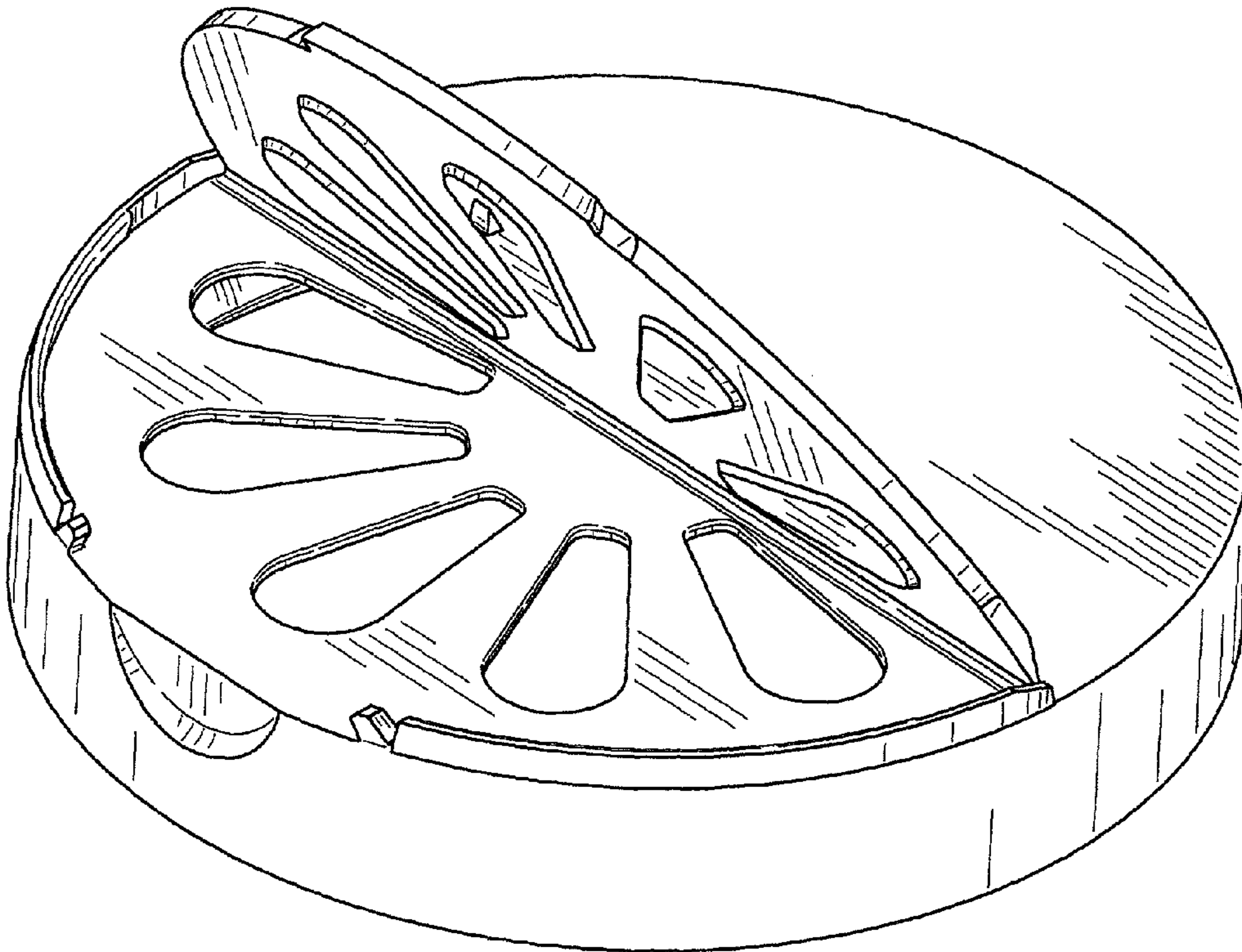


FIG. 1

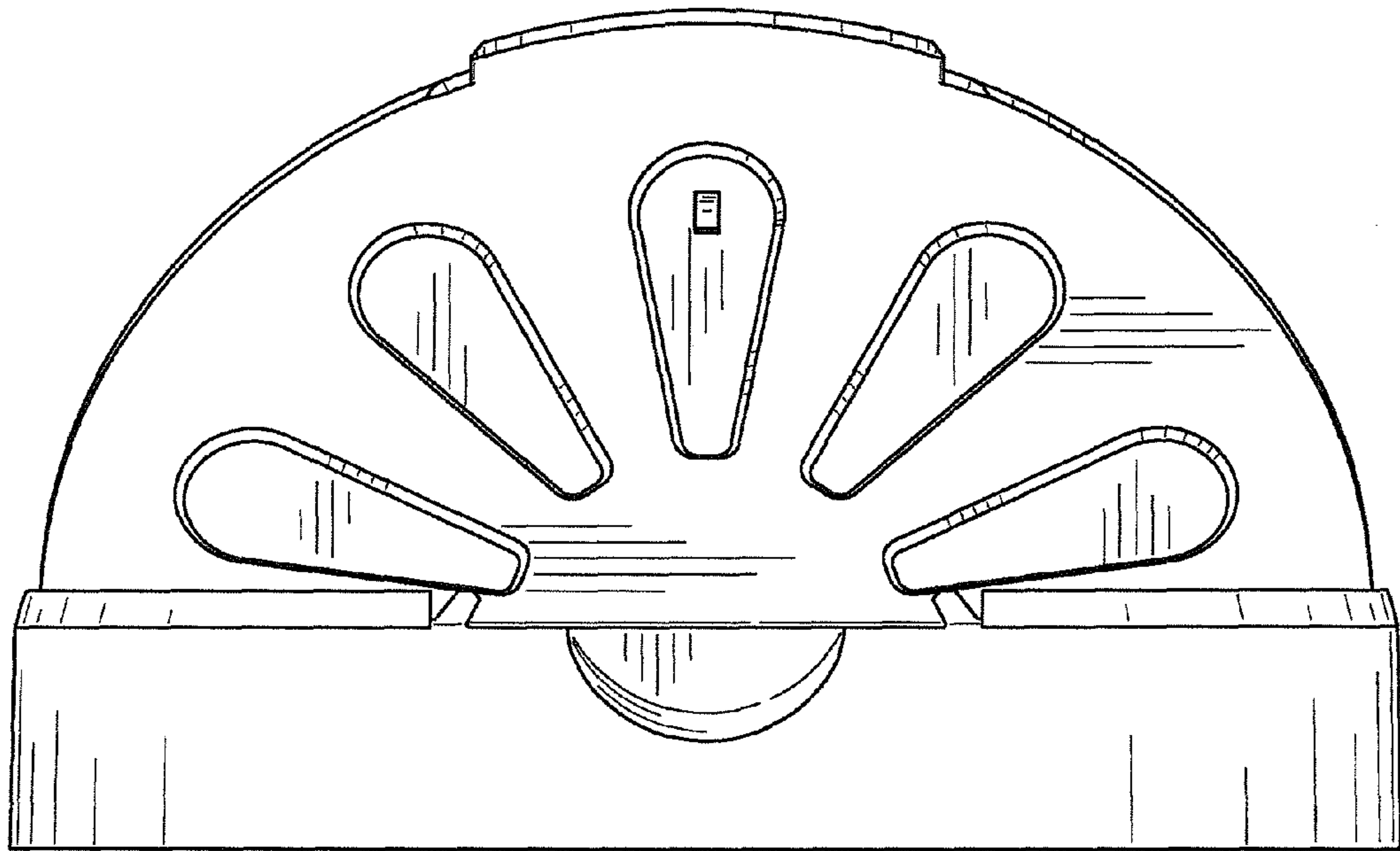


FIG. 2

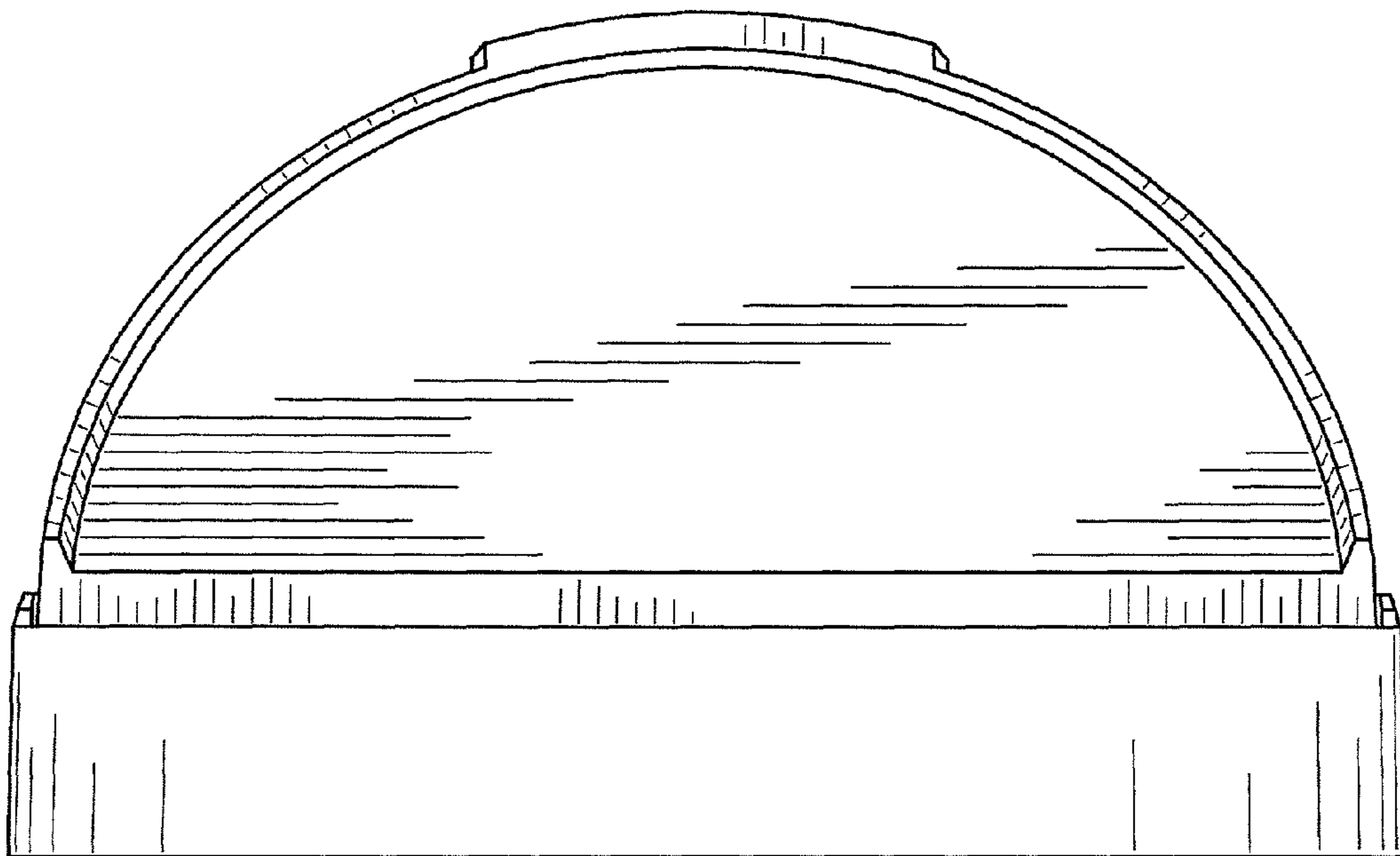


FIG. 3

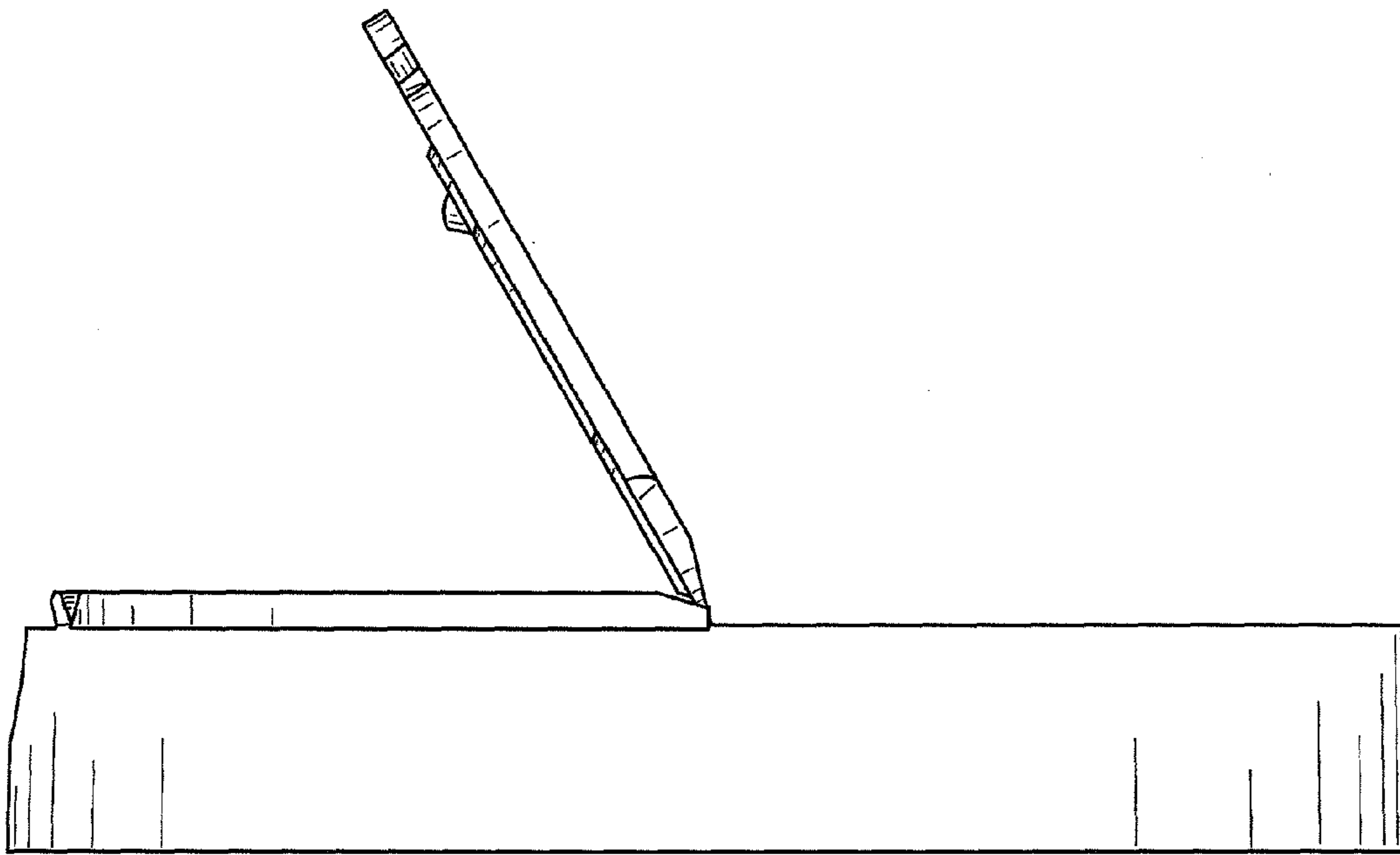


FIG. 4

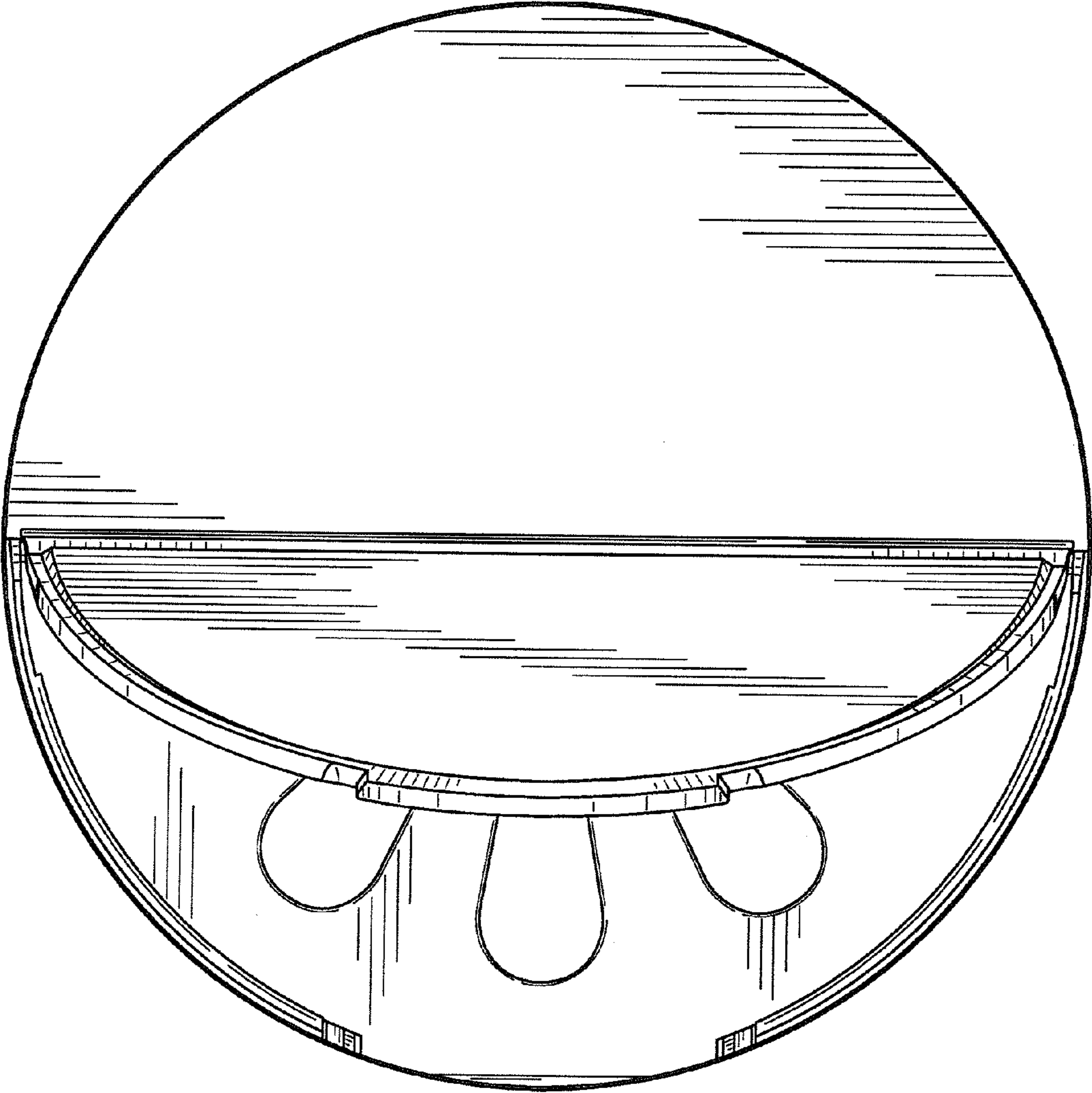


FIG. 5

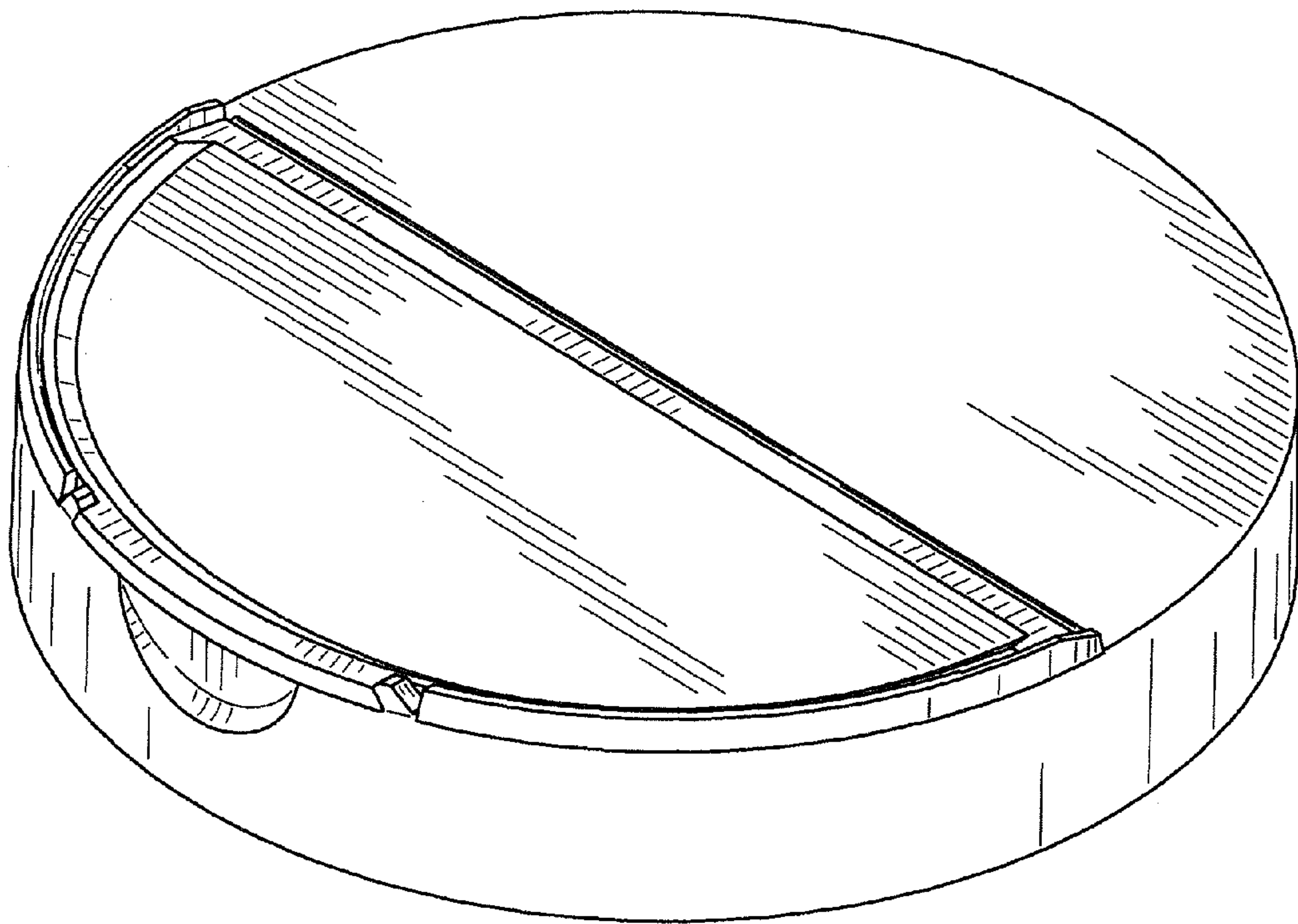


FIG. 6



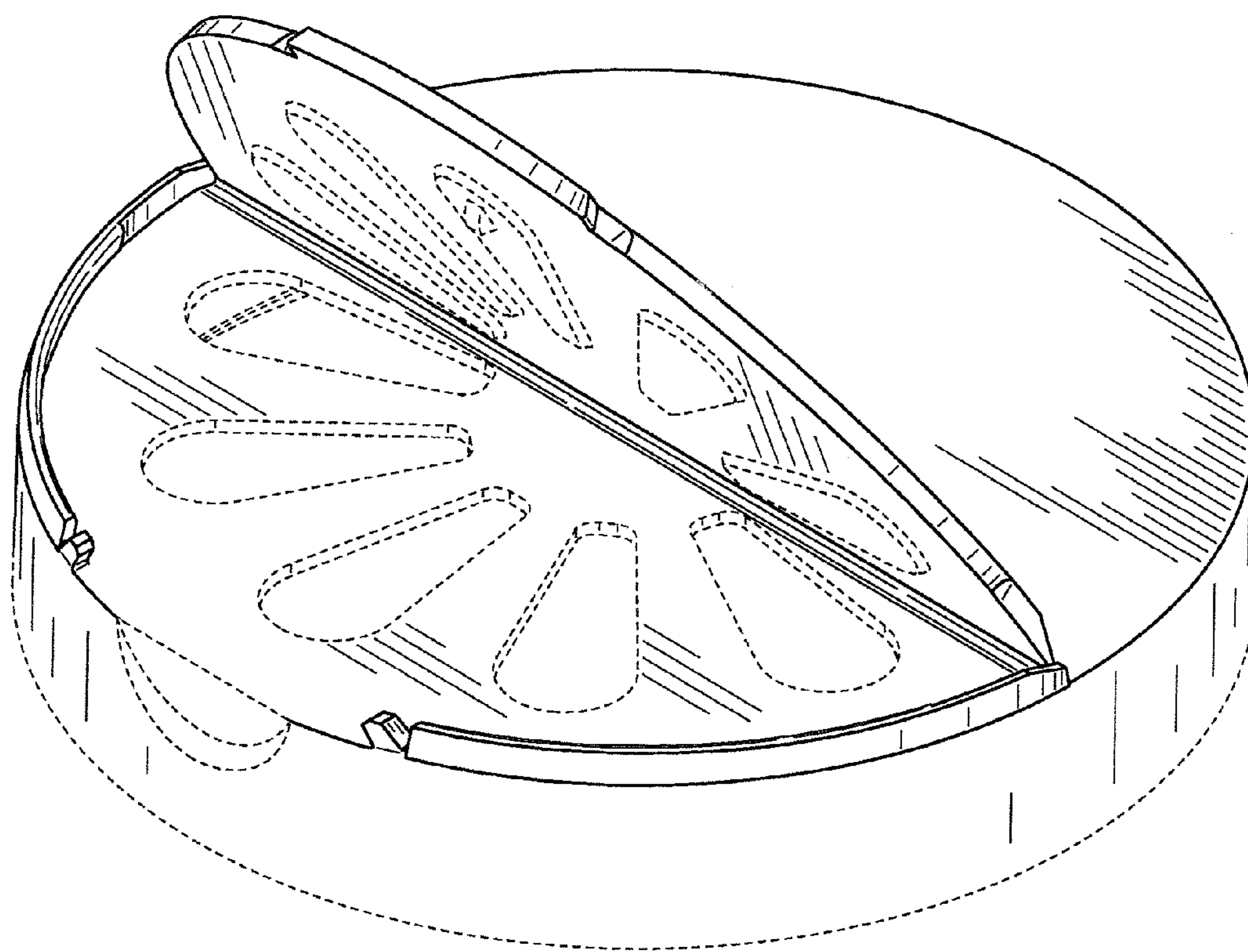


FIG. 7



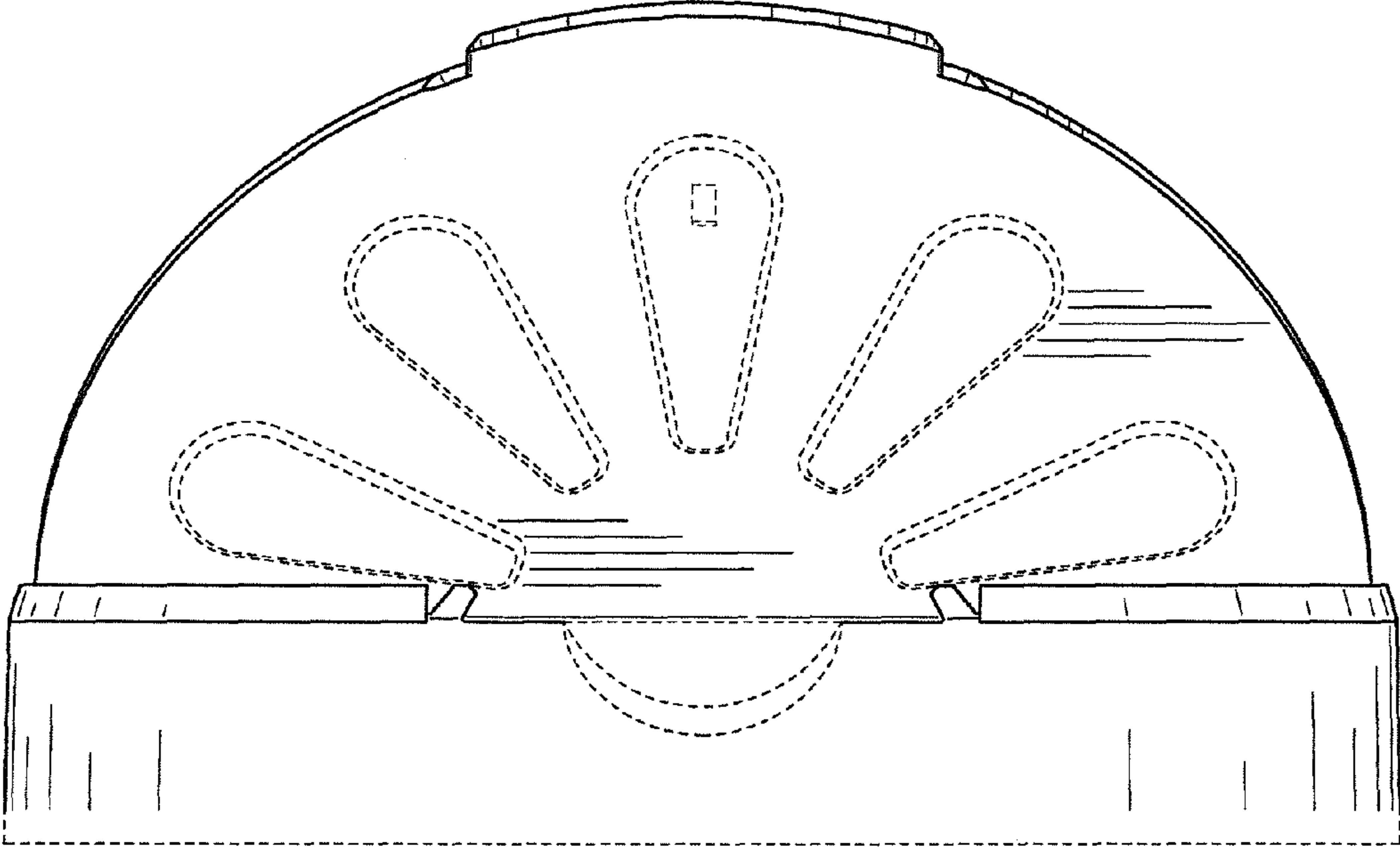


FIG. 8

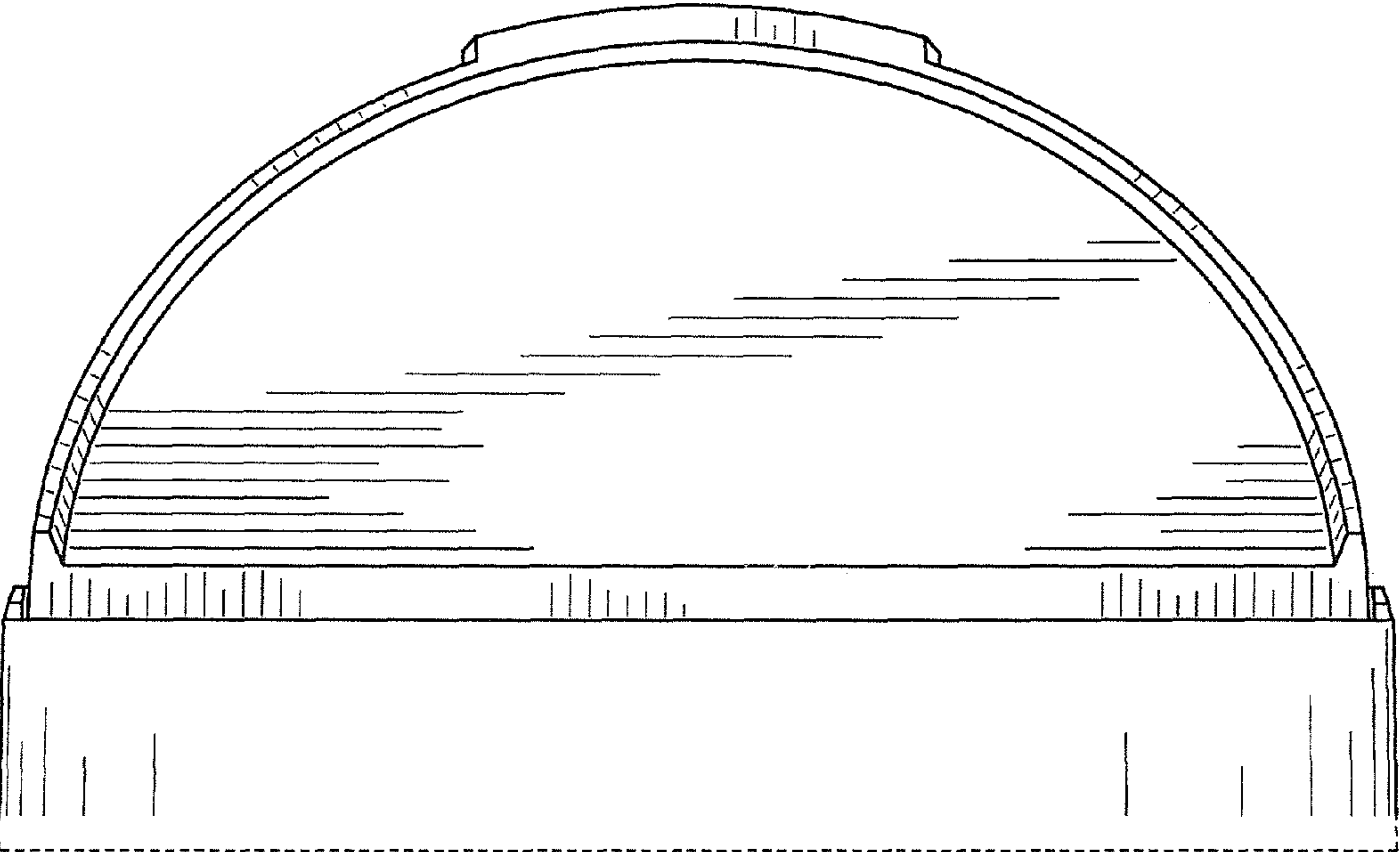


FIG. 9

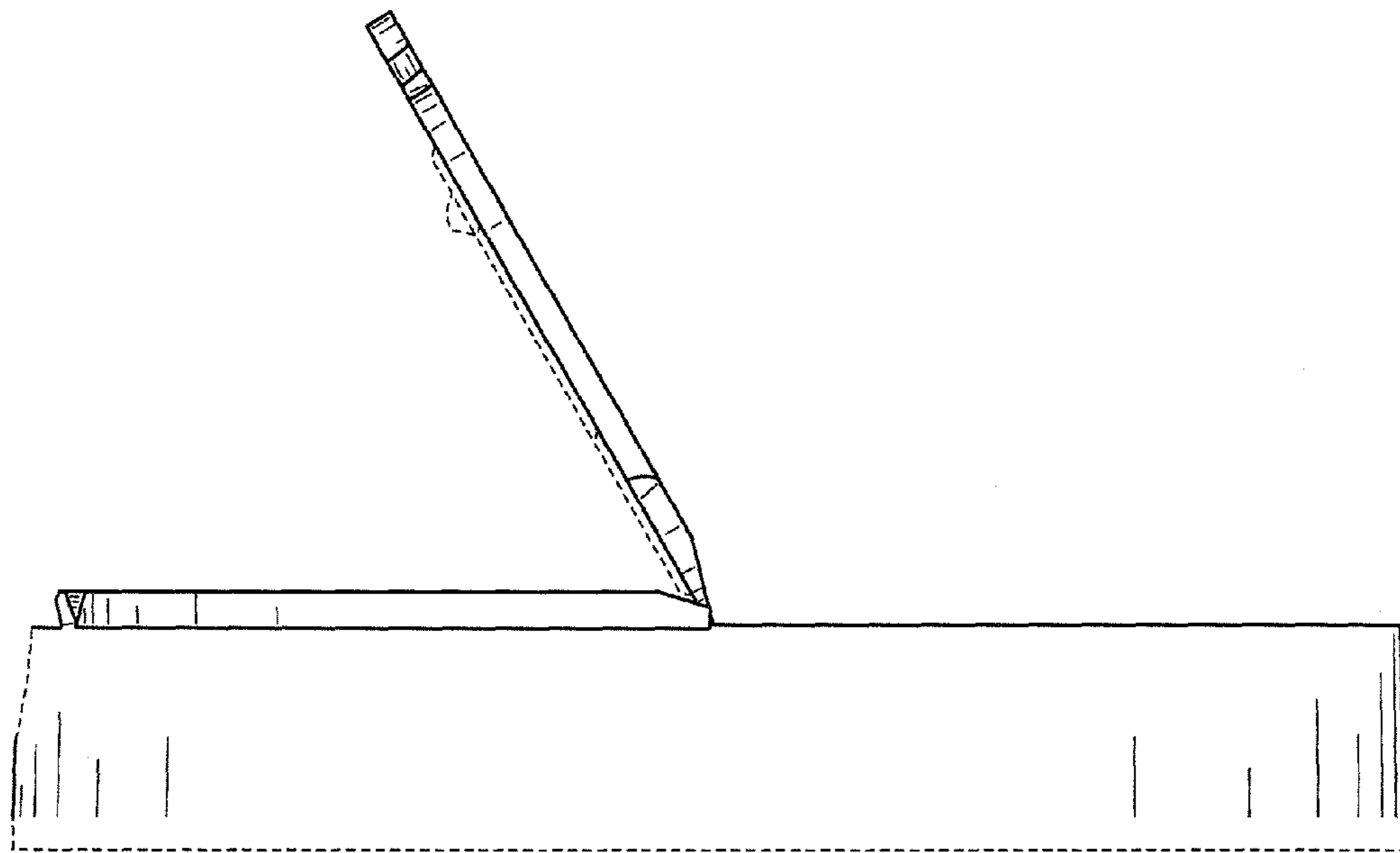


FIG. 10

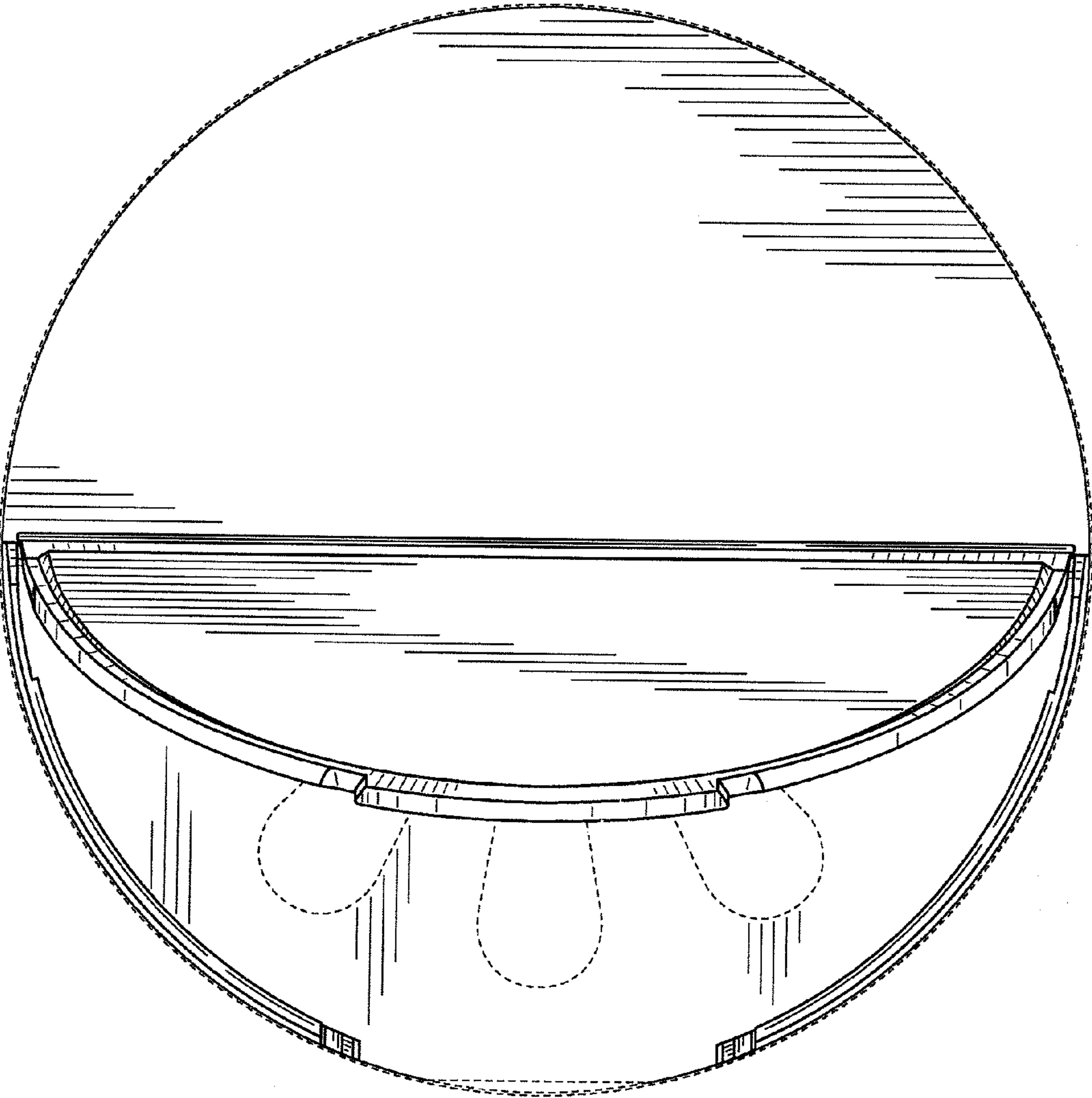


FIG. 11

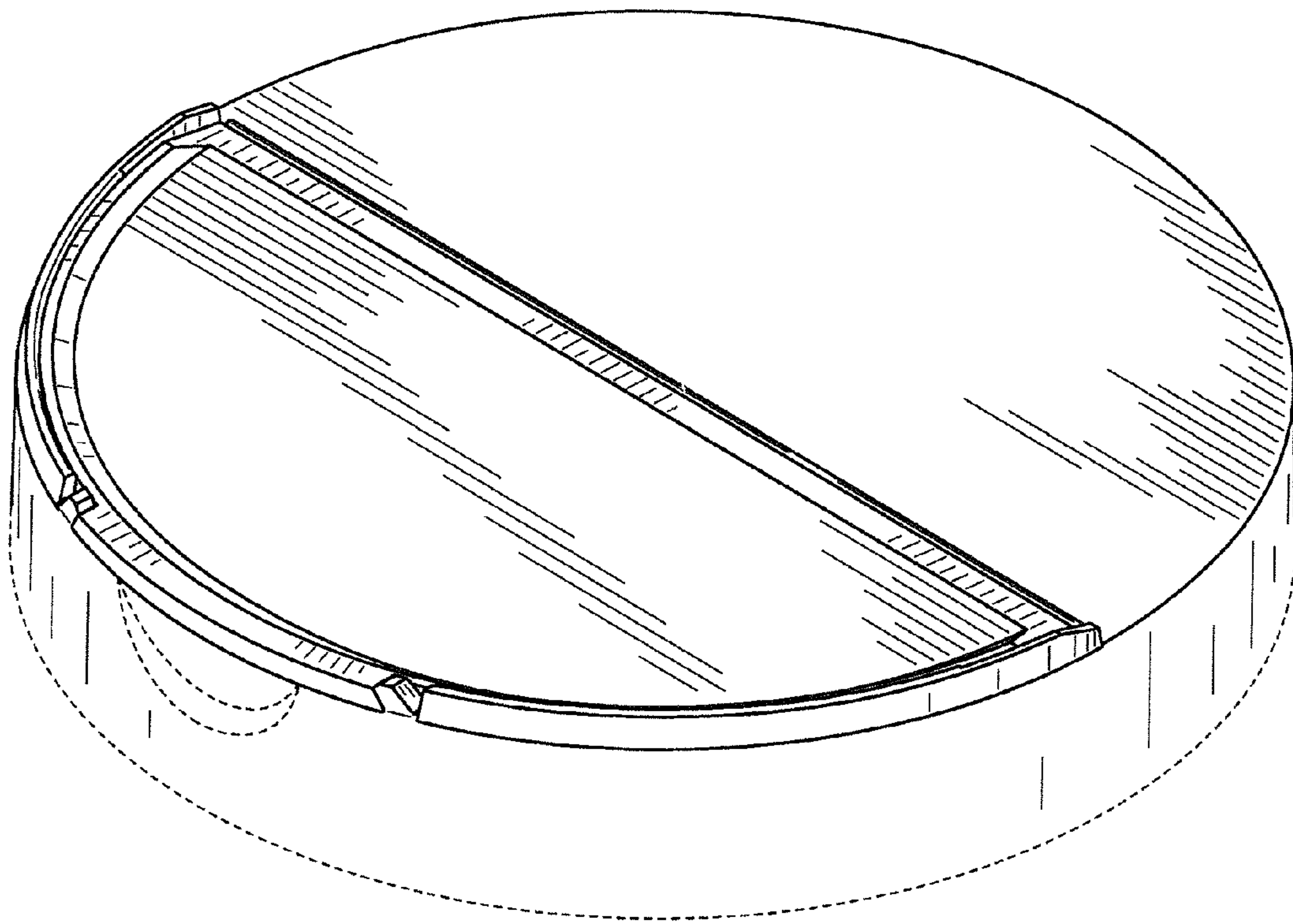


FIG. 12



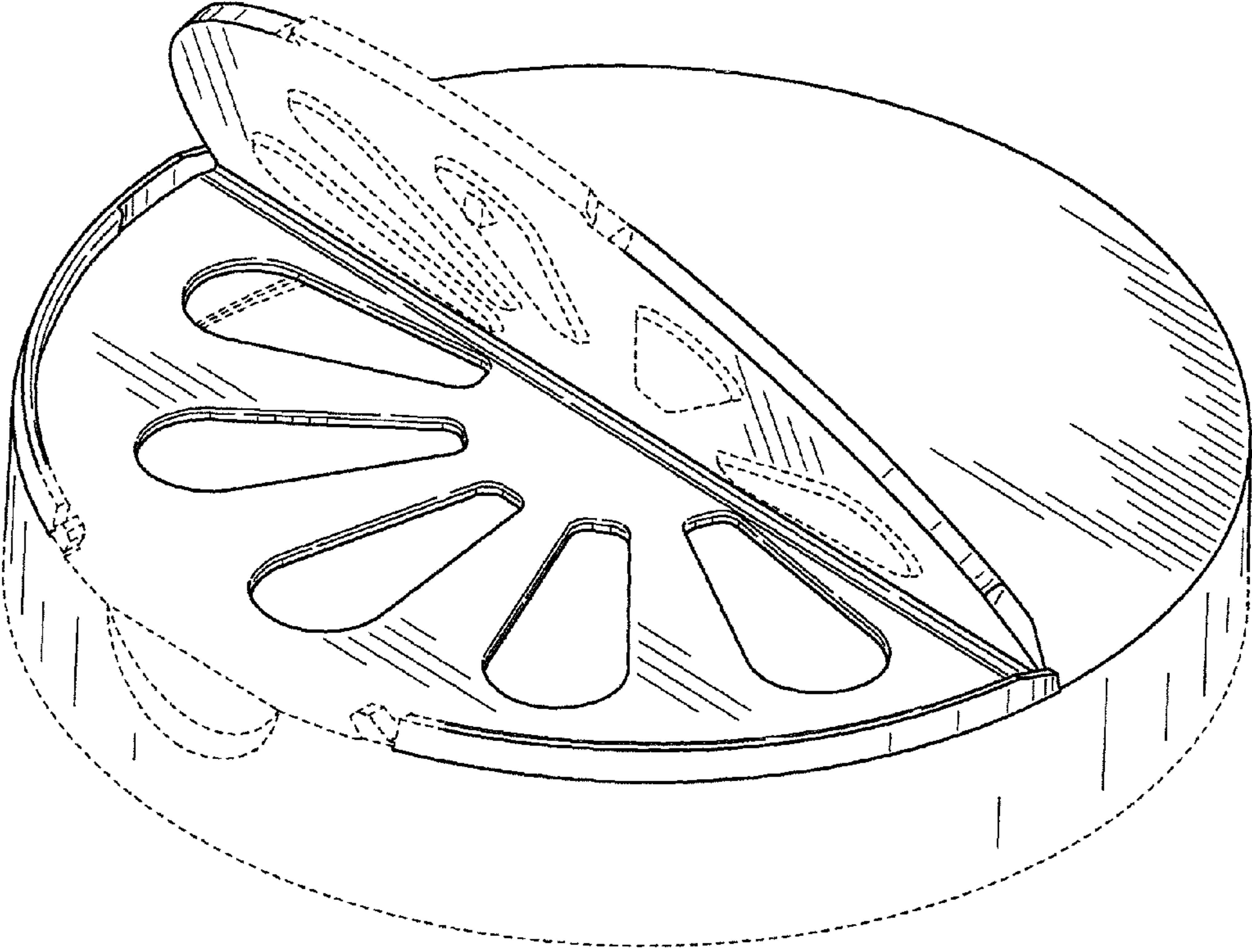


FIG. 13

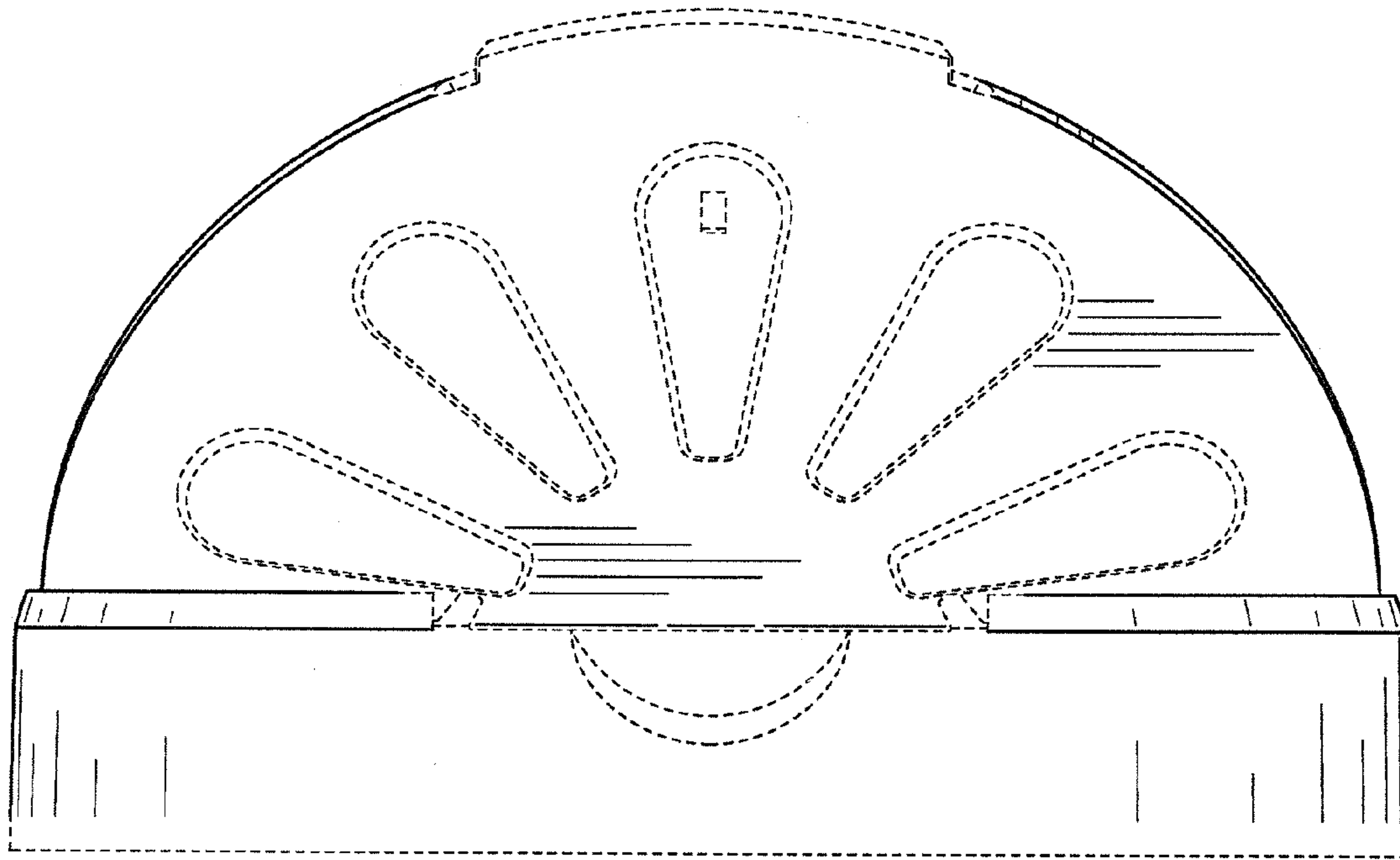


FIG. 14

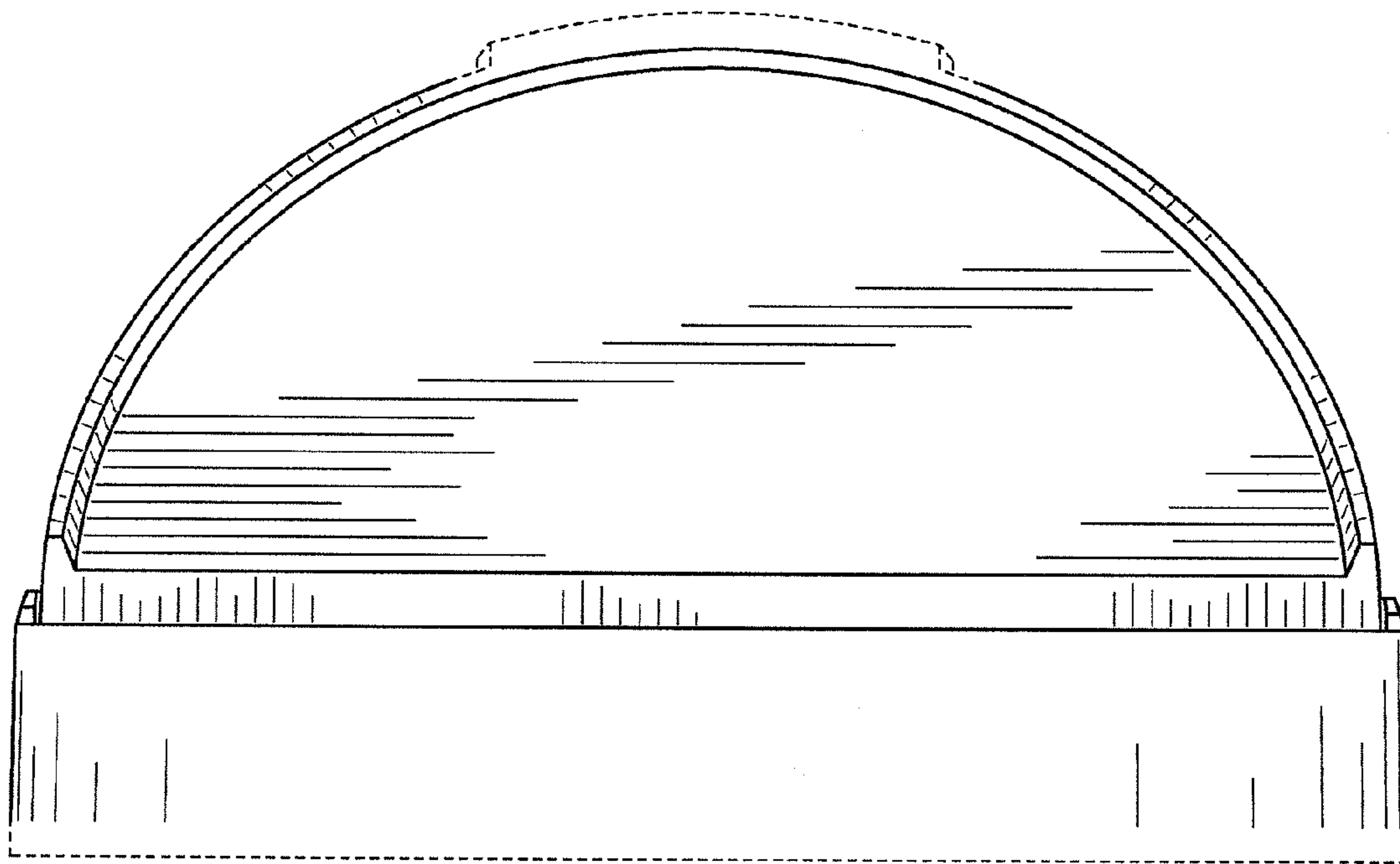


FIG. 15

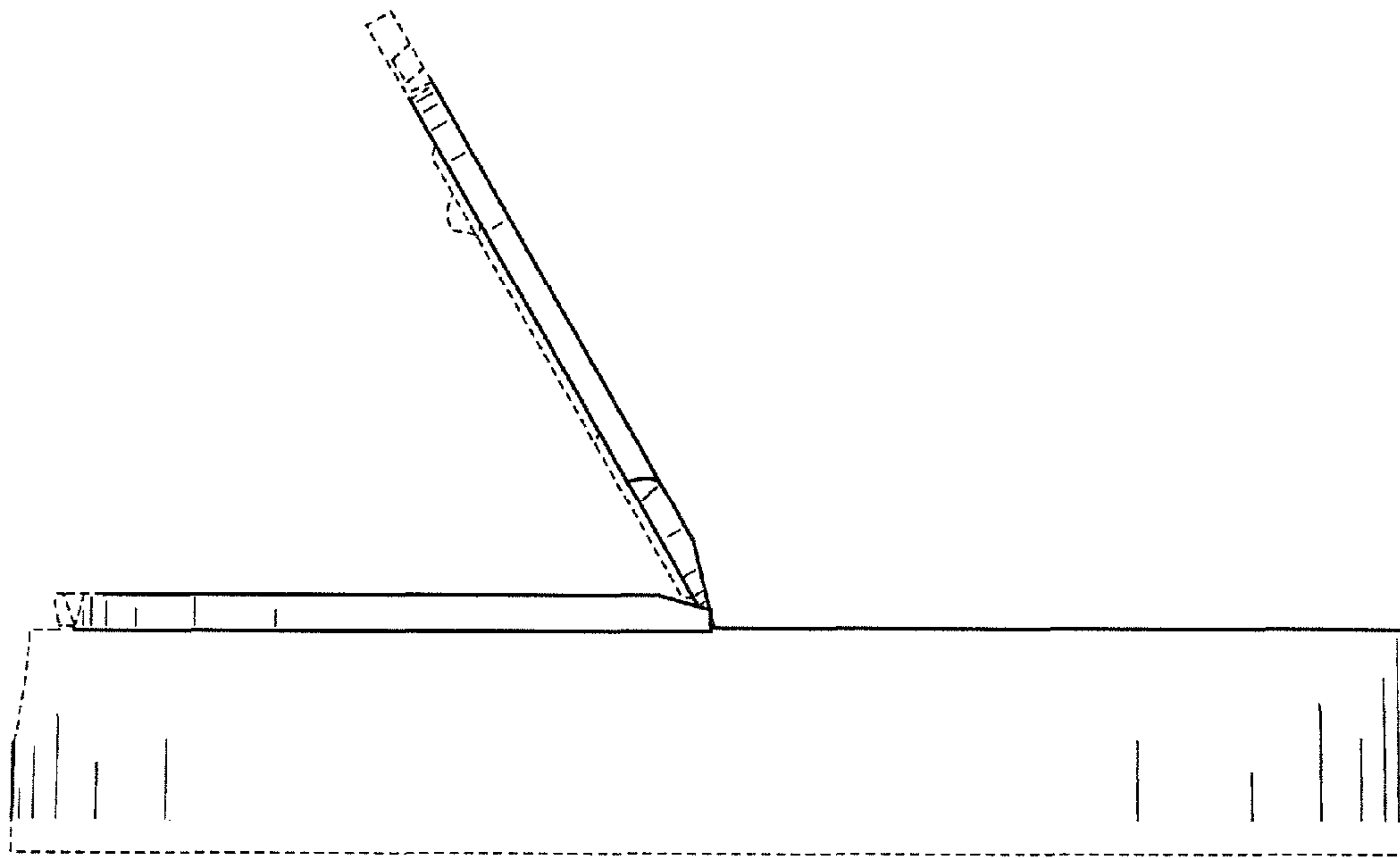


FIG. 16

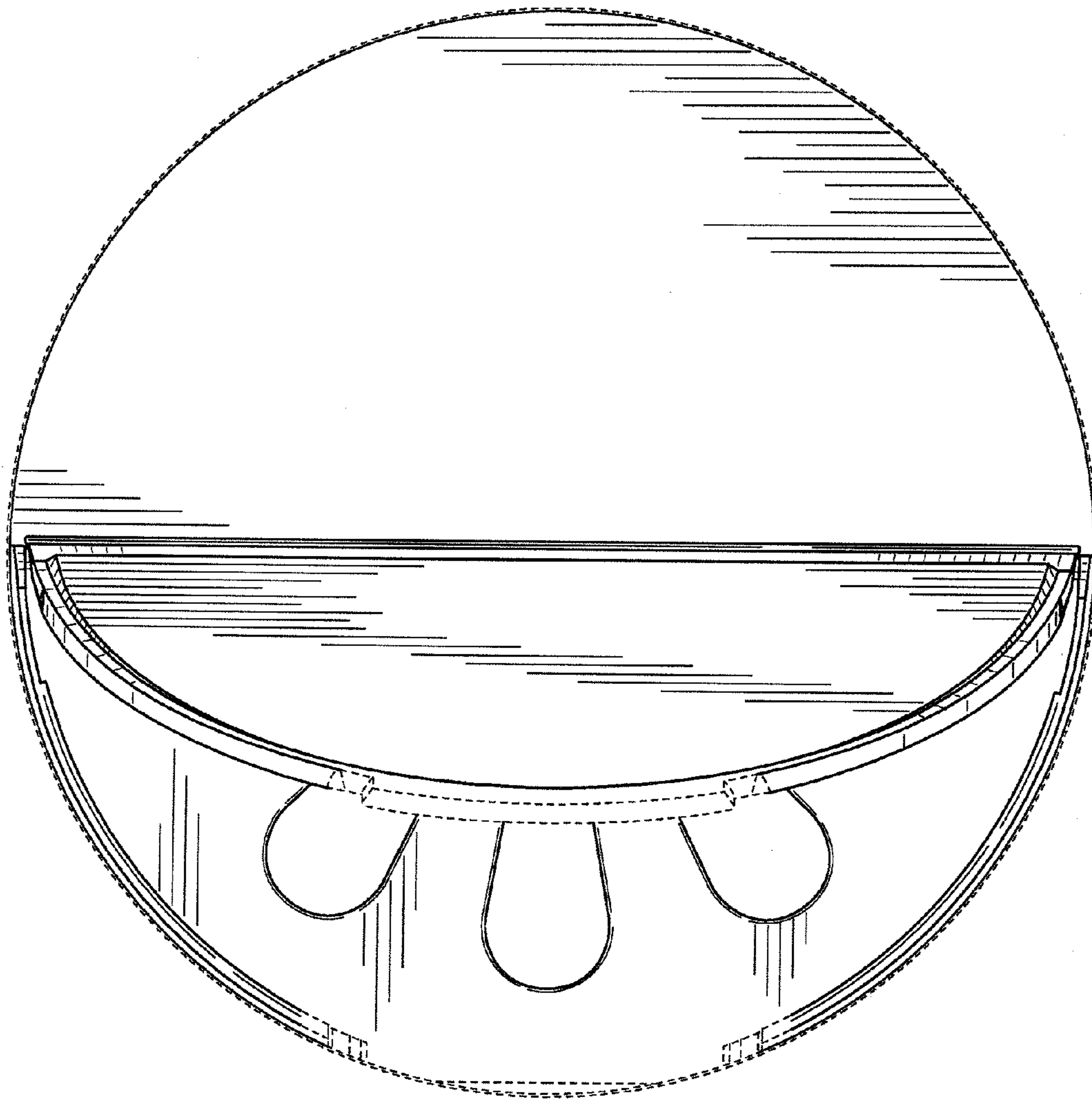


FIG. 17