



US00D673250S

(12) **United States Design Patent**  
**Luke et al.**

(10) **Patent No.:** **US D673,250 S**  
(45) **Date of Patent:** **\*\* Dec. 25, 2012**

(54) **DRAINAGE PIT**

(75) Inventors: **Owen Edward Luke**, Kiama Heights (AU); **Luke Nigel Natrass**, Rhodes (AU)

(73) Assignee: **Reln Pty Ltd**, Ingleburn, NSW (AU)

(\*\*) Term: **14 Years**

(21) Appl. No.: **29/406,031**

(22) Filed: **Nov. 9, 2011**

(30) **Foreign Application Priority Data**

May 13, 2011 (AU) ..... 12158/2011

(51) **LOC (9) Cl.** ..... **23-02**

(52) **U.S. Cl.** ..... **D23/267**

(58) **Field of Classification Search** ..... D23/259–269; 52/11–13, 16; 248/48.1; 404/4–5, 2, 118  
See application file for complete search history.

(56) **References Cited**

**U.S. PATENT DOCUMENTS**

D51,509	S *	11/1917	Plym	.....	D25/119
2,994,254	A *	8/1961	Shumaker	.....	404/2
D255,886	S *	7/1980	Flynn	.....	D11/156
4,365,911	A *	12/1982	Rossberg	.....	405/43
4,815,888	A *	3/1989	Stegmeier	.....	404/4
D326,140	S *	5/1992	Dekel	.....	D23/267
5,211,461	A *	5/1993	Teufel et al.	.....	312/334.4
5,380,121	A *	1/1995	Schluter	.....	404/14
5,454,663	A *	10/1995	Stegmeier	.....	404/2
D377,389	S *	1/1997	Phillips et al.	.....	D23/261
5,718,537	A *	2/1998	Becker et al.	.....	405/119
5,735,638	A *	4/1998	Beamer	.....	405/119
5,784,838	A *	7/1998	Phillips	.....	52/169.5
5,971,662	A *	10/1999	Becker et al.	.....	405/119
6,113,311	A *	9/2000	Becker et al.	.....	405/119

D463,581	S *	9/2002	Mann	.....	D25/164
D466,596	S *	12/2002	Stegmeier et al.	.....	D23/267
6,729,795	B2 *	5/2004	Dahowski et al.	.....	404/4
6,860,678	B2 *	3/2005	Gunter	.....	405/118
D519,601	S *	4/2006	Addison	.....	D23/209
7,048,466	B2 *	5/2006	Benesteau et al.	.....	404/4
D540,438	S *	4/2007	Natrass	.....	D23/267
7,252,457	B2 *	8/2007	Humphries et al.	.....	405/35
D565,148	S *	3/2008	Addison	.....	D23/209
D582,527	S *	12/2008	Wang	.....	D23/261
D583,913	S *	12/2008	Natrass et al.	.....	D23/261
D612,022	S *	3/2010	Natrass et al.	.....	D23/267
D613,831	S *	4/2010	Bradbeer	.....	D23/267
D613,832	S *	4/2010	Bradbeer	.....	D23/267
7,794,176	B2 *	9/2010	Musser	.....	405/118
2003/0221373	A1 *	12/2003	Kim	.....	52/14
2005/0055887	A1 *	3/2005	Benesteau et al.	.....	52/11
2009/0103982	A1 *	4/2009	Hodgekins et al.	.....	405/118

\* cited by examiner

*Primary Examiner* — Eric Goodman

(74) *Attorney, Agent, or Firm* — Barnes & Thornburg LLP

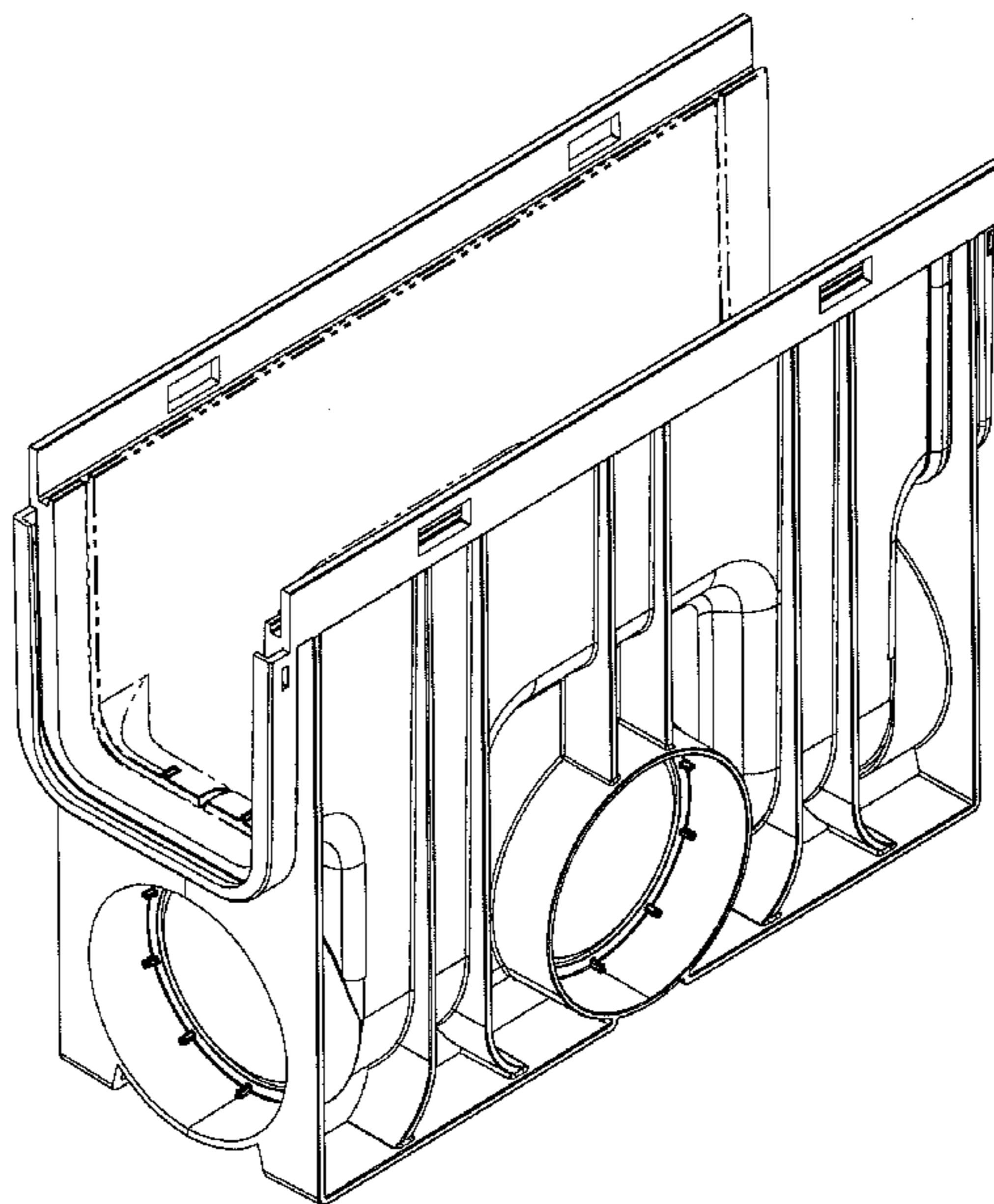
(57) **CLAIM**

The ornamental design for a drainage pit, as shown and described.

**DESCRIPTION**

FIG. 1 is an isometric view of a drainage pit according to our invention,  
FIG. 2 is a top plan view thereof,  
FIG. 3 is a bottom plan view thereof,  
FIG. 4 is a side view thereof, the opposite side being a mirror image thereof,  
FIG. 5 is an end view of one end thereof; and,  
FIG. 6 is an end view of the opposite end thereof.  
The broken line showing is to illustrate portions of the article and forms no part of the claimed design.

**1 Claim, 3 Drawing Sheets**



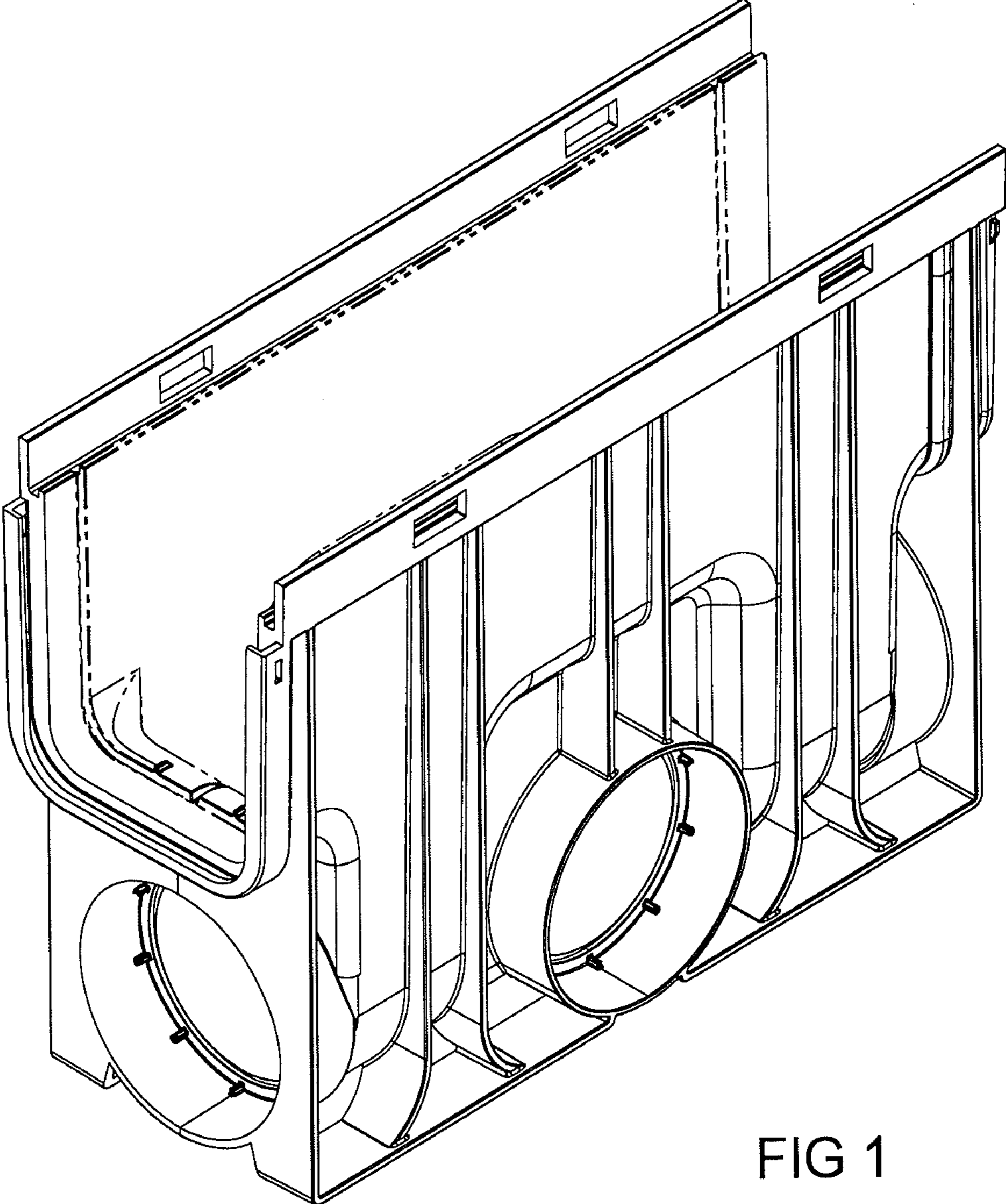


FIG 1

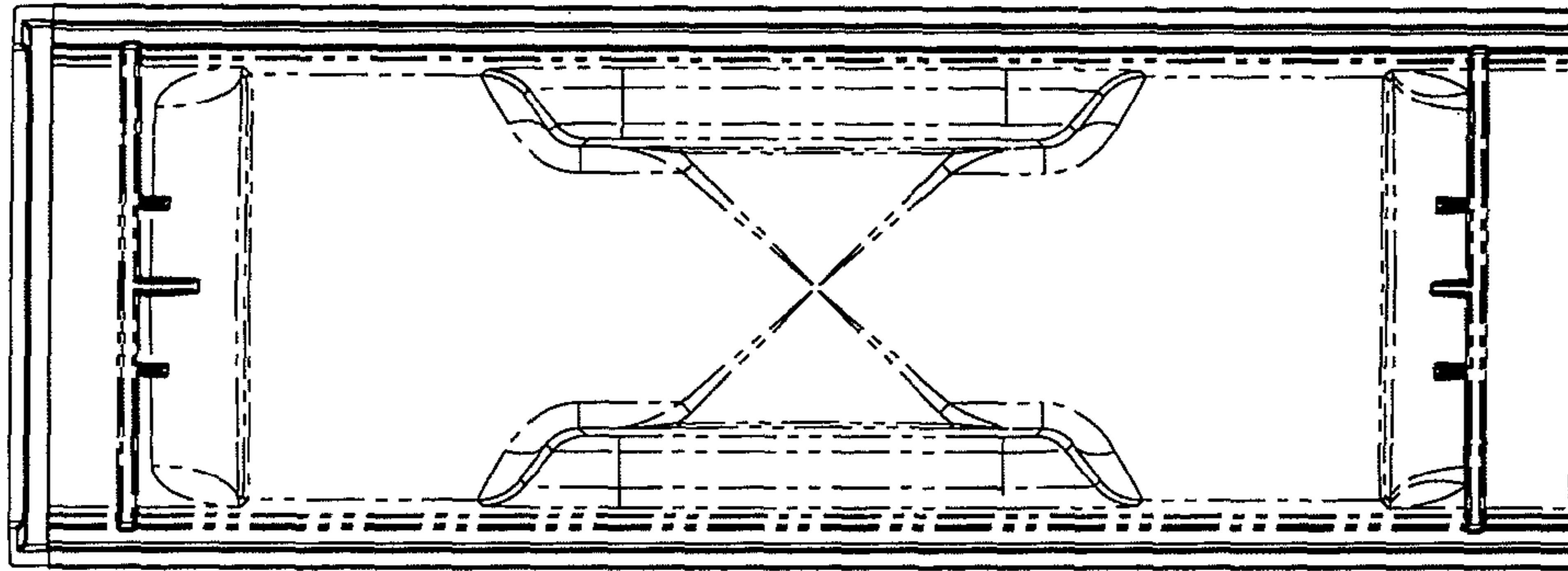


FIG 2

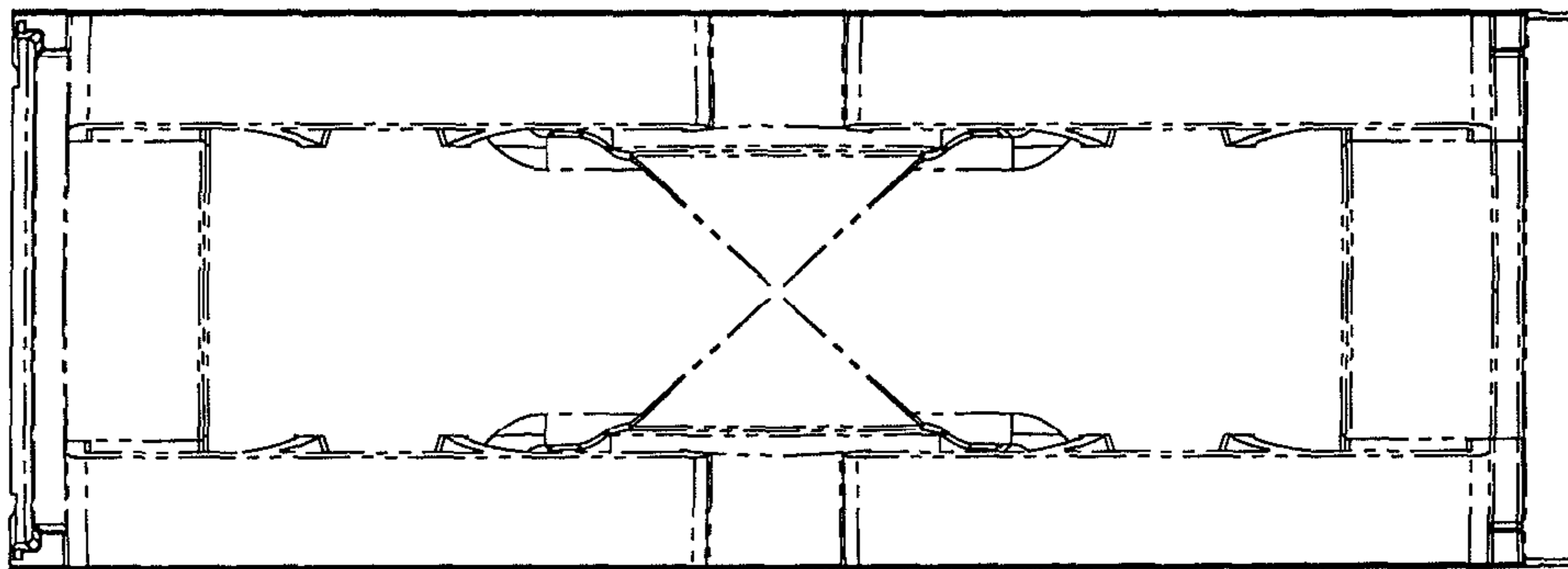
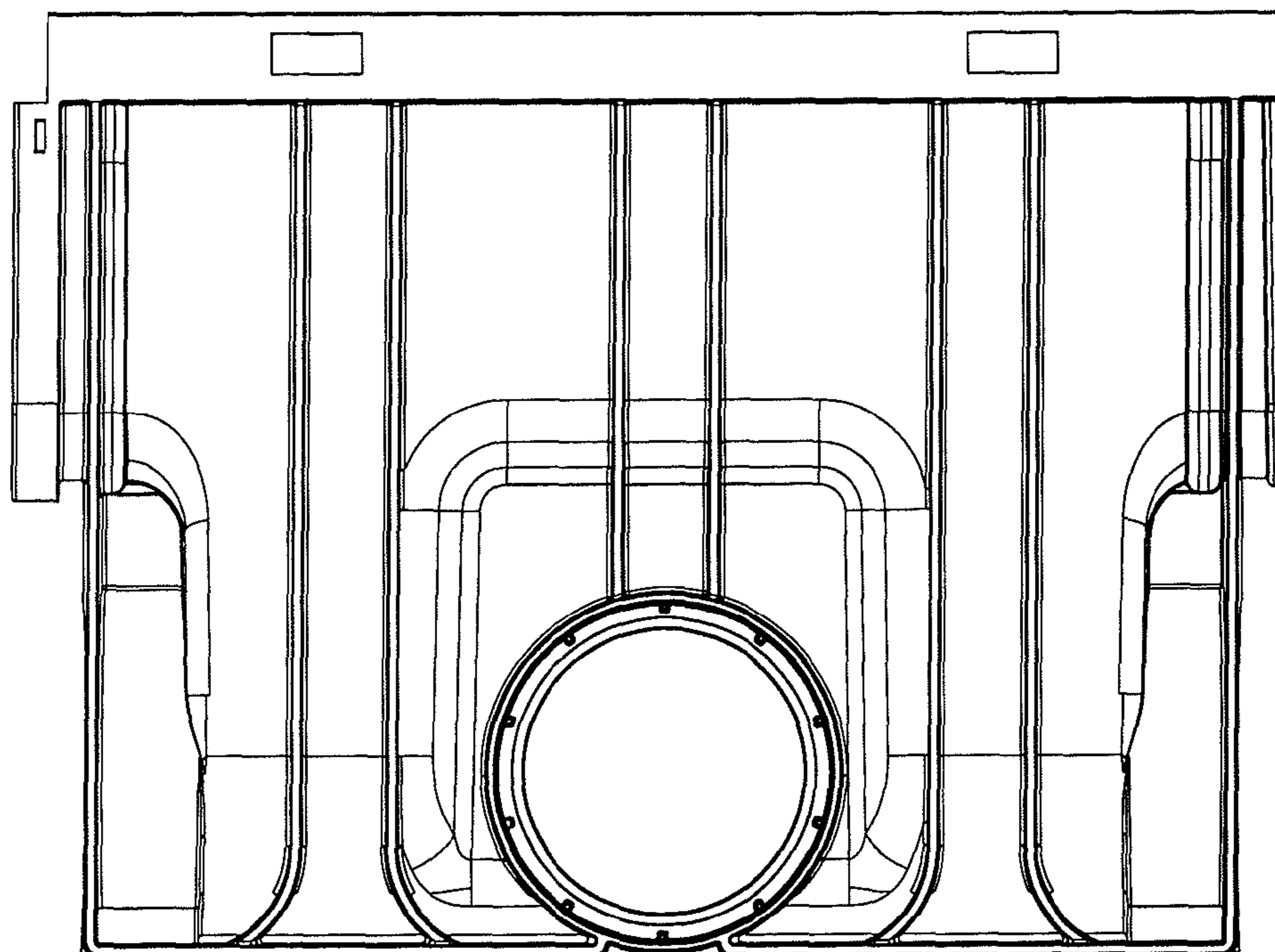


FIG 3

FIG 4





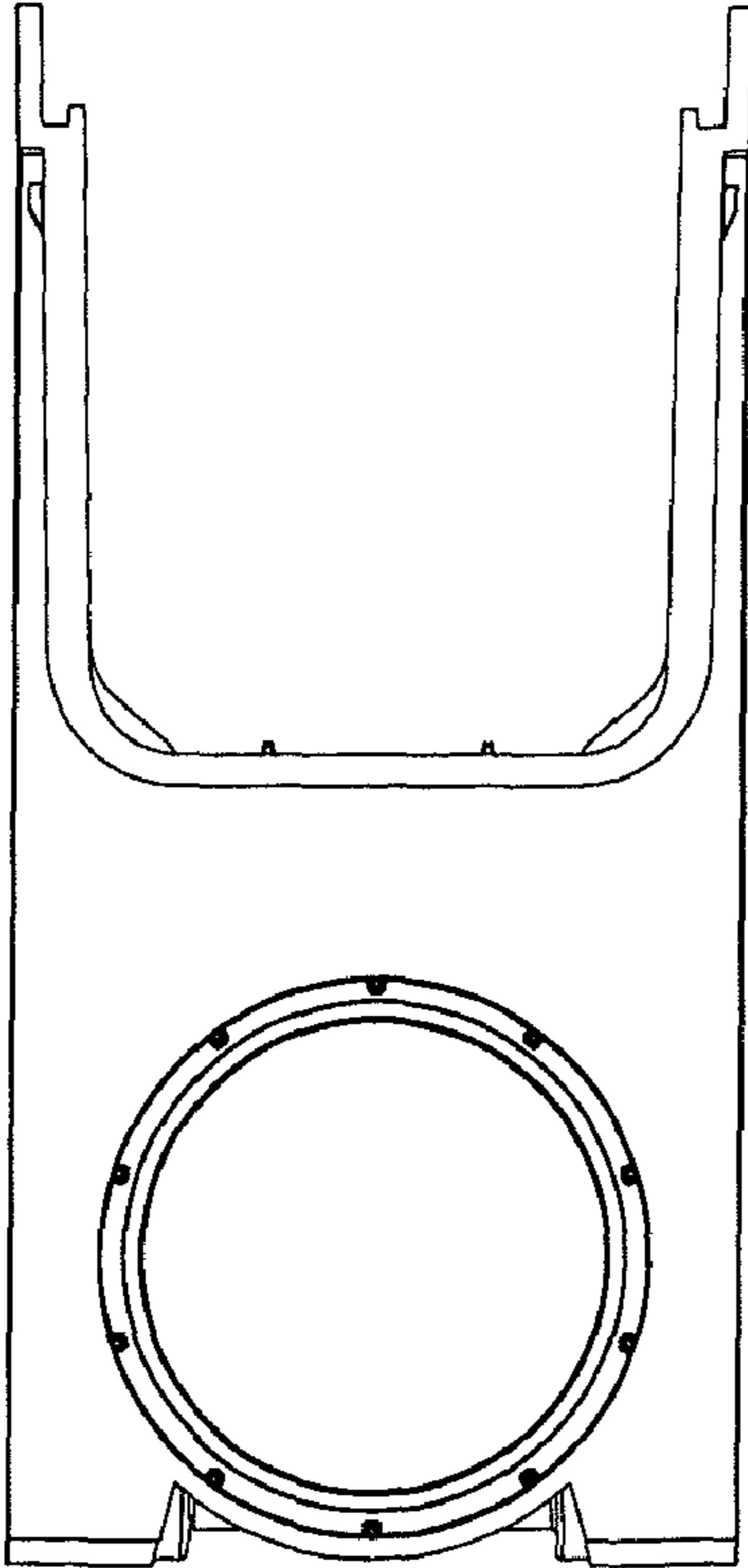


FIG 5

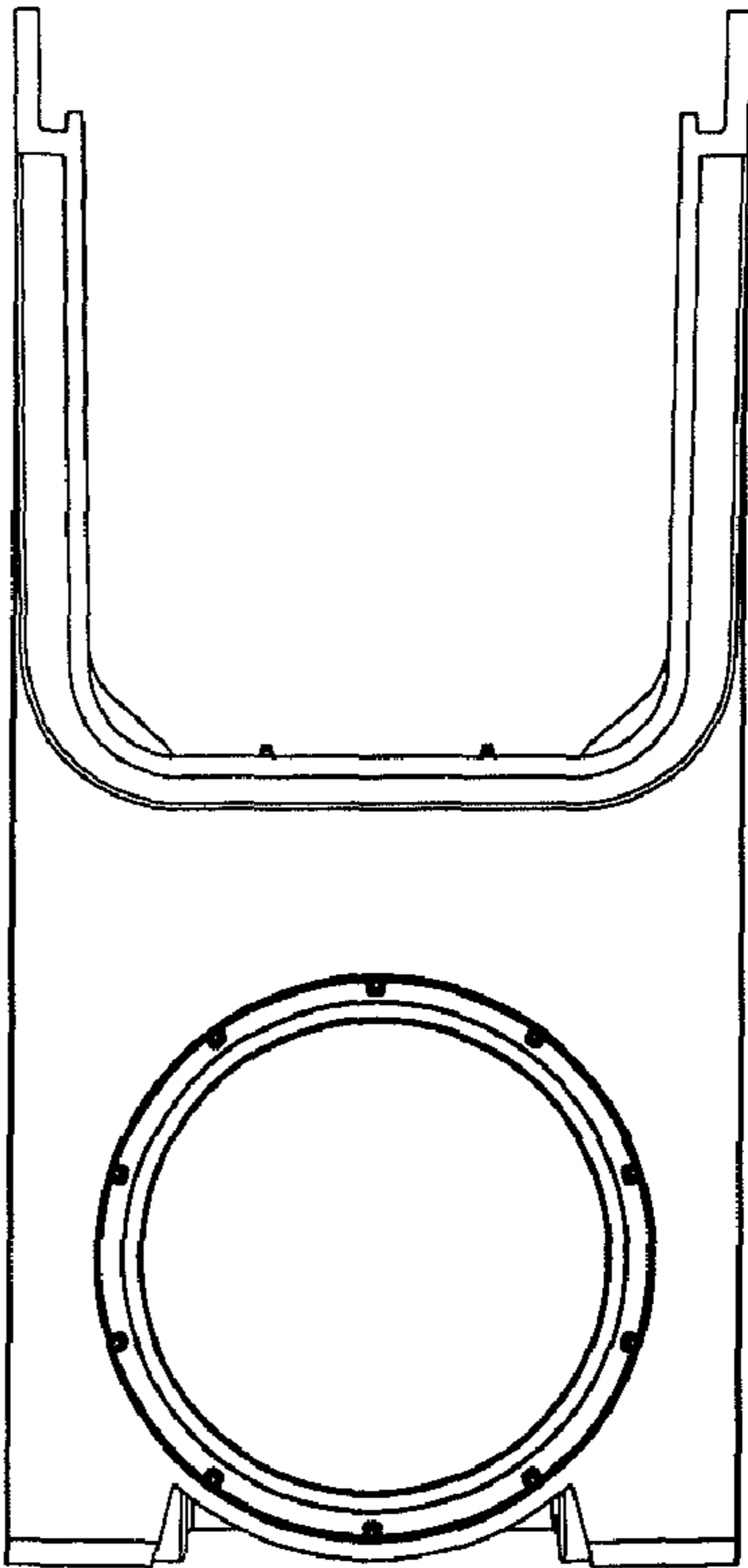


FIG 6