



US00D673247S

(12) **United States Design Patent**
Eylon et al.

(10) **Patent No.:** **US D673,247 S**

(45) **Date of Patent:** **** Dec. 25, 2012**

(54) **PLUG FOR A BATHTUB**

(76) Inventors: **Nir Gal Eylon**, Ramat Hasharon (IL);
Sharon Ychie, Tel Aviv (IL)

(**) Term: **14 Years**

(21) Appl. No.: **29/406,074**

(22) Filed: **Nov. 9, 2011**

(51) **LOC (9) Cl.** **23-01**

(52) **U.S. Cl.** **D23/261**

(58) **Field of Classification Search** D23/260–261;
4/289, 290, 291, 292, 293, 294, 295

See application file for complete search history.

(56) **References Cited**

U.S. PATENT DOCUMENTS

2,443,649	A *	6/1948	Behre	4/287
D449,873	S *	10/2001	Bronson	D23/261
D454,177	S *	3/2002	Tracy	D23/261
6,418,568	B1 *	7/2002	Briggs et al.	4/287
D517,175	S *	3/2006	Holsen	D23/261
7,467,425	B2 *	12/2008	Harmes	4/286
D599,444	S *	9/2009	Jones	D23/261
D613,829	S *	4/2010	Griffin et al.	D23/260
7,832,027	B2 *	11/2010	Escobar et al.	4/290
D630,306	S *	1/2011	Seehoff et al.	D23/261
8,117,685	B2 *	2/2012	Escobar et al.	4/290

8,171,574	B2 *	5/2012	Escobar et al.	4/290
2006/0207003	A1 *	9/2006	Harmes	4/286
2007/0272604	A1 *	11/2007	Chong et al.	210/163

OTHER PUBLICATIONS

<http://www.uxcell.com/clear-rubber-drain-stopper-bathtub-sink-basin-plug-35mm-pcs-p-107758.html> (copyright 2009).*

* cited by examiner

Primary Examiner — Eric Goodman

(57) **CLAIM**

I claim the ornamental design for a plug for a bathtub, as shown and described.

DESCRIPTION

FIG. 1 is a top, perspective view of a bathtub plug for drains of the claimed design;

FIG. 2 is a bottom, perspective view of the bathtub plug of FIG. 1;

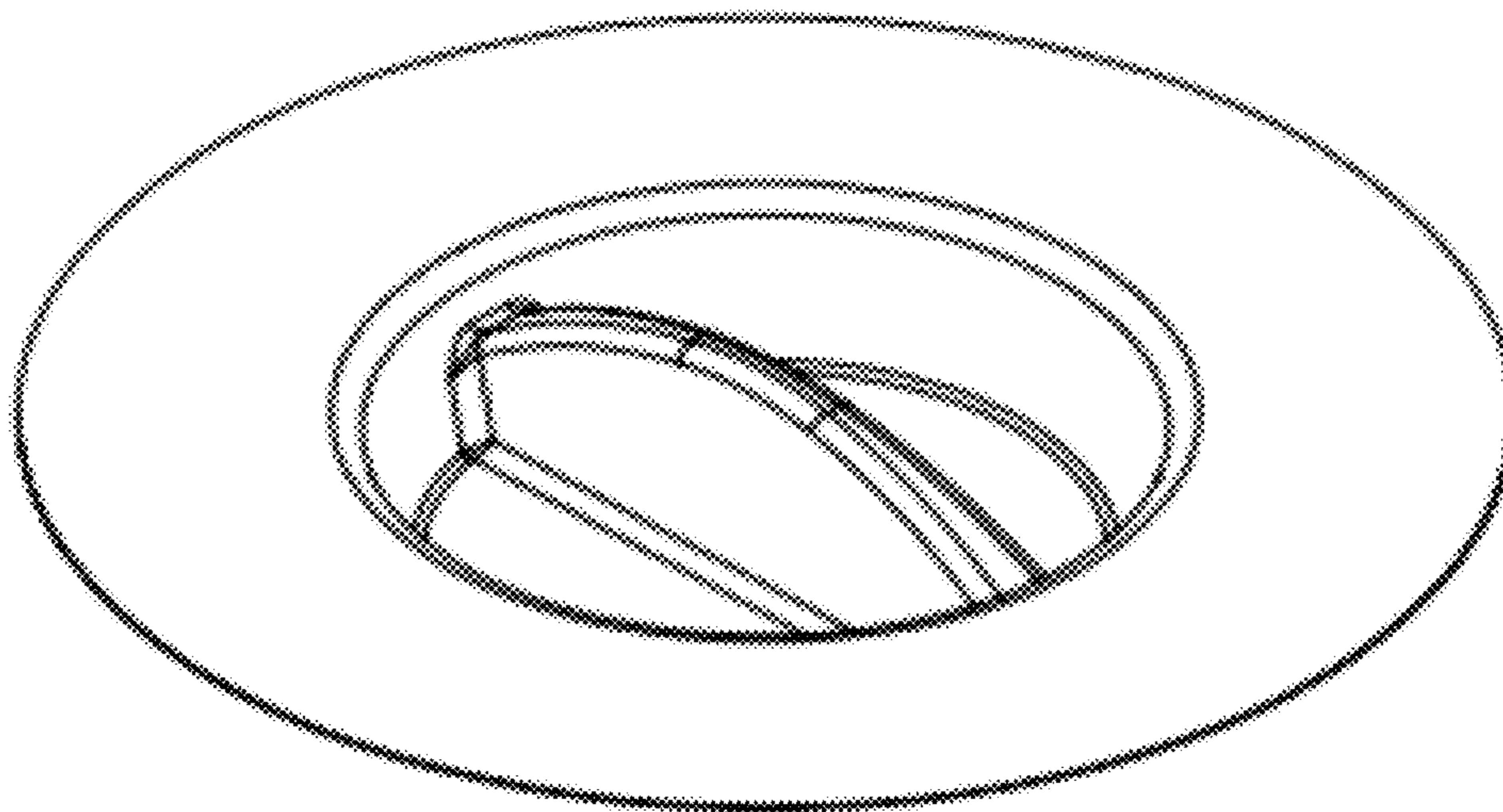
FIG. 3 is a top view of the bathtub plug of FIG. 1;

FIG. 4 is a bottom view of the bathtub plug of FIG. 1;

FIG. 5 is a side view of the bathtub plug of FIG. 1; and,

FIG. 6 is another side view of the bathtub plug of FIG. 1 (with the bathtub plug being rotated by 90-degrees relative to its position in FIG. 5).

1 Claim, 2 Drawing Sheets



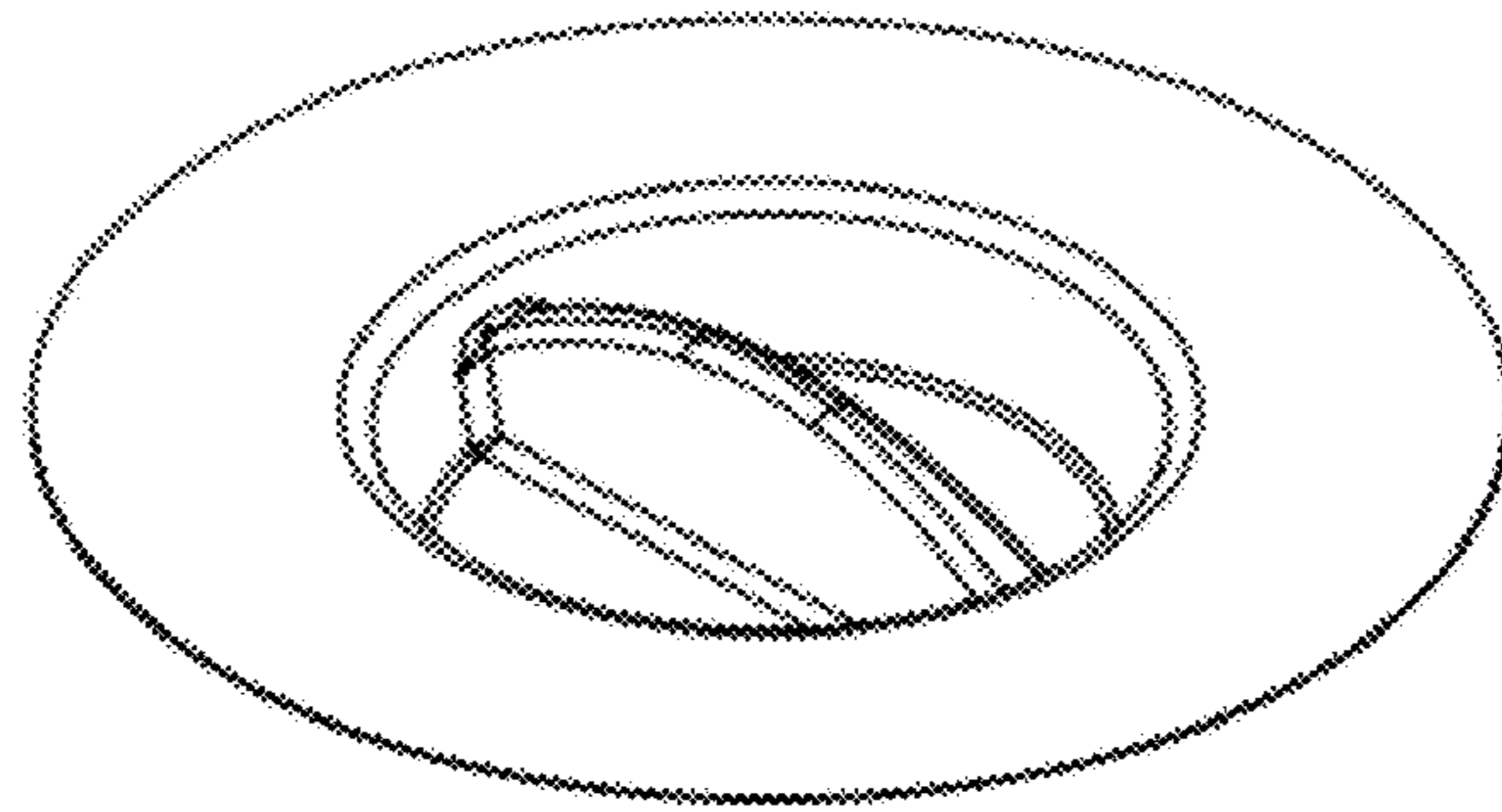


FIG. 1

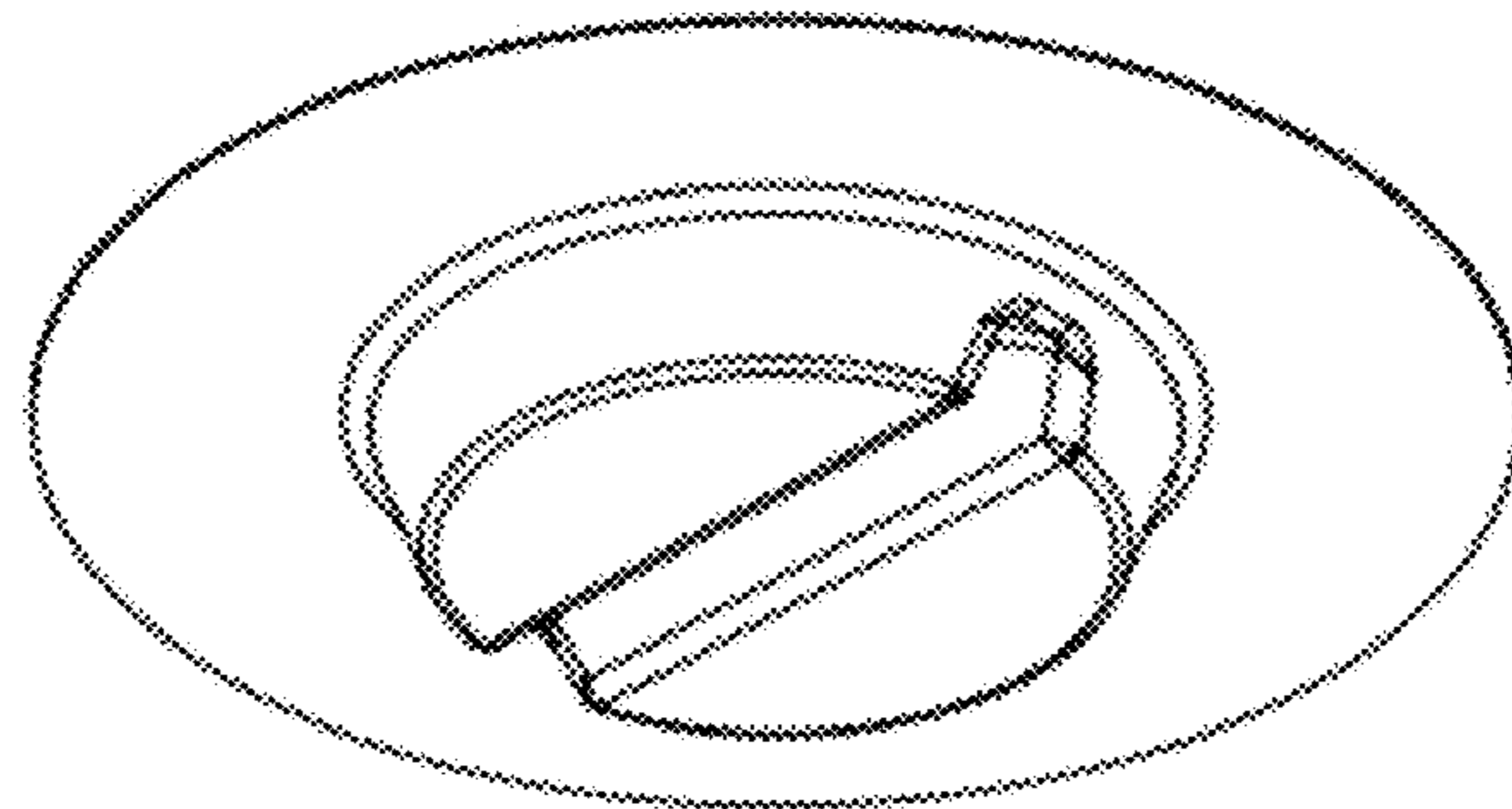


FIG. 2

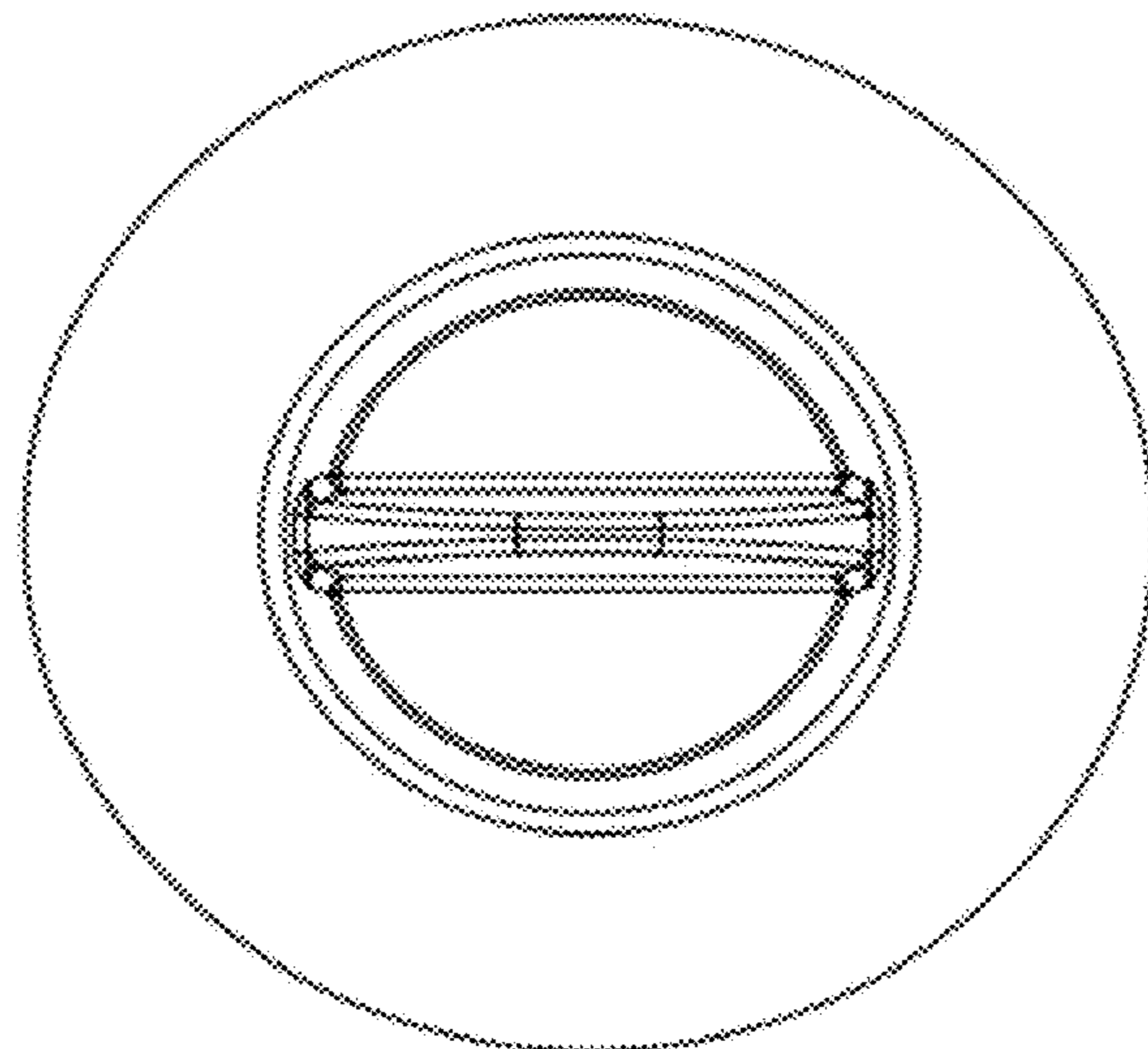


FIG. 3

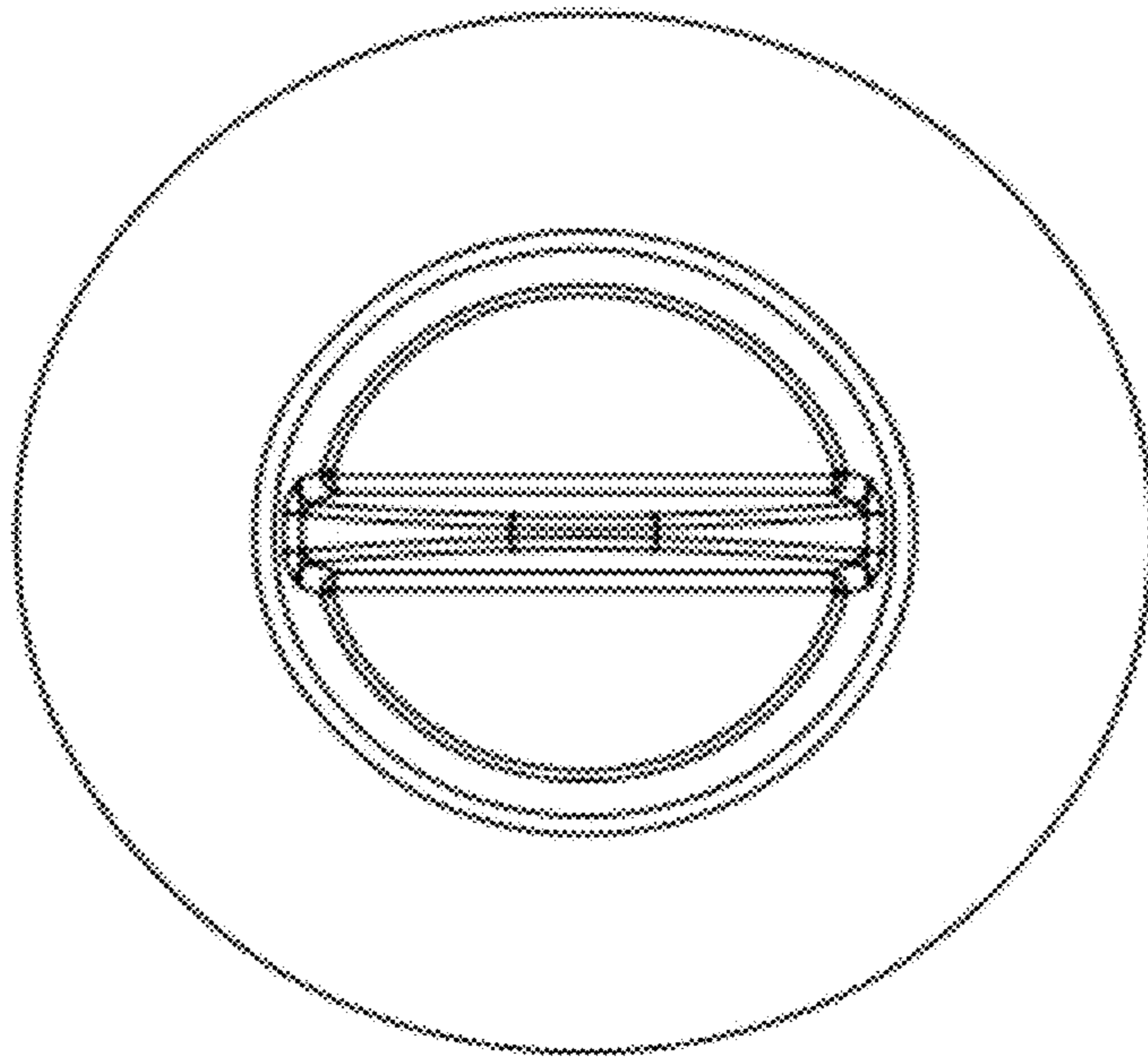


FIG. 4



FIG. 5

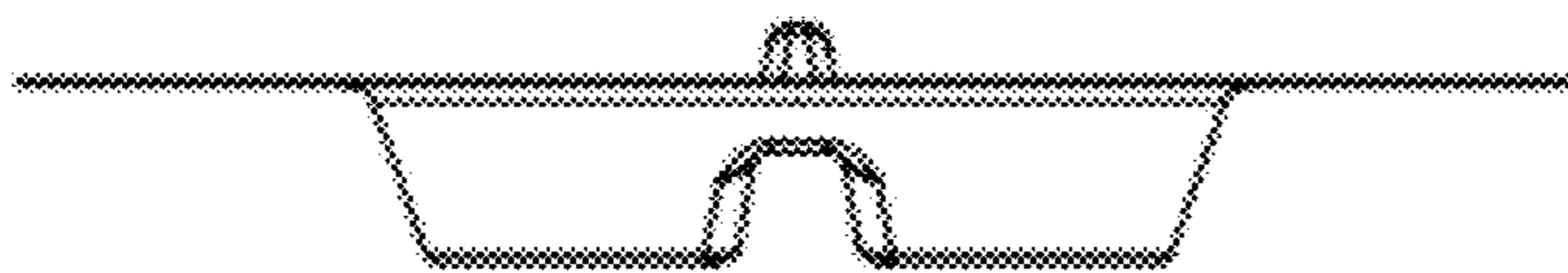


FIG. 6