



US00D673246S

(12) **United States Design Patent**
Lee

(10) **Patent No.:** **US D673,246 S**
(45) **Date of Patent:** **** Dec. 25, 2012**

(54) **SINK STRAINER**

(75) Inventor: **I-Chiun Lee**, Kaohsiung (TW)

(73) Assignee: **Thank God Enterprise Co., Ltd.**,
Kaohsiung (TW)

(**) Term: **14 Years**

(21) Appl. No.: **29/415,494**

(22) Filed: **Mar. 12, 2012**

(30) **Foreign Application Priority Data**

Dec. 6, 2011 (TW) 100306624

(51) **LOC (9) Cl.** **23-01**

(52) **U.S. Cl.** **D23/260**

(58) **Field of Classification Search** D23/260-261;
4/289, 290, 291, 292, 293, 294, 295
See application file for complete search history.

(56) **References Cited**

U.S. PATENT DOCUMENTS

D449,873 S *	10/2001	Bronson	D23/261
D454,177 S *	3/2002	Tracy	D23/261
D517,175 S *	3/2006	Holsen	D23/261
7,467,425 B2 *	12/2008	Harmes	4/286

D599,444 S *	9/2009	Jones	D23/261
D613,829 S *	4/2010	Griffin et al.	D23/260
7,832,027 B2 *	11/2010	Escobar et al.	4/290
D630,306 S *	1/2011	Seehoff et al.	D23/261
8,117,685 B2 *	2/2012	Escobar et al.	4/290
2006/0207003 A1 *	9/2006	Harmes	4/286
2007/0272604 A1 *	11/2007	Chong et al.	210/163

* cited by examiner

Primary Examiner — Eric Goodman

(74) *Attorney, Agent, or Firm* — Jackson IPG PLLC

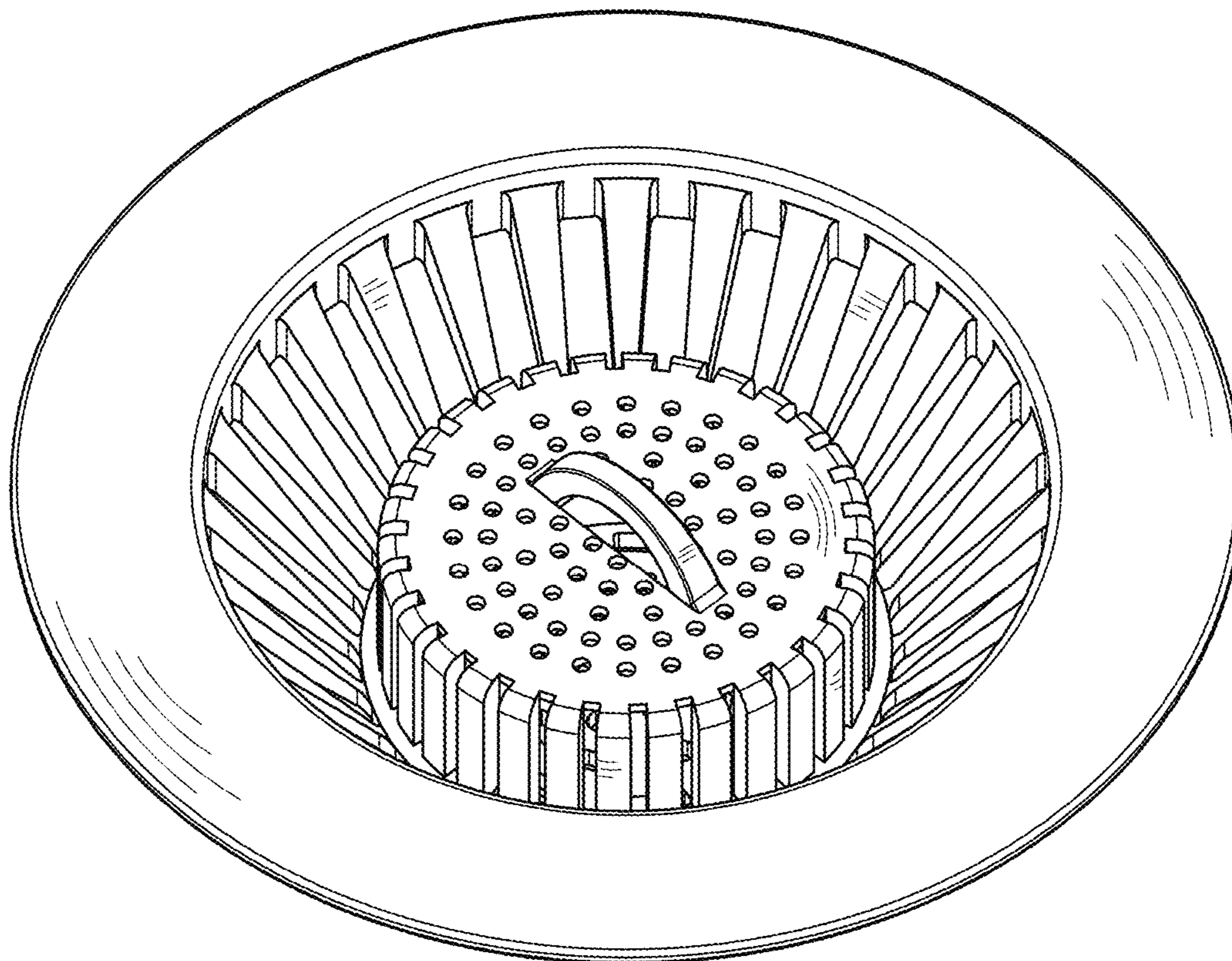
(57) **CLAIM**

The ornamental design for a sink strainer, as shown and described.

DESCRIPTION

FIG. 1 is a perspective view of a sink strainer showing our new design;
FIG. 2 is a front elevational view thereof;
FIG. 3 is a top plan view thereof;
FIG. 4 is a right side elevational view thereof;
FIG. 5 is a left side elevational view thereof;
FIG. 6 is a rear elevational view thereof;
FIG. 7 is a bottom plan view thereof; and,
FIG. 8 is a cross-sectional view thereof, taken along line 8-8 in FIG. 3.

1 Claim, 5 Drawing Sheets



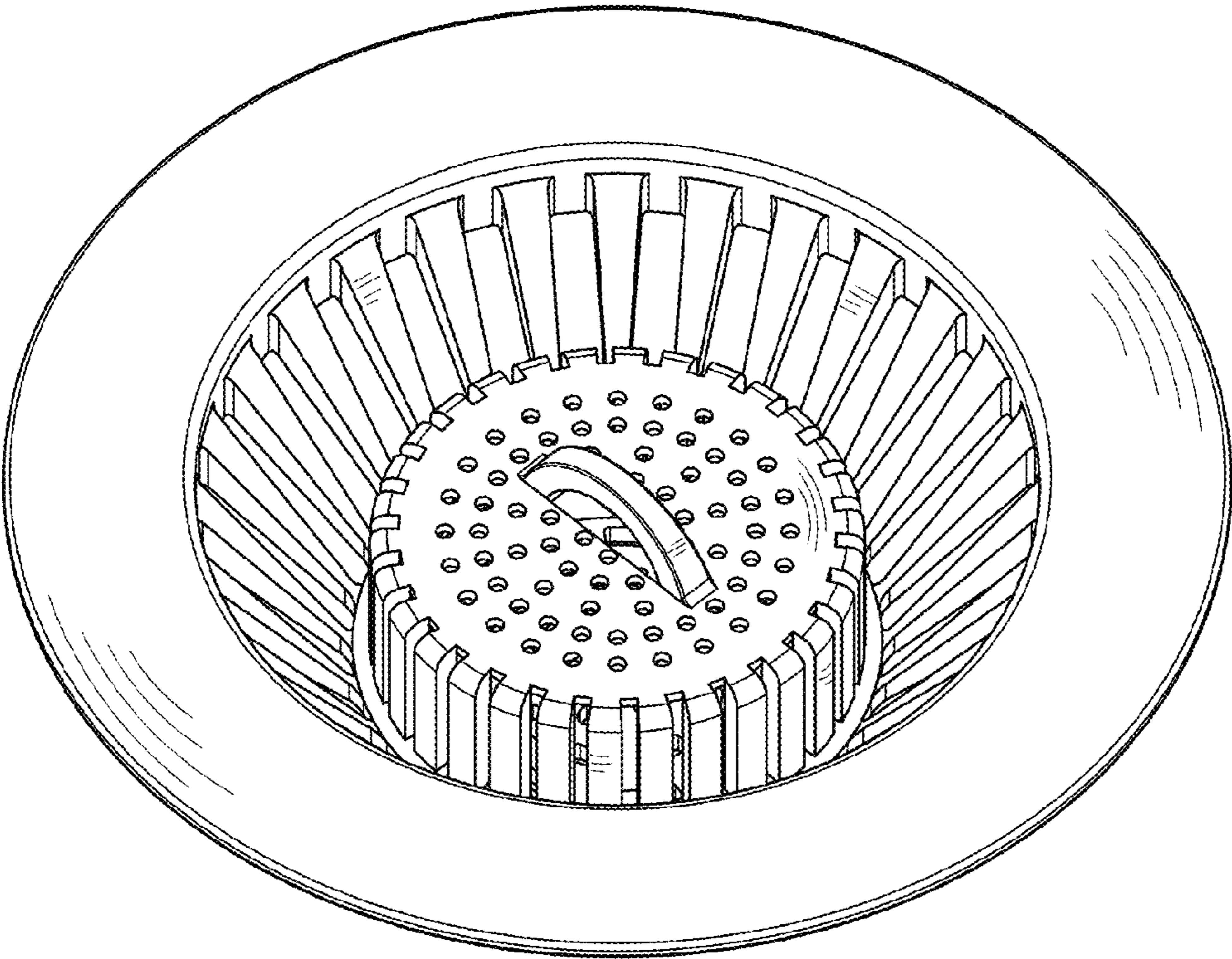


FIG. 1

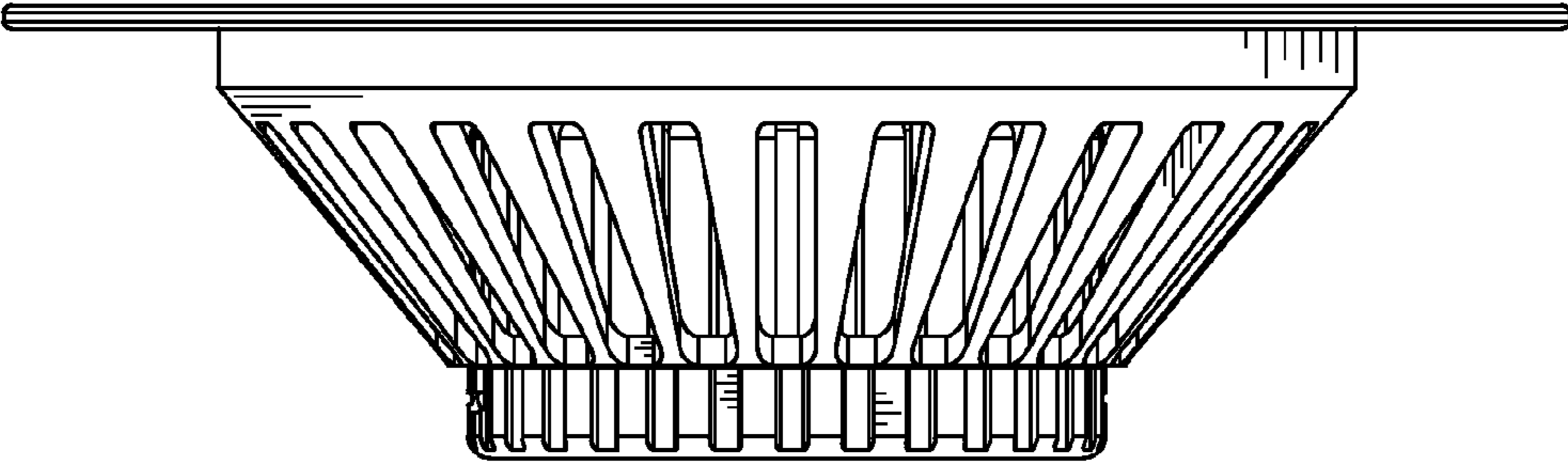


FIG. 2

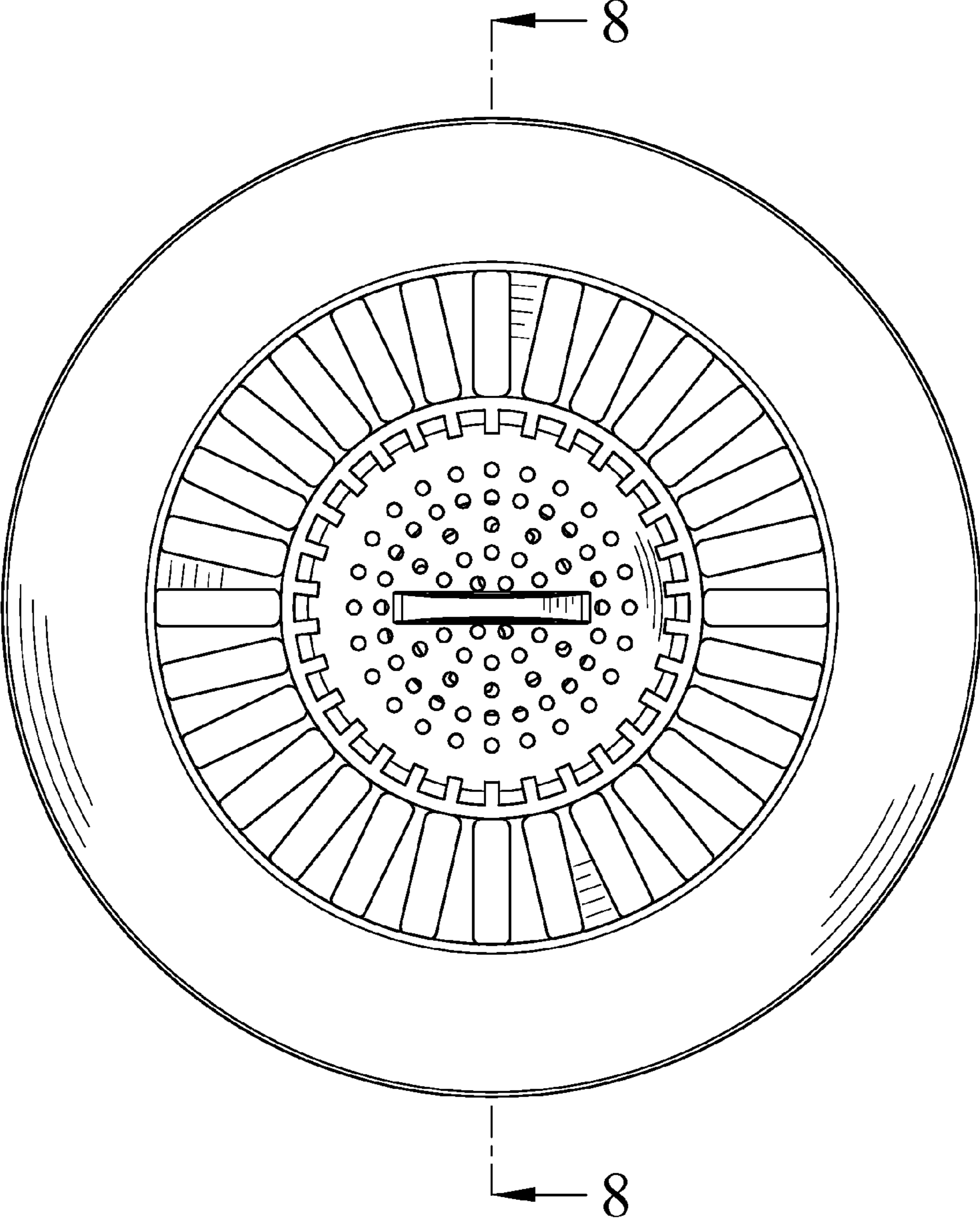


FIG. 3

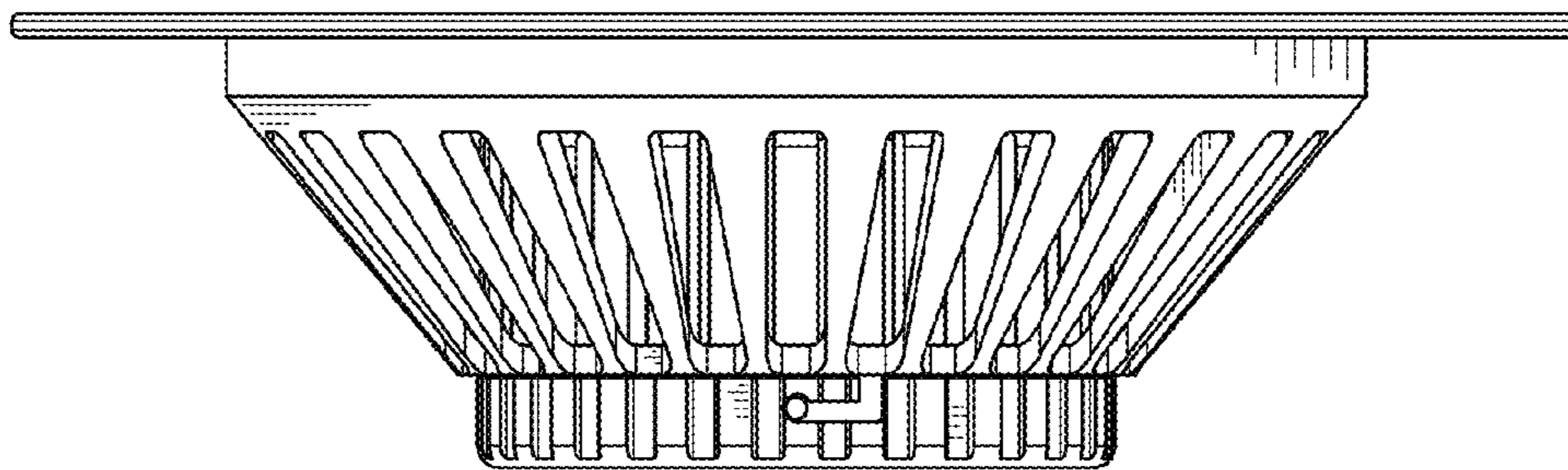


FIG. 4

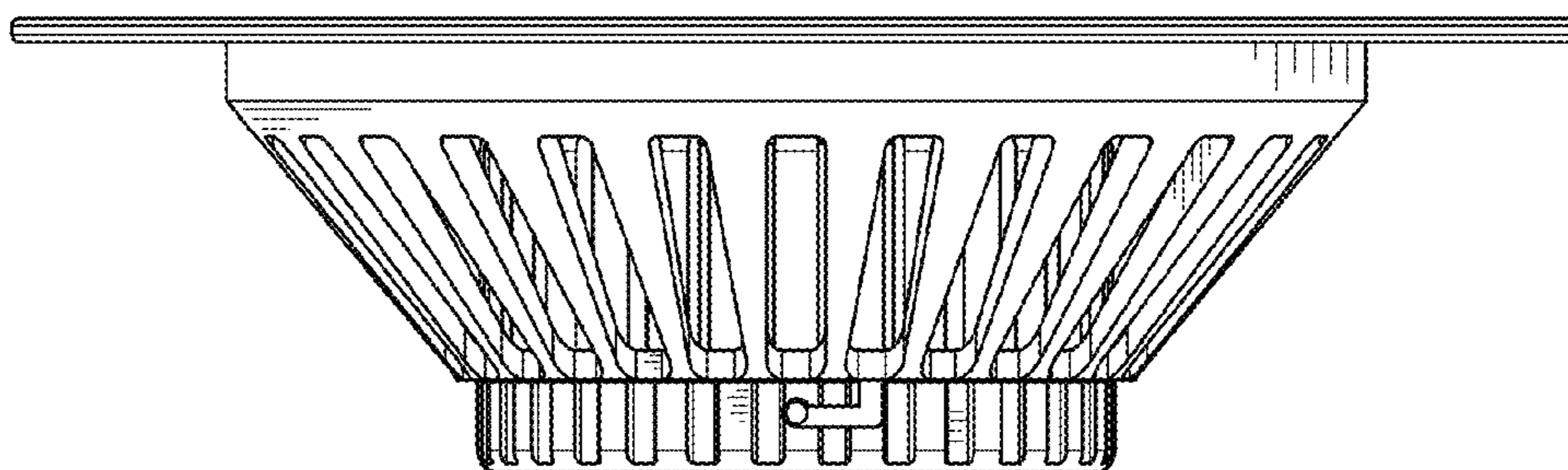


FIG. 5

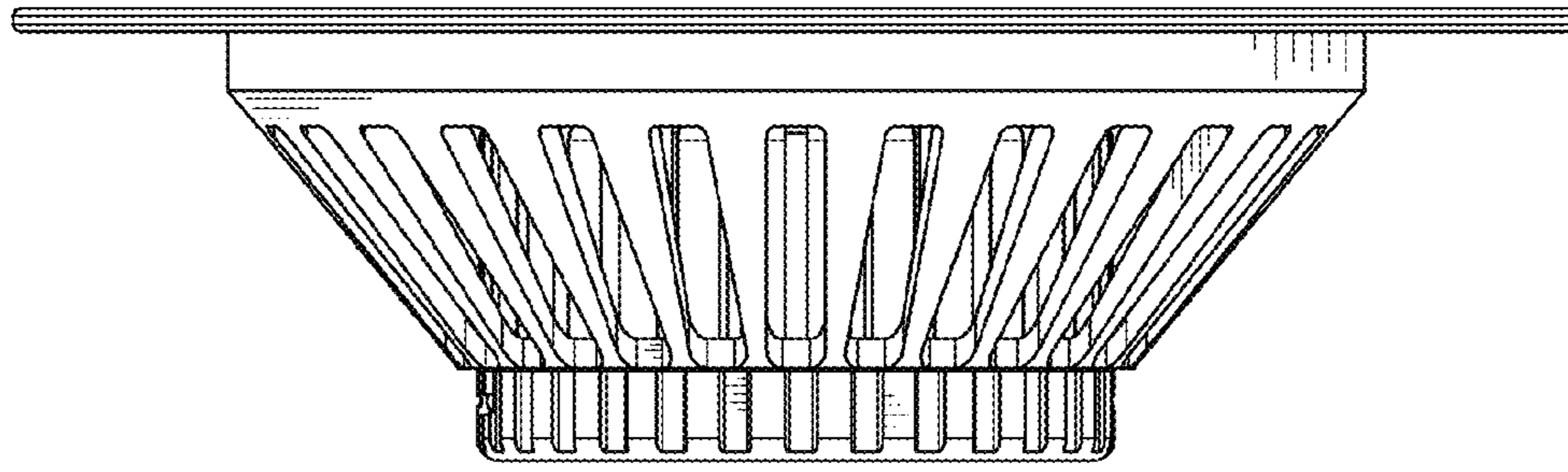


FIG. 6

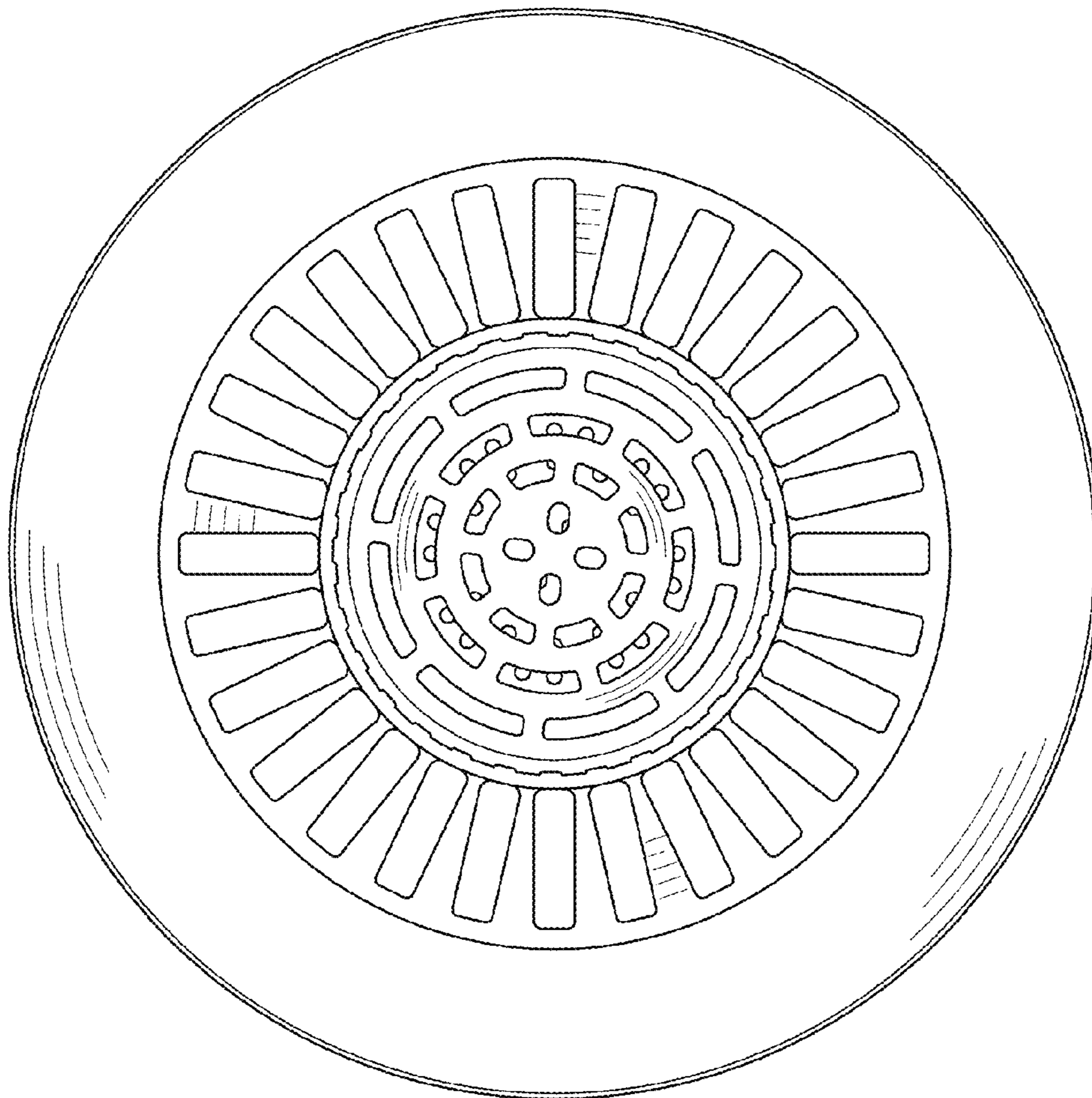


FIG. 7

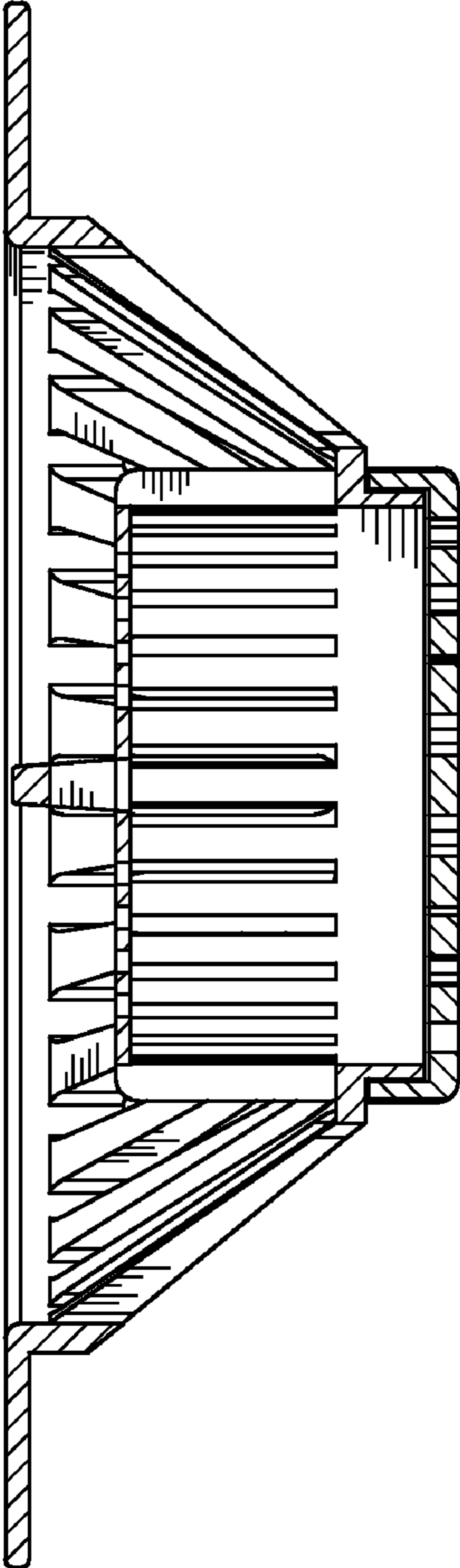


FIG. 8