



US00D673244S

(12) **United States Design Patent**
Magargal et al.

(10) **Patent No.:** **US D673,244 S**

(45) **Date of Patent:** **** Dec. 25, 2012**

(54) **MOLDED RISER CAP**

(75) Inventors: **John R. Magargal**, Souderton, PA (US);
Gary A. Leigh, Kennett Square, PA (US)

(73) Assignee: **CertainTeed Corporation**, Valley Forge,
PA (US)

(**) Term: **14 Years**

(21) Appl. No.: **29/382,099**

(22) Filed: **Dec. 29, 2010**

(51) **LOC (9) Cl.** **23-01**

(52) **U.S. Cl.** **D23/260**

(58) **Field of Classification Search** D23/260-261;
285/133.11; 239/203, 204, 205, 206, 200
See application file for complete search history.

(56) **References Cited**

U.S. PATENT DOCUMENTS

4,234,125	A	11/1980	Lieding	
4,787,558	A *	11/1988	Sexton et al.	239/205
D350,816	S *	9/1994	Florence	D23/260
5,511,826	A	4/1996	Clare et al.	
6,155,493	A *	12/2000	Kearby et al.	239/205
6,234,411	B1 *	5/2001	Walker et al.	239/289
6,263,912	B1 *	7/2001	Brown et al.	137/519.5
6,302,445	B1	10/2001	Kugele et al.	
6,648,377	B2	11/2003	Marandi	
7,017,831	B2	3/2006	Santiago et al.	
7,021,392	B2	4/2006	Bentzien et al.	
7,261,247	B2 *	8/2007	Yeh et al.	239/237
7,472,840	B2 *	1/2009	Gregory	239/289
7,600,699	B2	10/2009	Kah, Jr. et al.	
7,644,870	B2 *	1/2010	Alexander et al.	239/1
7,686,236	B2 *	3/2010	Alexander	239/206
7,850,094	B2 *	12/2010	Richmond et al.	239/206

8,162,235	B2 *	4/2012	McAfee	239/206
2003/0155433	A1 *	8/2003	Gregory	239/203
2005/0023375	A1 *	2/2005	Tanczos	239/288
2005/0194464	A1 *	9/2005	Bruninga	239/200
2006/0071098	A1	4/2006	McCormick et al.	
2008/0142618	A1 *	6/2008	Smith et al.	239/240
2008/0230628	A1 *	9/2008	Alexander	239/205
2010/0176217	A1 *	7/2010	Richmond et al.	239/205
2010/0294854	A1 *	11/2010	McAfee et al.	239/204

OTHER PUBLICATIONS

“CertainTeed: Agricultural Irrigation Piping Systems, Certa-Set, Certa-Lok, and Kwik-Latch” CertainTeed Corporation, Valley Forge, PA, Jan. 2009.
Notice of Copending U.S. Appl. No. 12/977,307, filed Dec. 23, 2010.

* cited by examiner

Primary Examiner — Eric Goodman

(74) *Attorney, Agent, or Firm* — Abel Law Group LLP;
Alexander H. Plache

(57) **CLAIM**

The ornamental design for a molded riser cap, as shown and described.

DESCRIPTION

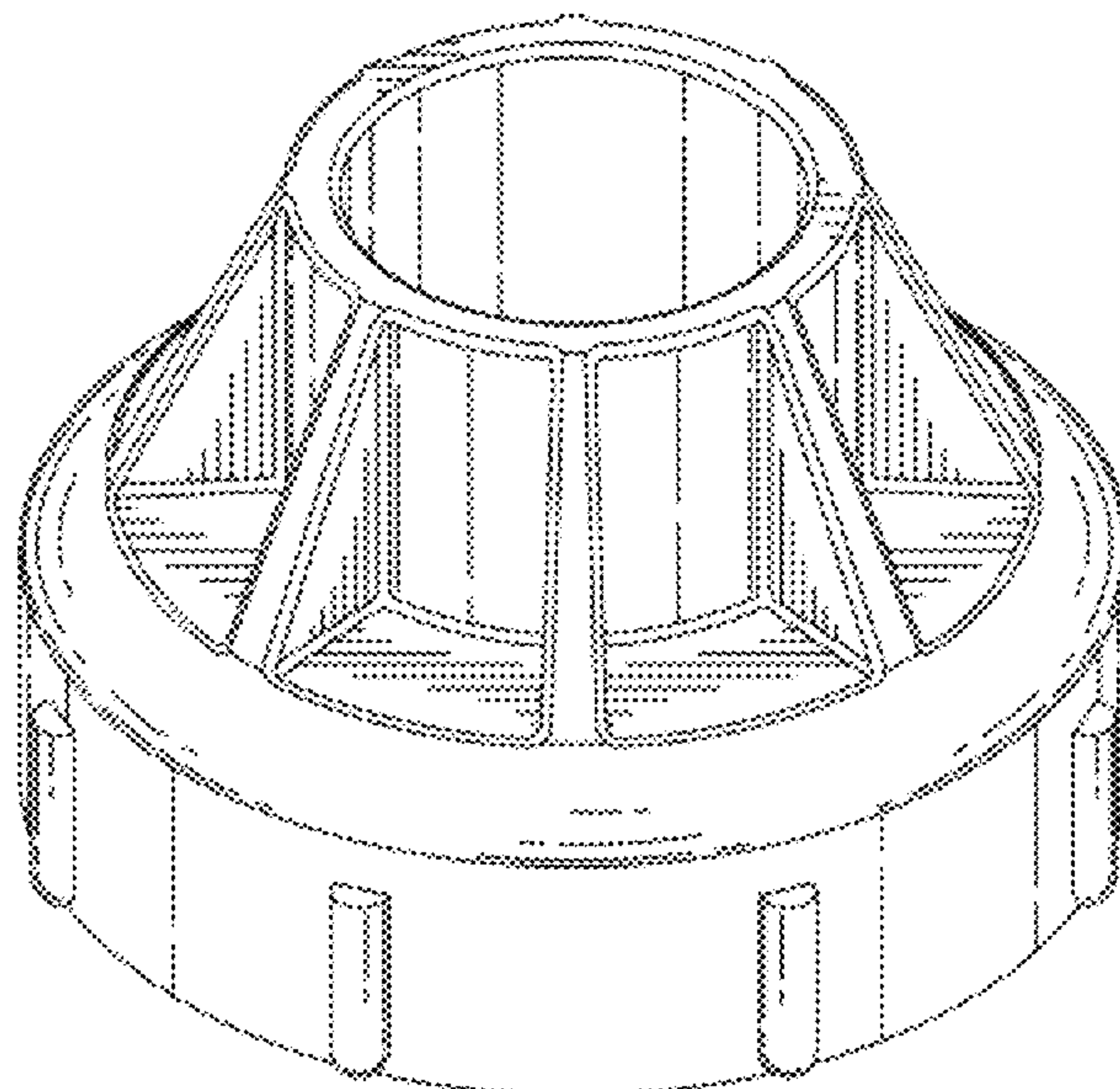
FIG. 1 is a perspective view of a molded riser cap according to the present invention.

FIG. 2 is a top view of the molded riser cap of FIG. 1.

FIG. 3 is a bottom view of the molded riser cap of FIG. 1; and, FIG. 4 is a side elevation view of the molded riser cap of FIG. 1.

The portions shown in broken line are not claimed.

1 Claim, 4 Drawing Sheets



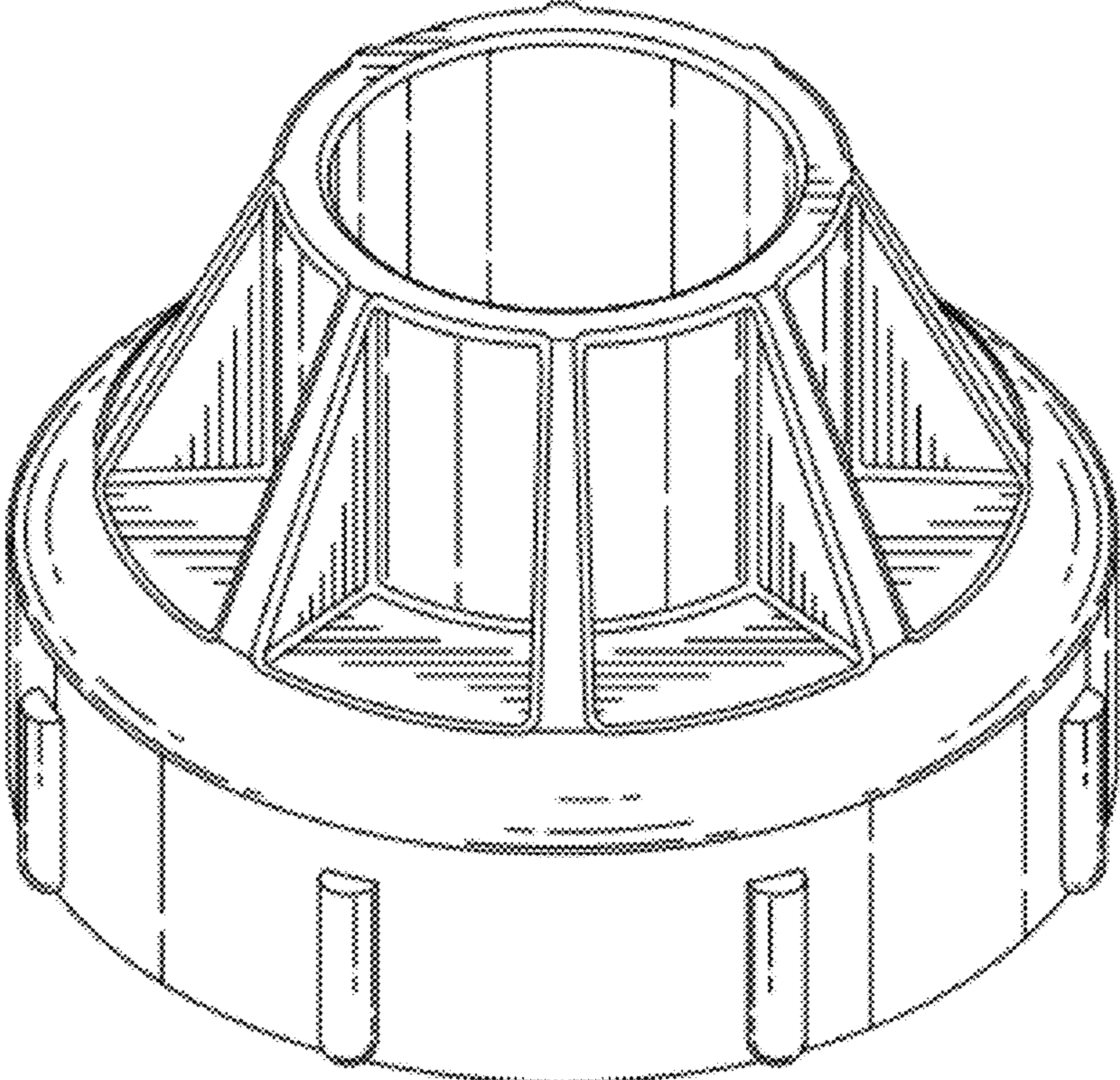


FIG. 1

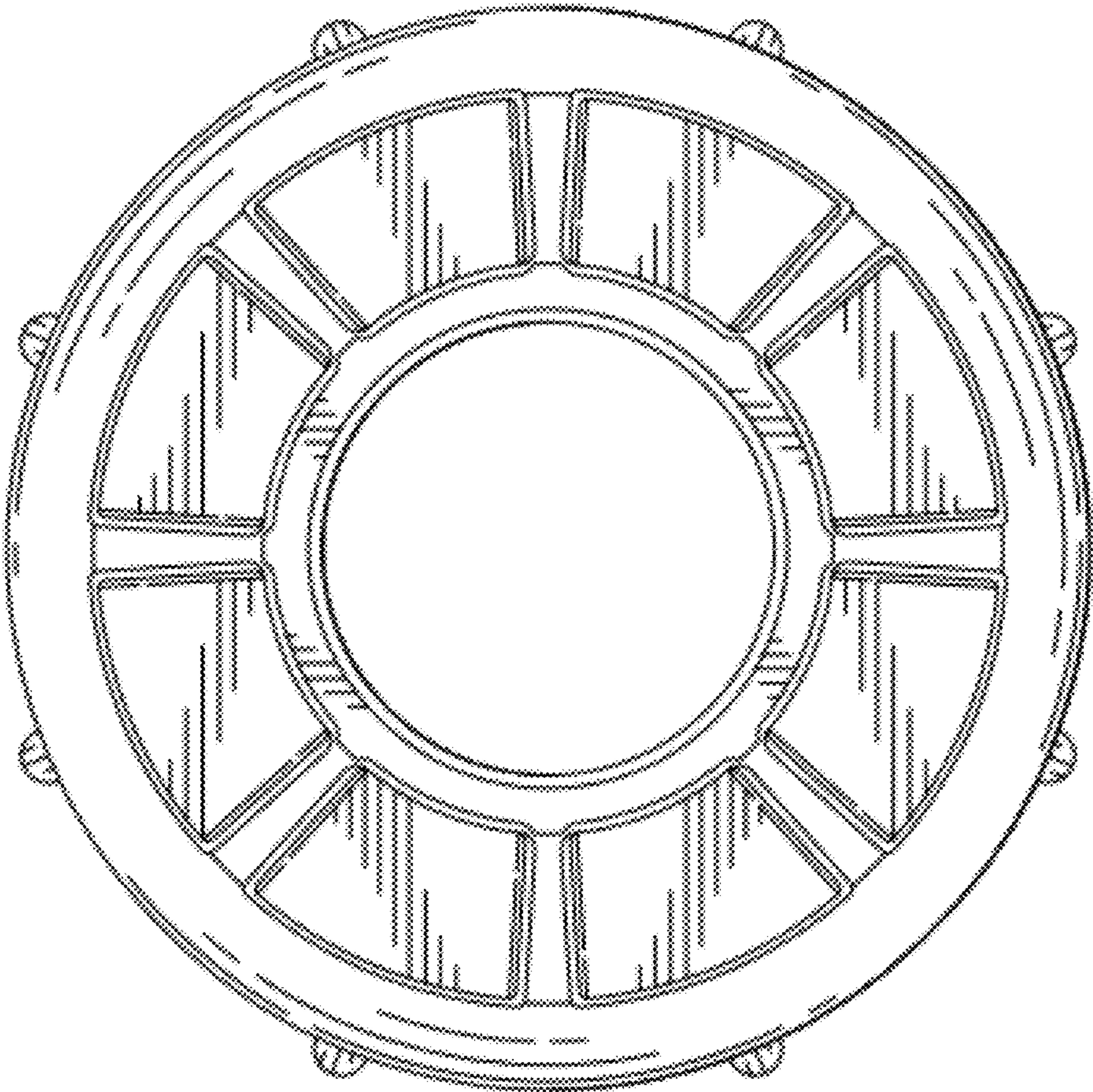


FIG. 2

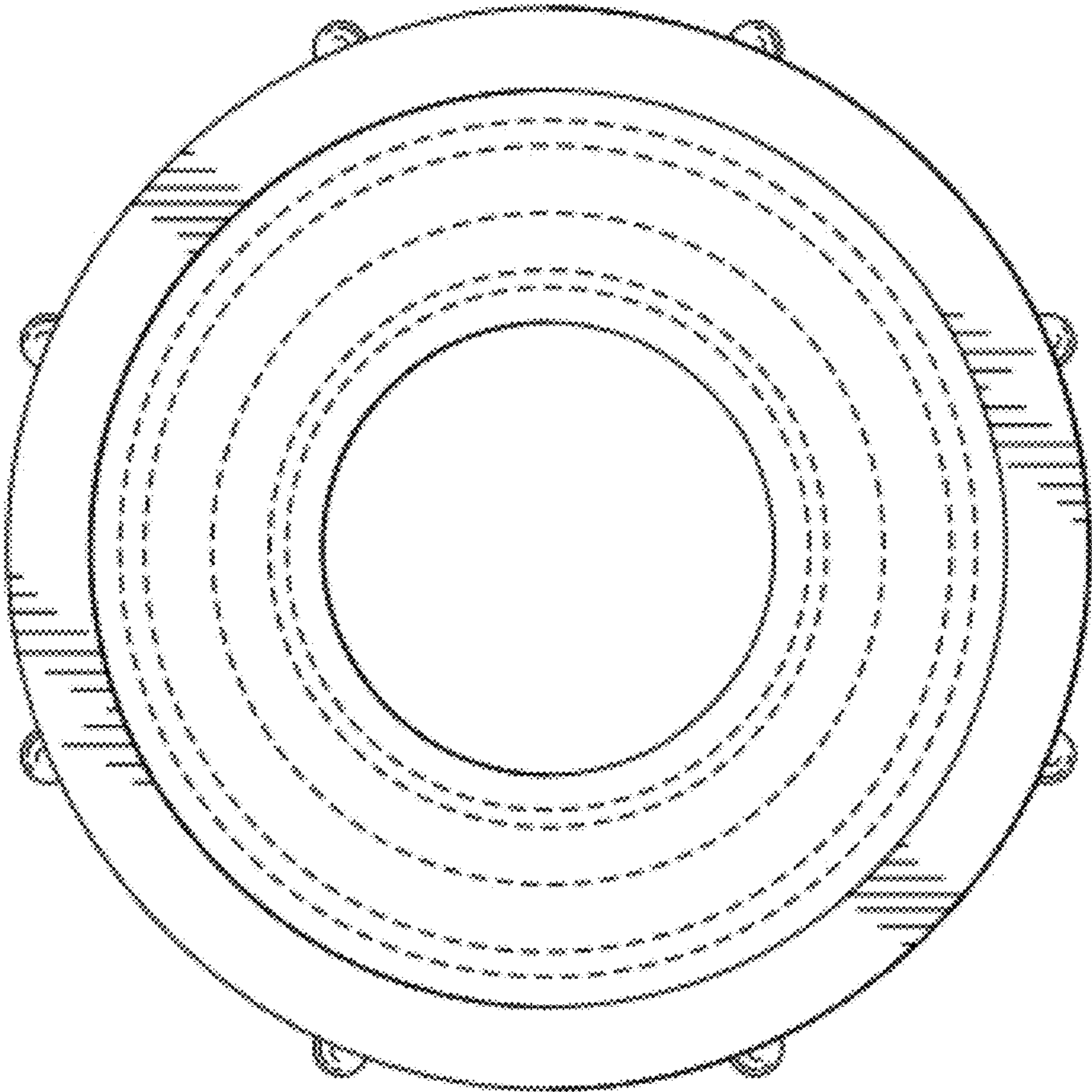


FIG. 3

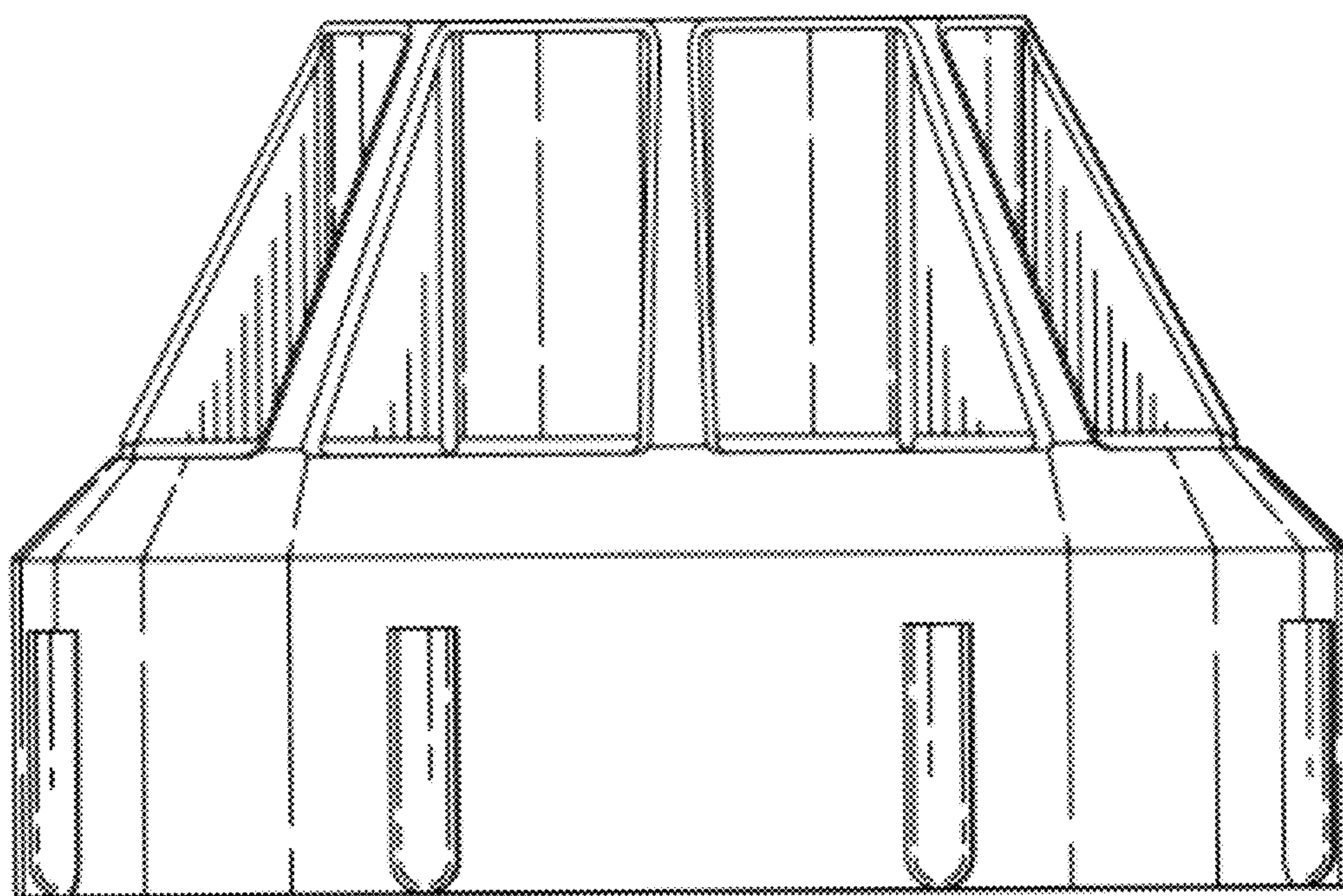


FIG. 4