



US00D673238S

(12) **United States Design Patent**
Siddle et al.

(10) **Patent No.:** **US D673,238 S**
(45) **Date of Patent:** **** Dec. 25, 2012**

(54) **HAND GRIP FOR A FIREARM**

(75) Inventors: **Bruce K. Siddle**, Millstadt, IL (US);
Kevin Siddle, Millstadt, IL (US)

(73) Assignee: **Double Nickel Holdings, LLC**,
Millstadt, IL (US)

(**) Term: **14 Years**

(21) Appl. No.: **29/399,590**

(22) Filed: **Aug. 16, 2011**

(51) **LOC (9) Cl.** **22-01**

(52) **U.S. Cl.** **D22/108**

(58) **Field of Classification Search** D22/100,
D22/108, 199; 42/71.01-74; D21/573-575;
D8/68

See application file for complete search history.

(56) **References Cited**

U.S. PATENT DOCUMENTS

4,771,562	A *	9/1988	Ruger	42/71.02
D344,124	S *	2/1994	Cupp	D22/108
5,406,731	A *	4/1995	Stevens	42/71.02
D430,916	S *	9/2000	Bubits	D22/104
D562,931	S *	2/2008	Szabo	D22/108

D599,430	S *	9/2009	Siddle et al.	D22/108
2007/0180752	A1 *	8/2007	Houde-Walter	42/114
2009/0282718	A1 *	11/2009	Bartley	42/75.03

* cited by examiner

Primary Examiner — Michael A Pratt

(74) *Attorney, Agent, or Firm* — Thompson Coburn LLP

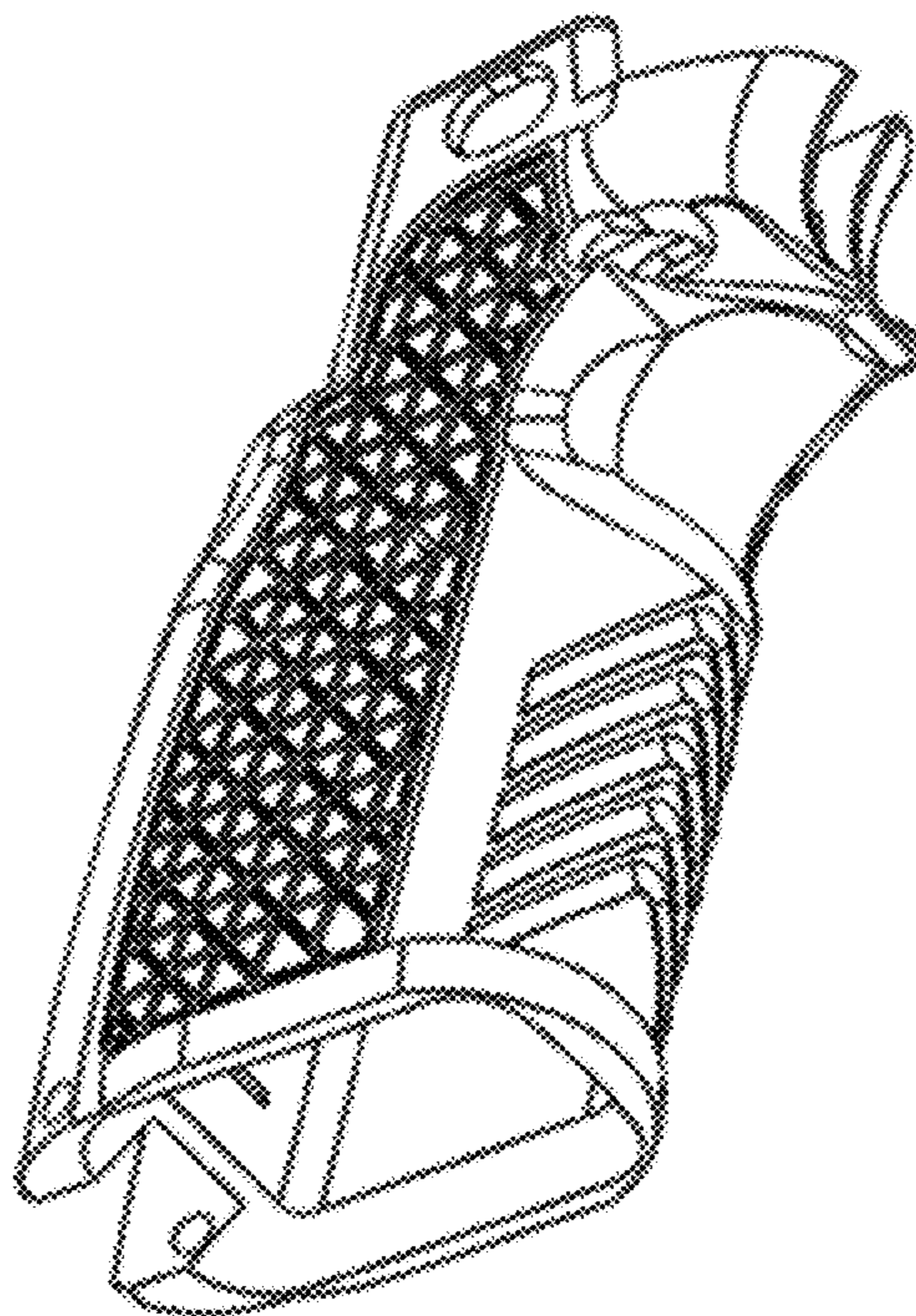
(57) **CLAIM**

An ornamental design for a hand grip for a firearm, as shown and described.

DESCRIPTION

FIG. 1 is a bottom perspective view of a hand grip for a firearm showing our new design;
 FIG. 2 is another bottom perspective view of the hand grip of FIG. 1;
 FIG. 3 is a top perspective view of the hand grip of FIG. 1;
 FIG. 4 is an alternate top perspective view of the hand grip of FIG. 1;
 FIG. 5 is a top view of the hand grip of FIG. 1;
 FIG. 6 is a side view of the hand grip of FIG. 1;
 FIG. 7 is a rear view of the hand grip of FIG. 1;
 FIG. 8 is an alternate side view of the hand grip of FIG. 1;
 FIG. 9 is a front view of the hand grip of FIG. 1; and,
 FIG. 10 is a bottom view of the hand grip of FIG. 1.

1 Claim, 4 Drawing Sheets



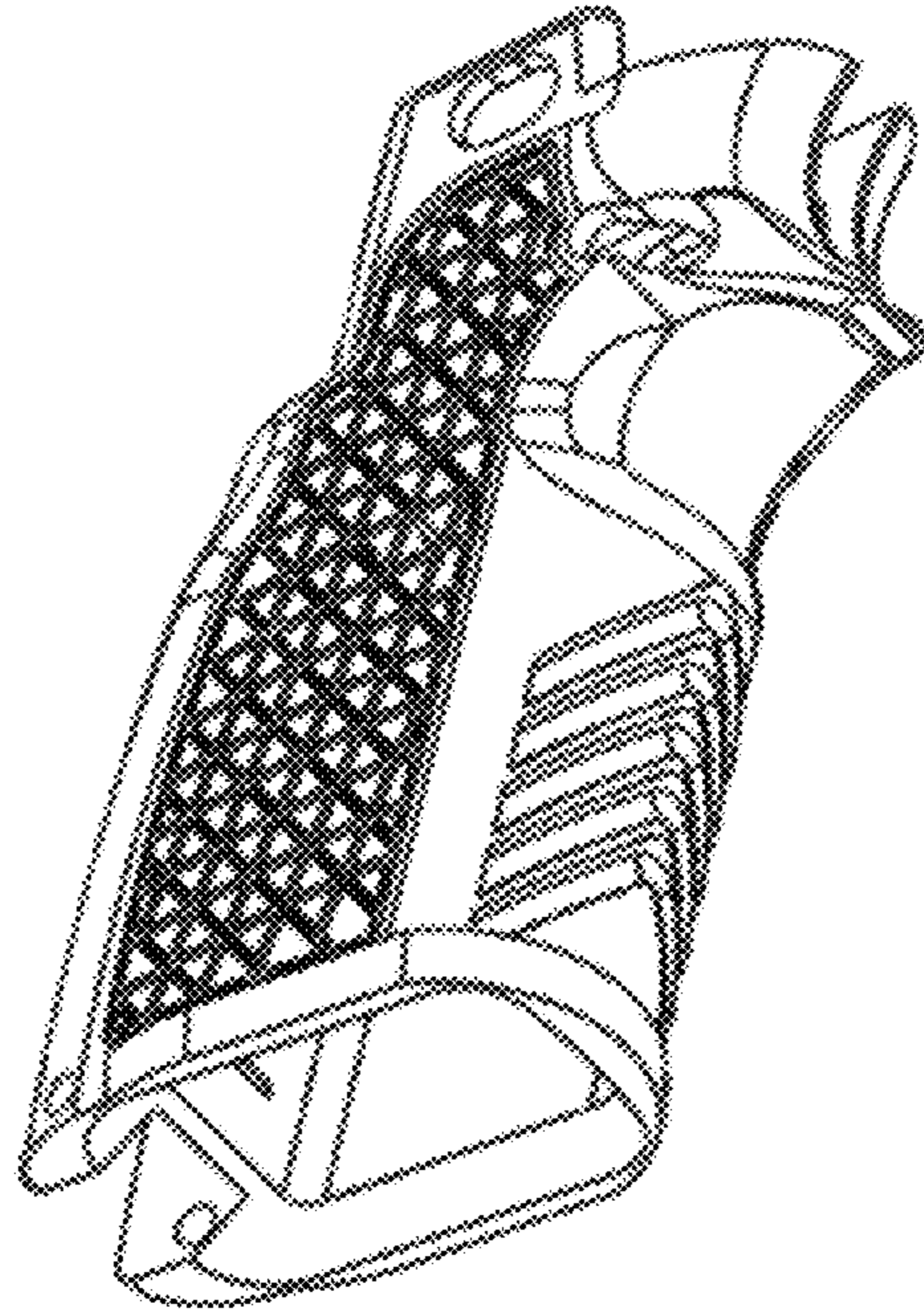


Fig. 1

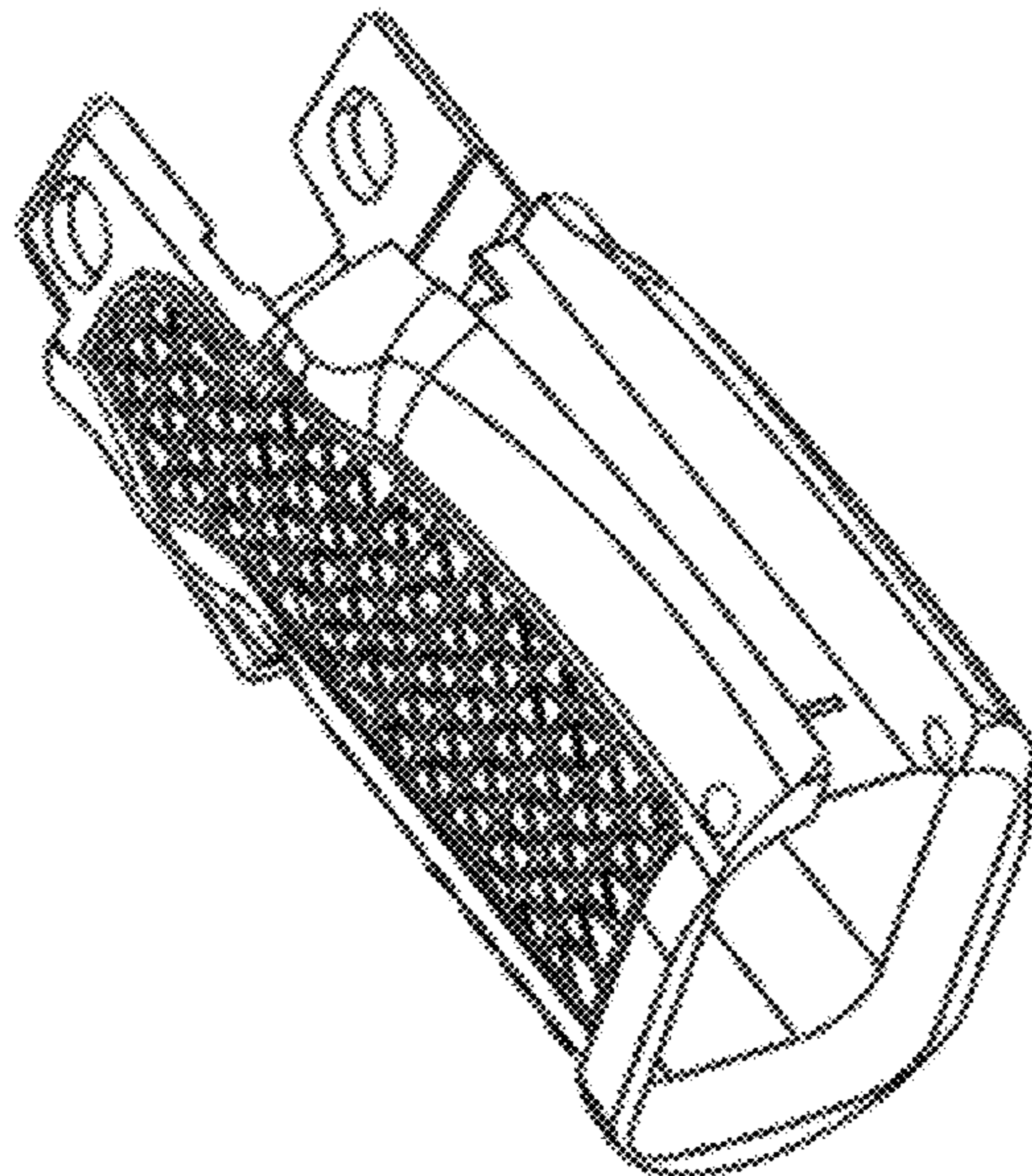


Fig. 2

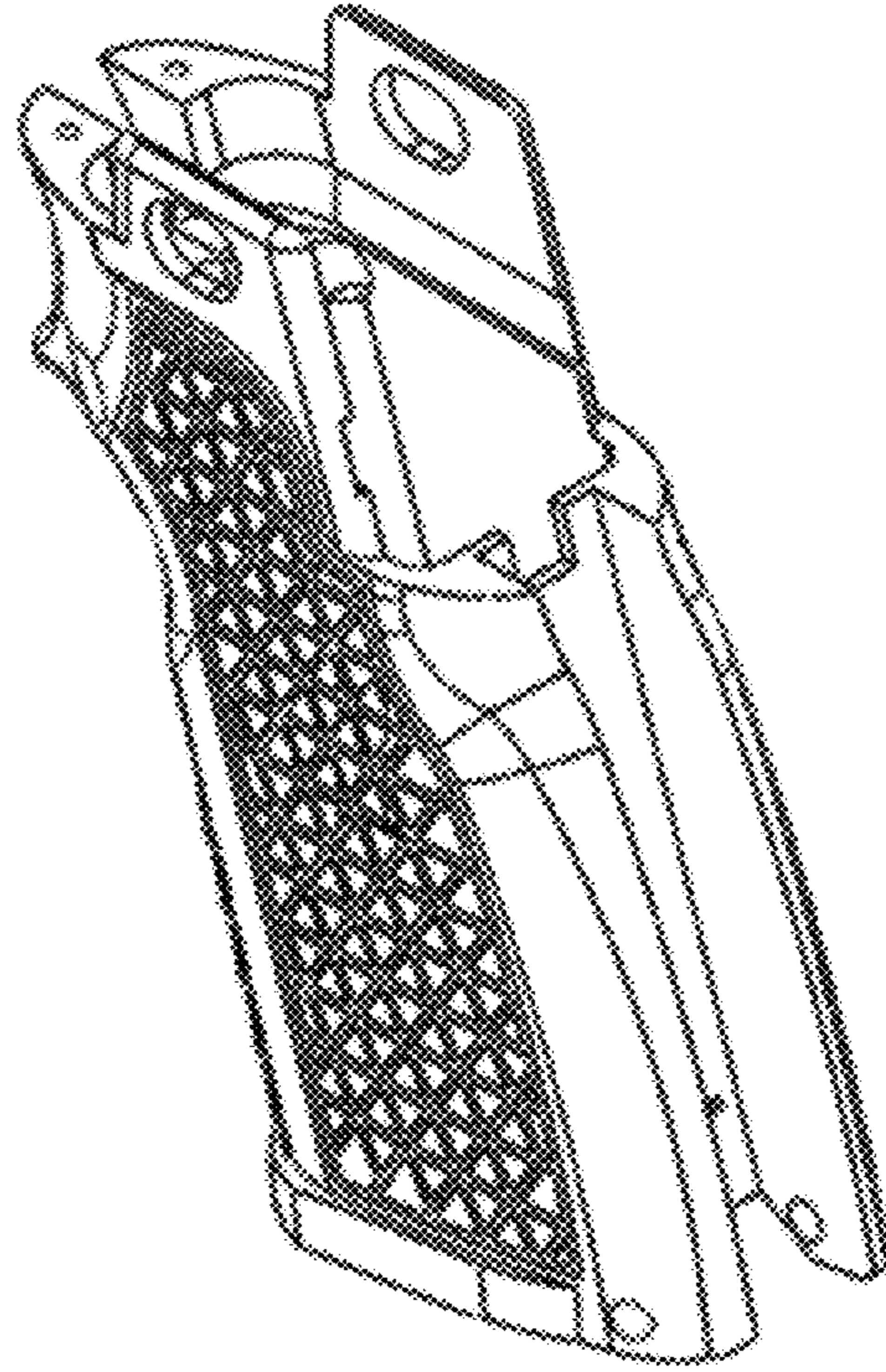


Fig. 3

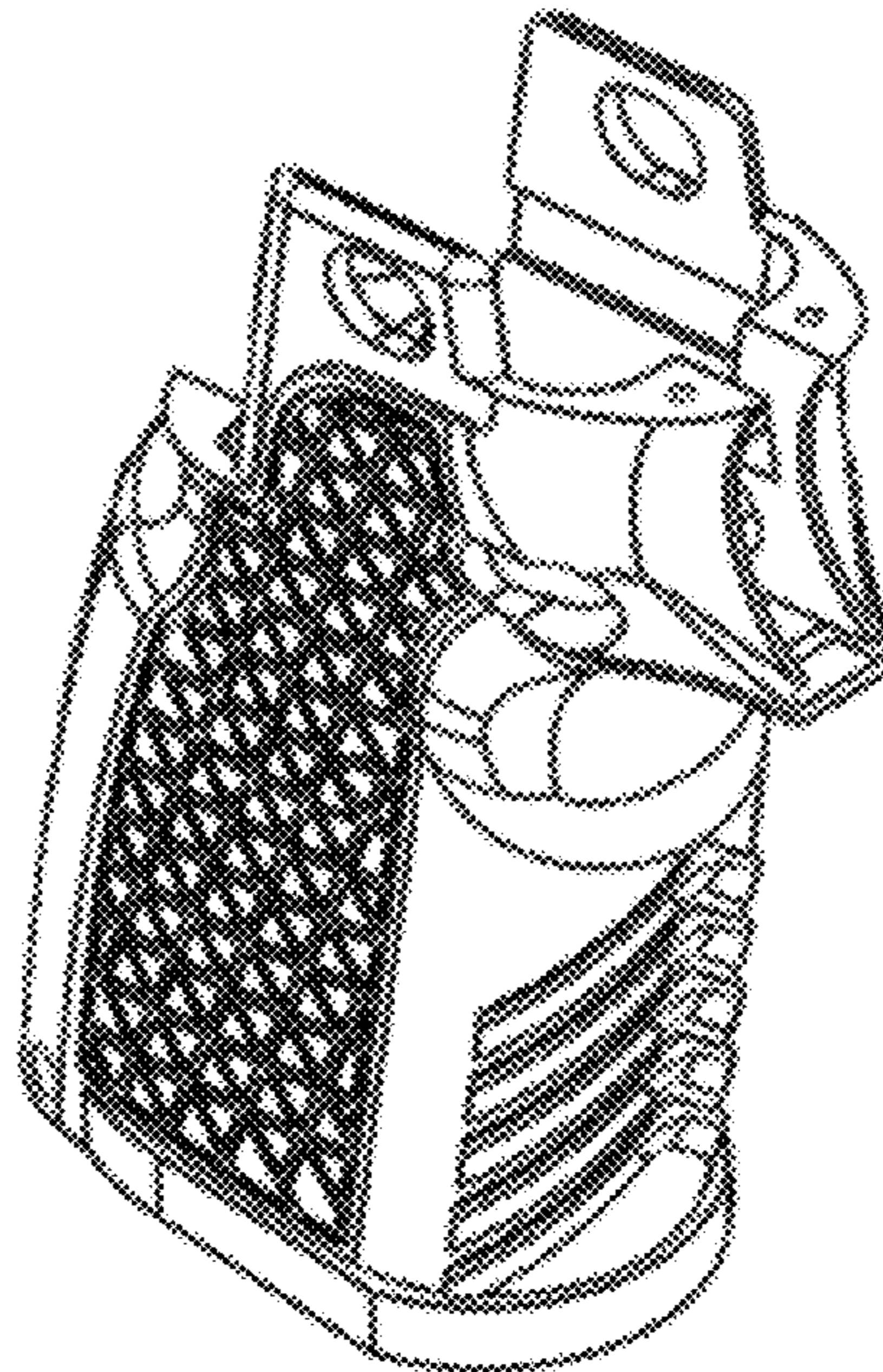


Fig. 4

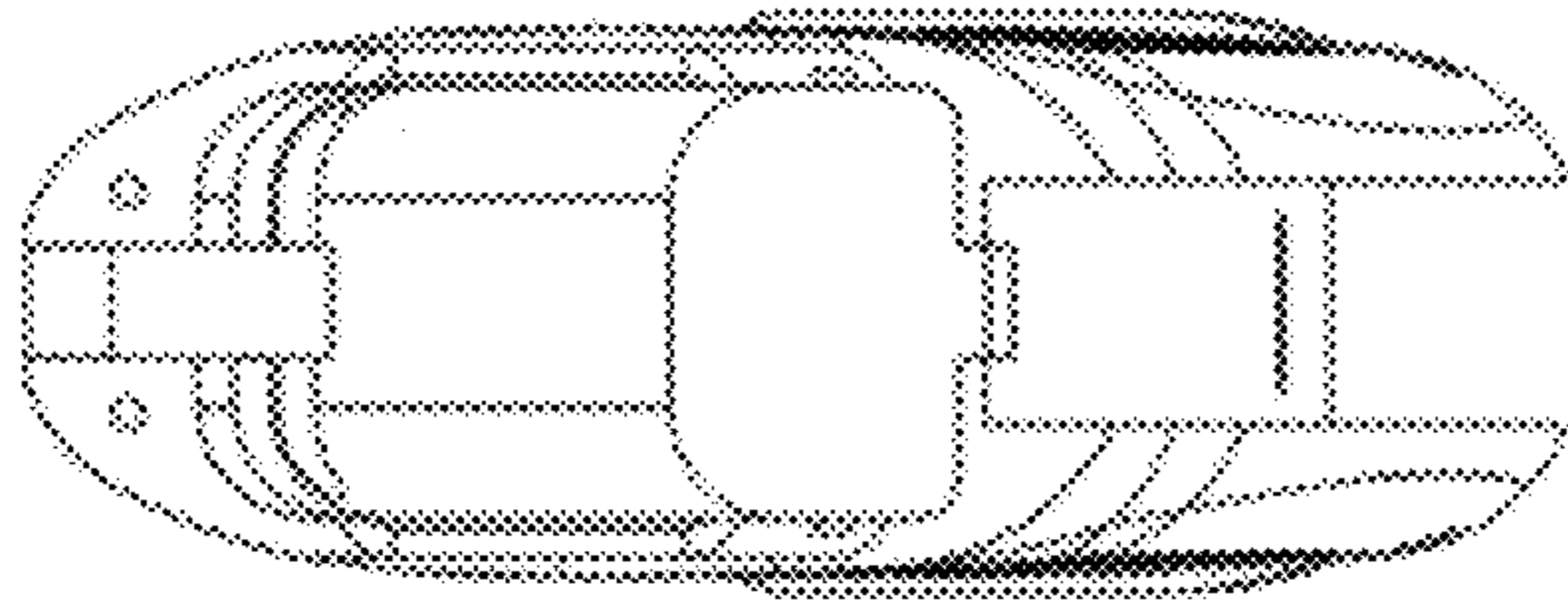


Fig. 5

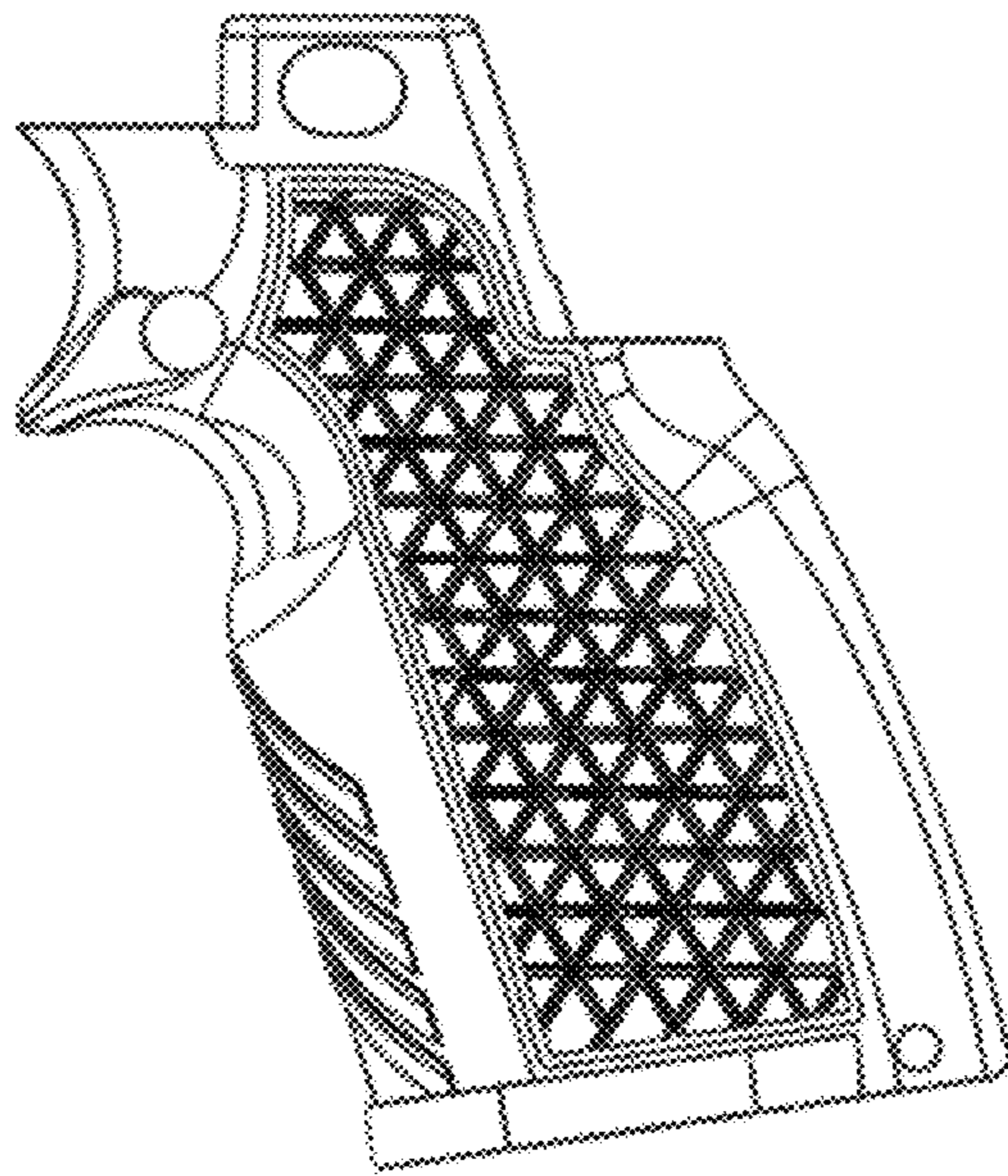


Fig. 6

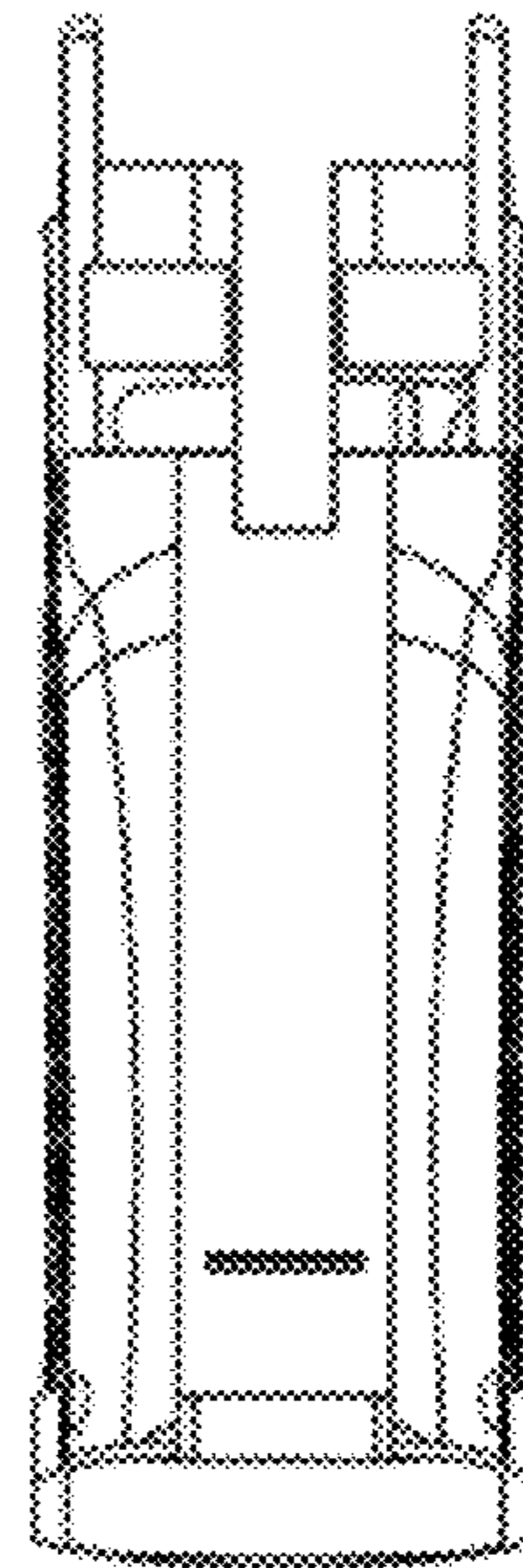


Fig. 7

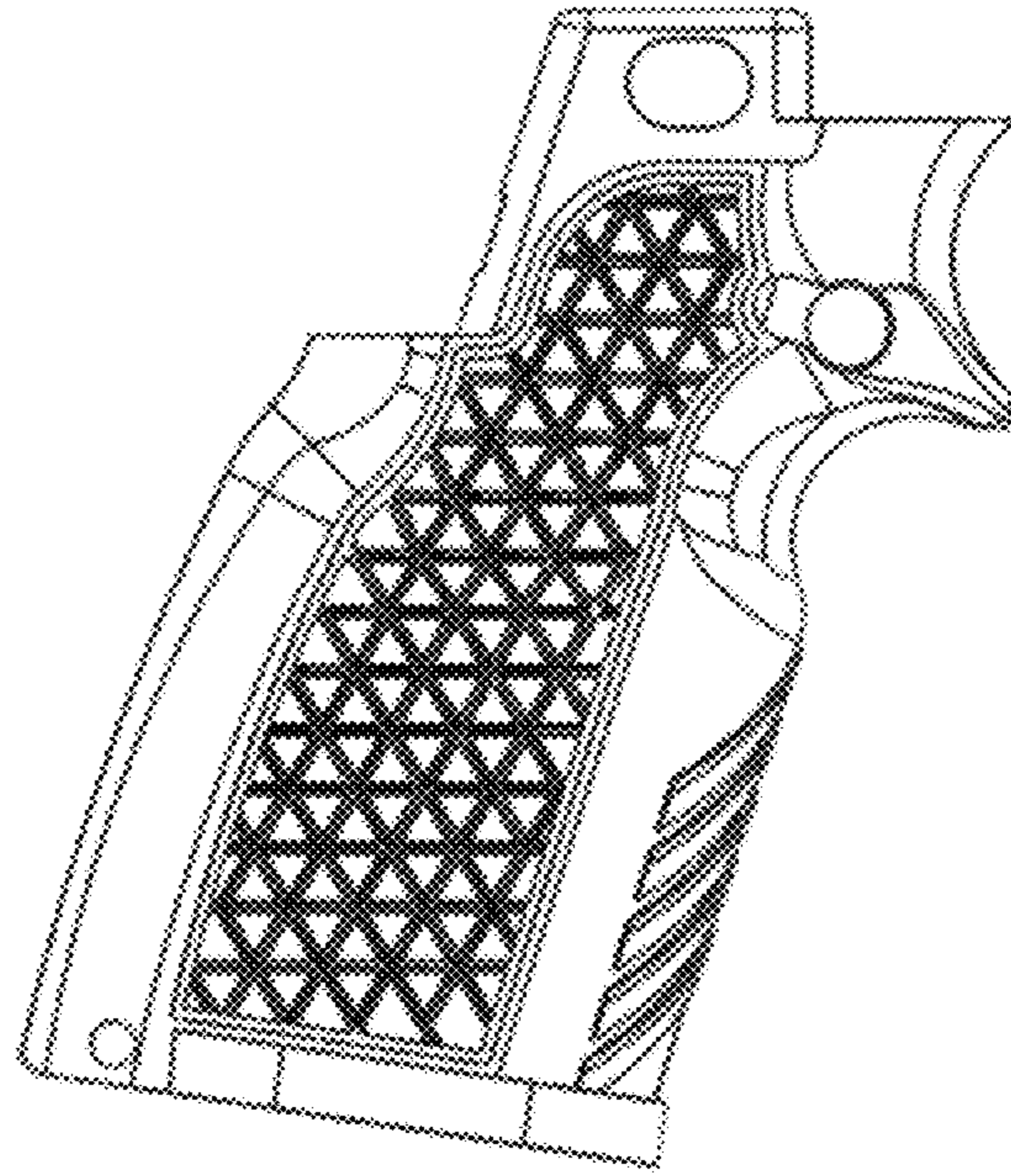


Fig. 8

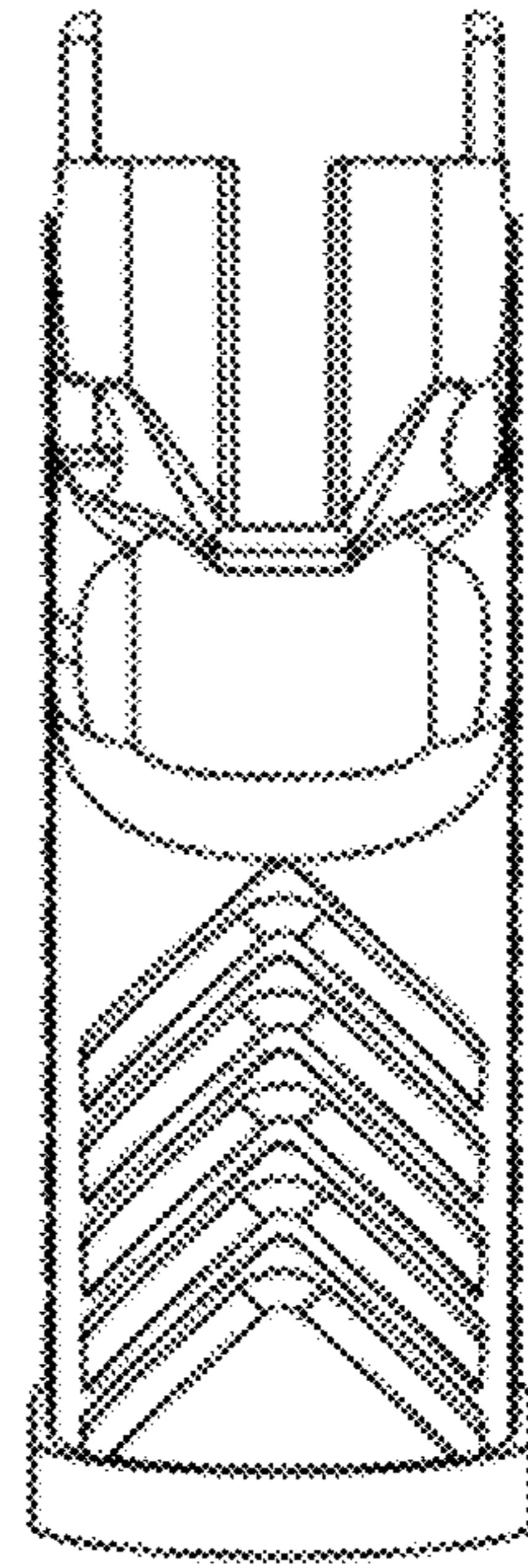


Fig. 9

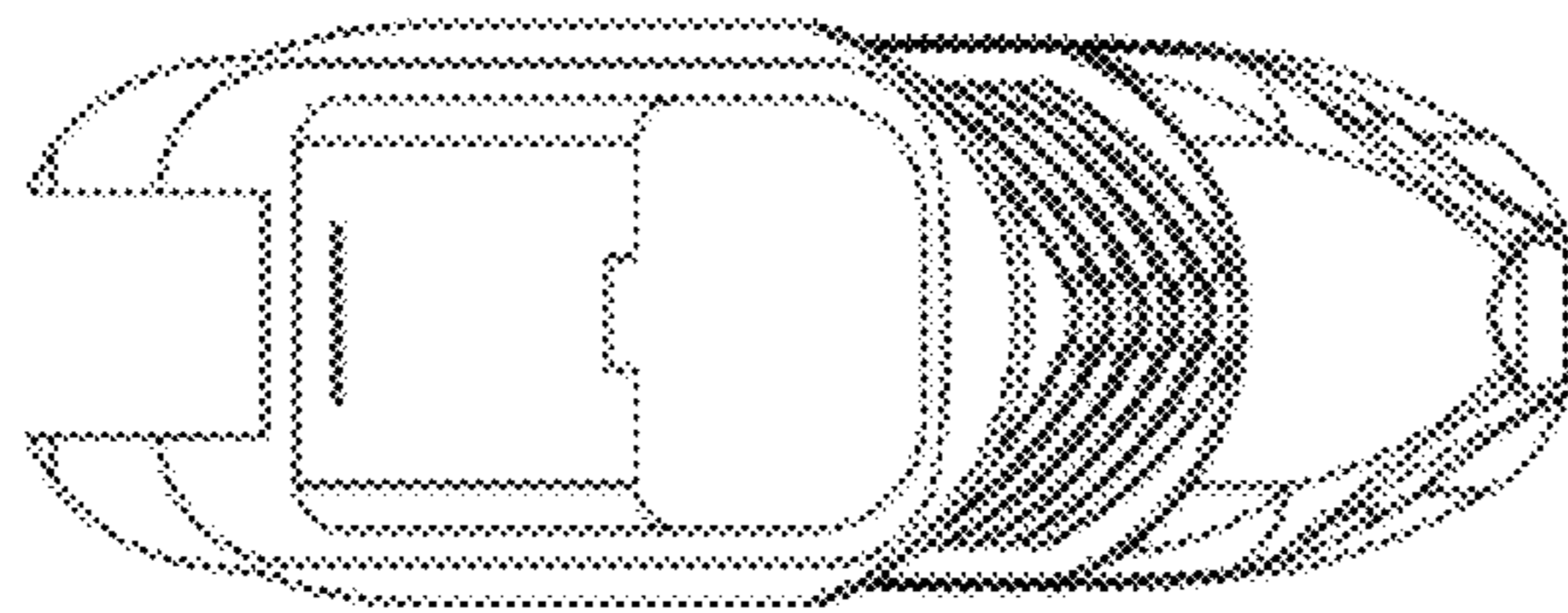


Fig. 10