

US00D673235S

(12) **United States Design Patent**  
**Lorenzana**

(10) **Patent No.:** **US D673,235 S**  
(45) **Date of Patent:** **\*\* Dec. 25, 2012**

(54) **GOLF TRAINING DEVICE**  
(76) Inventor: **Vance A. Lorenzana**, Oswego, IL (US)  
(\*\*) Term: **14 Years**  
(21) Appl. No.: **29/407,359**  
(22) Filed: **Nov. 28, 2011**  
(51) **LOC (9) Cl.** ..... **21-02**  
(52) **U.S. Cl.** ..... **D21/791**  
(58) **Field of Classification Search** ..... D21/789,  
D21/791; 473/219–222, 232–234, 257, 261  
See application file for complete search history.

6,004,220 A 12/1999 Razzano  
6,045,454 A 4/2000 Chu  
7,134,979 B2 11/2006 Edwards  
7,166,037 B2 1/2007 Carter  
D537,141 S \* 2/2007 Peterson ..... D21/791  
7,300,357 B2 11/2007 Breaker et al.  
7,347,790 B2 3/2008 Zimmerman  
D586,419 S 2/2009 Tonkin  
D607,076 S \* 12/2009 Hadley ..... D21/791  
D614,253 S \* 4/2010 Hadley ..... D21/791  
D635,632 S \* 4/2011 Rymniak ..... D21/791  
2003/0162603 A1 8/2003 Breaker et al.  
2006/0267273 A1 11/2006 Chen  
2007/0093308 A1 4/2007 Rice  
2009/0118030 A1 5/2009 Bernal-Silva et al.

\* cited by examiner

(56) **References Cited**

**U.S. PATENT DOCUMENTS**

715,795 A 12/1902 Haskell  
1,293,941 A 2/1919 Sargent  
1,790,762 A 2/1931 Page  
1,922,735 A 8/1933 Johnson  
2,264,802 A 12/1941 Kohl  
2,494,929 A 1/1950 Colaluca  
3,137,507 A 6/1964 Pickler  
3,312,472 A 4/1967 Kerr  
3,357,705 A 12/1967 Blanchard  
D220,769 S 5/1971 LaHue  
3,796,435 A 3/1974 Dale  
3,887,188 A 6/1975 Beauchamp et al.  
4,940,238 A 7/1990 Bradley  
5,228,696 A 7/1993 Gianferrara  
5,421,588 A 6/1995 Browne  
5,718,642 A 2/1998 Cushing  
5,759,109 A 6/1998 Martini  
6,001,026 A \* 12/1999 Breneman ..... 473/261

*Primary Examiner* — Mitchell Siegel

(74) *Attorney, Agent, or Firm* — Erickson Law Group, PC

(57) **CLAIM**

The ornamental design for a golf training device, as shown and described.

**DESCRIPTION**

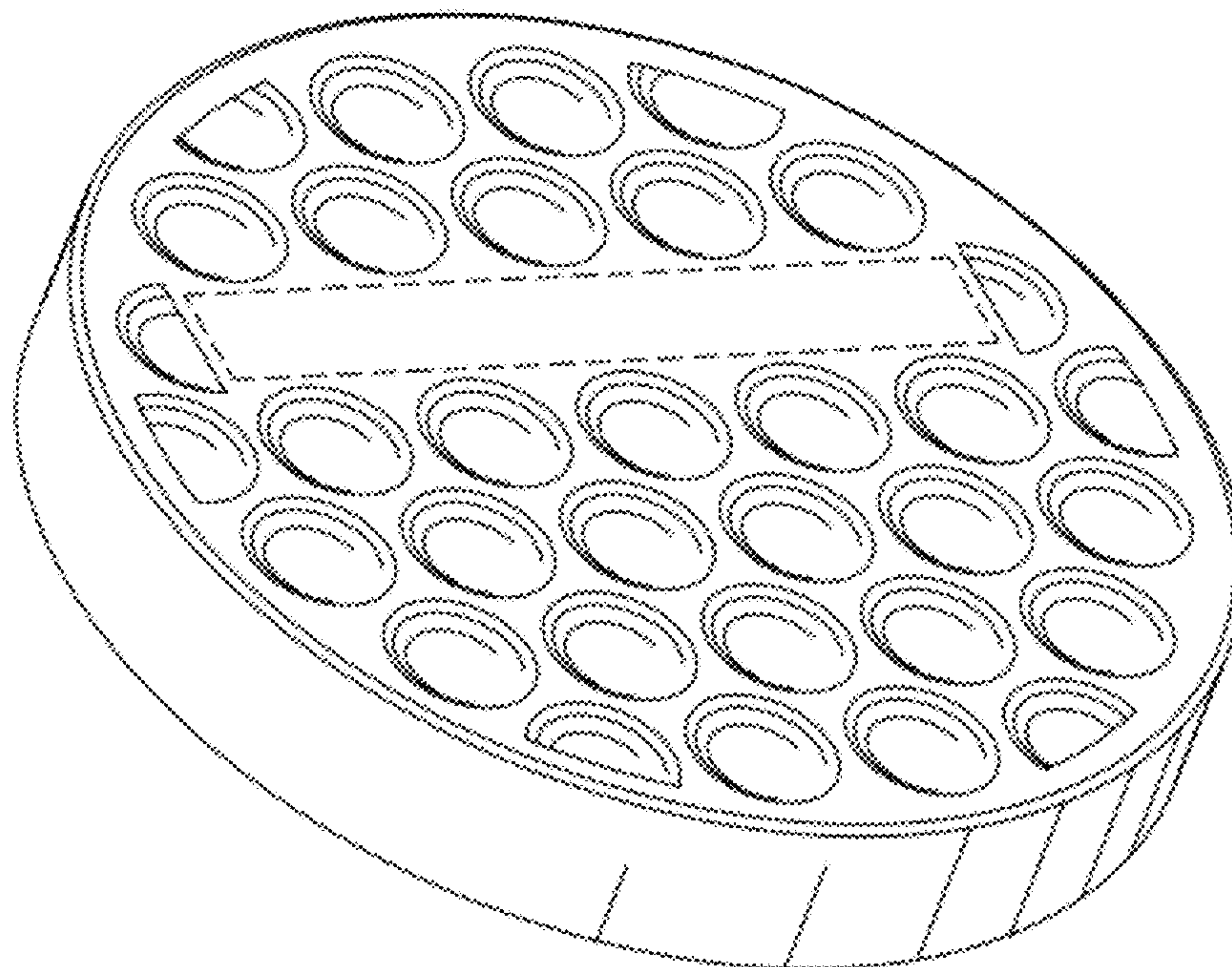
FIG. 1 is a perspective view of a golf training device of the invention.

FIG. 2 is a top view the golf training device of FIG. 1.

FIG. 3 is a side view of the golf training device of FIG. 1; and, FIG. 4 is a bottom view of the golf training device of FIG. 1.

The broken lines and the area within the broken lines are not part of the claimed design and are not intended to limit the claimed design.

**1 Claim, 4 Drawing Sheets**



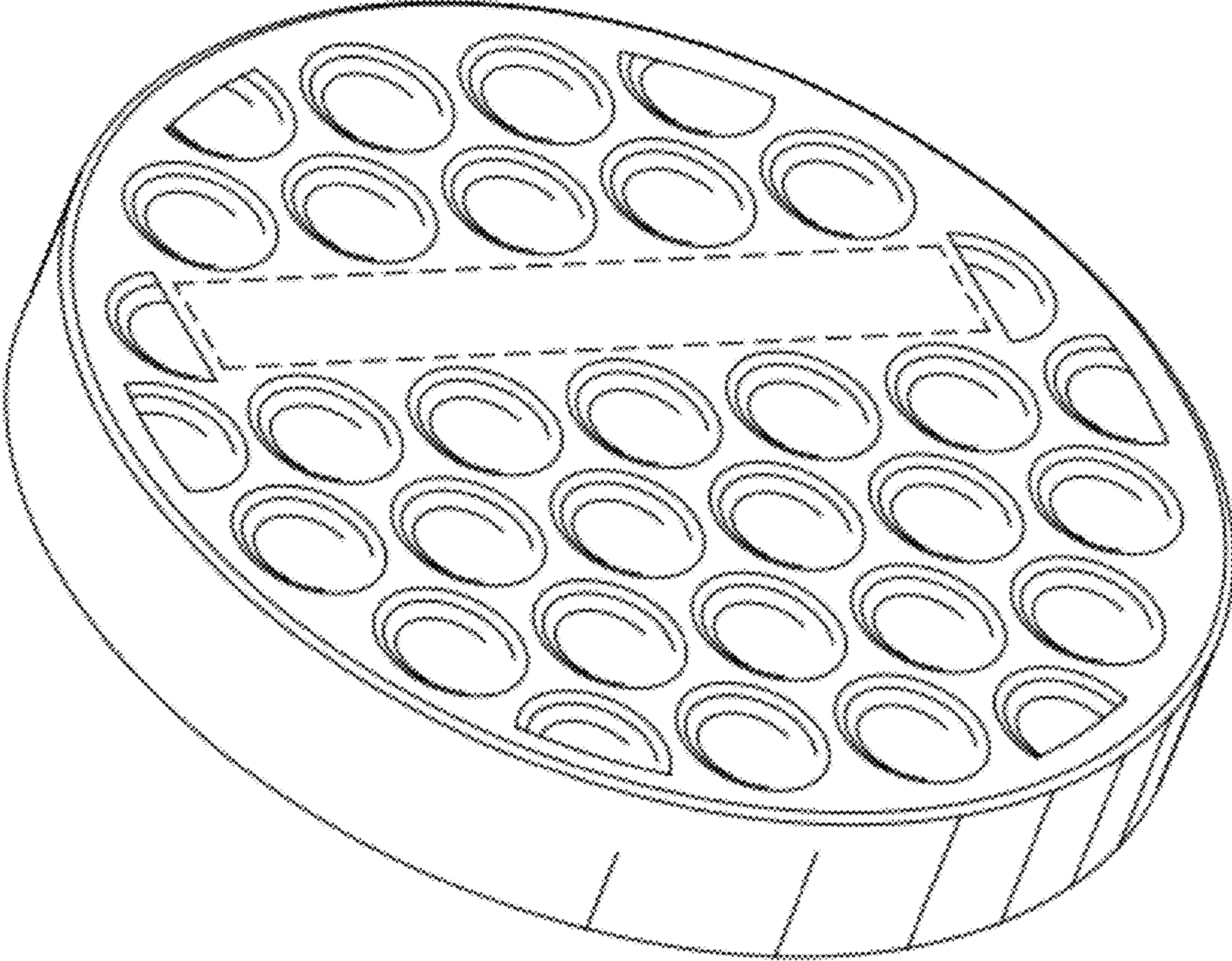


Fig. 1



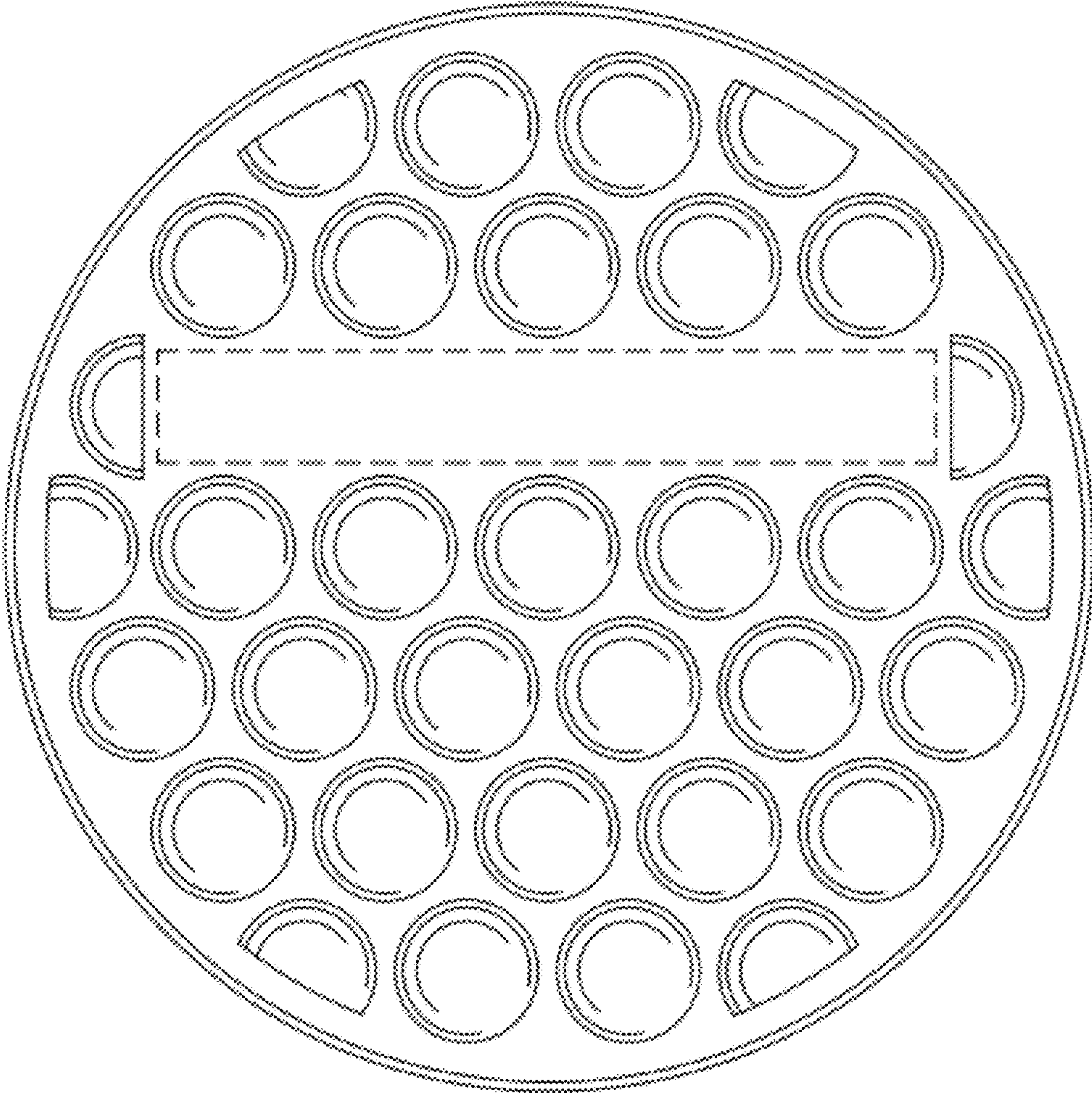


Fig. 2

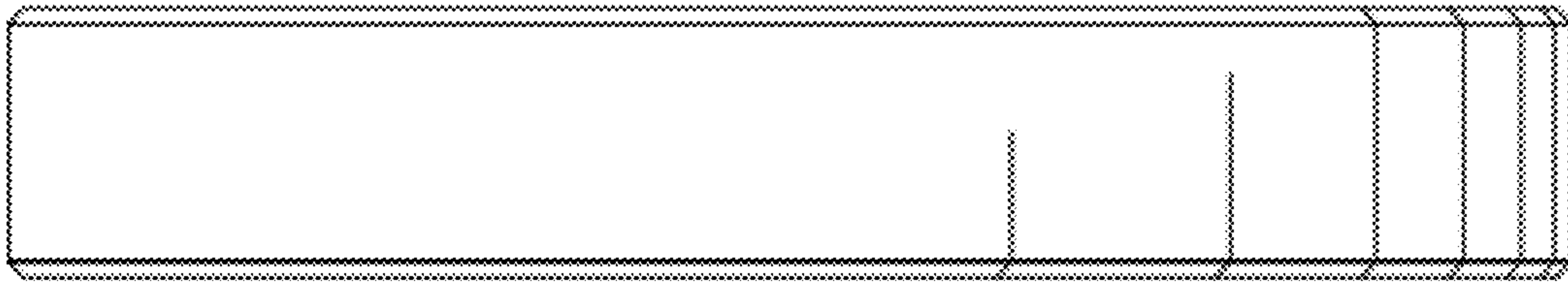


Fig. 3

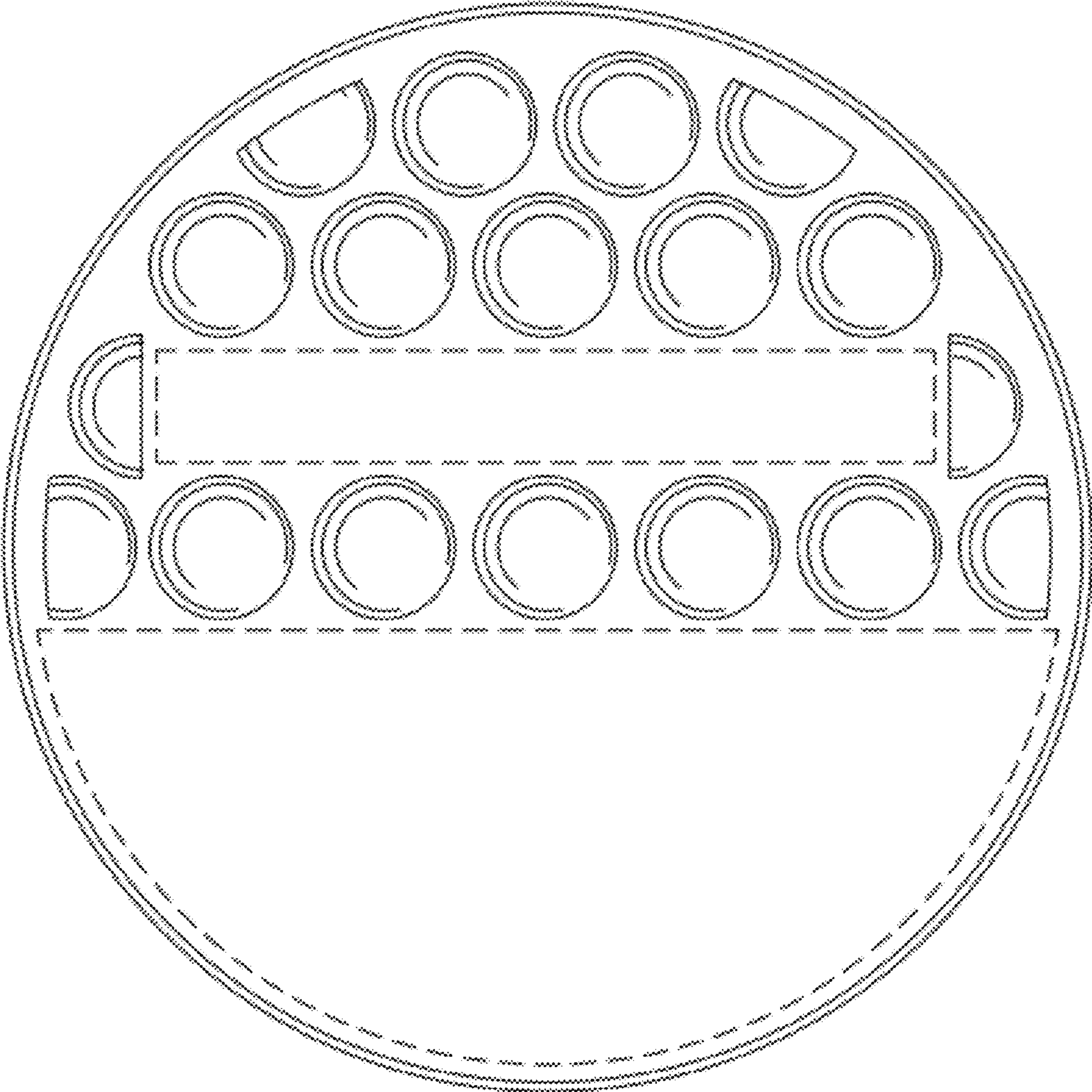


Fig. 4