



US00D673223S

(12) **United States Design Patent**
White

(10) **Patent No.:** **US D673,223 S**

(45) **Date of Patent:** **** Dec. 25, 2012**

(54) **SIGN SUPPORT**

(75) Inventor: **Paul White**, Libertyville, IL (US)

(73) Assignee: **K-International, Inc.**, Gurnee, IL (US)

(**) Term: **14 Years**

(21) Appl. No.: **29/387,593**

(22) Filed: **Mar. 15, 2011**

(51) **LOC (9) Cl.** **20-03**

(52) **U.S. Cl.** **D20/43**

(58) **Field of Classification Search** D20/10,
D20/19, 41, 43, 99; 40/642.01, 642.02, 647-655,
40/657, 658, 660, 661, 661.03, 661.05-661.07,
40/661.11; D8/373, 380, 382, 395
See application file for complete search history.

(56) **References Cited**

U.S. PATENT DOCUMENTS

D185,549 S * 6/1959 Hallock D25/119
(Continued)

Primary Examiner — Mary Ann Calabrese

(74) *Attorney, Agent, or Firm* — Schiff Hardin LLP

(57) **CLAIM**

The ornamental design for a sign support, as shown and described.

DESCRIPTION

FIG. 1 is a perspective view of a transparent sign support with broken lines showing the sign support mounted to a shelf post. FIG. 2 is a perspective view of the transparent sign support in an unassembled configuration as a single piece according to one embodiment.

FIG. 3 is a top view of the transparent sign support in the unassembled configuration as a single piece according to one embodiment.

FIG. 4 is a perspective view of the transparent sign support showing the end portion separated from the main body in a first assembled position of use.

FIG. 5 is a front view showing the first assembled position of the transparent sign support.

FIG. 6 is a top view showing the first assembled position of the transparent sign support.

FIG. 7 is a bottom view showing the first assembled position of the transparent sign support.

FIG. 8 is a left side view showing the first assembled position of the transparent sign support.

FIG. 9 is a right side view showing the first assembled position of the transparent sign support.

FIG. 10 is a back view showing the first assembled position of the transparent sign support.

FIG. 11 is a perspective view of the transparent sign support showing the end portion separated from the main body in a second assembled position of use.

FIG. 12 is a perspective view of the transparent sign support showing the end portion separated from the main body in a third assembled position of use.

FIG. 13 is a perspective view according to a second non-transparent embodiment of the sign support showing the end portion separated from the main body in a first assembled position of use.

FIG. 14 is a front view of the unassembled non-transparent sign support.

FIG. 15 is a top view showing the first assembled position of the non-transparent sign support.

FIG. 16 is a bottom view showing the first assembled position of the non-transparent sign support.

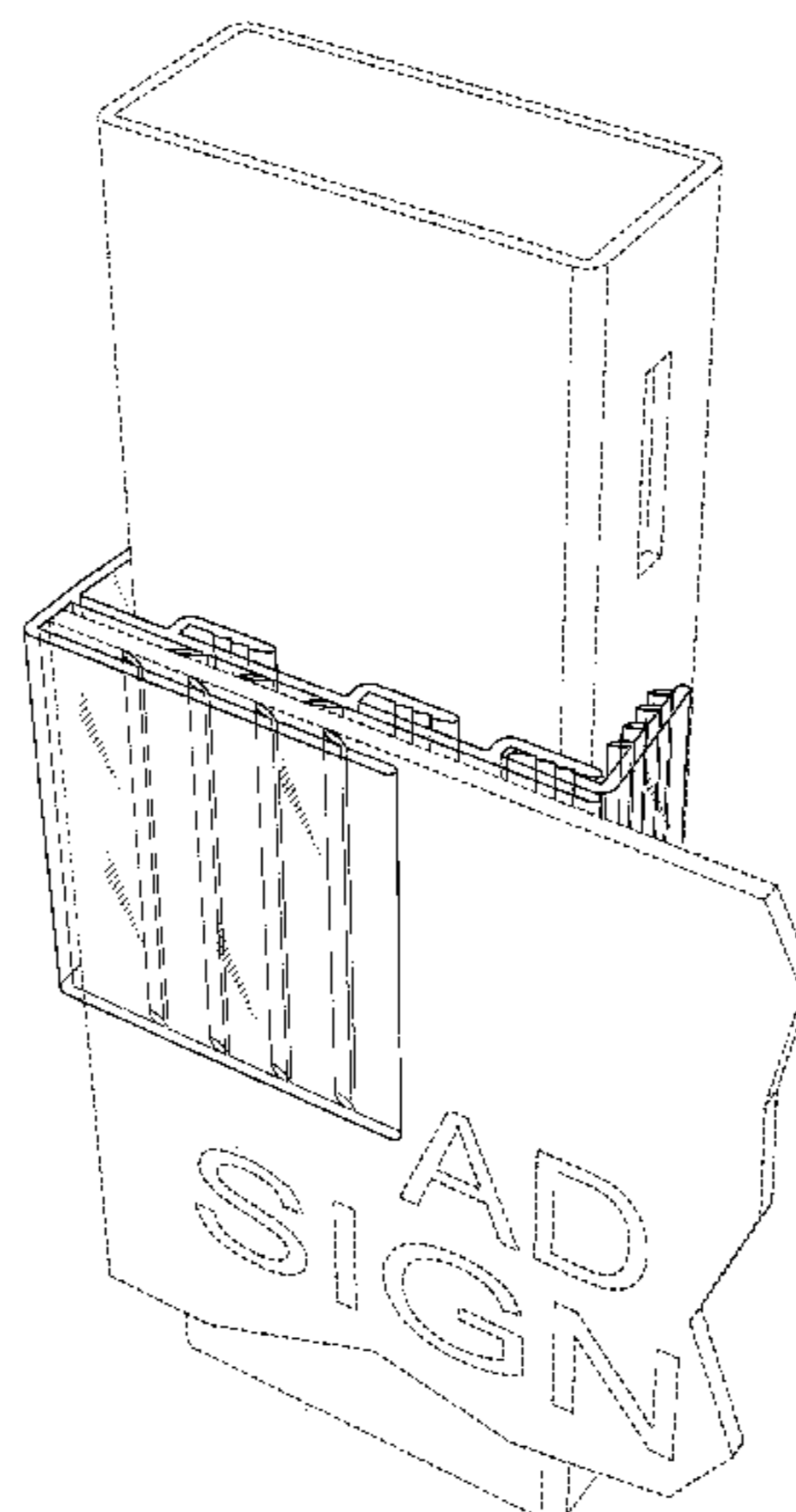
FIG. 17 is a left side view showing the first assembled position of the non-transparent sign support.

FIG. 18 is a right side view showing the first assembled position of the non-transparent sign support; and,

FIG. 19 is a back view showing the first assembled position of the non-transparent sign support.

In the drawings, the broken lines illustrate the environment in which the sign support is used and forms no part of the claimed design.

1 Claim, 10 Drawing Sheets



US D673,223 S

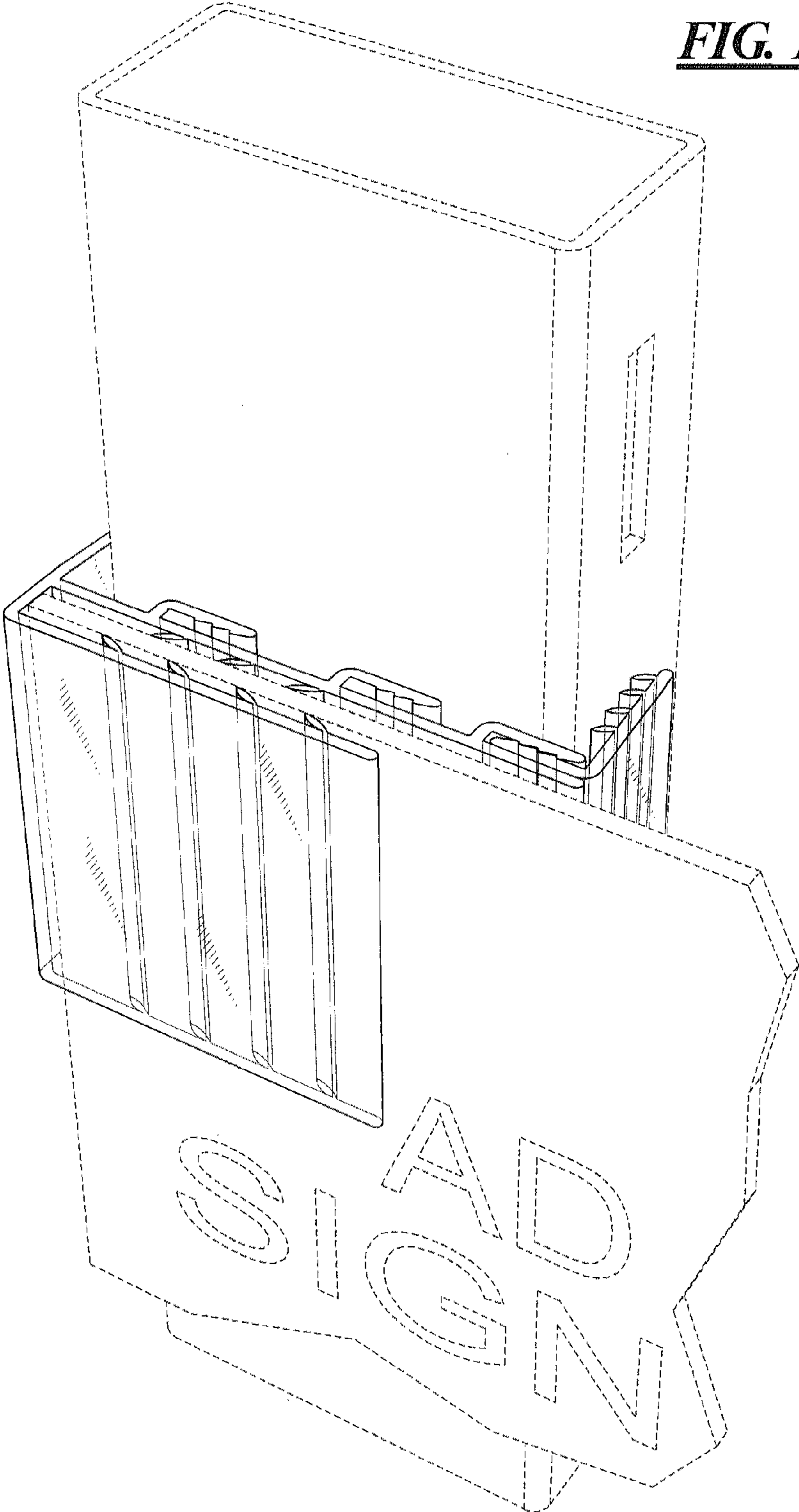
Page 2

U.S. PATENT DOCUMENTS

D314,911 S *	2/1991	Spica	D8/373	D557,429 S *	12/2007	Bullock, Jr.	D25/119
D453,798 S *	2/2002	Gray	D20/43	D607,061 S *	12/2009	Kosir	D20/44
D454,593 S *	3/2002	Kosir	D20/44	7,784,208 B2 *	8/2010	Thompson	40/599
D511,548 S *	11/2005	Wamsley	D20/43	2008/0000124 A1 *	1/2008	Hecht et al.	40/649
D512,104 S *	11/2005	Lowry	D20/44	2008/0307687 A1 *	12/2008	Nagel et al.	40/642.02

* cited by examiner

FIG. 1



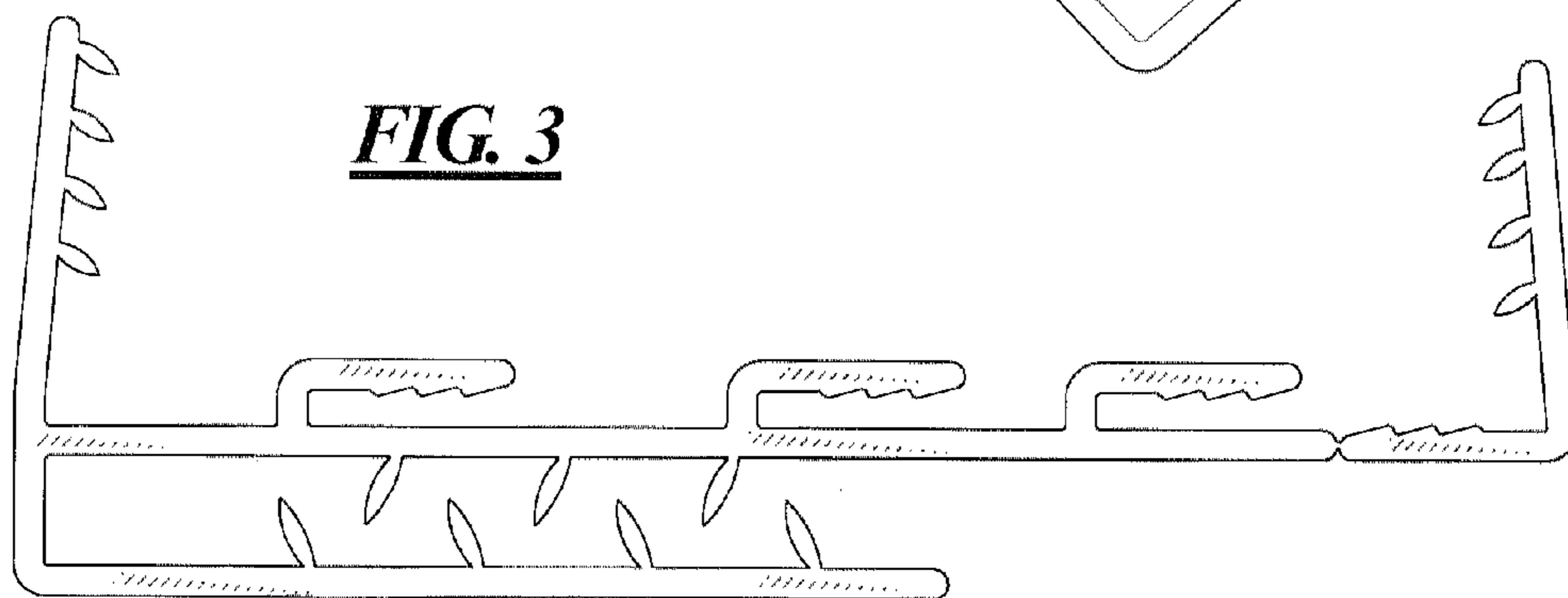
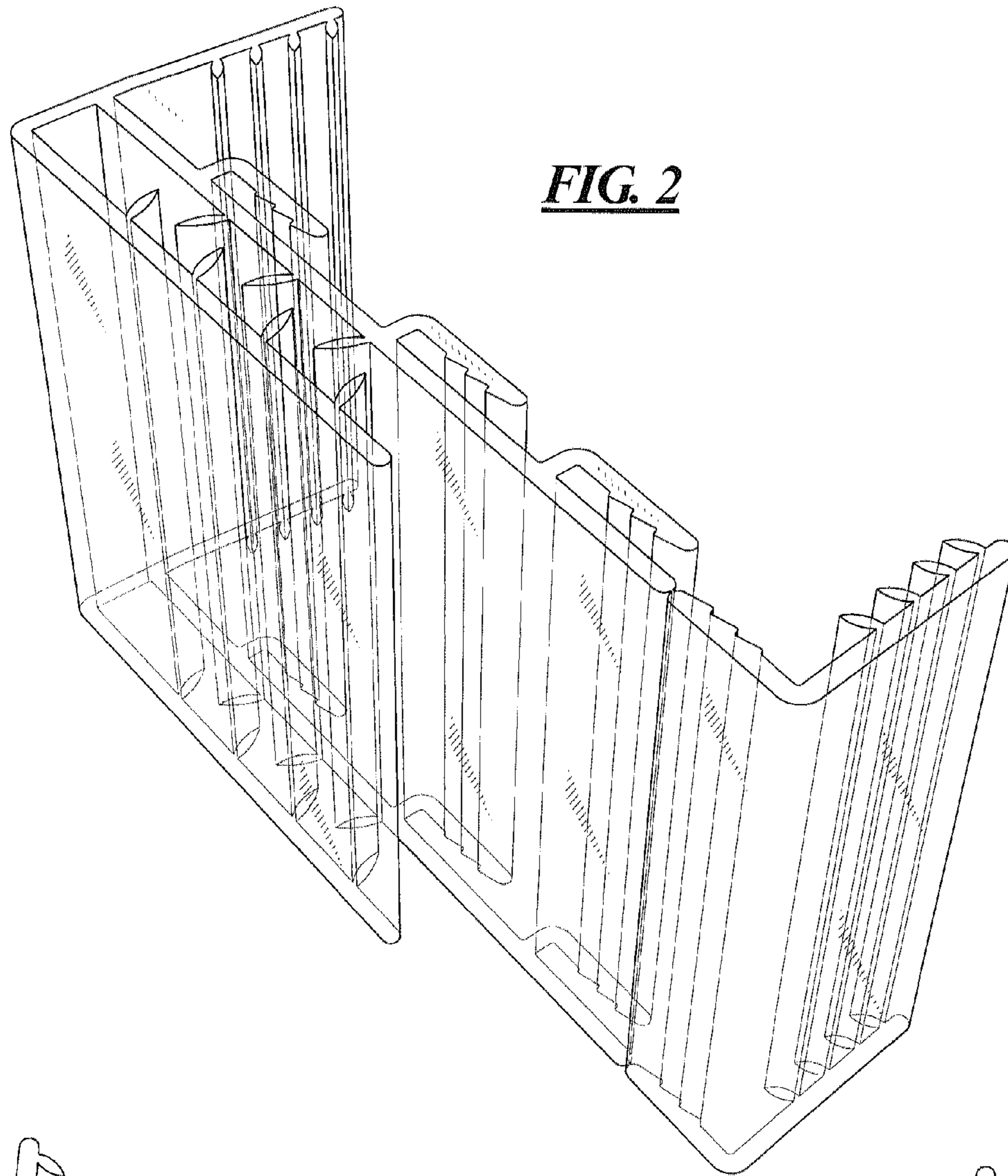


FIG. 4

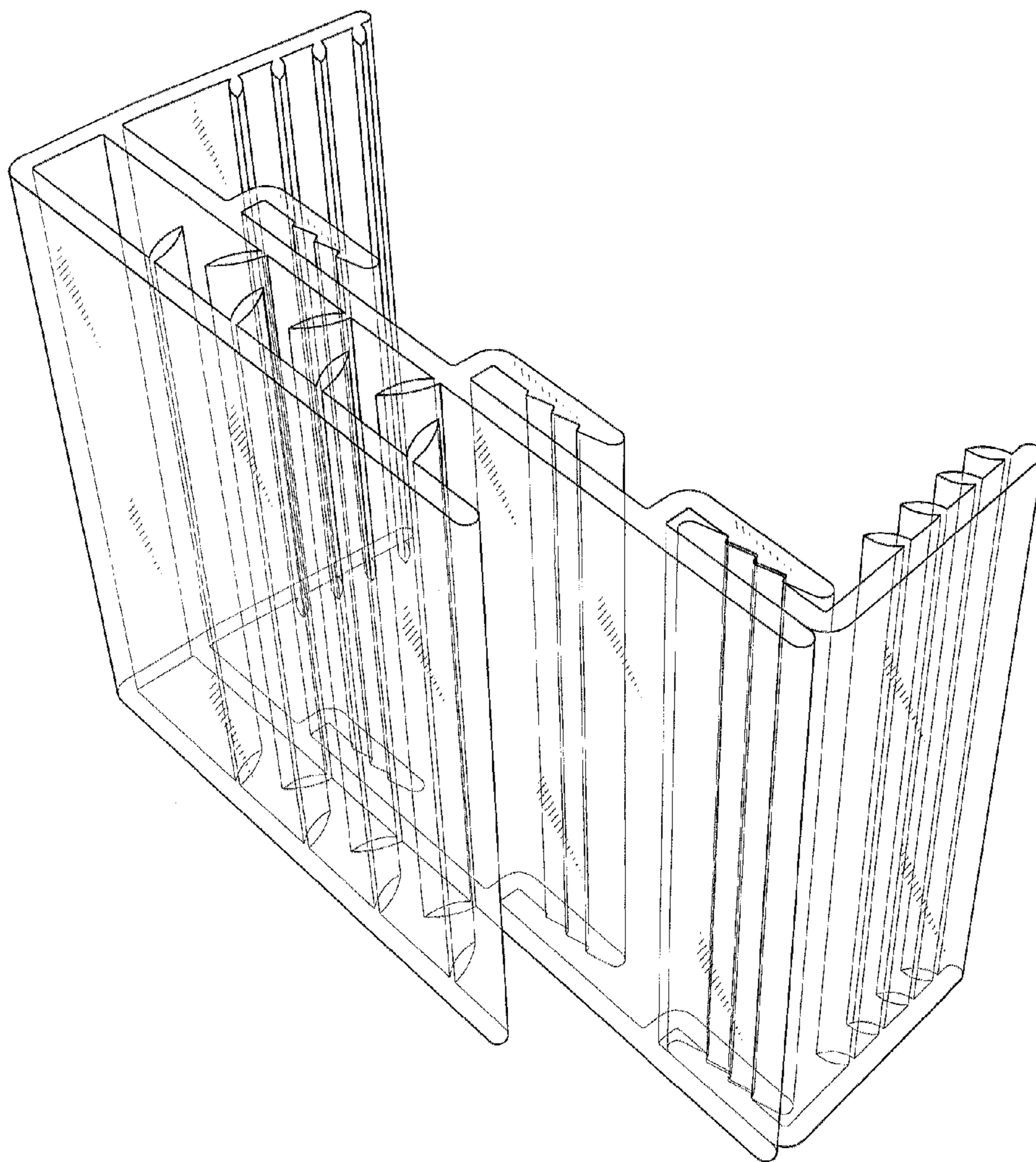


FIG. 5

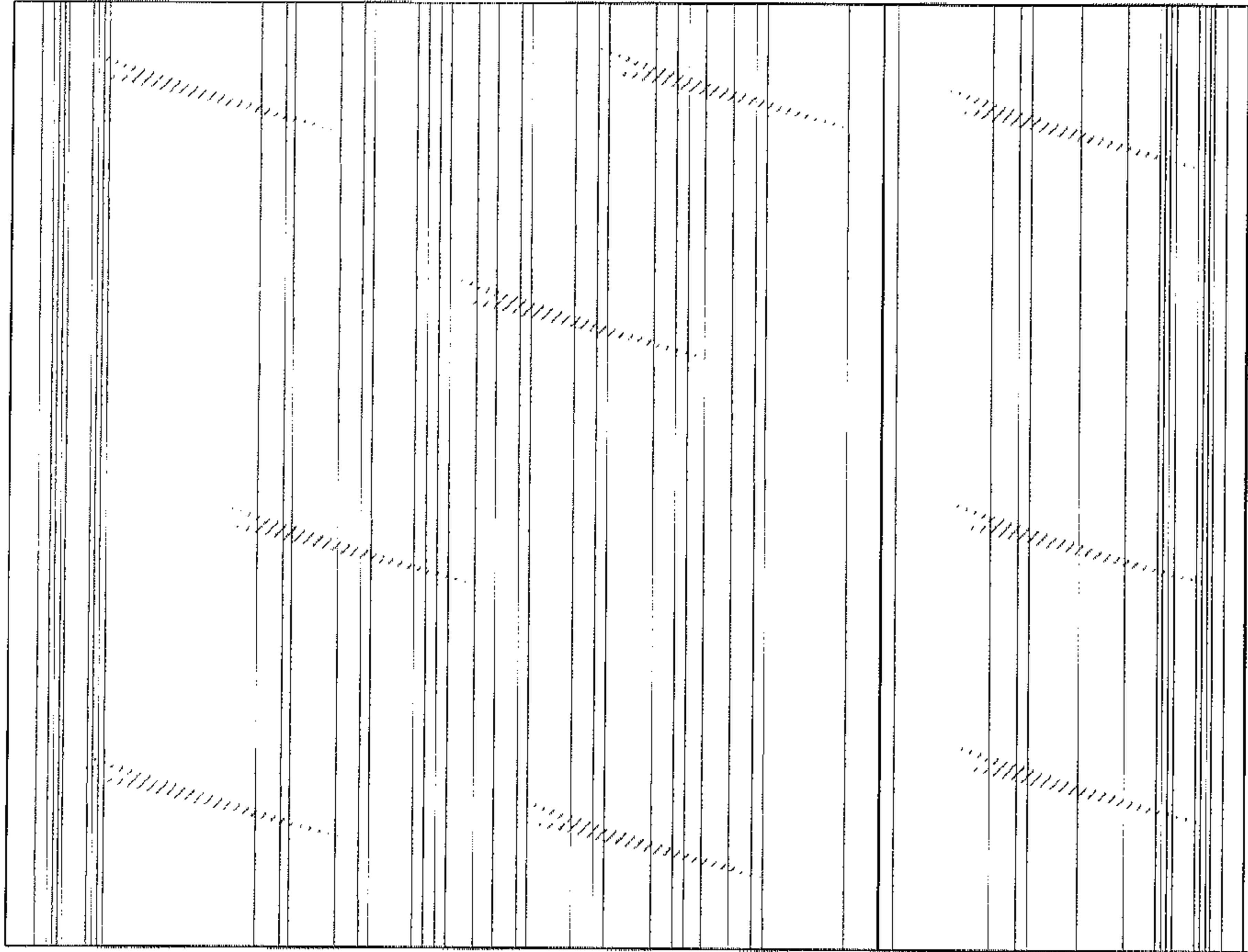


FIG. 6

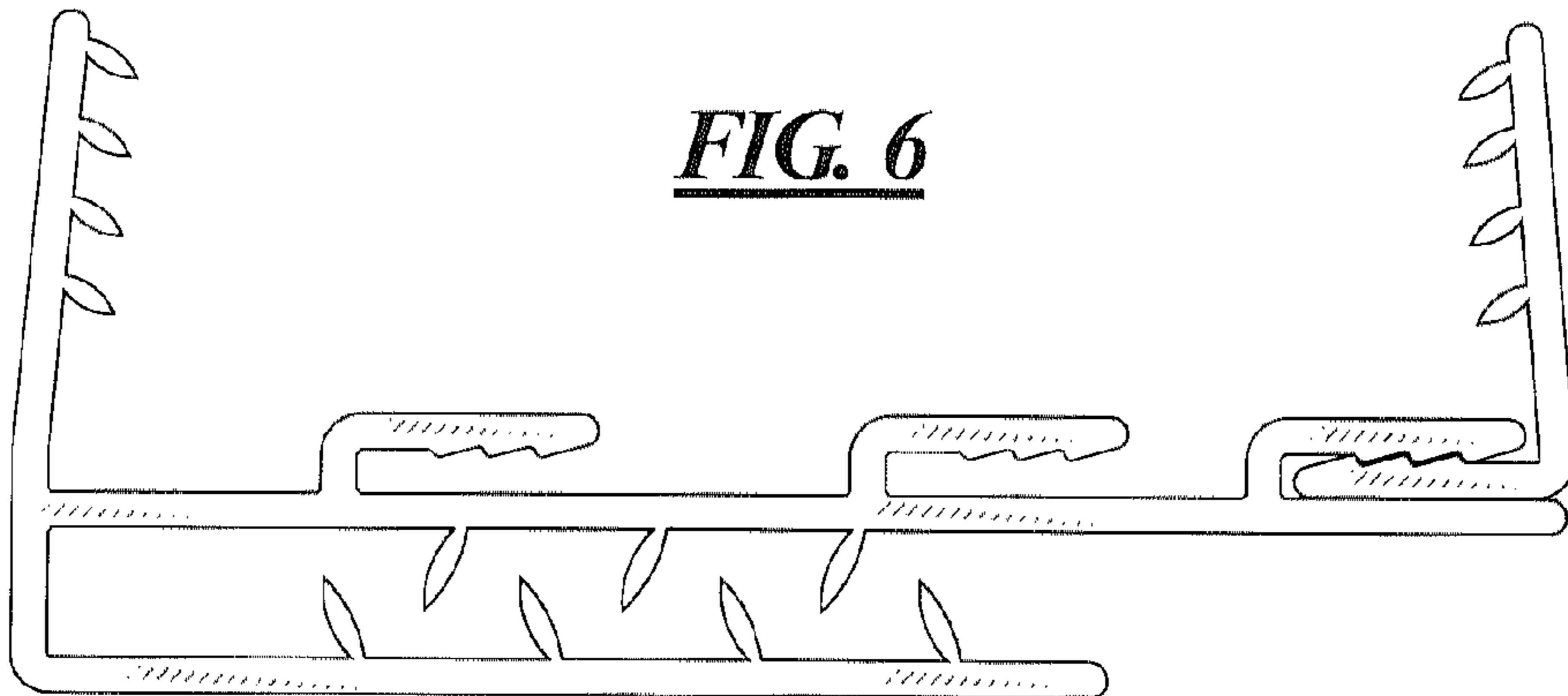


FIG. 7

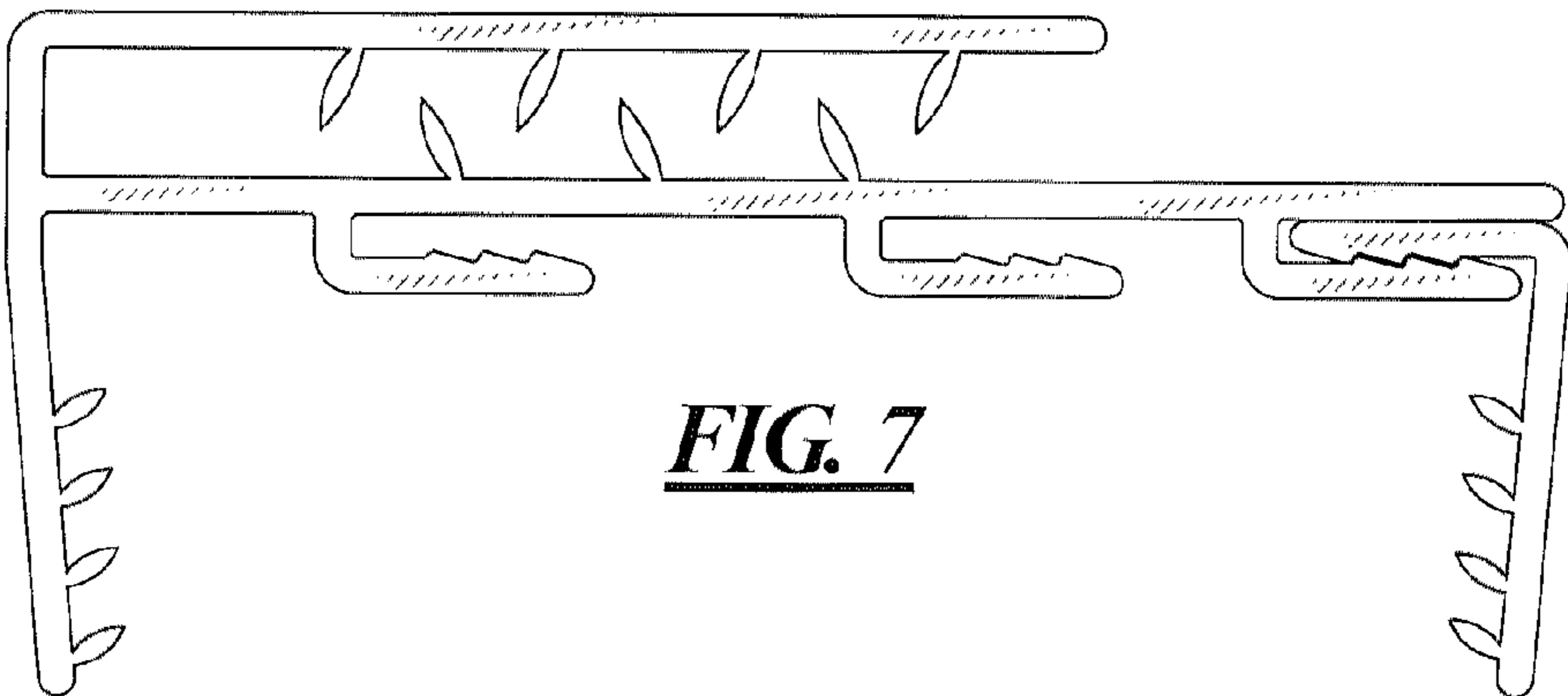


FIG. 8

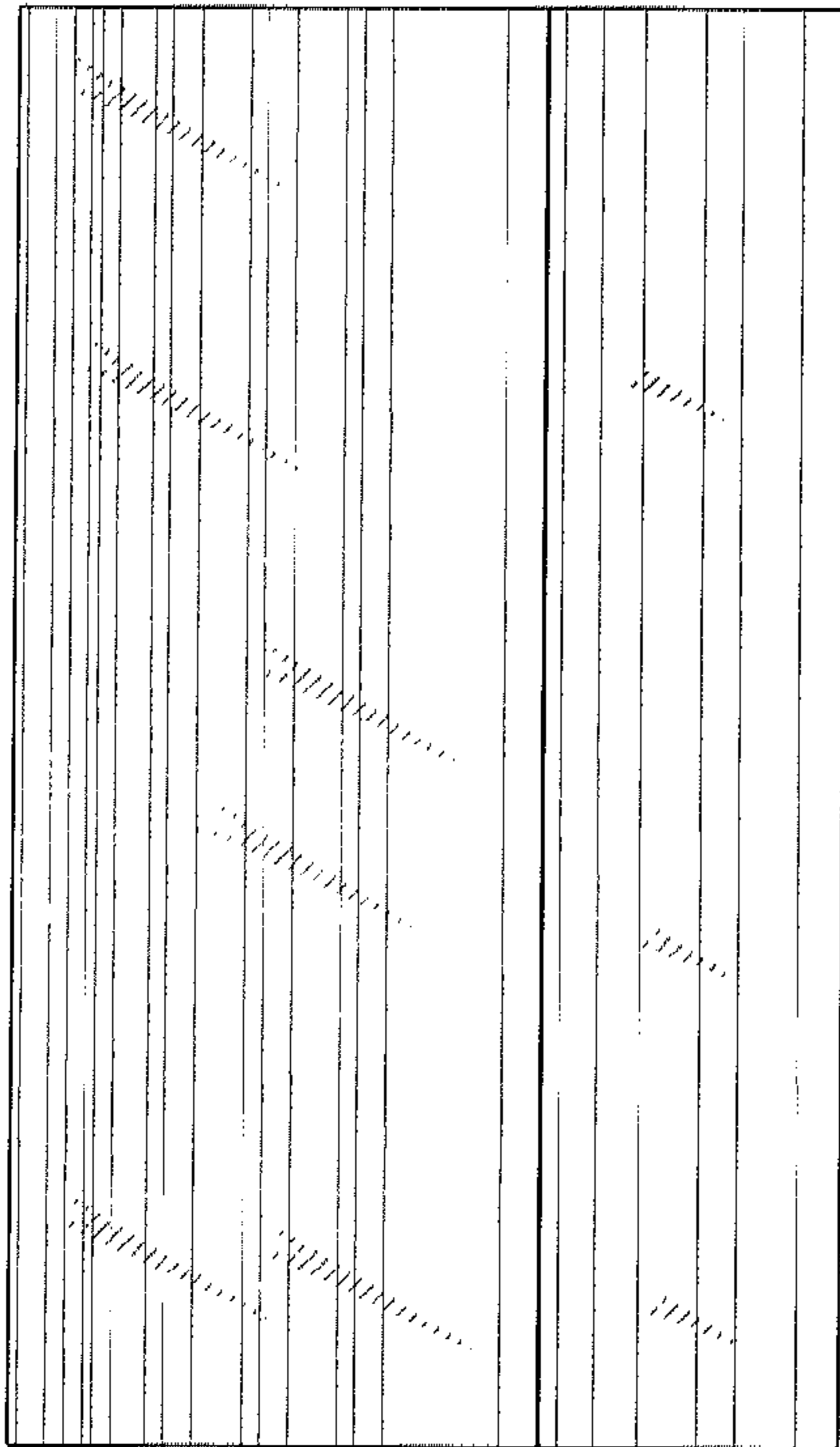


FIG. 9

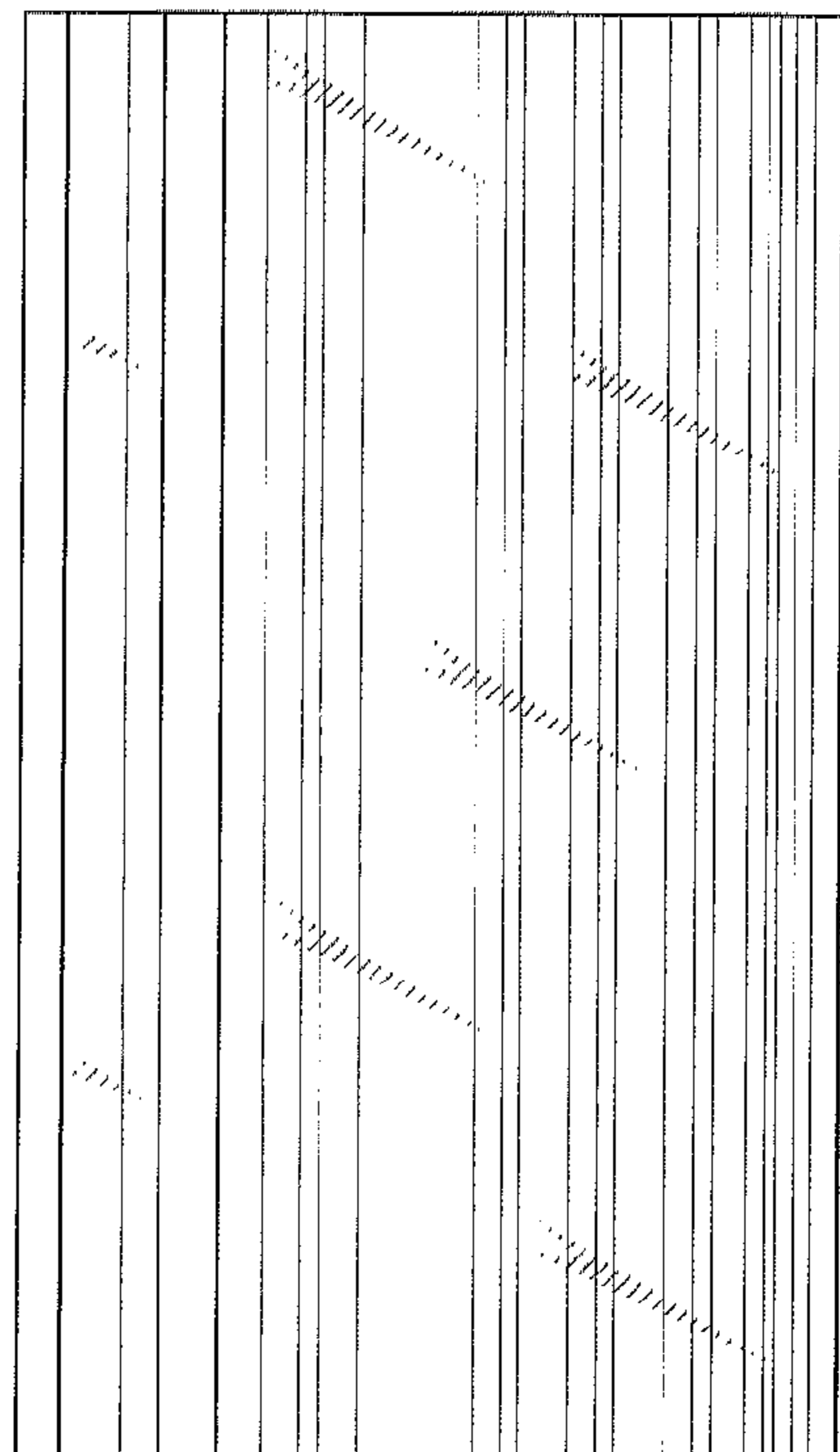


FIG. 10

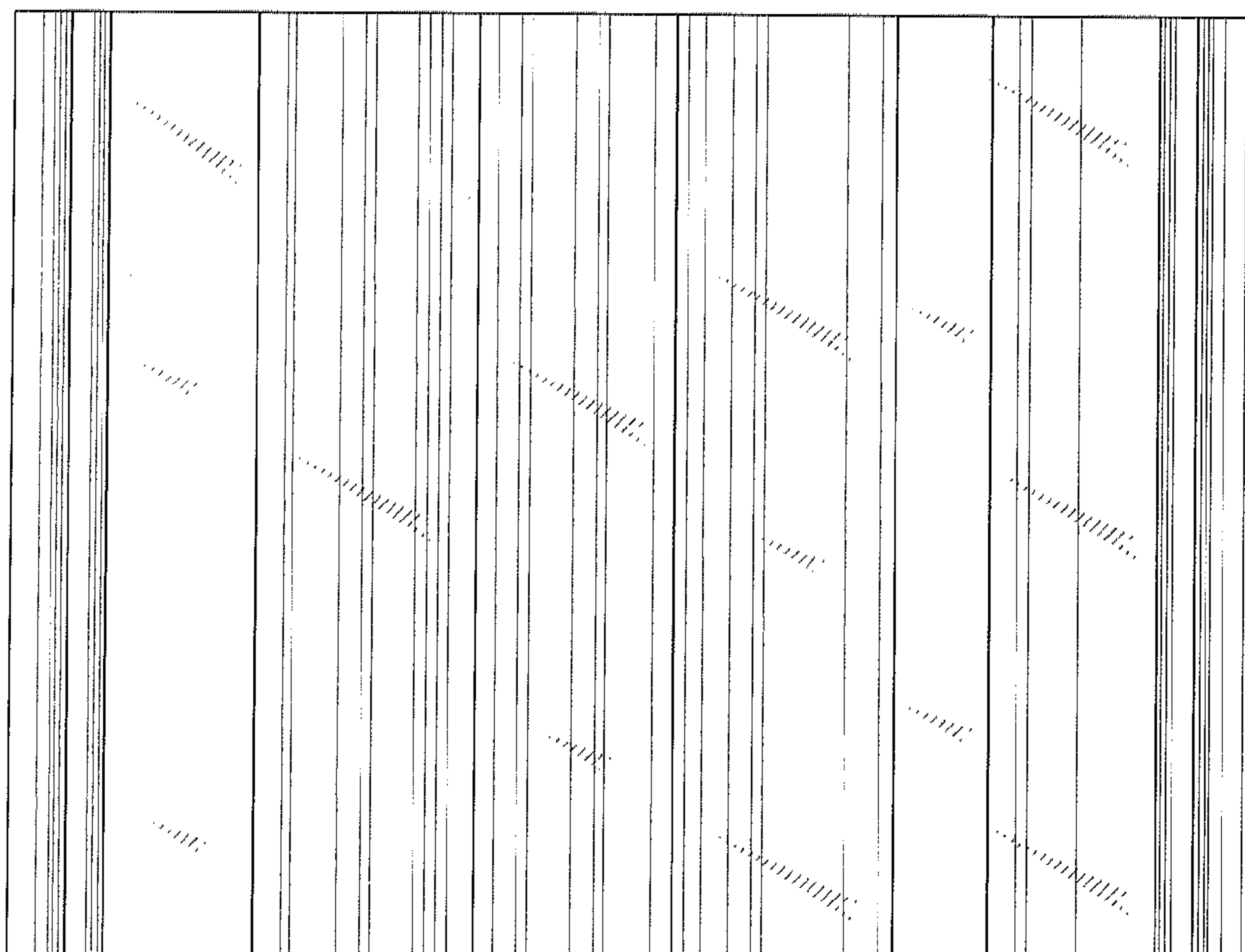


FIG. 11

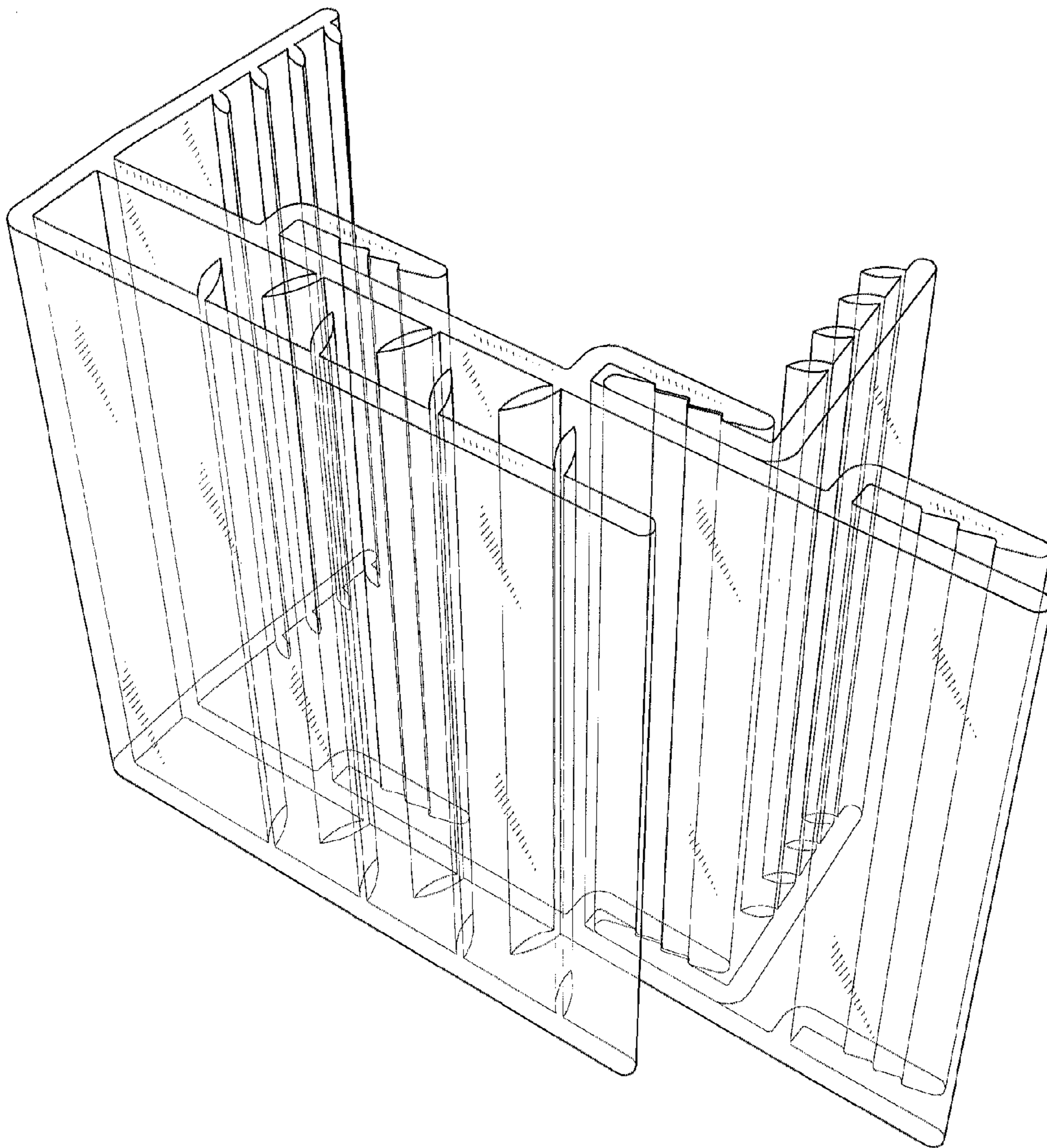


FIG. 12

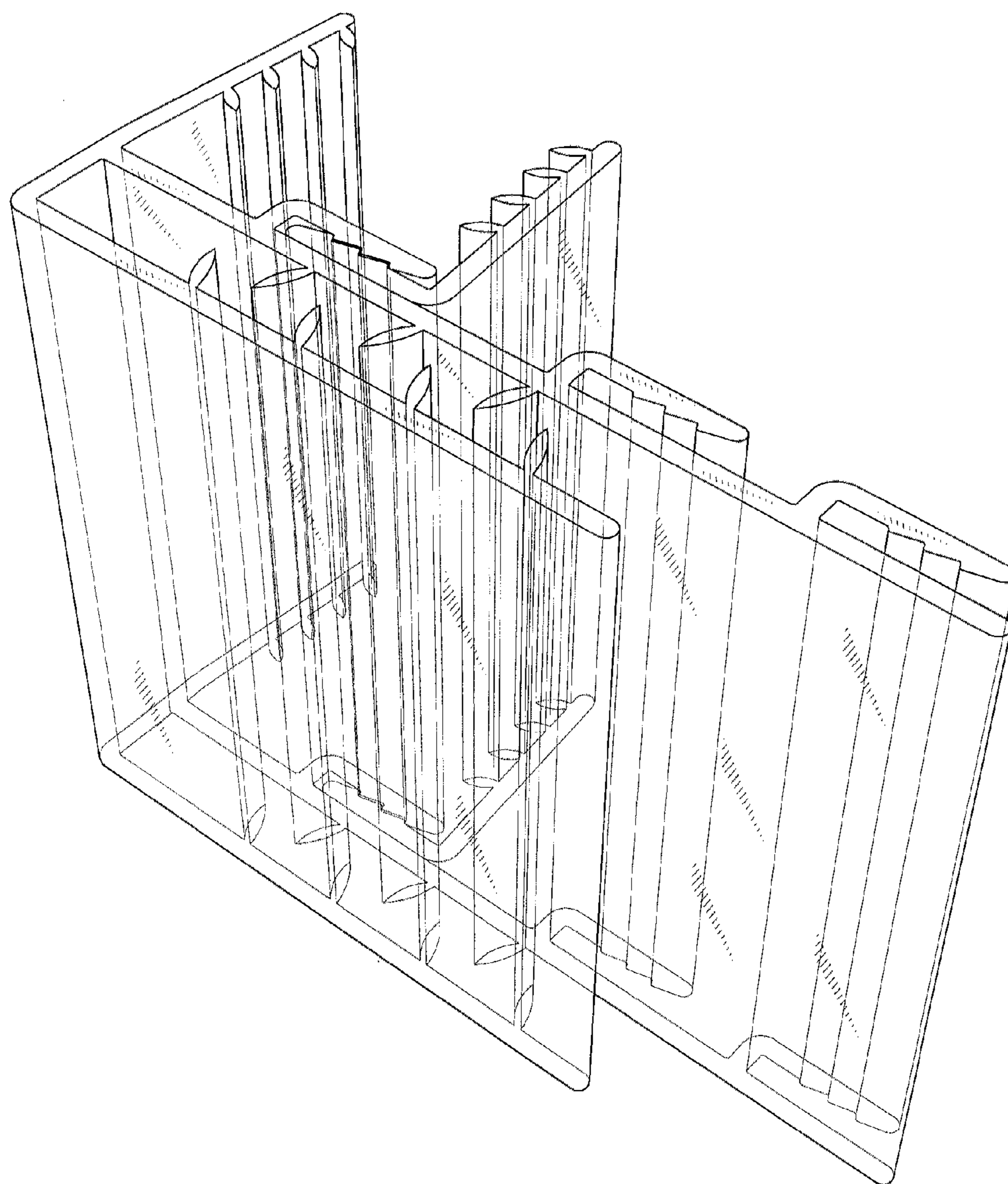


FIG. 13

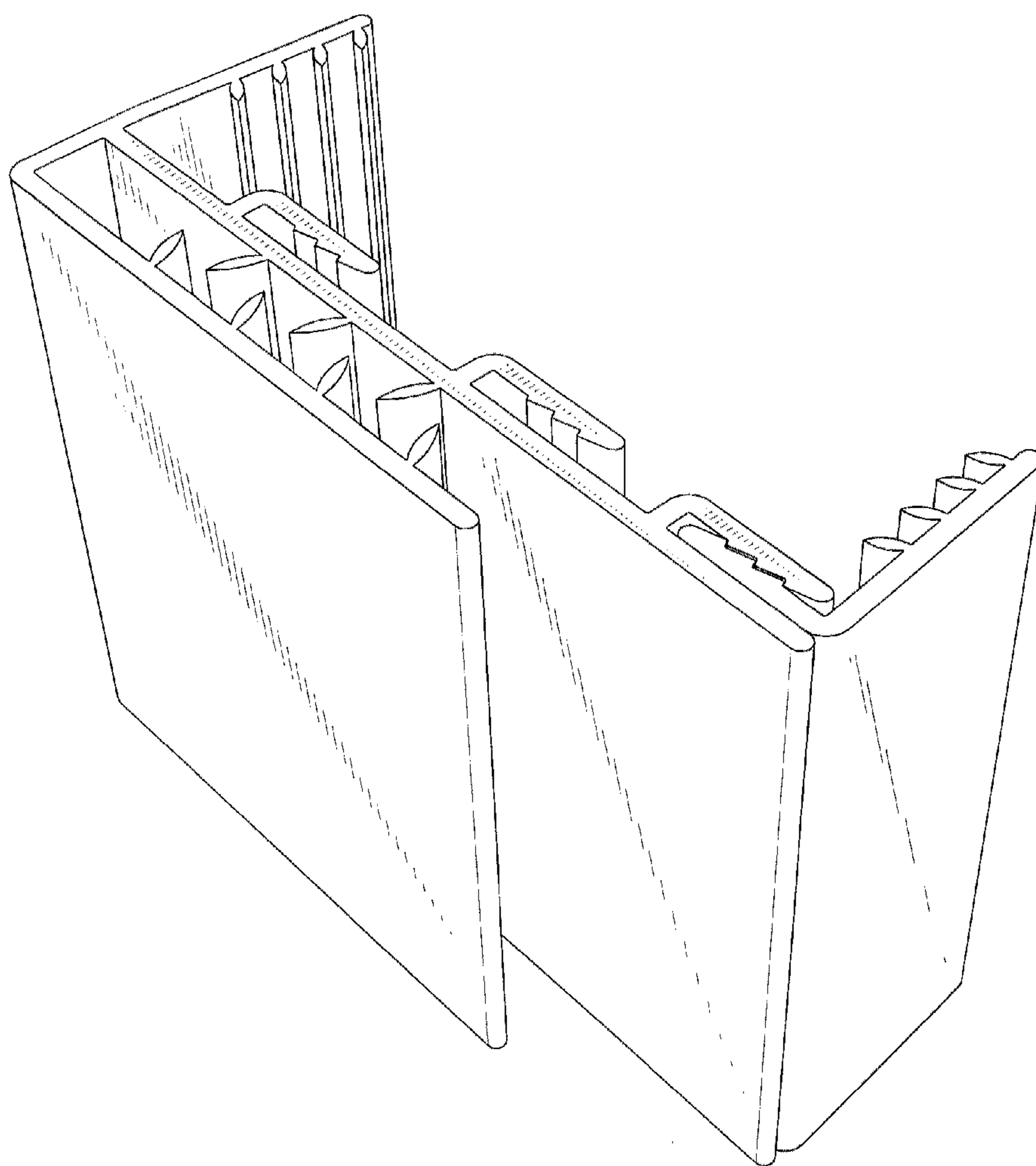


FIG. 14

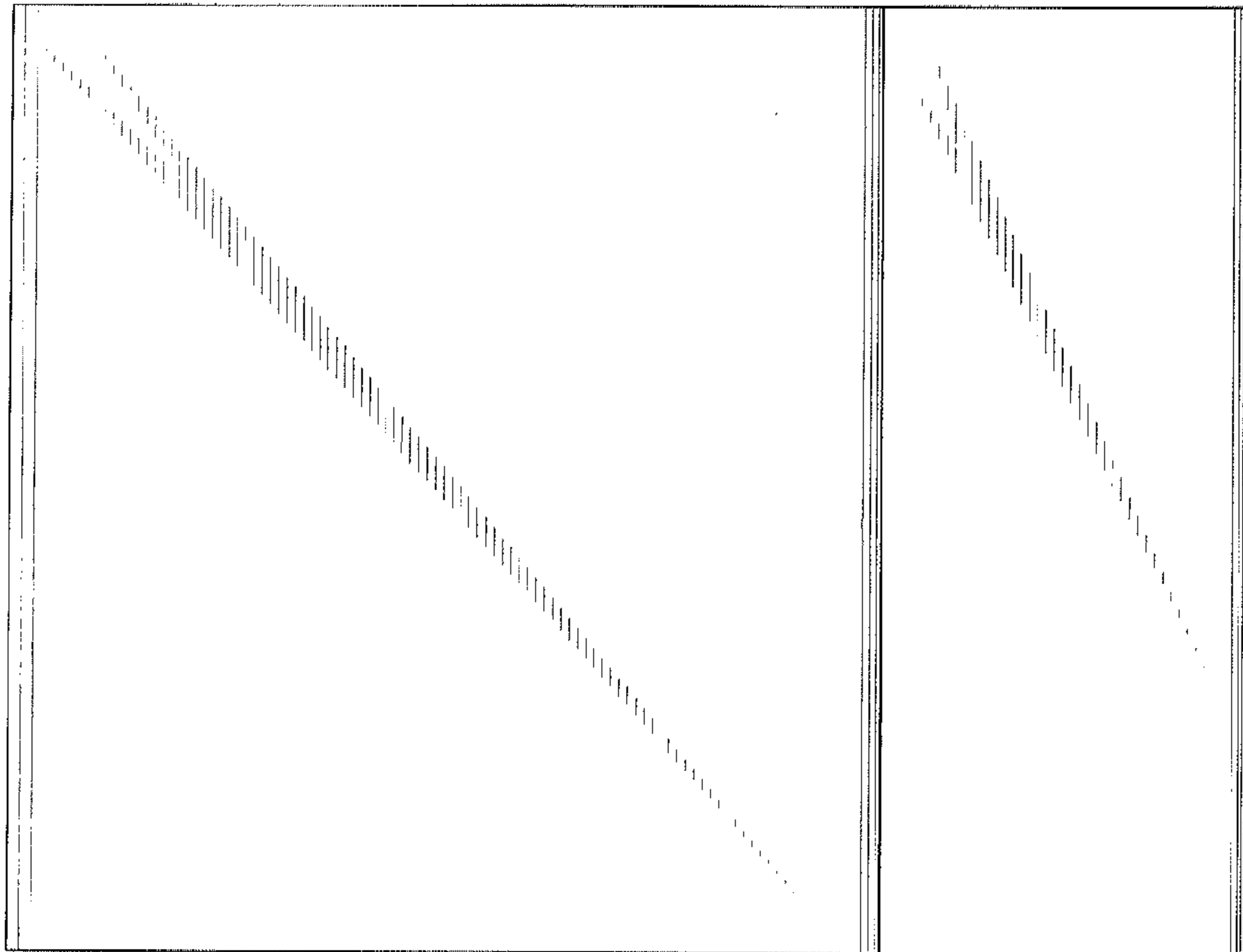


FIG. 15

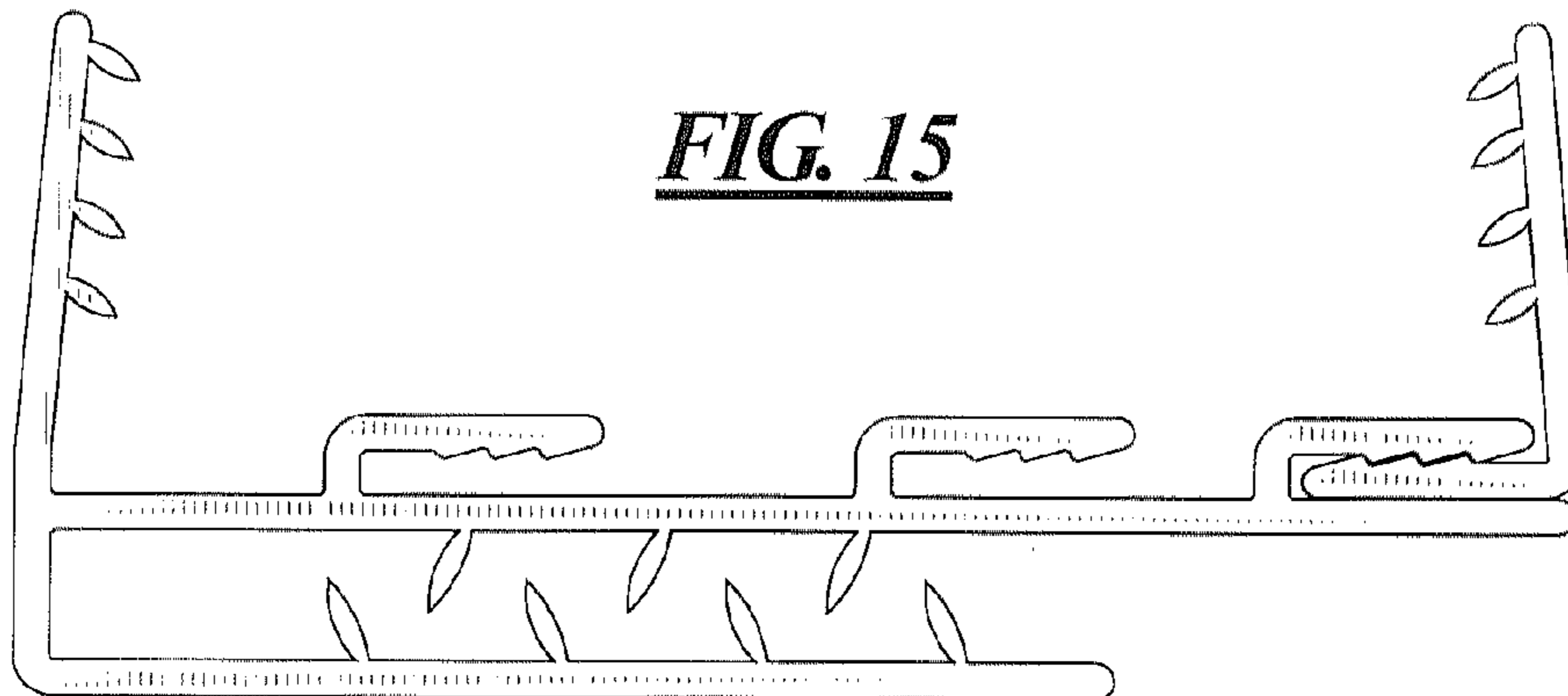


FIG. 16

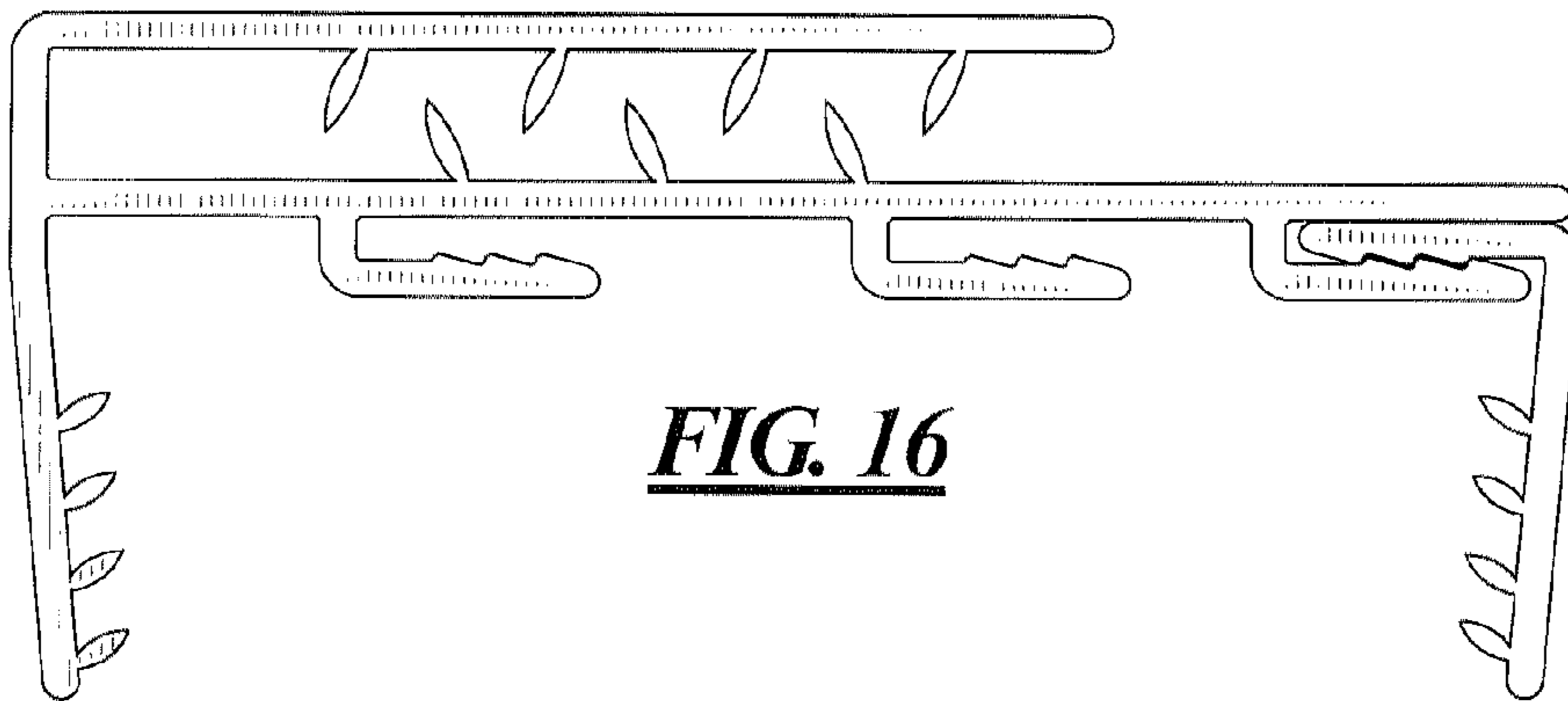


FIG. 17

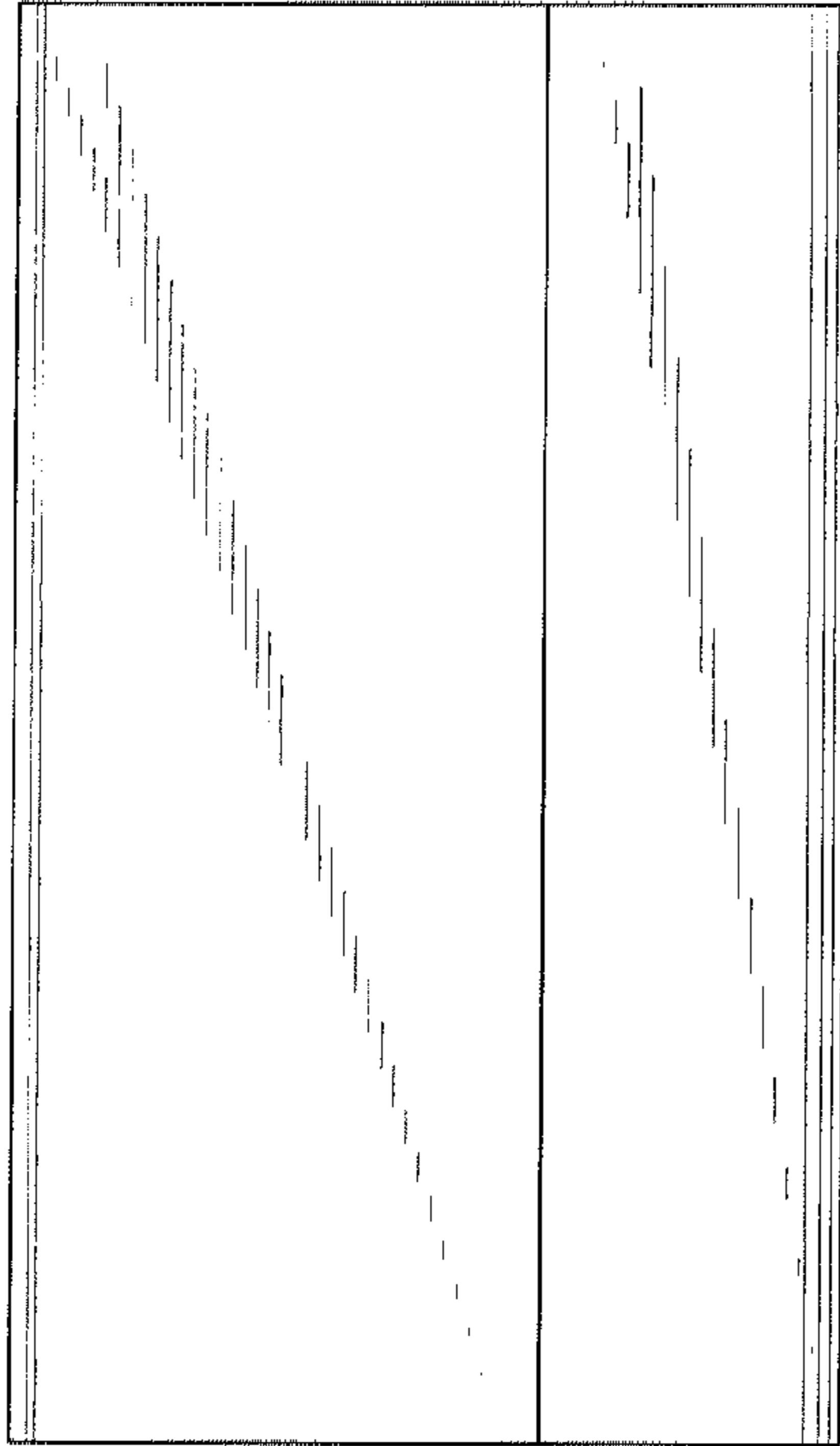


FIG. 18

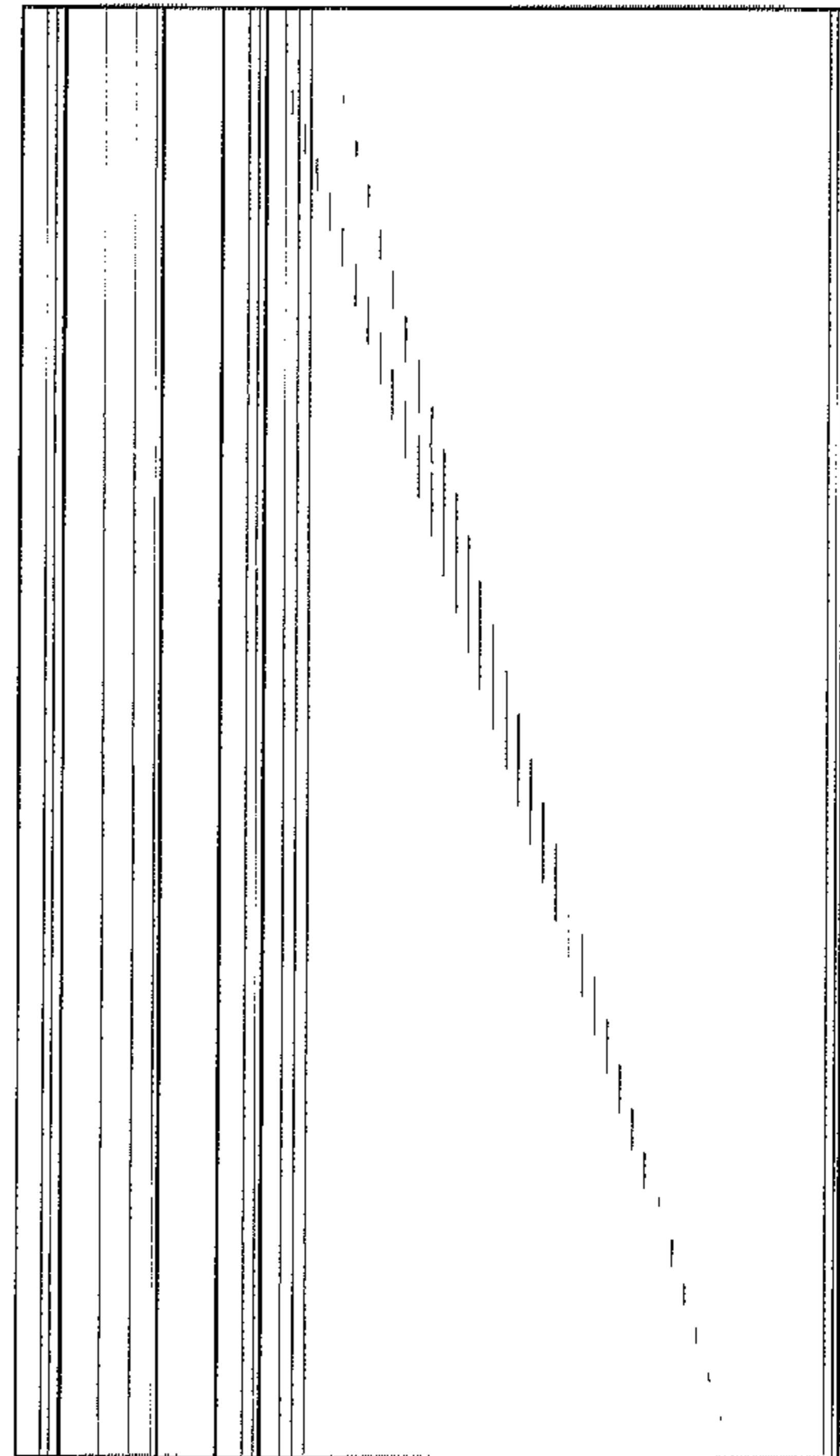


FIG. 19

