



US00D673217S

(12) **United States Design Patent**  
**Kong et al.**

(10) **Patent No.:** **US D673,217 S**

(45) **Date of Patent:** **\*\* Dec. 25, 2012**

(54) **EASEL**

(75) Inventors: **Duck Young Kong**, Grand Rapids, MI (US); **Thomas Overthun**, San Francisco, CA (US); **Elger Oberwelz**, San Francisco, CA (US); **Mark Schoolmeester**, Grand Rapids, MI (US)

(73) Assignee: **Steelcase Inc.**, Grand Rapids, MI (US)

(\*\*) Term: **14 Years**

(21) Appl. No.: **29/414,111**

(22) Filed: **Feb. 24, 2012**

(51) **LOC (9) Cl.** ..... **19-06**

(52) **U.S. Cl.** ..... **D19/52**

(58) **Field of Classification Search** ..... D6/300,  
D6/310, 449; D14/336, 371, 374; D19/52;  
D20/10, 27, 39, 40, 42; 40/581, 584, 611.01;  
312/230; 345/173; 434/408, 410, 415; 211/118,  
211/198; 248/441.1, 450

See application file for complete search history.

(56) **References Cited**

U.S. PATENT DOCUMENTS

391,191	A *	10/1888	Ritterhouse	211/198
392,565	A	11/1888	Larew	
549,630	A *	11/1895	Cole	40/610
1,664,036	A	3/1928	Jarvis	
1,680,056	A	8/1928	Mathias	
1,810,826	A *	6/1931	Gray	184/108
1,877,669	A *	9/1932	Herman	297/156
1,989,216	A *	1/1935	Shaw et al.	434/408
2,002,128	A *	5/1935	Reidenbaugh	211/1
2,016,421	A *	10/1935	Eichner	211/70.6
2,485,517	A *	10/1949	Vaule et al.	248/464
2,833,550	A	5/1958	Frick	

2,902,239	A	9/1959	Janecka, Jr.	
2,981,030	A *	4/1961	Knop	211/74
3,173,386	A *	3/1965	Magers	108/108
3,190,603	A	6/1965	Finnemann	
3,467,259	A *	9/1969	Silver	211/74
4,098,009	A	7/1978	Flynn	
D251,695	S *	4/1979	Miller et al.	D20/19
4,197,673	A *	4/1980	Thomas	47/23.2

(Continued)

FOREIGN PATENT DOCUMENTS

FR 2547179 A1 12/1984

OTHER PUBLICATIONS

Easel sales sheet, downloaded from <http://www.ghent.com/products/nexus/nexus-products/easel.html> on Apr. 24, 2012 (2 pages).

*Primary Examiner* — Elizabeth Albert

(57) **CLAIM**

We claim the ornamental design for an easel, as shown and described.

**DESCRIPTION**

FIG. 1 is a front perspective view of an easel showing my new design;

FIG. 2 is a rear view of the easel of FIG. 1;

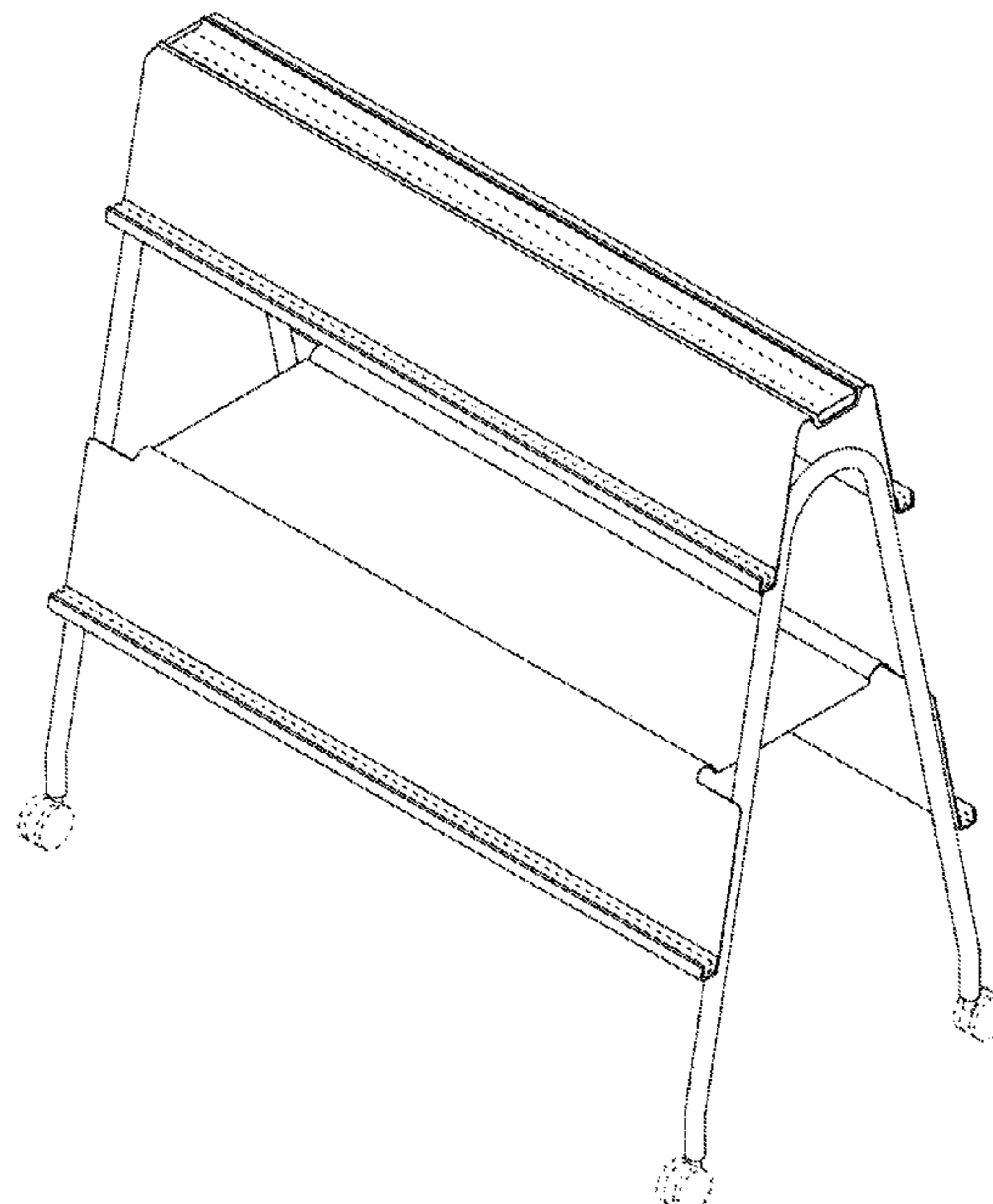
FIG. 3 is a left side view of the easel of FIG. 1, the right side view is a mirror image of the left side view of FIG. 3;

FIG. 4 is a top view of the easel of FIG. 1; and,

FIG. 5 is a bottom view of the easel of FIG. 1.

The broken lines in FIGS. 1-5 are included for the purpose of showing environmental structure that forms no part of the claimed design.

**1 Claim, 4 Drawing Sheets**



# US D673,217 S

Page 2

---

U.S. PATENT DOCUMENTS			
4,824,064	A *	4/1989	Oncale ..... 248/441.1
4,971,284	A *	11/1990	Curry ..... 248/460
D319,926	S	9/1991	Solomon
5,094,352	A *	3/1992	Green et al. .... 211/186
5,273,248	A	12/1993	Grander
D369,833	S	5/1996	Egan et al.
D380,232	S	6/1997	Egan et al.
D401,279	S	11/1998	Thorp et al.
D401,625	S	11/1998	Verbeek
D404,208	S	1/1999	Beno
5,899,429	A	5/1999	McCloud
5,941,713	A	8/1999	Wayner et al.
D417,536	S *	12/1999	Sum ..... D32/58
D431,910	S	10/2000	Glass
6,837,385	B2 *	1/2005	Bennett et al. .... 211/118
6,880,278	B1 *	4/2005	Connors ..... 40/605
6,955,130	B2	10/2005	Phillips
6,966,136	B2 *	11/2005	Connors ..... 40/605
7,325,343	B2	2/2008	Seiber et al.
7,441,358	B1	10/2008	Ngan
D613,963	S *	4/2010	Eckenswiler ..... D6/449
D626,763	S	11/2010	Koh
7,857,277	B2	12/2010	Bertrand
7,886,916	B2	2/2011	Alyn
2003/0150828	A1 *	8/2003	Bennett et al. .... 211/118

\* cited by examiner

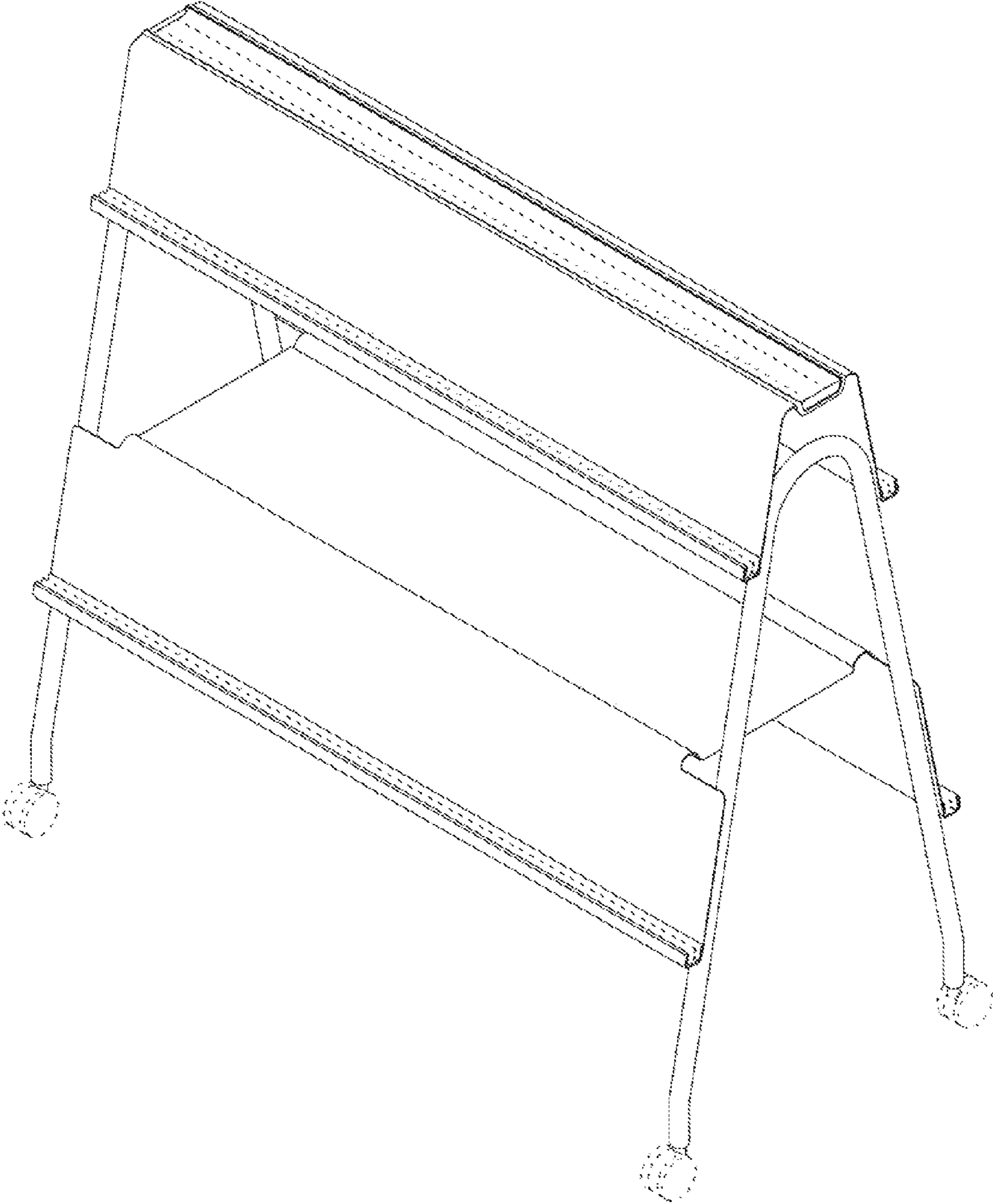


FIG. 1

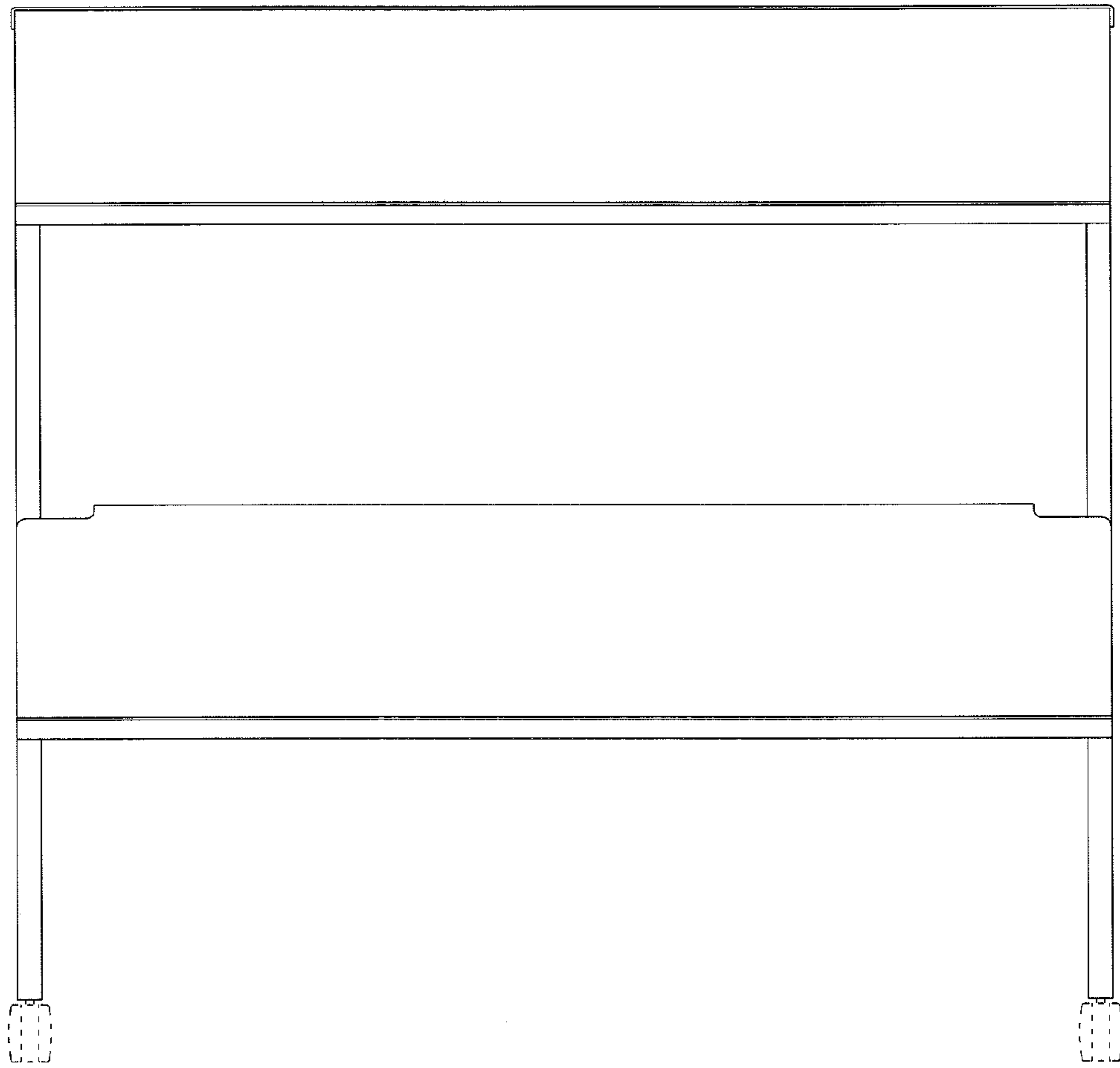


FIG. 2

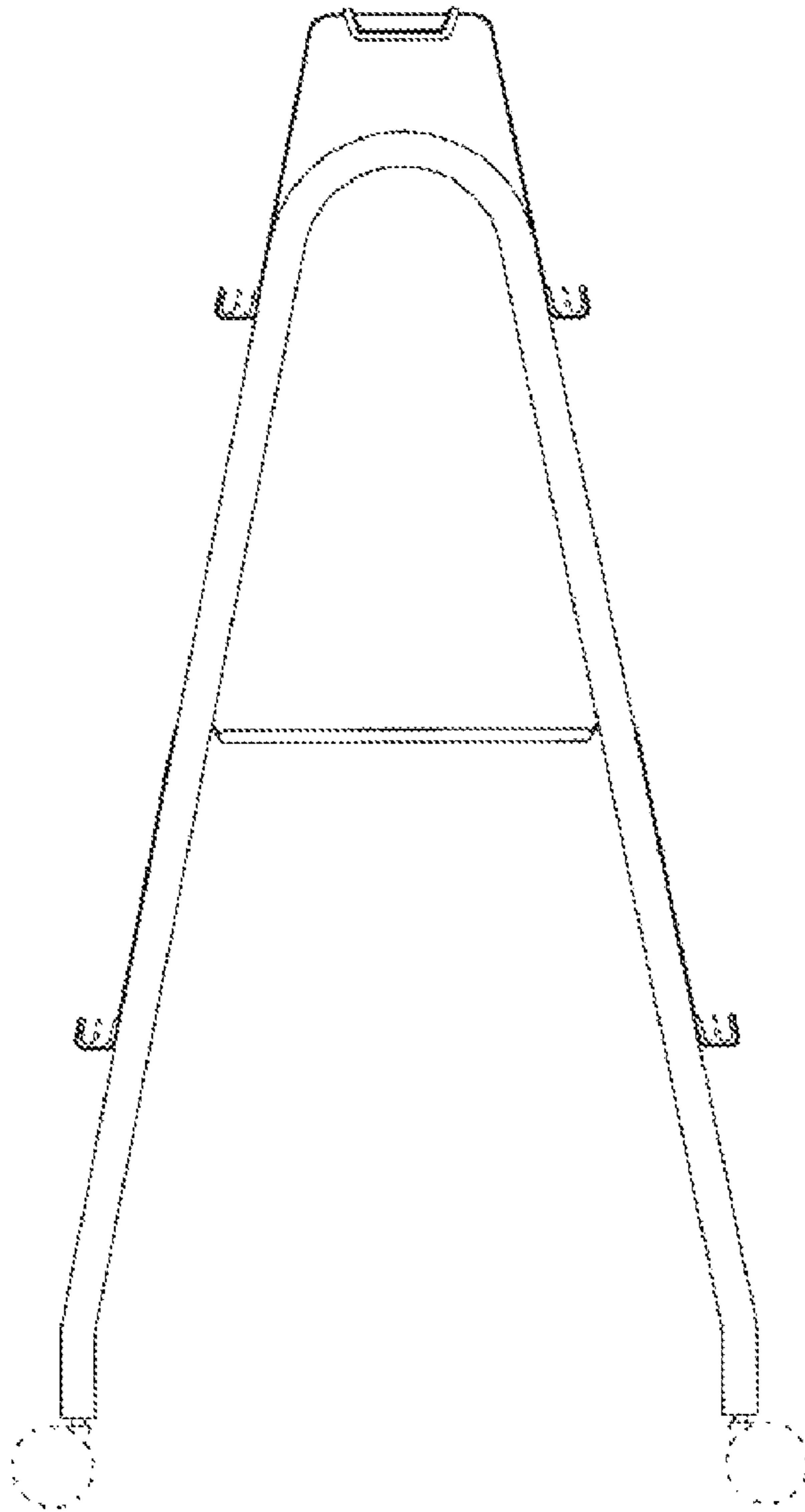


FIG. 3

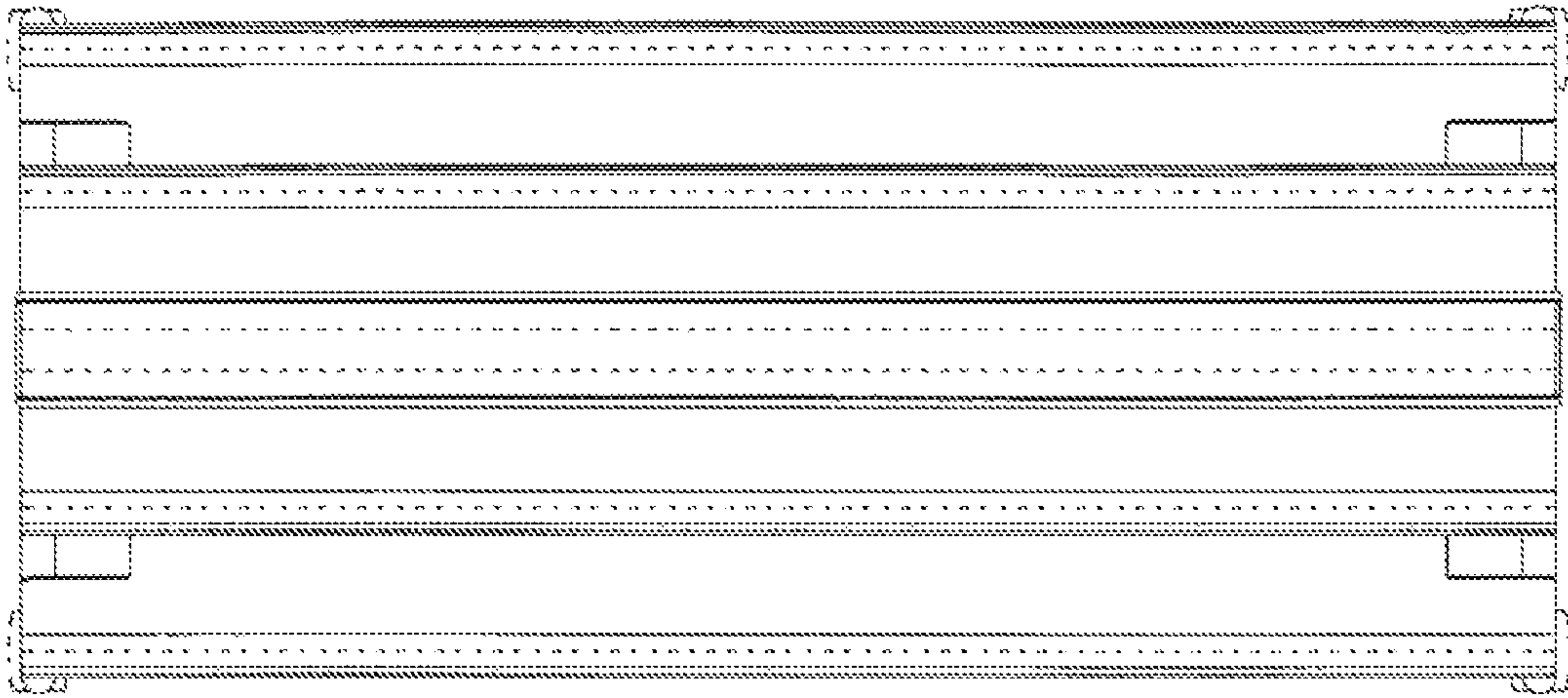


FIG. 4

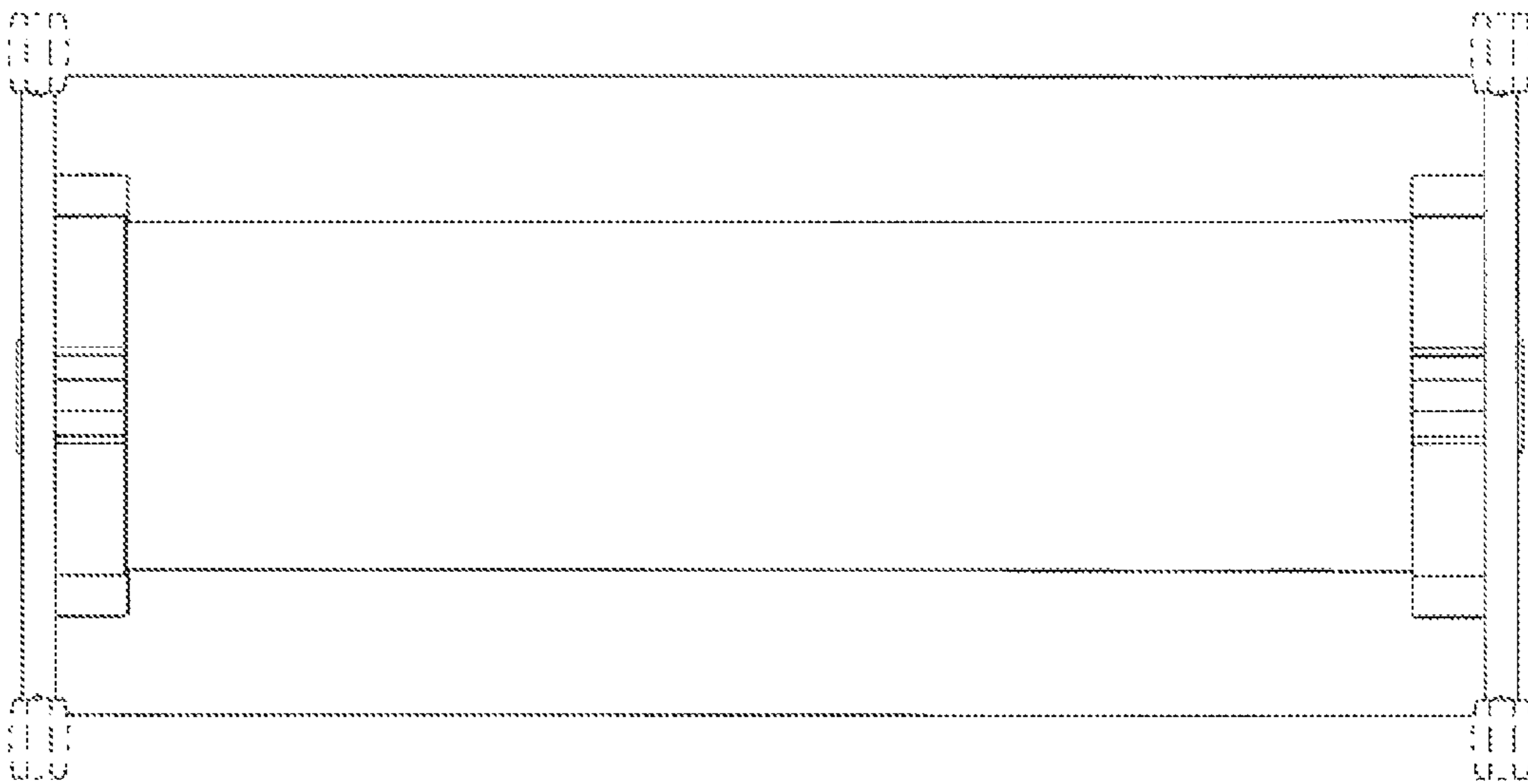


FIG. 5