

US00D673216S

(12) **United States Design Patent**  
**Yuan**

(10) **Patent No.:** **US D673,216 S**  
(45) **Date of Patent:** **\*\* Dec. 25, 2012**

(54) **PEN**  
(75) **Inventor:** **Fang Yuan, Ningbo (CN)**  
(73) **Assignee:** **Beifa Group Co., Ltd., Ningbo (CN)**  
(\*\*) **Term:** **14 Years**

D591,351 S 4/2009 Shi  
D595,772 S \* 7/2009 Zhang ..... D19/49  
D601,196 S \* 9/2009 Zhang ..... D19/48  
D608,392 S \* 1/2010 Shibata ..... D19/50  
D609,746 S \* 2/2010 Ma ..... D19/50  
D641,411 S \* 7/2011 Tan ..... D19/50  
D656,992 S \* 4/2012 Briggl ..... D19/50

(21) **Appl. No.:** **29/396,506**  
(22) **Filed:** **Jun. 30, 2011**

**OTHER PUBLICATIONS**

Jiang, L., "Pen," U.S. Appl. No. 29/404,070, filed Oct. 14, 2011.  
Liang, W., "Pen," U.S. Appl. No. 29/405,745, filed Nov. 4, 2011.  
Liang, W., "Pen," U.S. Appl. No. 29/405,747, filed Nov. 4, 2011.  
Xie, J., "Pen," U.S. Appl. No. 29/405,752, filed Nov. 4, 2011.  
Zhang, Y., "Pen," U.S. Appl. No. 29/387,818, filed Mar. 18, 2011.

(30) **Foreign Application Priority Data**

Jan. 17, 2011 (CN) ..... 2011 3 0007399

\* cited by examiner

(51) **LOC (9) Cl.** ..... **19-06**  
(52) **U.S. Cl.** ..... **D19/50**  
(58) **Field of Classification Search** ..... D19/35,  
D19/36, 41-51, 54-58; D14/411; 24/11 F,  
24/11 P, 11 R; 401/52, 99-109, 192, 195,  
401/196

*Primary Examiner* — Elizabeth Albert  
(74) *Attorney, Agent, or Firm* — Christensen O'Connor  
Johnson Kindness PLLC

See application file for complete search history.

(57) **CLAIM**  
The ornamental design for a pen, as shown and described.

**DESCRIPTION**

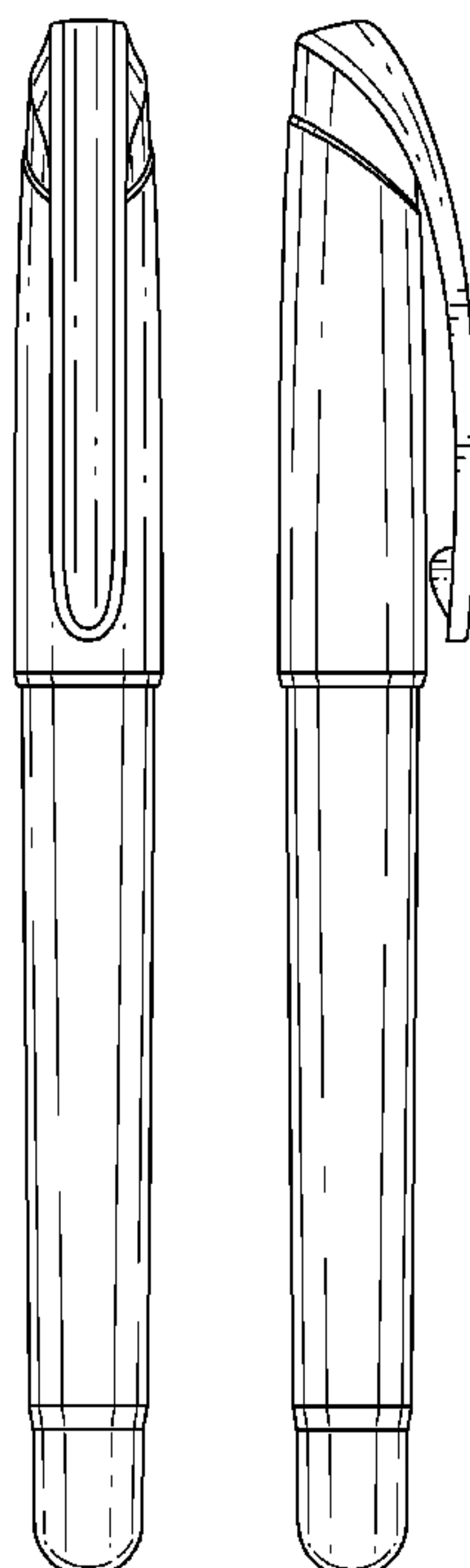
(56) **References Cited**

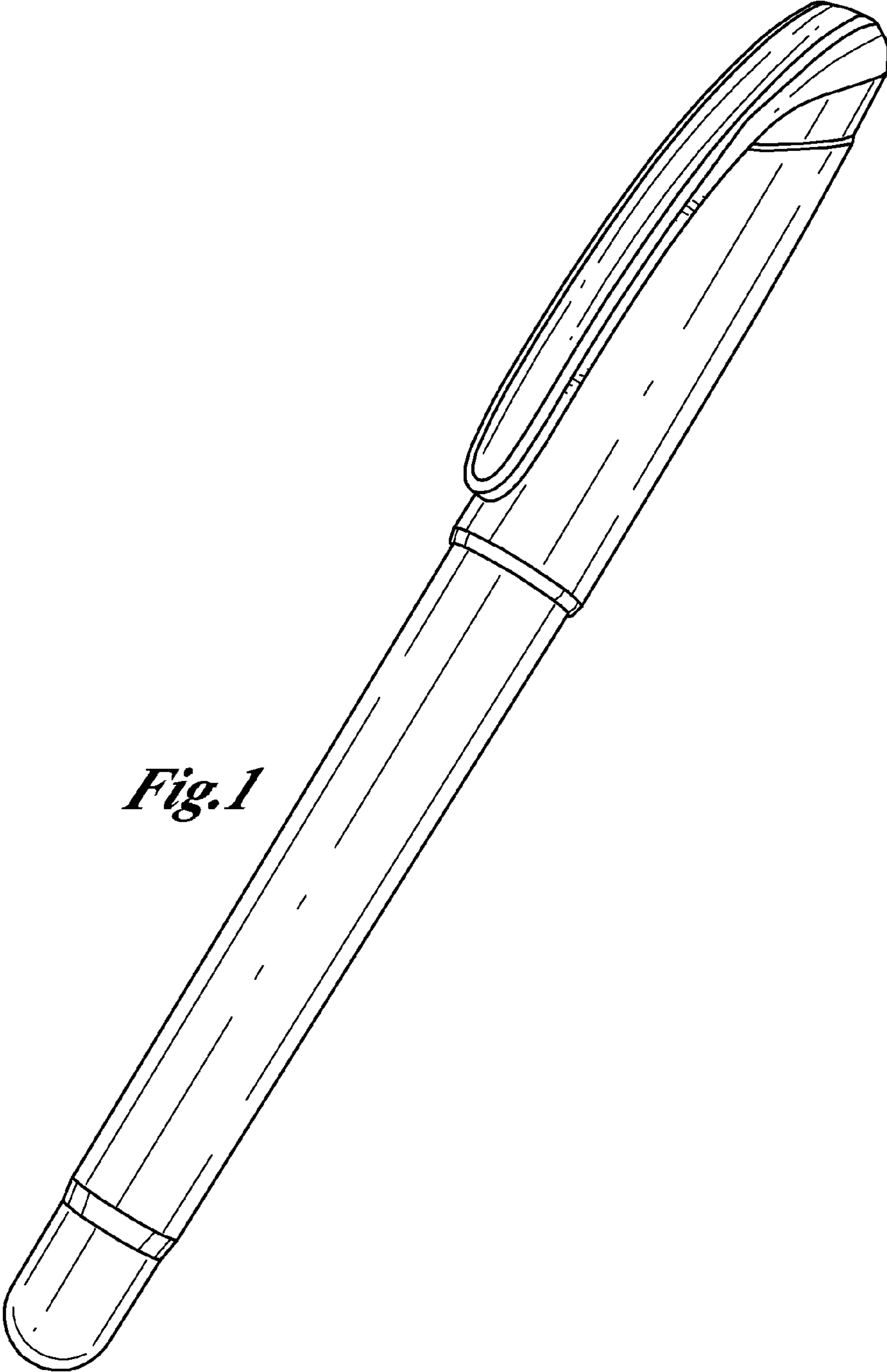
**U.S. PATENT DOCUMENTS**

D162,805 S 4/1951 Ferber  
D358,167 S 5/1995 Herbst  
D401,278 S \* 11/1998 Hu ..... D19/51  
D404,427 S 1/1999 Takanashi  
D442,635 S 5/2001 Izushima  
D483,066 S \* 12/2003 Takanashi ..... D19/43  
D484,537 S \* 12/2003 Arita et al. .... D19/43  
D487,776 S \* 3/2004 Keda ..... D19/57  
D497,950 S \* 11/2004 Takanashi ..... D19/43  
D562,387 S \* 2/2008 Qiu et al. .... D19/44  
D569,437 S \* 5/2008 Shimizu ..... D19/57  
D576,677 S \* 9/2008 Jeon ..... D19/50

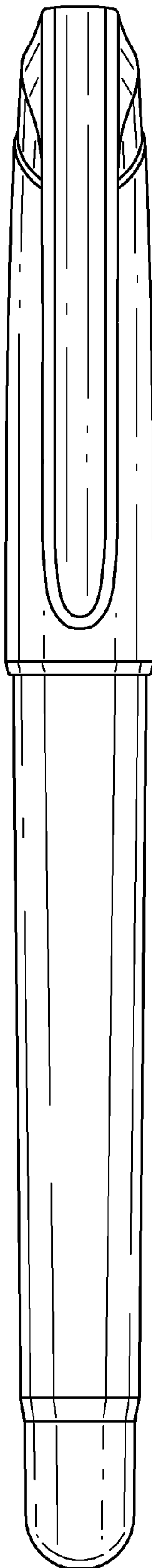
FIG. 1 is a front right perspective view of a pen showing my new design;  
FIG. 2 is a front elevation view thereof;  
FIG. 3 is a rear elevation view thereof;  
FIG. 4 is a left side elevation view thereof, with the right side elevation view being a mirror image of the left side elevation view;  
FIG. 5 is an enlarged top plan view thereof; and,  
FIG. 6 is an enlarged bottom plan view thereof.  
The broken lines shown in FIG. 6 illustrate environmental subject matter and form no part of the claimed design.

**1 Claim, 4 Drawing Sheets**

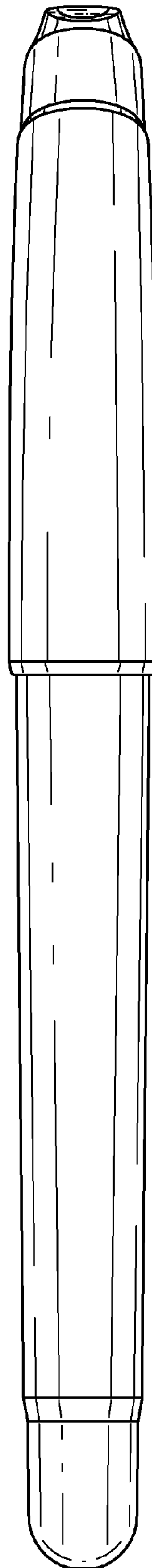




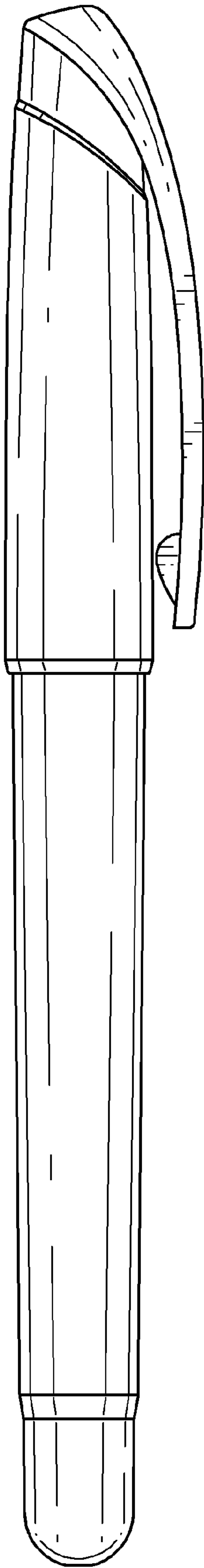
*Fig. 1*



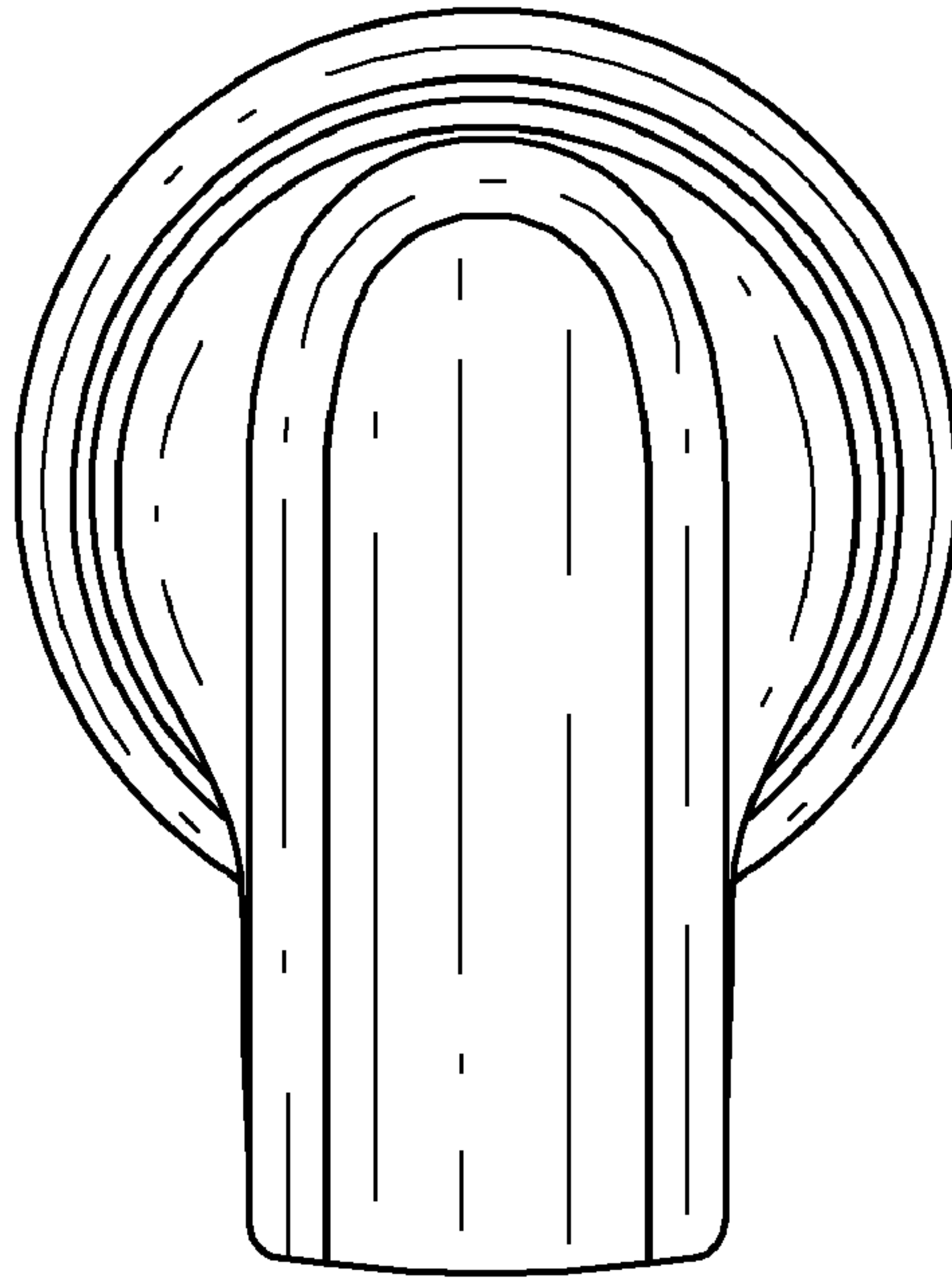
*Fig. 2*



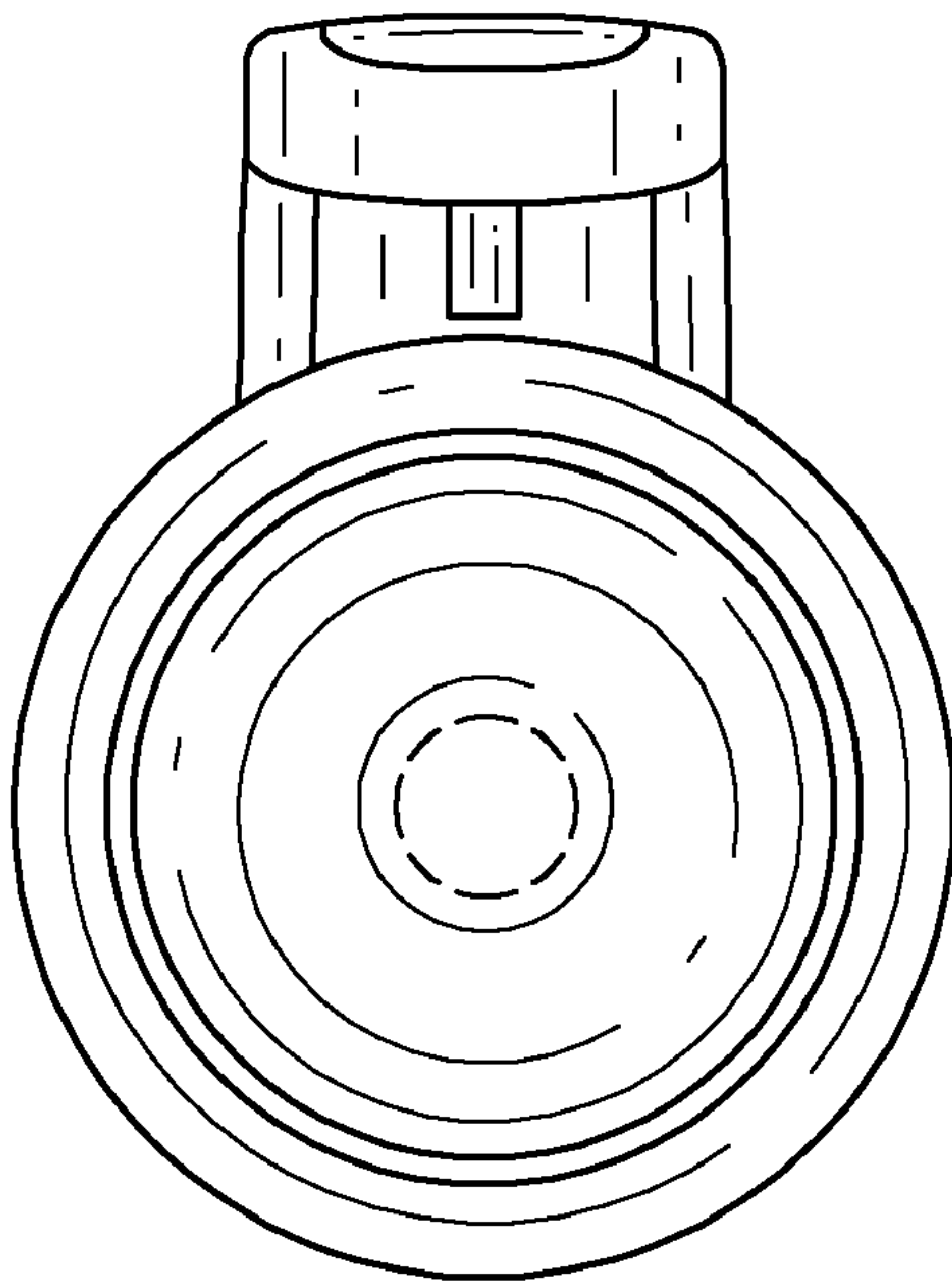
*Fig. 3*



*Fig. 4*



*Fig. 5*



*Fig. 6*