



US00D673209S

(12) **United States Design Patent**
Reboul

(10) **Patent No.:** **US D673,209 S**

(45) **Date of Patent:** **** Dec. 25, 2012**

(54) **STRING TUNING MECHANISM**

(76) Inventor: **Laurent Reboul**, San Anselmo, CA
(US)

(**) Term: **14 Years**

(21) Appl. No.: **29/388,466**

(22) Filed: **Mar. 29, 2011**

(51) **LOC (9) Cl.** **17-03**

(52) **U.S. Cl.** **D17/20**

(58) **Field of Classification Search** D17/20,
D17/21, 99, 14; 84/214, 314 R, 317, 318,
84/453-455

See application file for complete search history.

(56) **References Cited**

U.S. PATENT DOCUMENTS

D206,460	S	*	12/1966	Thompson	D17/20
D210,981	S	*	5/1968	Thompson	D17/20
D216,049	S	*	11/1969	Dreyer	D17/20
D249,583	S	*	9/1978	Worthing et al.	D17/20
D280,523	S	*	9/1985	Smith	D17/20
D280,524	S	*	9/1985	Smith	D17/20
D300,537	S	*	4/1989	Powers et al.	D17/20
D311,414	S	*	10/1990	Smith et al.	D17/20
D355,668	S	*	2/1995	Reagan	D17/21
D386,778	S	*	11/1997	Goto	D17/20
D388,817	S	*	1/1998	Kang	D17/20
D389,508	S	*	1/1998	Kang	D17/20
2008/0276787	A1	*	11/2008	Adams	84/304

* cited by examiner

Primary Examiner — Ian Simmons

Assistant Examiner — Carissa C Fitts

(74) *Attorney, Agent, or Firm* — Steven A. Nielsen; Allman & Nielsen, P.C.

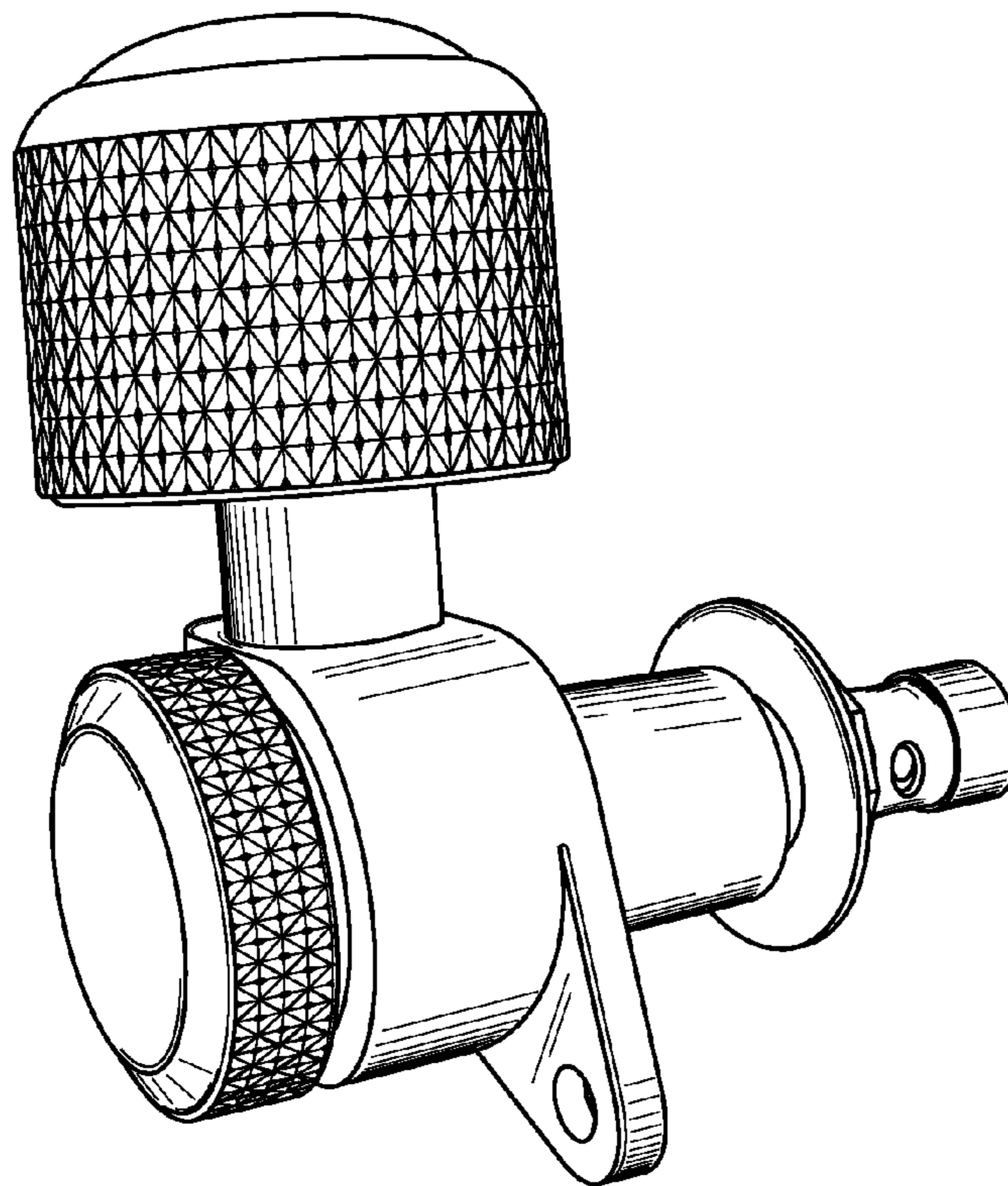
(57) **CLAIM**

The ornamental design for a string tuning mechanism, as shown and described.

DESCRIPTION

FIG. 1 is a front and side perspective view of a string tuning mechanism showing my new design; FIG. 2 is a left side view thereof; FIG. 3 is a right side view thereof; FIG. 4 is a back side view thereof; FIG. 5 is a front side view thereof; FIG. 6 is a top side view thereof; FIG. 7 is a bottom side view thereof; FIG. 8 is a back view of the string tuning mechanism installed into a guitar headstock; FIG. 9 is a front view of the string tuning mechanism installed into a guitar headstock; and, FIG. 10 is a front view of the string mechanism installed in to an alternative guitar headstock. The broken line showing in FIGS. 8-10 is for environmental purposes only and forms no part of the claimed design.

1 Claim, 10 Drawing Sheets



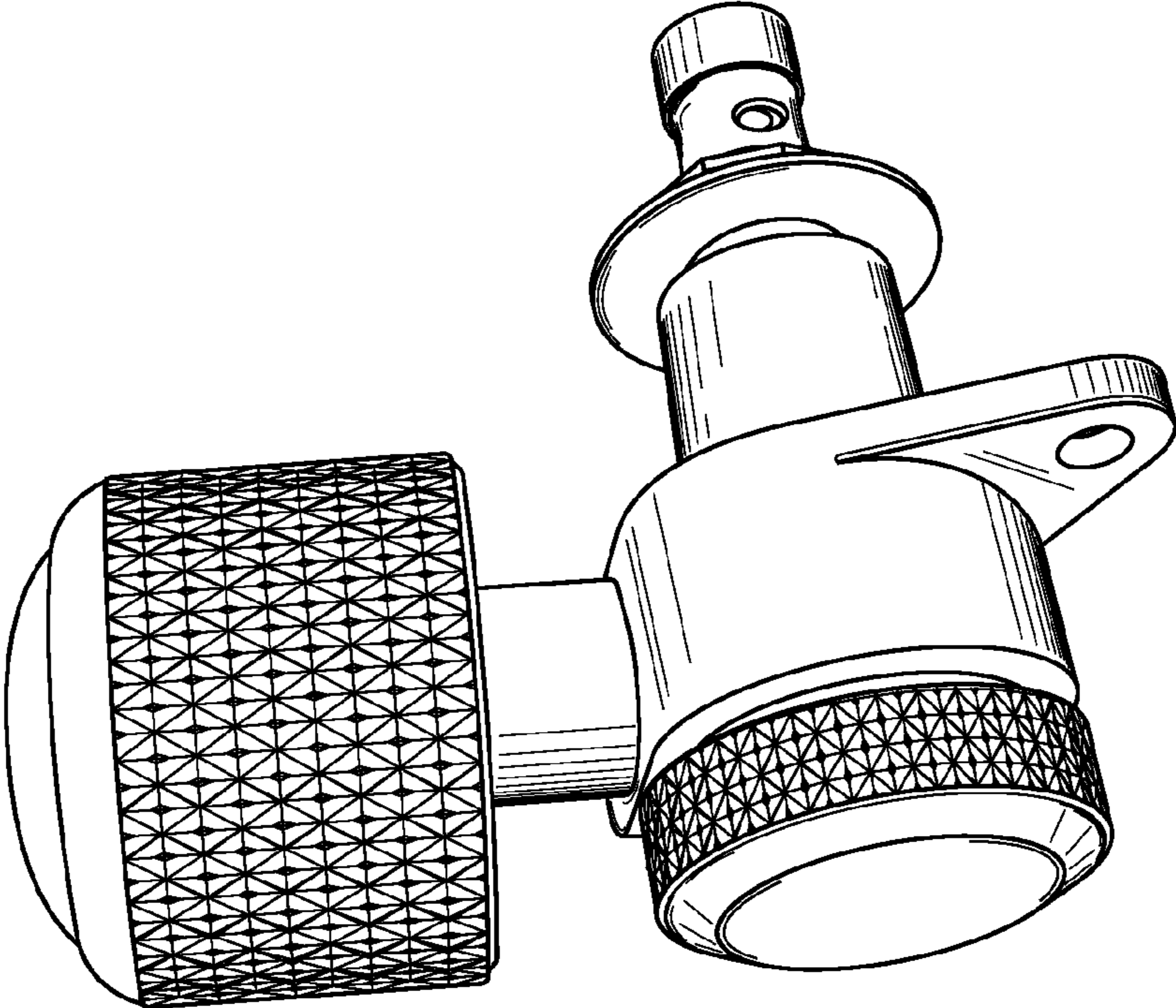


Fig. 1

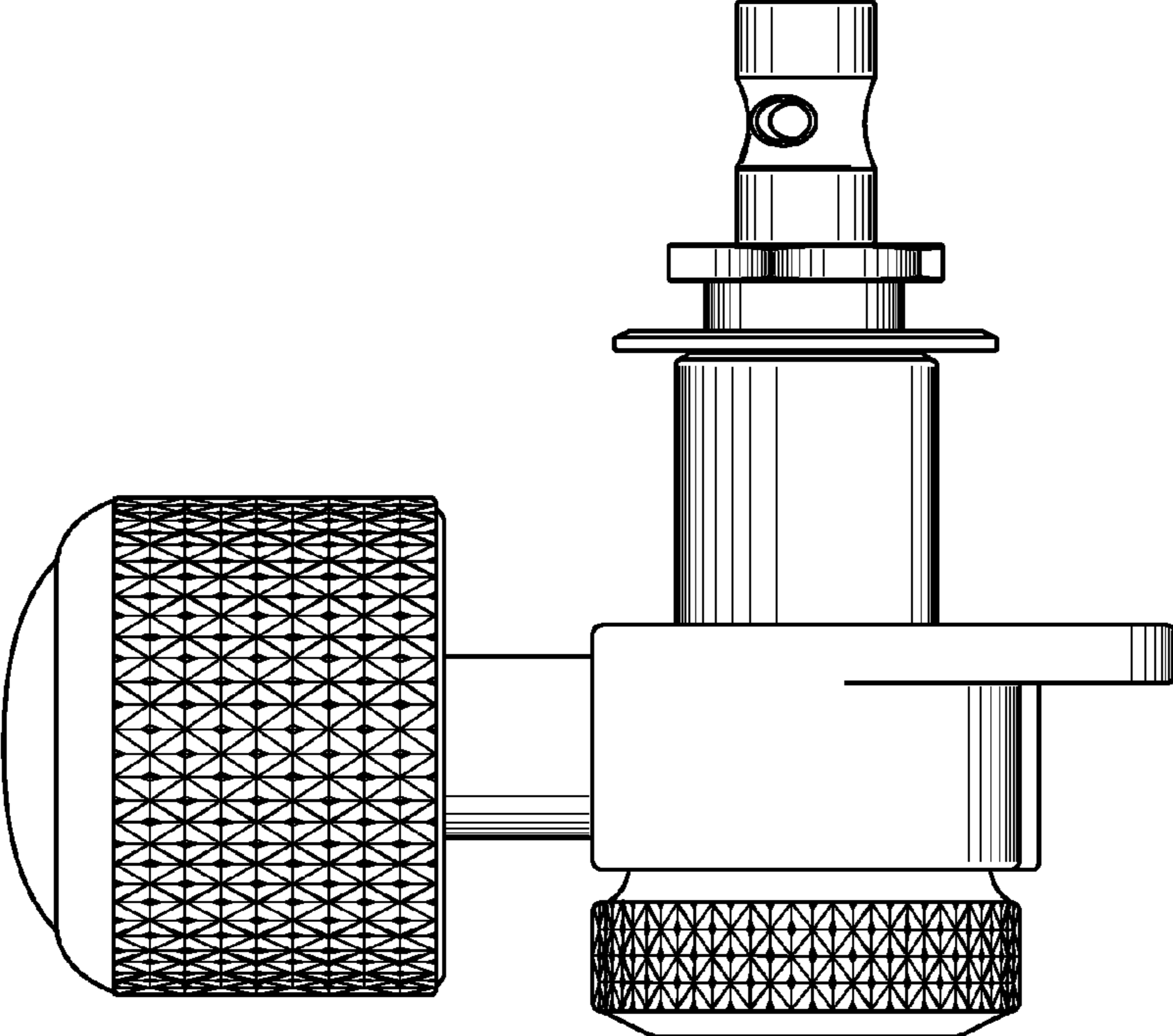


Fig. 2

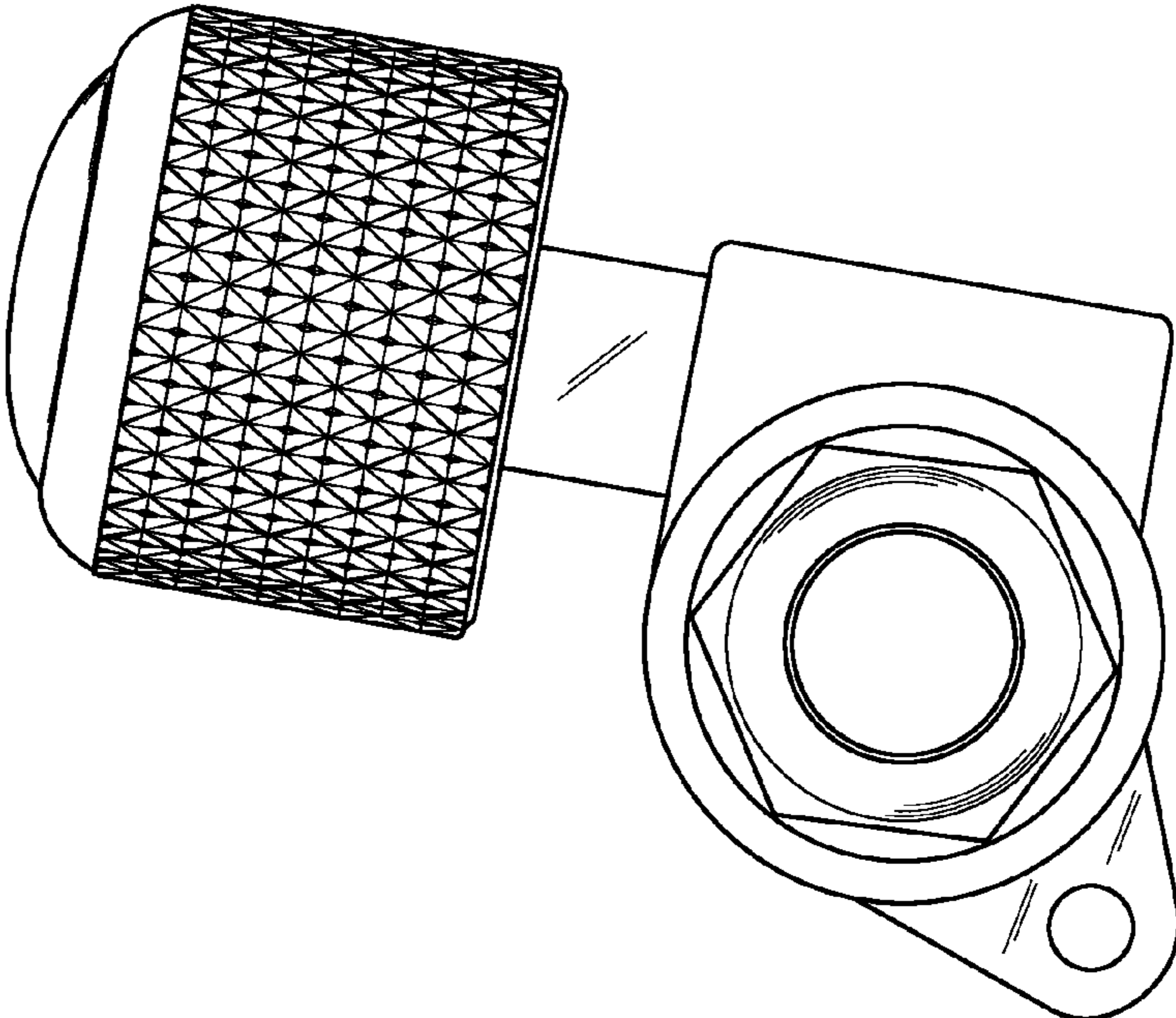


Fig. 3

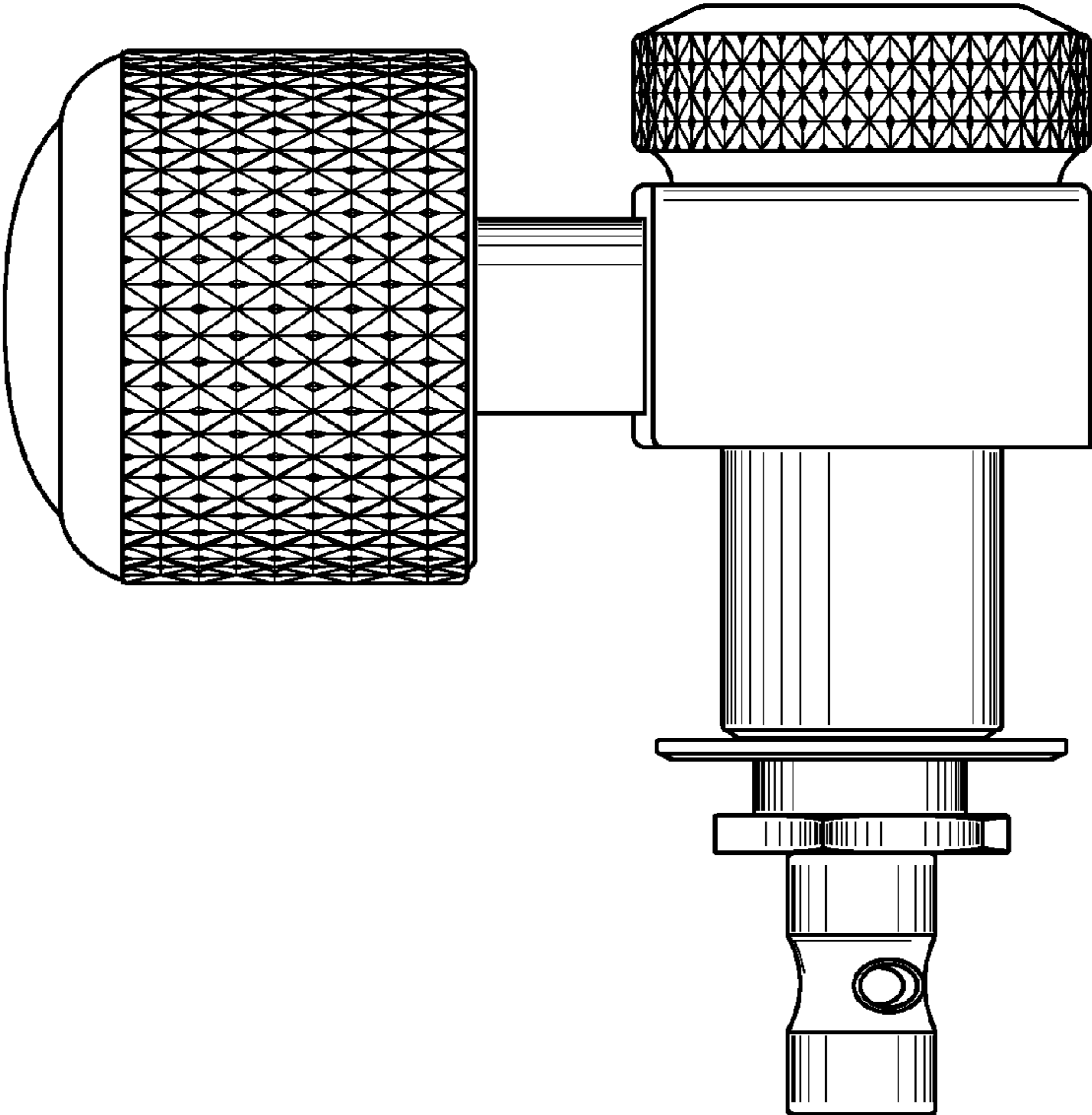


Fig. 4

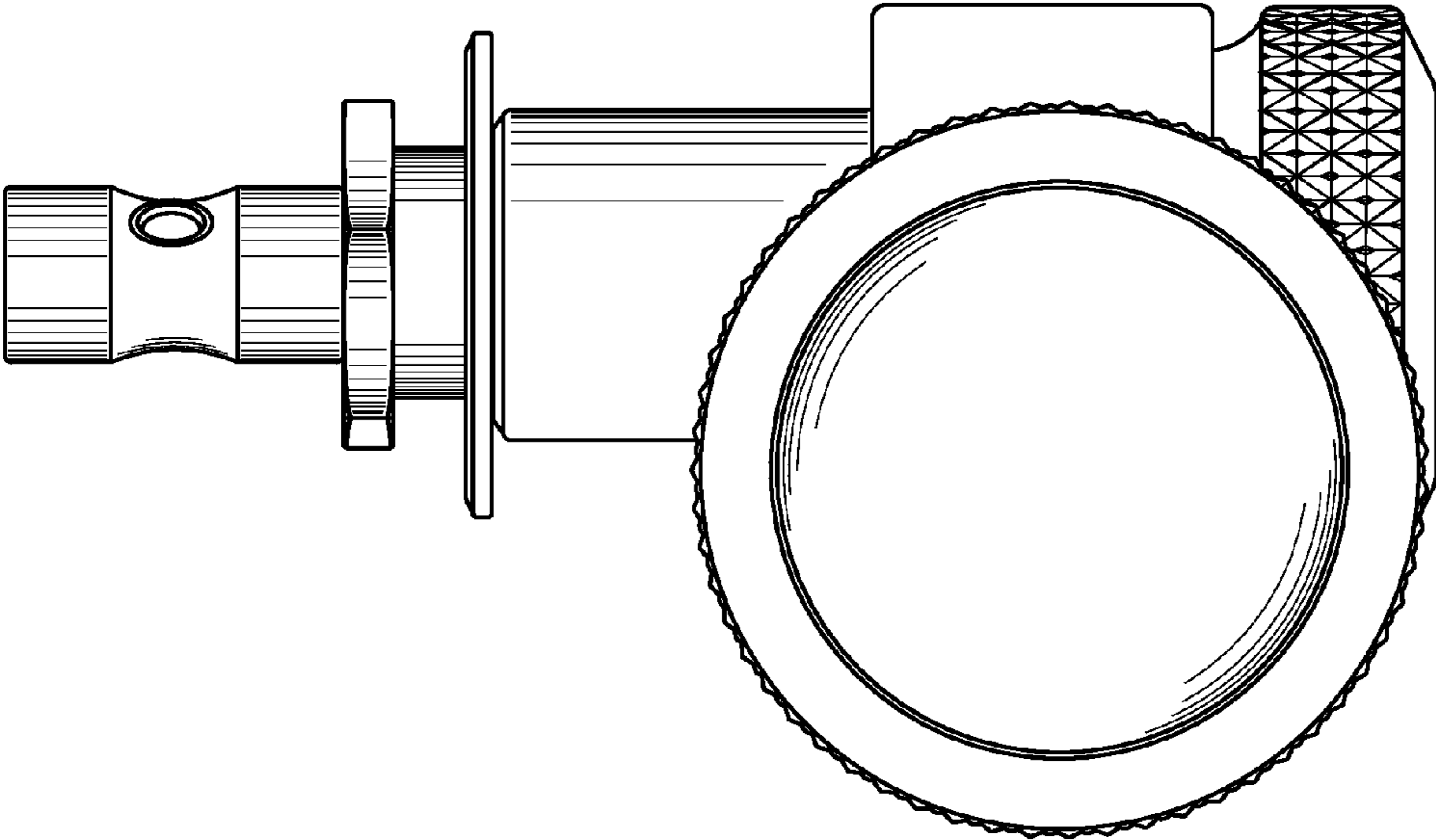


Fig. 5

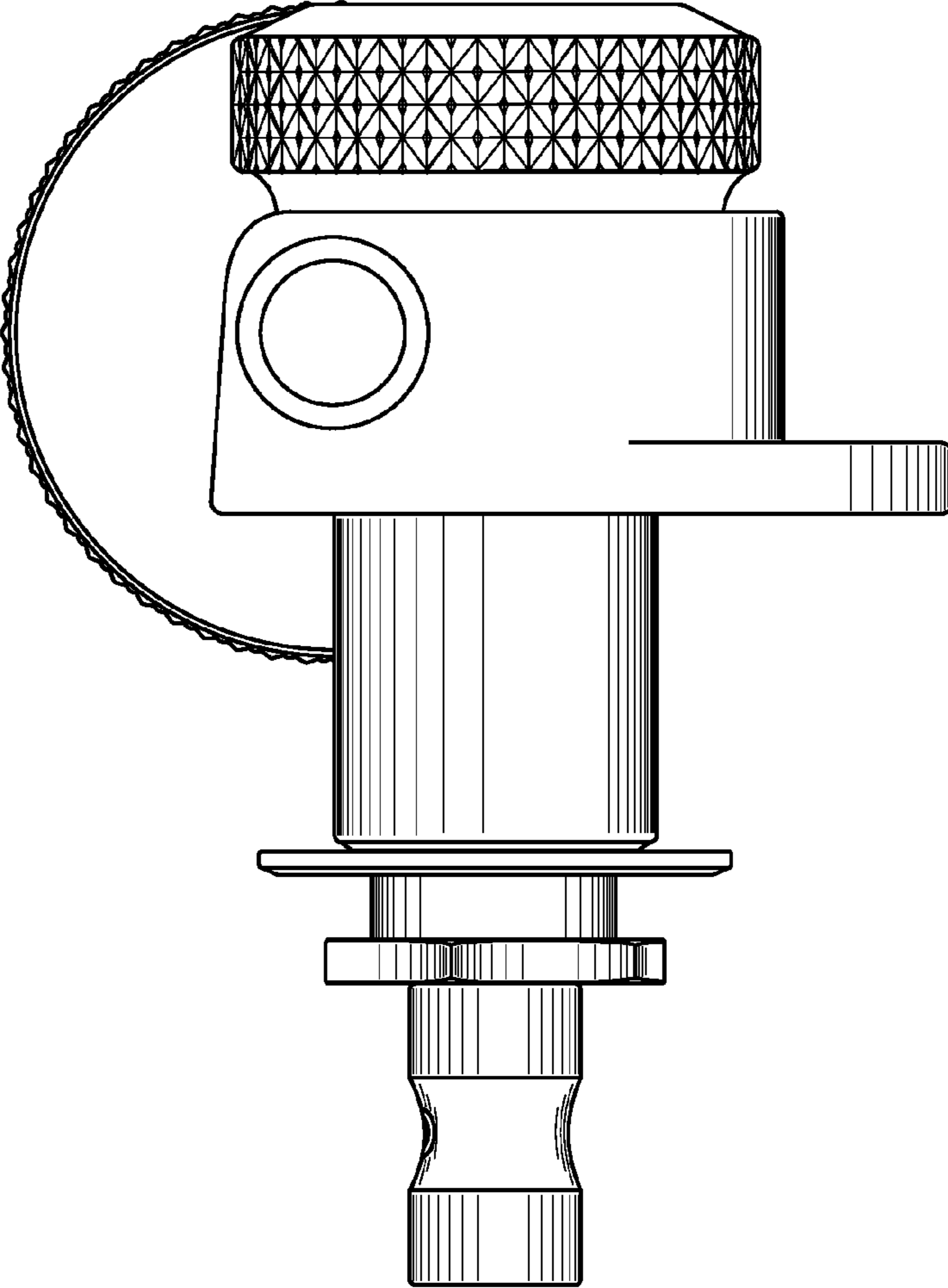


Fig. 6

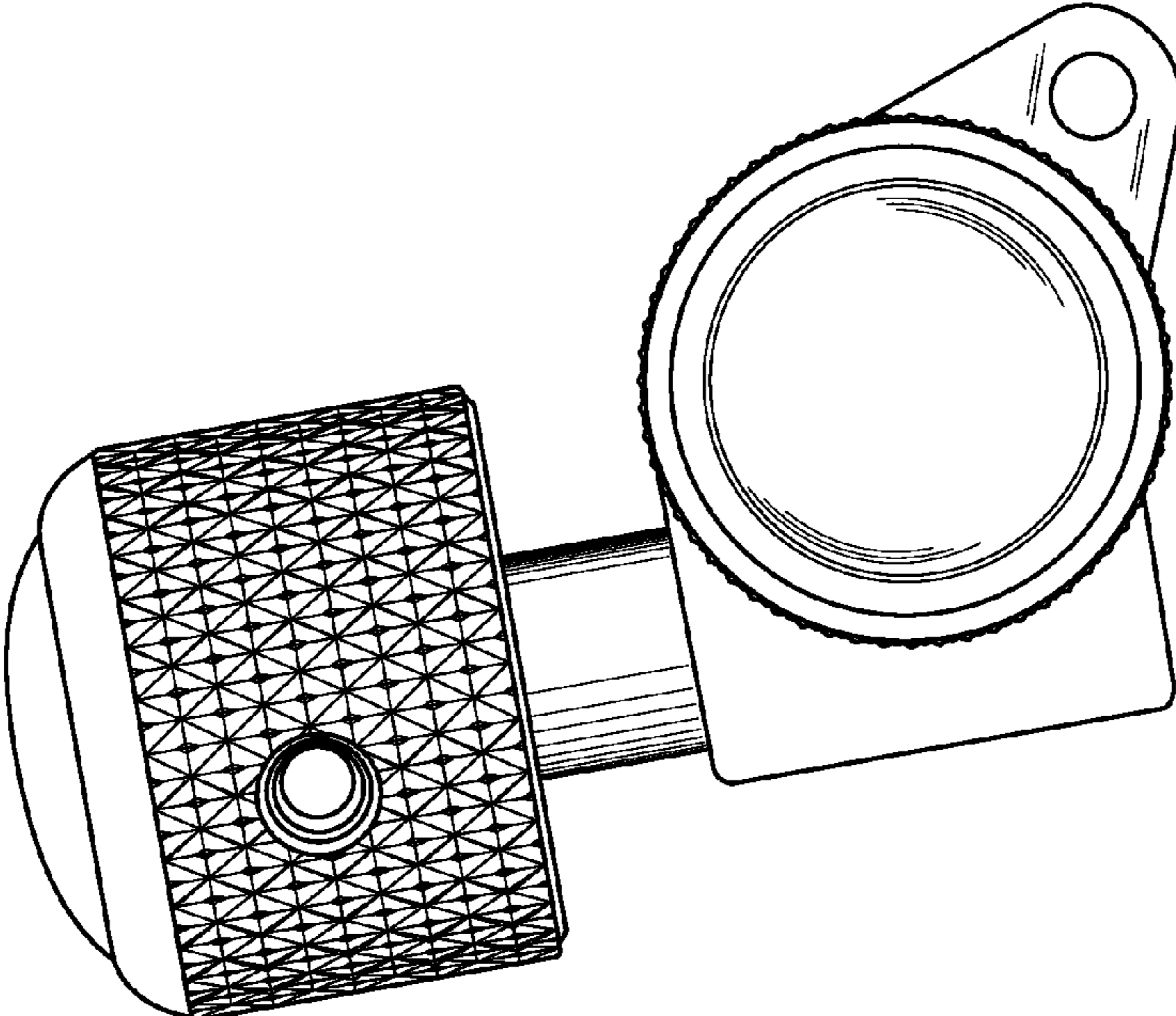


Fig. 7

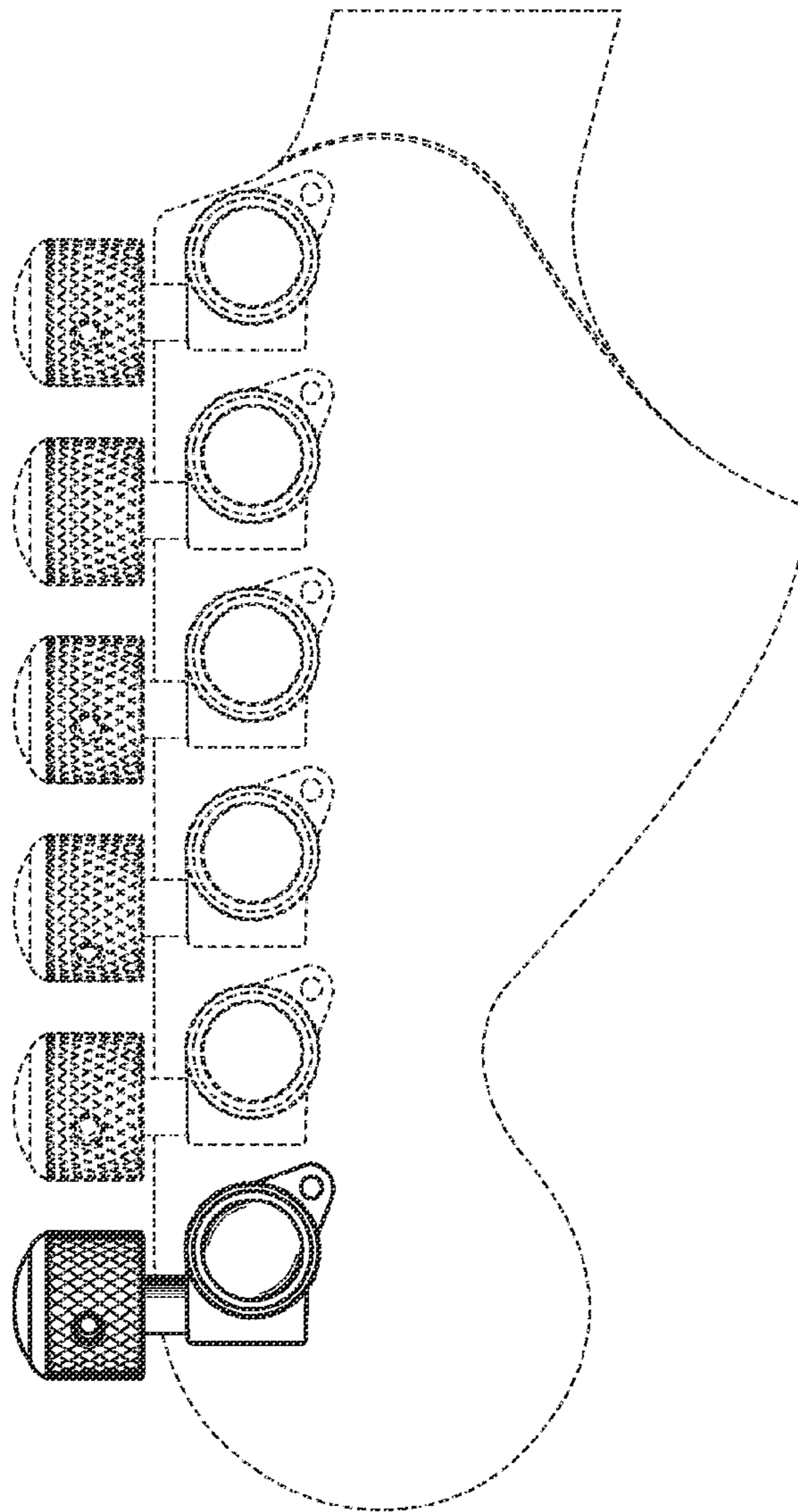


Fig. 8

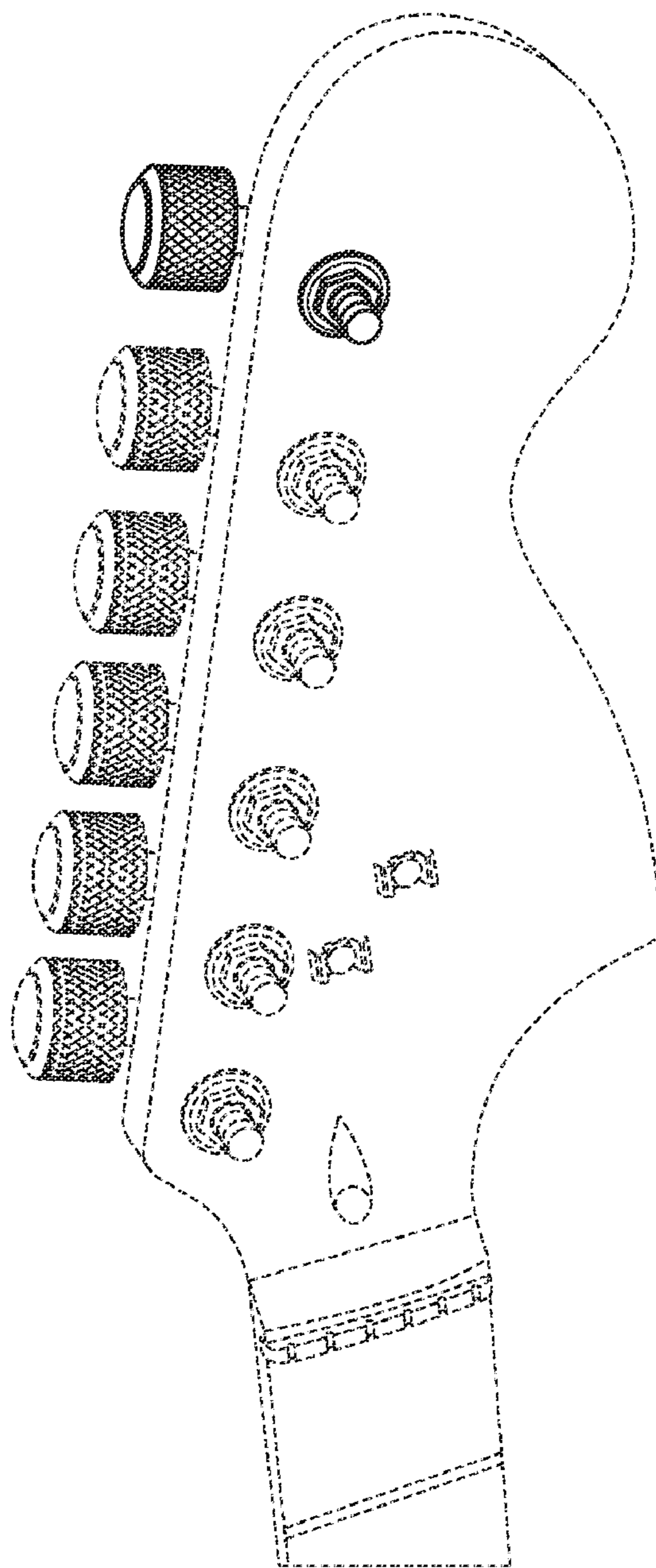


Fig. 9

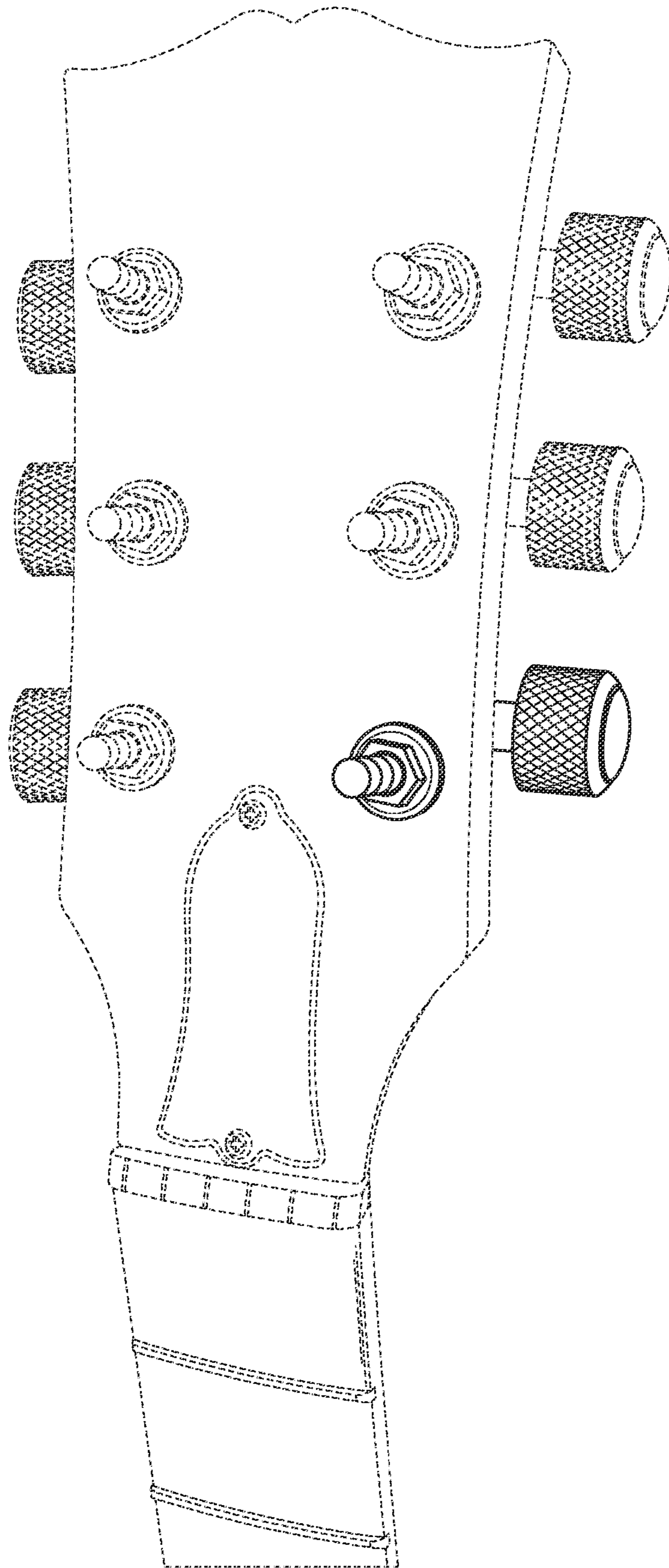


Fig. 10