



US00D673207S

(12) **United States Design Patent**  
**Miura et al.**

(10) **Patent No.:** **US D673,207 S**

(45) **Date of Patent:** **\*\* Dec. 25, 2012**

(54) **KEYBOARD COVER FOR ELECTRIC PIANO**

OTHER PUBLICATIONS

(75) Inventors: **Fumihiko Miura**, Hamamatsu (JP); **Ena Ito**, Hamamatsu (JP); **Riccardo Locatelli**, Acquaviva Picena (IT)

“F-110 Digital Piano”, Roland Corporation, Apr. 2009, pp. 1-2.

\* cited by examiner

(73) Assignee: **Roland Corporation**, Shizuoka-Ken (JP)

*Primary Examiner* — Ian Simmons

*Assistant Examiner* — Charles Hanson

(\*\*) Term: **14 Years**

(74) *Attorney, Agent, or Firm* — David W. Victor; Konrad Raynes Davda & Victor LLP

(21) Appl. No.: **29/351,275**

(22) Filed: **Dec. 2, 2009**

(57) **CLAIM**

The ornamental design for a keyboard cover for electric piano, as shown and described.

(30) **Foreign Application Priority Data**

Jun. 3, 2009 (JP) ..... 2009-012534

(51) **LOC (9) Cl.** ..... **17-01**

(52) **U.S. Cl.** ..... **D17/7**

(58) **Field of Classification Search** ..... D17/7,  
D17/9; D6/332; 160/135, 183, 206, 118;  
16/244

See application file for complete search history.

**DESCRIPTION**

FIG. 1 is a perspective view of a keyboard cover for electric piano showing our new design,

FIG. 2 is a reference perspective view of an electronic piano in which the keyboard lid is closed.

FIG. 3 is a front view of an electronic piano.

FIG. 4 is a front view of an electronic piano in which the keyboard lid is closed.

FIG. 5 is a rear view of an electronic piano.

FIG. 6 is a plan view of an electronic piano.

FIG. 7 is a plan view of an electronic piano showing a state in which the keyboard lid is closed.

FIG. 8 is a bottom view of an electronic piano.

FIG. 9 is a left side view of an electronic piano; and,

FIG. 10 is a right side view of an electronic piano.

The ornamental design which is claimed is shown in solid lines in the drawings. The broken lines in the drawings are for illustrative purposes only and form no part of the claimed design.

(56) **References Cited**

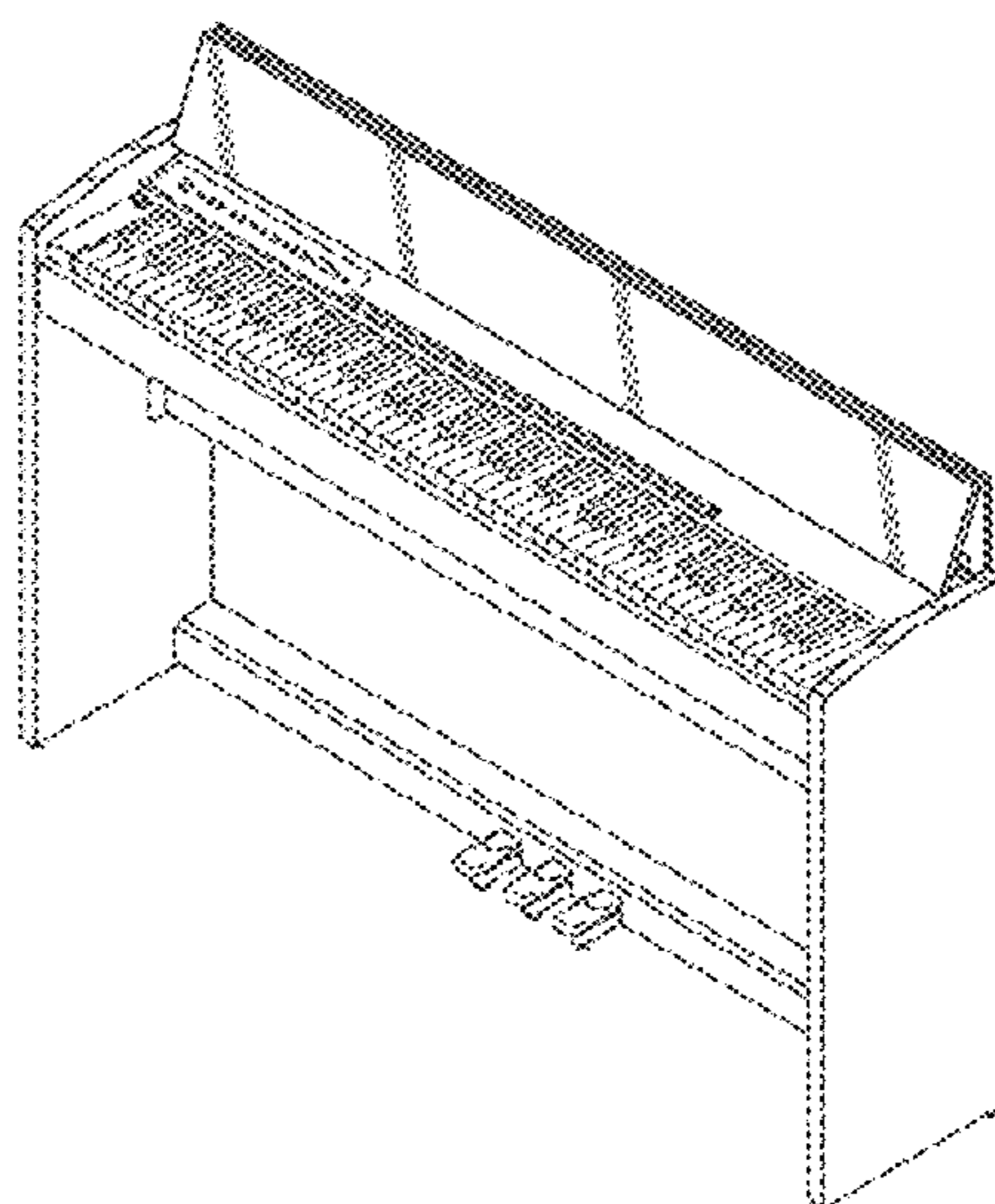
**U.S. PATENT DOCUMENTS**

3,221,804	A *	12/1965	Rudnick	.....	160/206
3,378,058	A *	4/1968	Matyas	.....	160/118
3,597,790	A *	8/1971	Kellems et al.	.....	16/244
RE30,777	E *	10/1981	Ytter	.....	160/135
5,435,372	A *	7/1995	Kikuchi	.....	160/206
D460,277	S *	7/2002	Lee	.....	D6/332
D510,592	S *	10/2005	Katsumata	.....	D17/7
D519,544	S *	4/2006	Mikage	.....	D17/9
7,290,581	B2 *	11/2007	Lee	.....	160/183
D566,165	S *	4/2008	Ito	.....	D17/7
D574,879	S *	8/2008	Onishi	.....	D17/7
D585,930	S *	2/2009	Onishi	.....	D17/7
D610,189	S *	2/2010	Henda	.....	D17/7

**FOREIGN PATENT DOCUMENTS**

JP 1329145 \* 5/2011

**1 Claim, 6 Drawing Sheets**



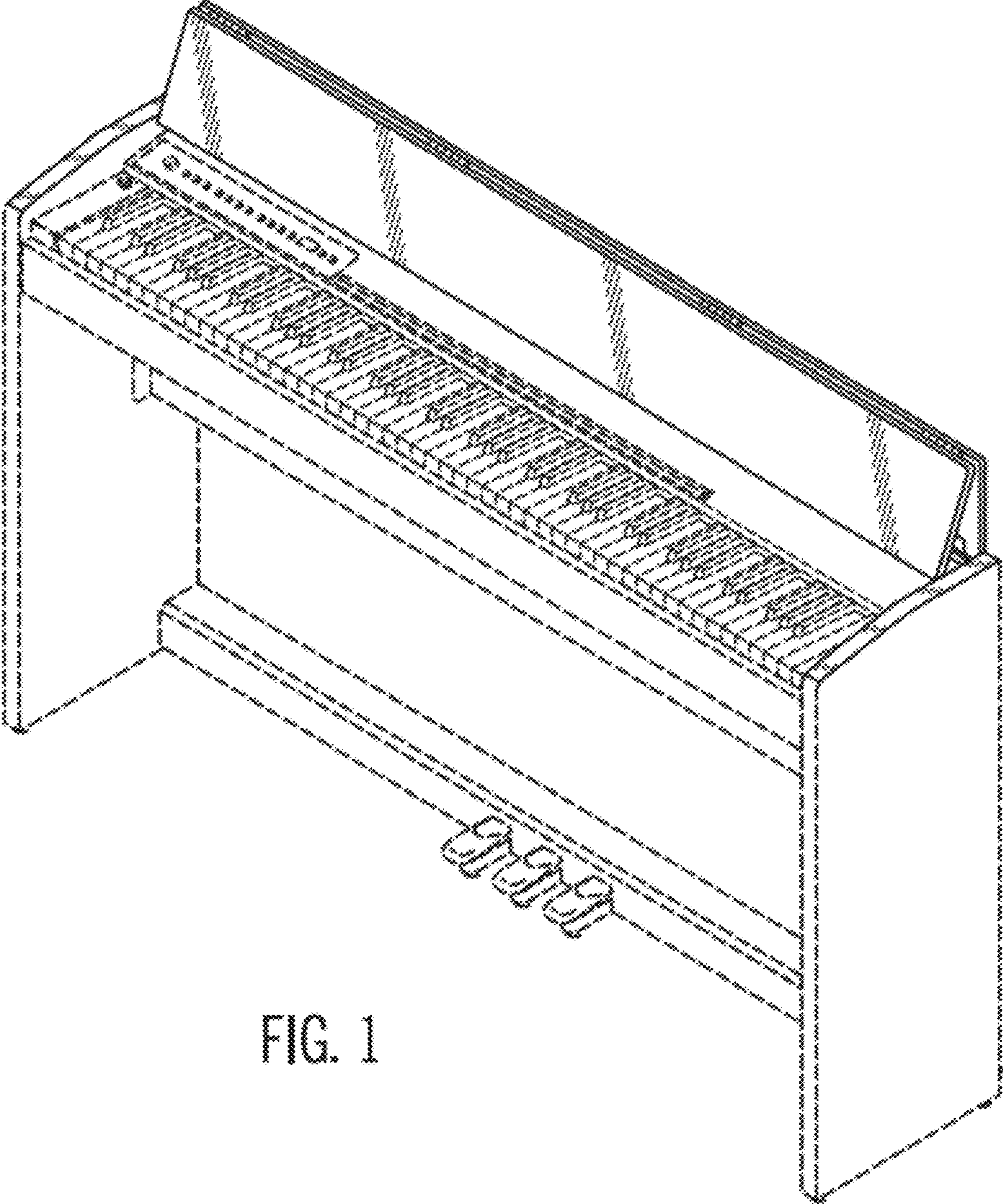


FIG. 1



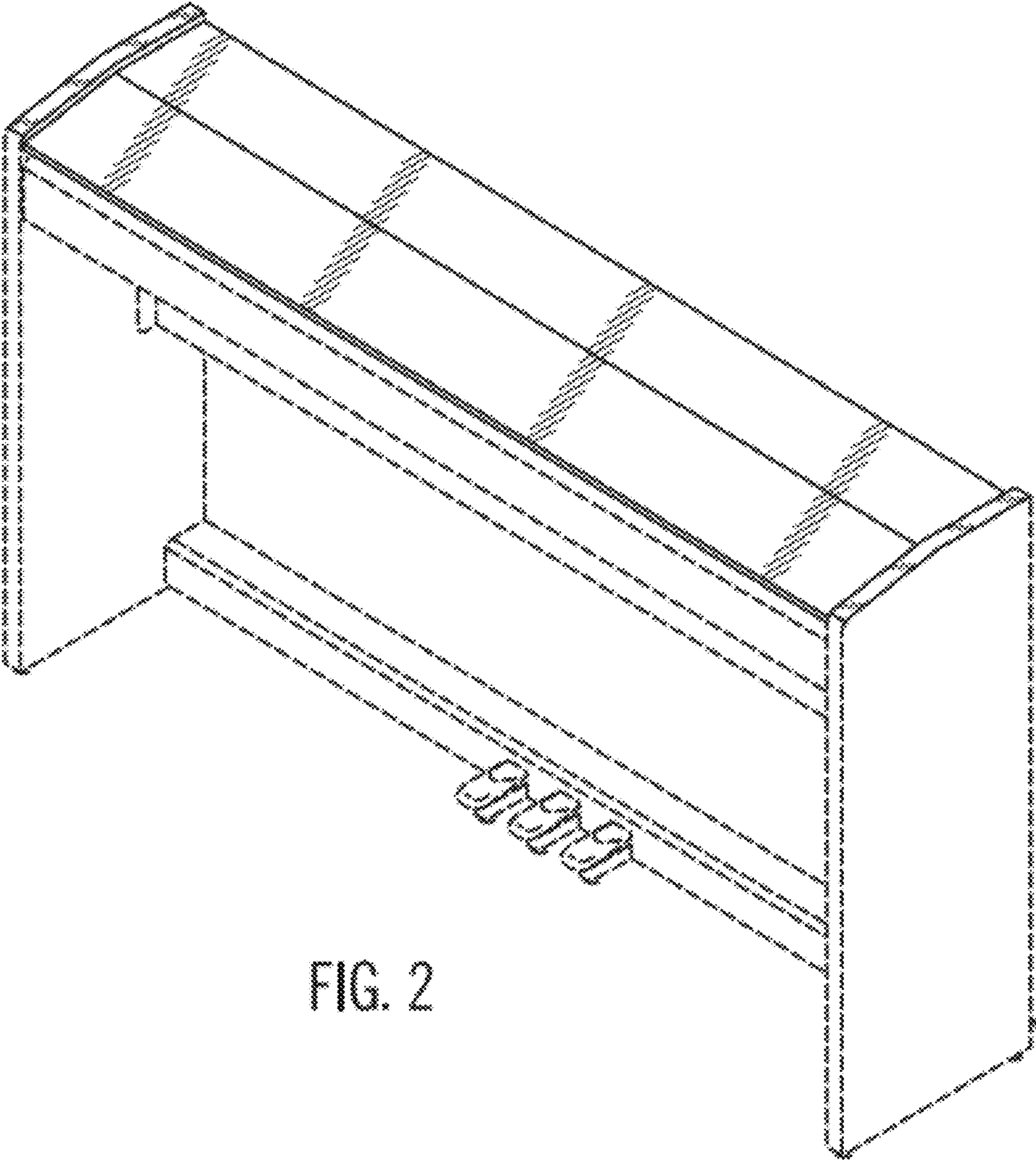


FIG. 2

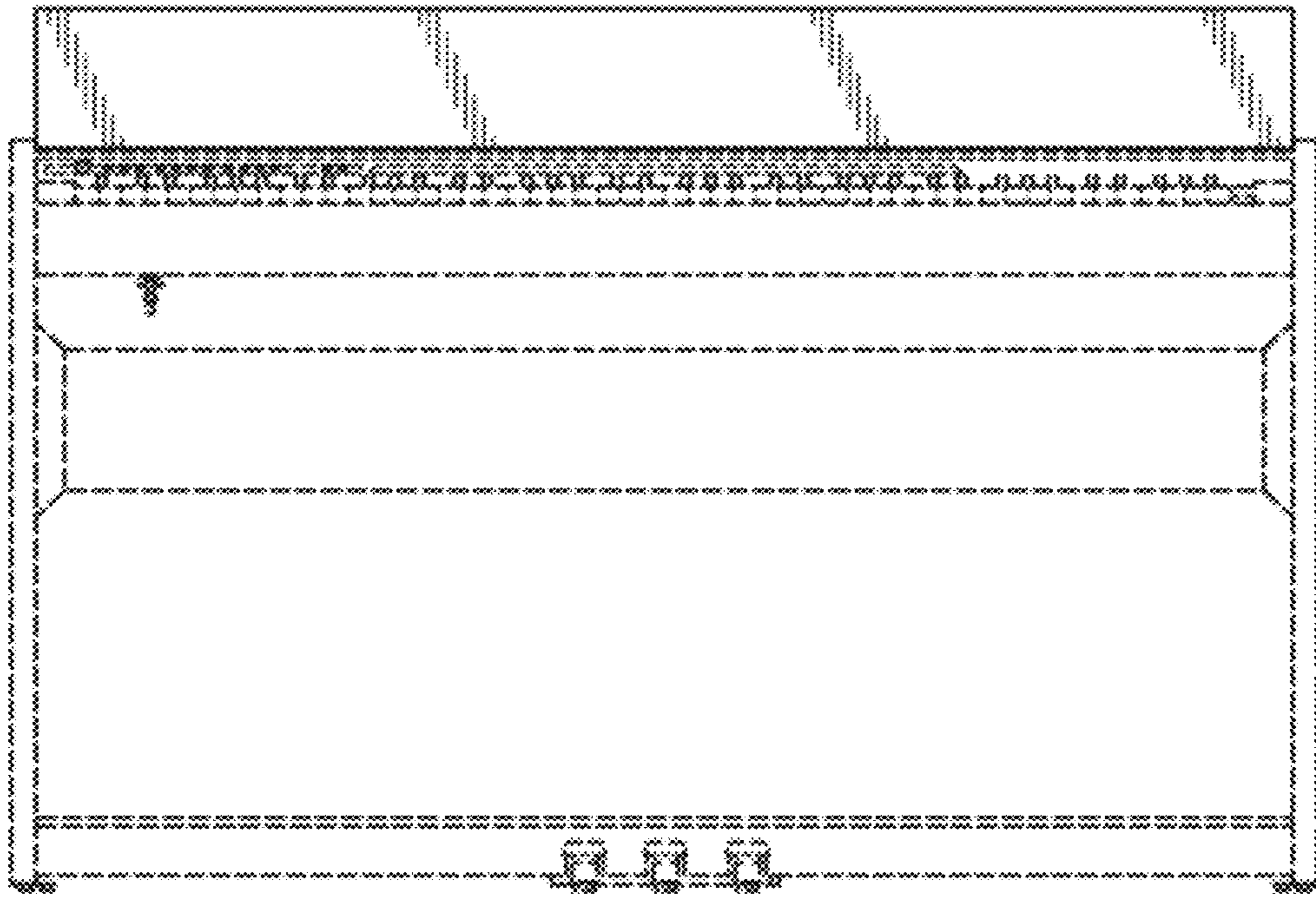


FIG. 3

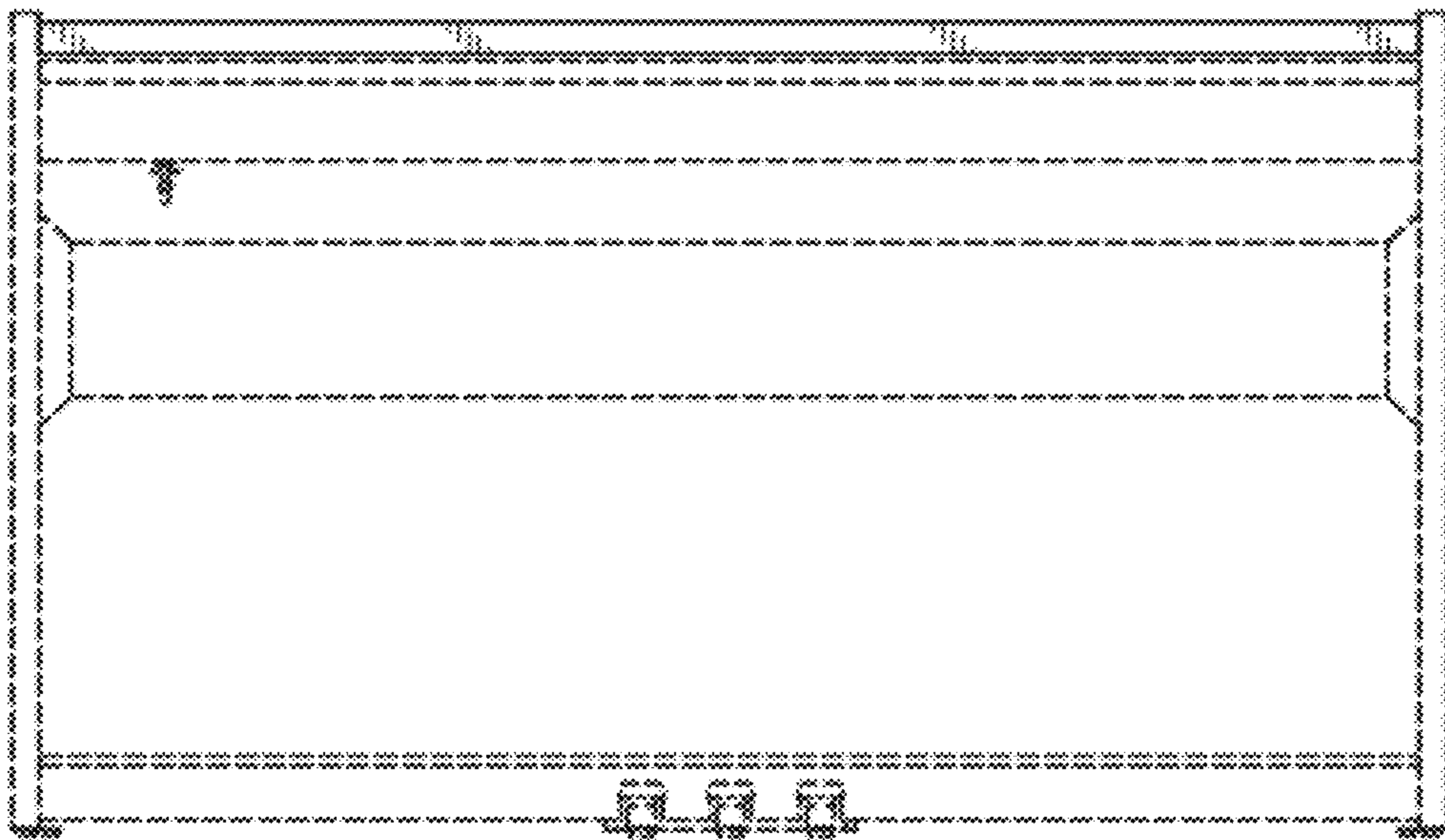


FIG. 4

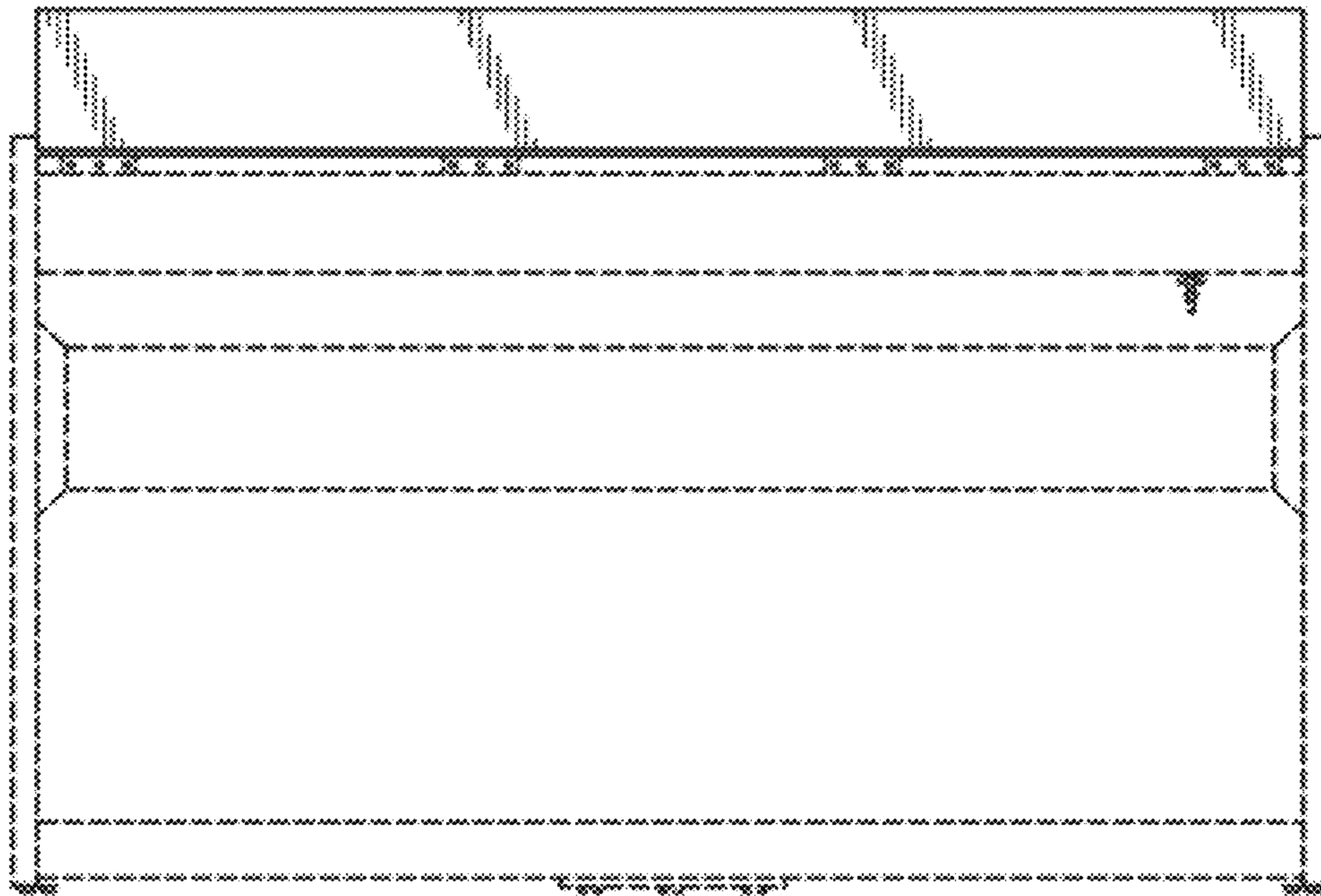


FIG. 5

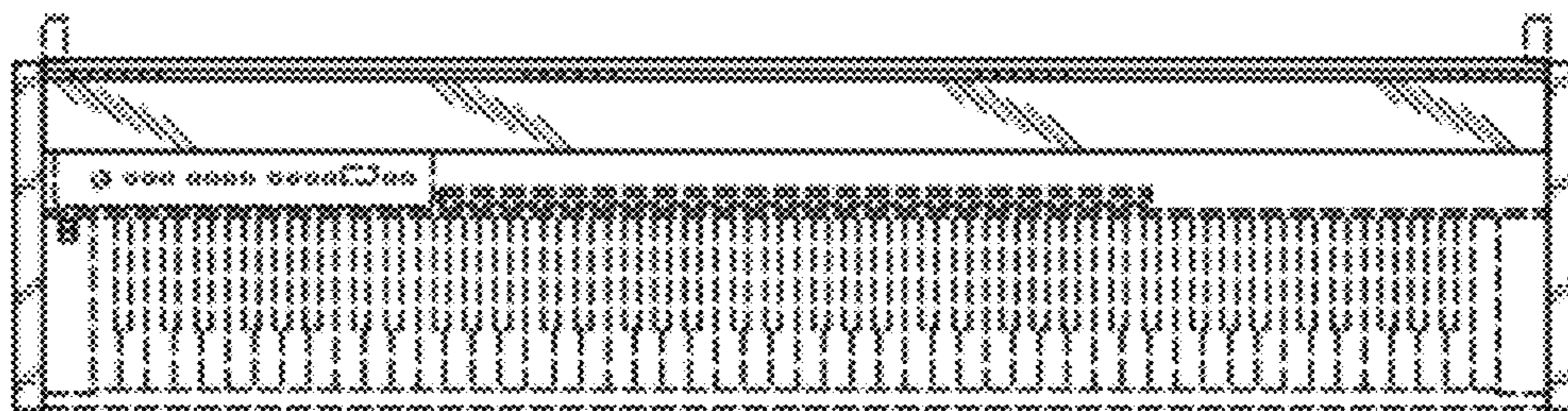


FIG. 6



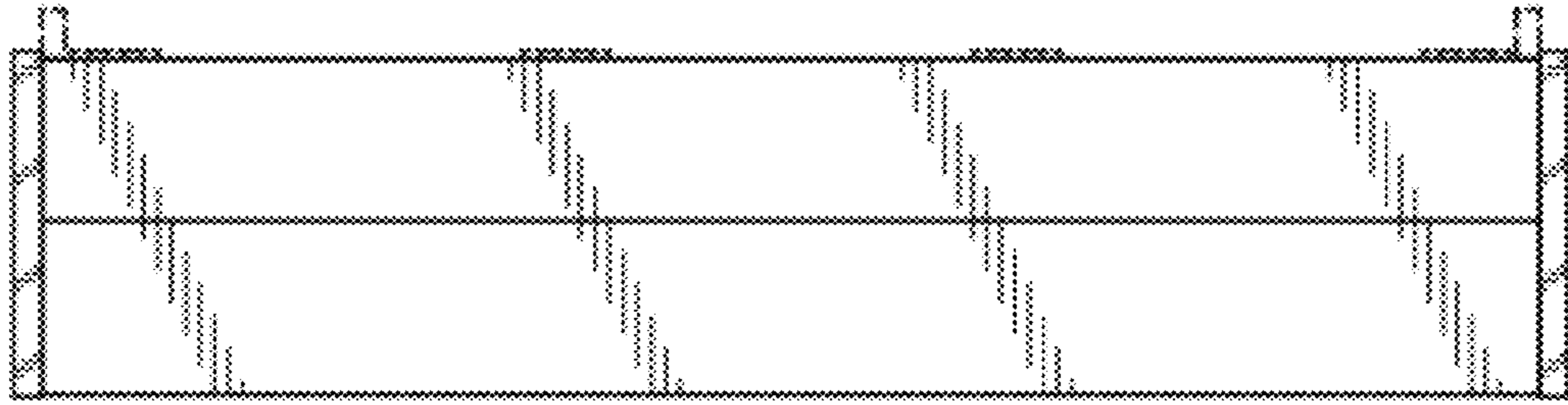


FIG. 7

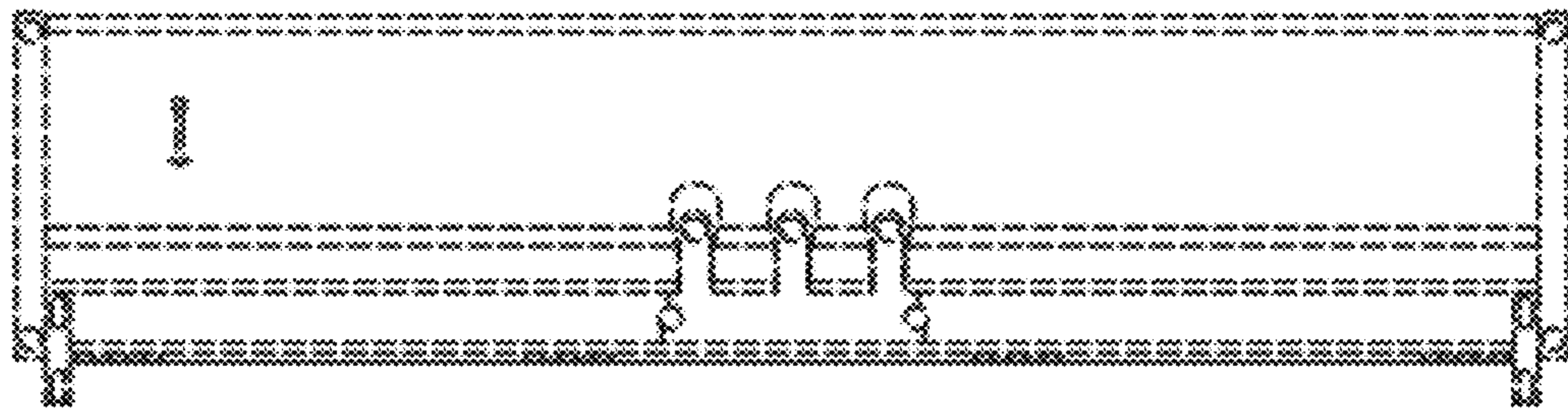


FIG. 8



FIG. 9

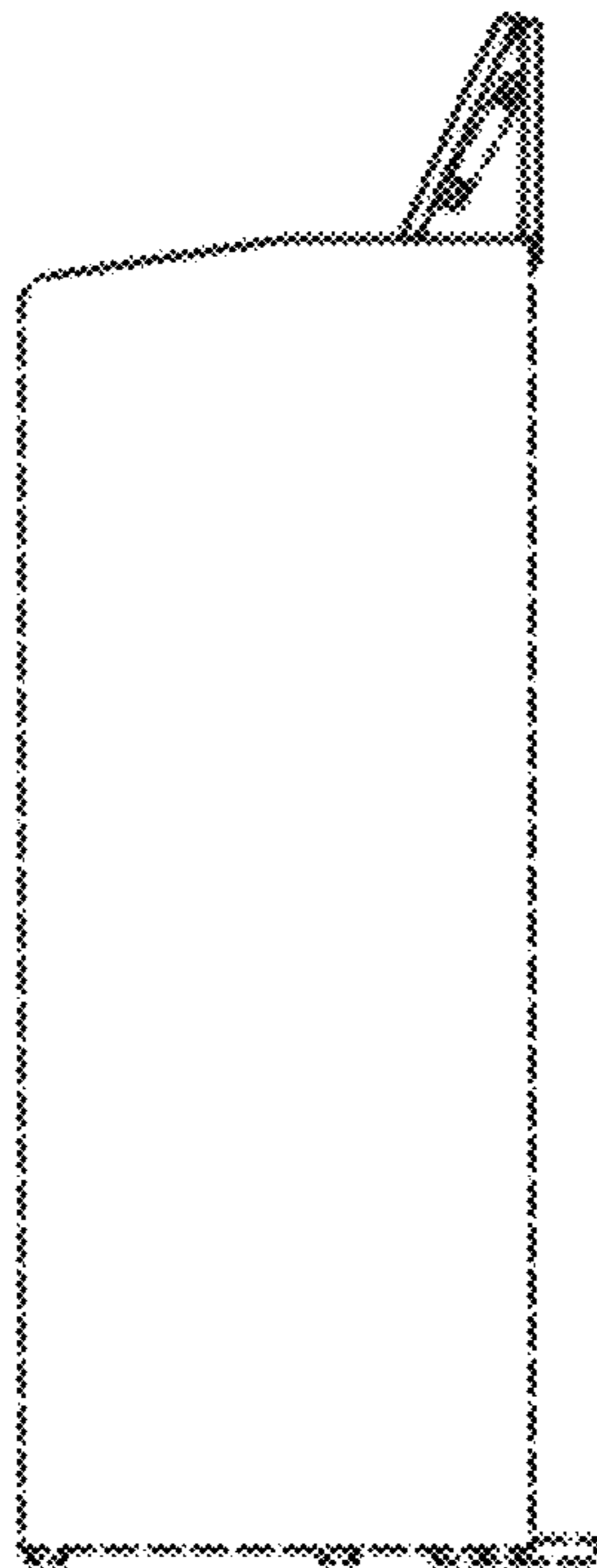


FIG. 10