



US00D673204S

(12) **United States Design Patent**
Bae et al.

(10) **Patent No.:** **US D673,204 S**

(45) **Date of Patent:** **** Dec. 25, 2012**

(54) **TRIPOD FOR CAMERA**

(75) Inventors: **JunWon Bae**, Kyungki-do (KR);
Jongchan Kwon, Kyungki-do (KR)

(73) Assignee: **Samsung Electronics Co., Ltd.**,
Suwon-si (KR)

(**) Term: **14 Years**

(21) Appl. No.: **29/384,946**

(22) Filed: **Feb. 7, 2011**

(51) **LOC (9) Cl.** **16-05**

(52) **U.S. Cl.** **D16/244**

(58) **Field of Classification Search** D16/242,
D16/244, 245; 248/168-171, 183.1, 183.2,
248/188.5, 188.7; 396/428

See application file for complete search history.

(56) **References Cited**

U.S. PATENT DOCUMENTS

D326,105 S * 5/1992 Doi D16/244
5,288,044 A * 2/1994 Chen 248/183.1

D373,133 S * 8/1996 Usui et al. D16/244
5,725,187 A * 3/1998 Vo 248/183.2
D505,442 S * 5/2005 Murray et al. D16/244
D532,436 S * 11/2006 Kruse et al. D16/244
D607,036 S * 12/2009 Darrow D16/244
2006/0086869 A1 * 4/2006 Hsieh 248/171

* cited by examiner

Primary Examiner — Adir Aronovich

(74) *Attorney, Agent, or Firm* — Ladas & Parry LLP

(57) **CLAIM**

The ornamental design for a tripod for camera, as shown.

DESCRIPTION

FIG. 1 is a top front and left-side perspective view of a tripod for camera showing our new design;

FIG. 2 is a front elevational view thereof;

FIG. 3 is a rear elevational view thereof;

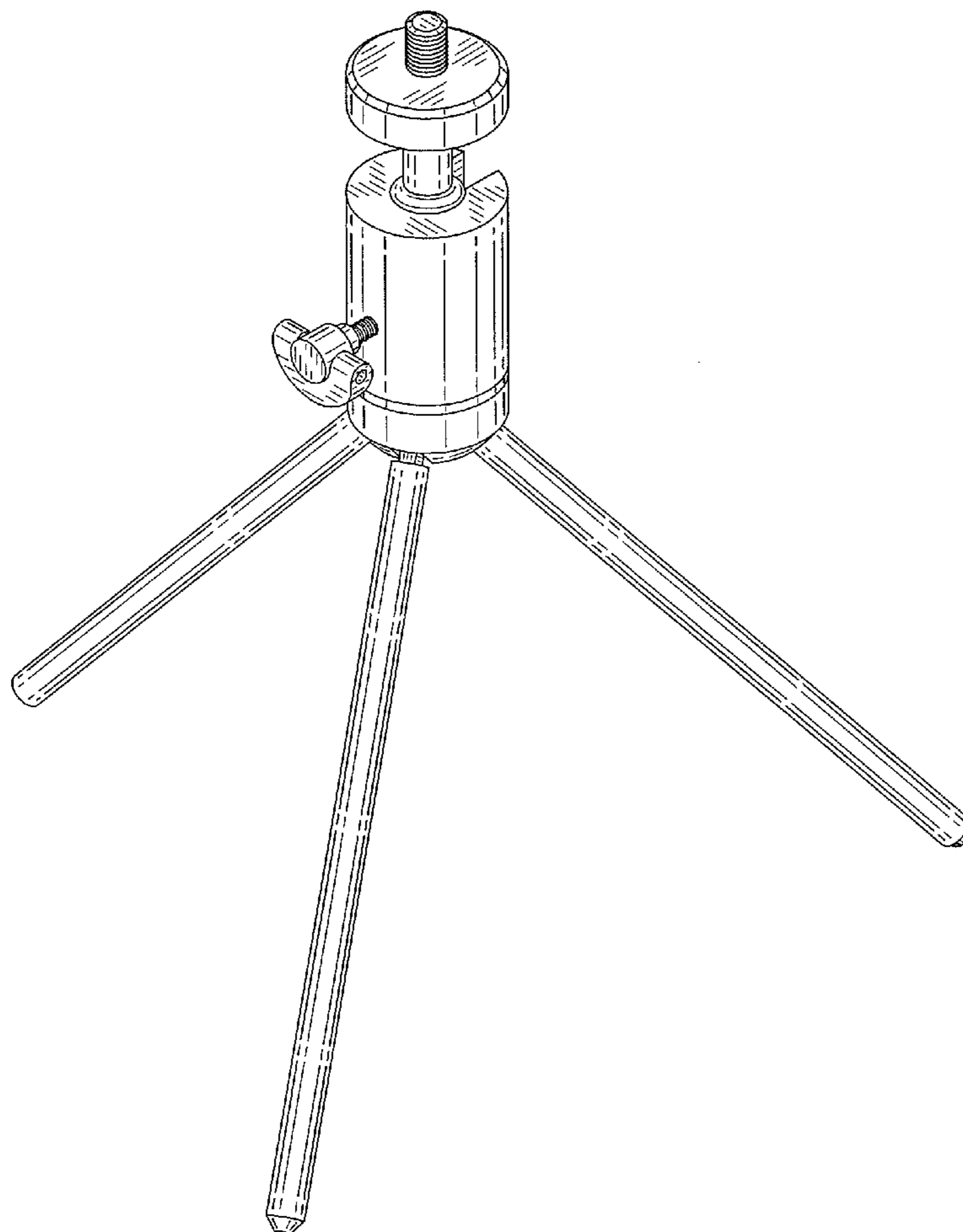
FIG. 4 is a left-side elevational view thereof;

FIG. 5 is a right-side elevational view thereof;

FIG. 6 is a top plan view thereof; and,

FIG. 7 is a bottom plan view thereof.

1 Claim, 7 Drawing Sheets



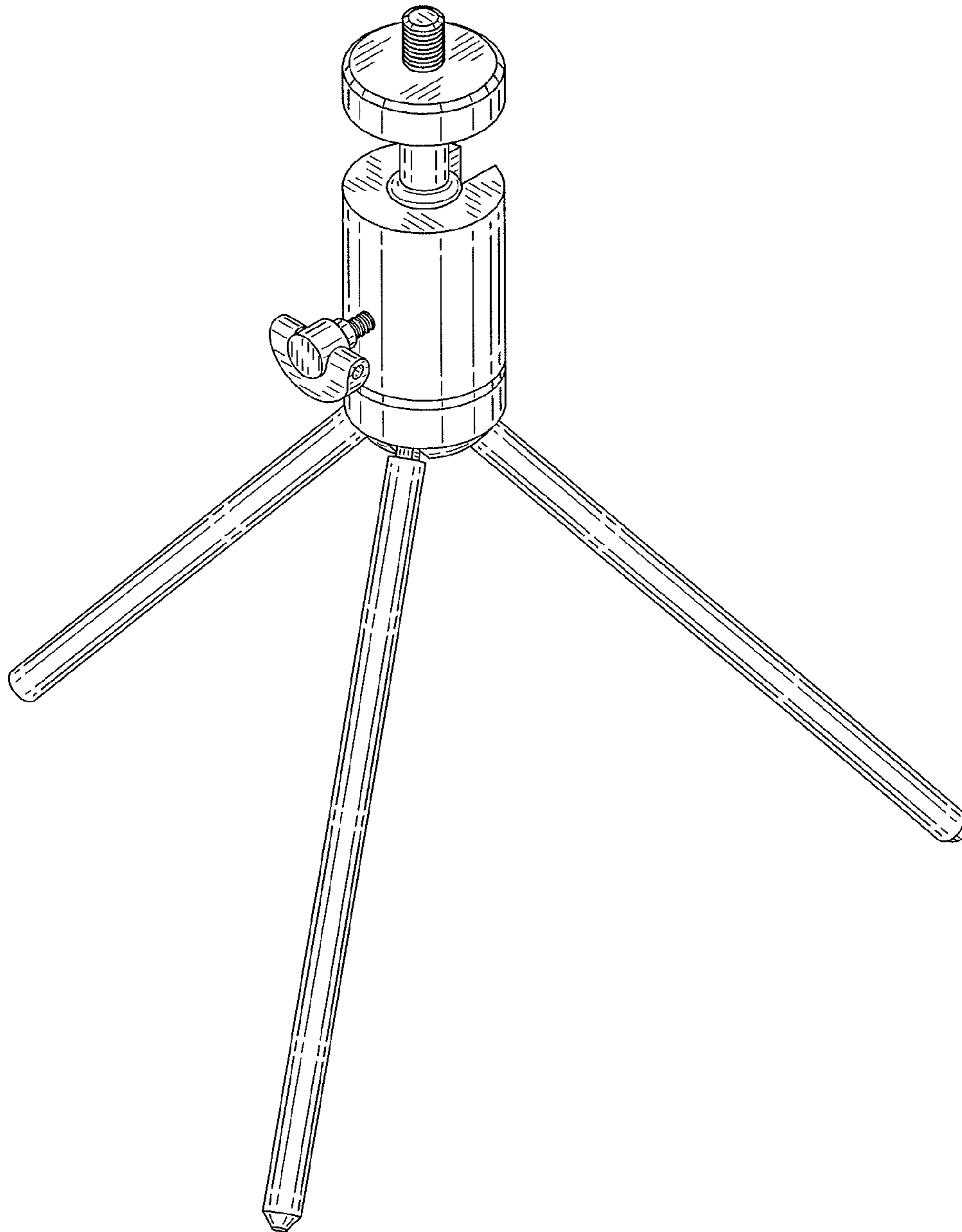


FIG. 1

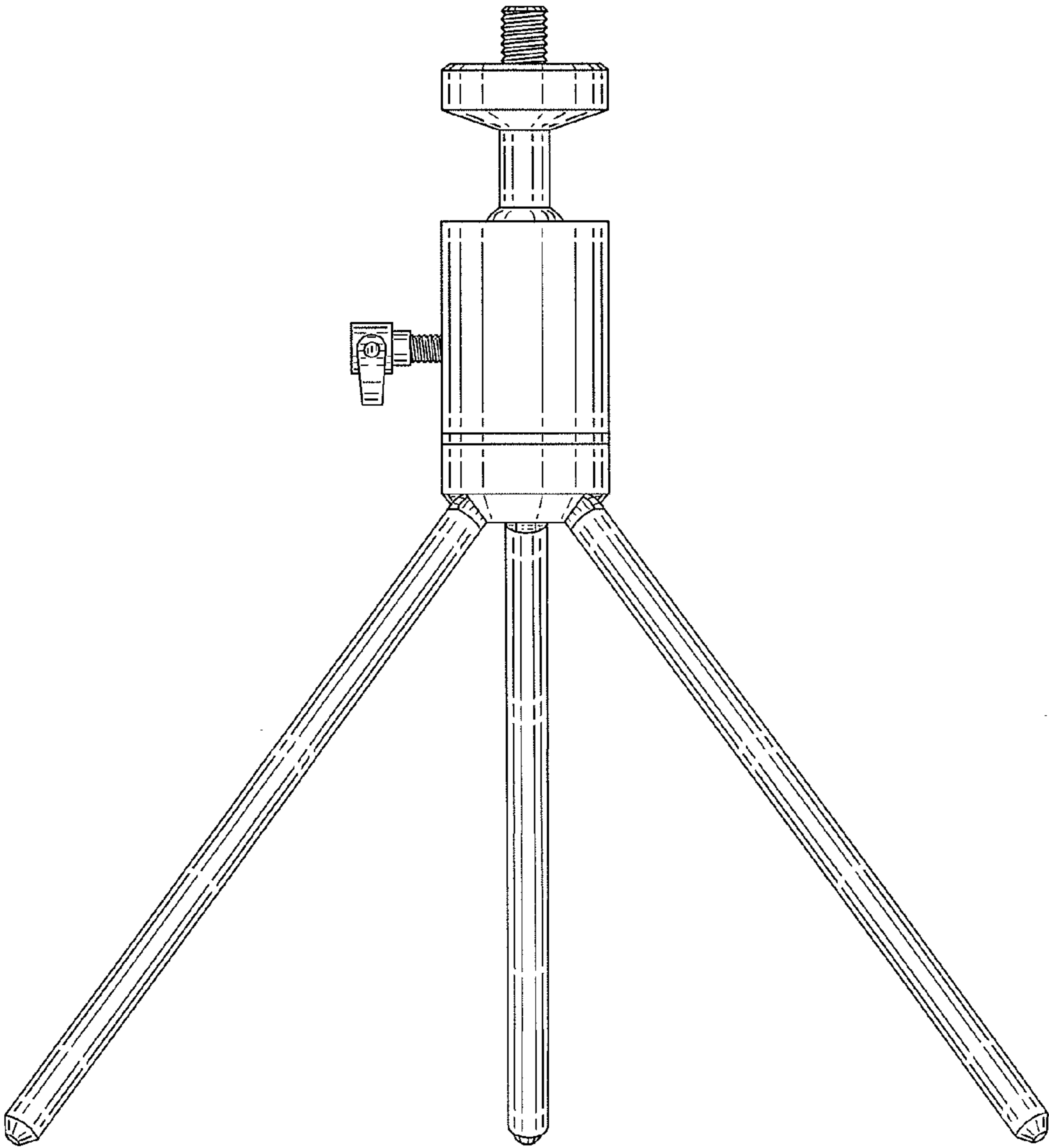


FIG. 2

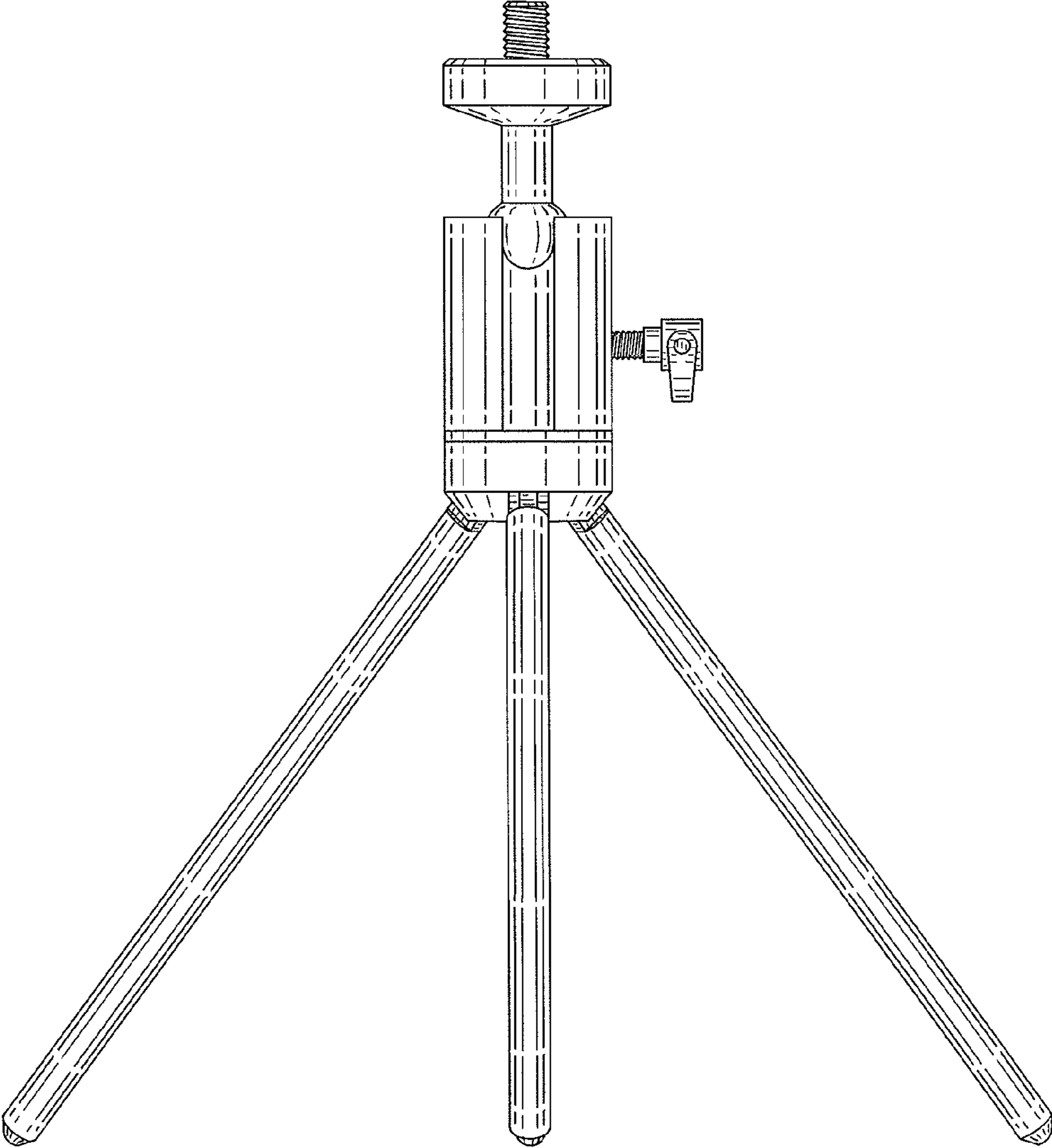


FIG. 3

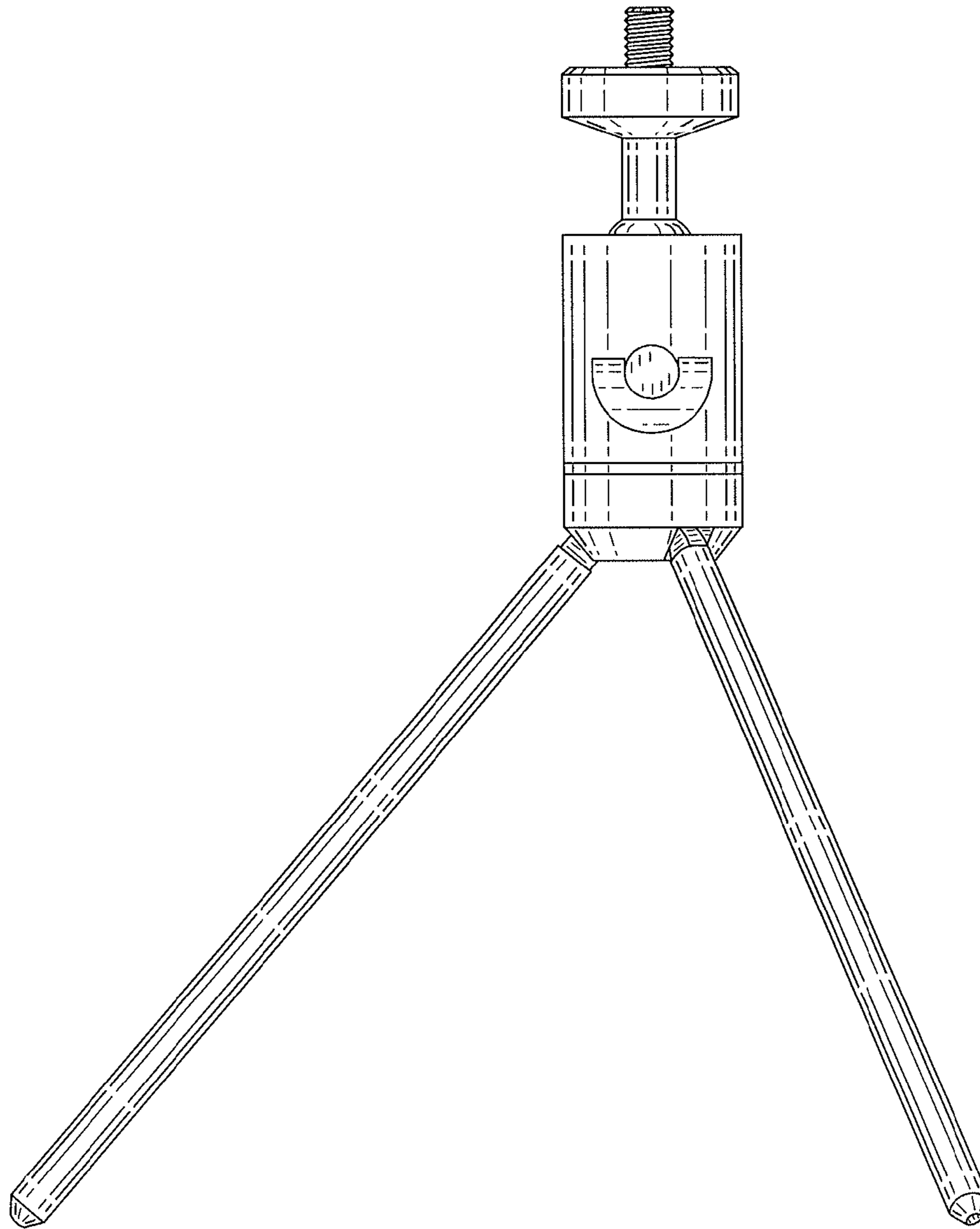


FIG. 4

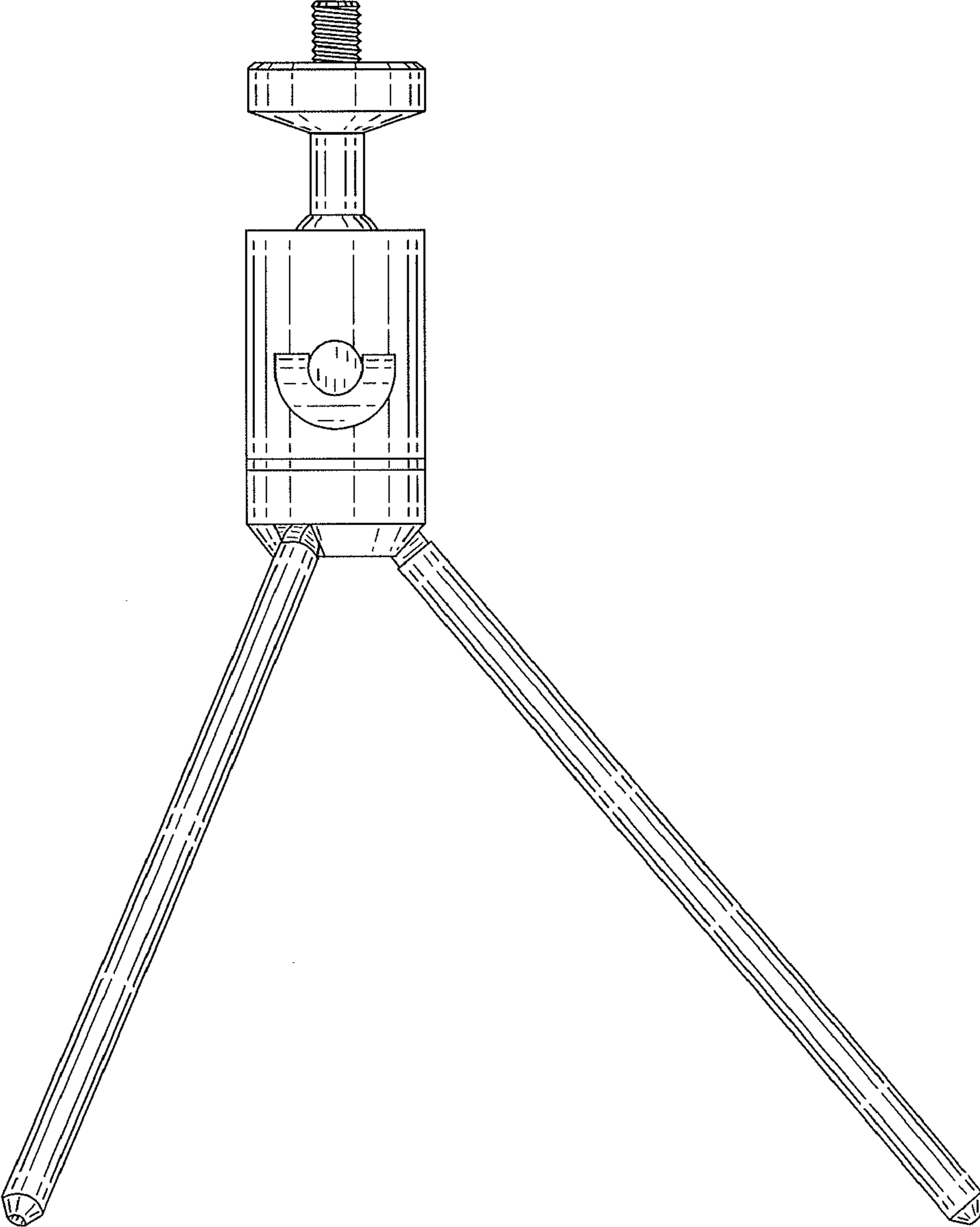


FIG. 5

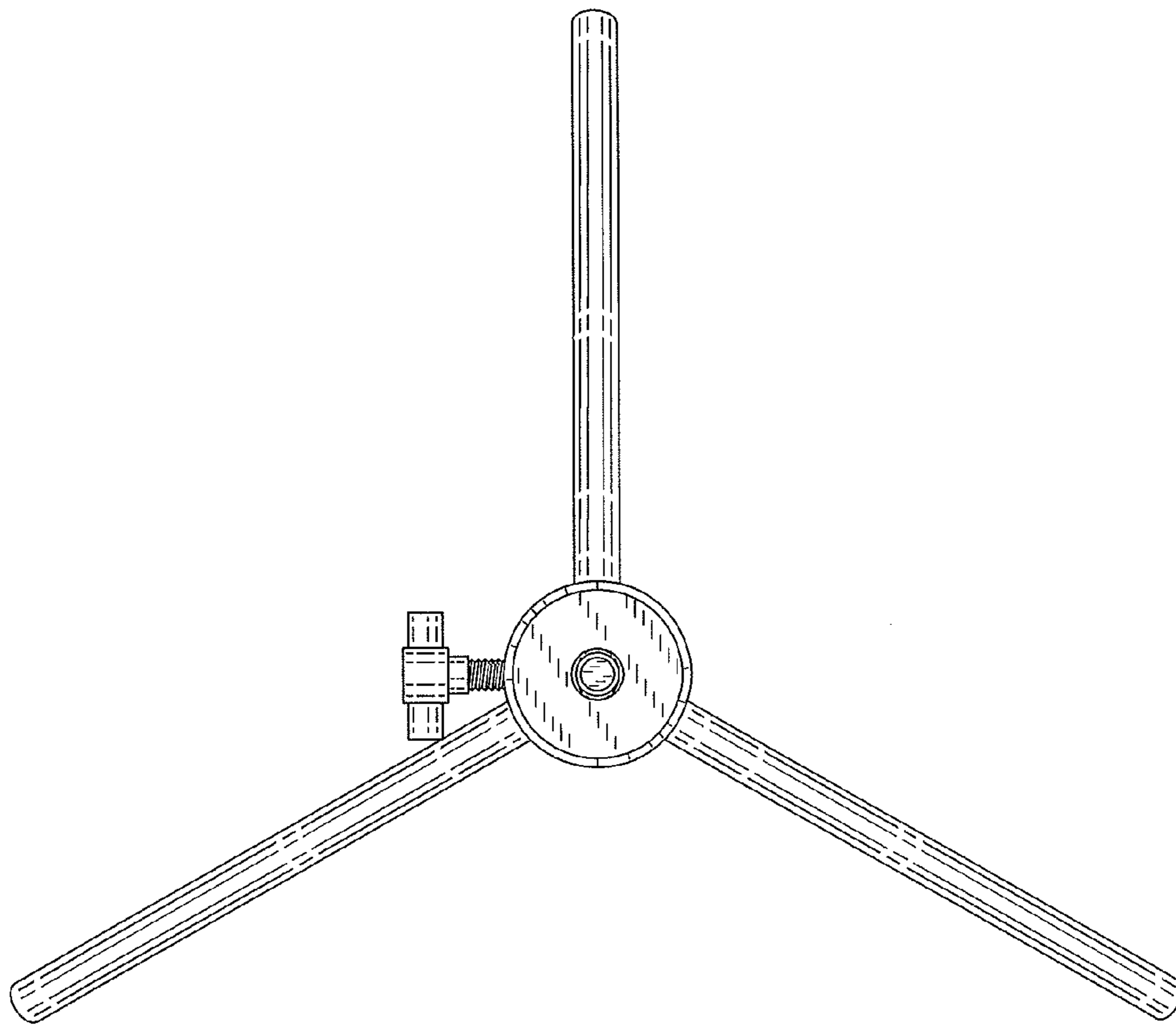


FIG. 6

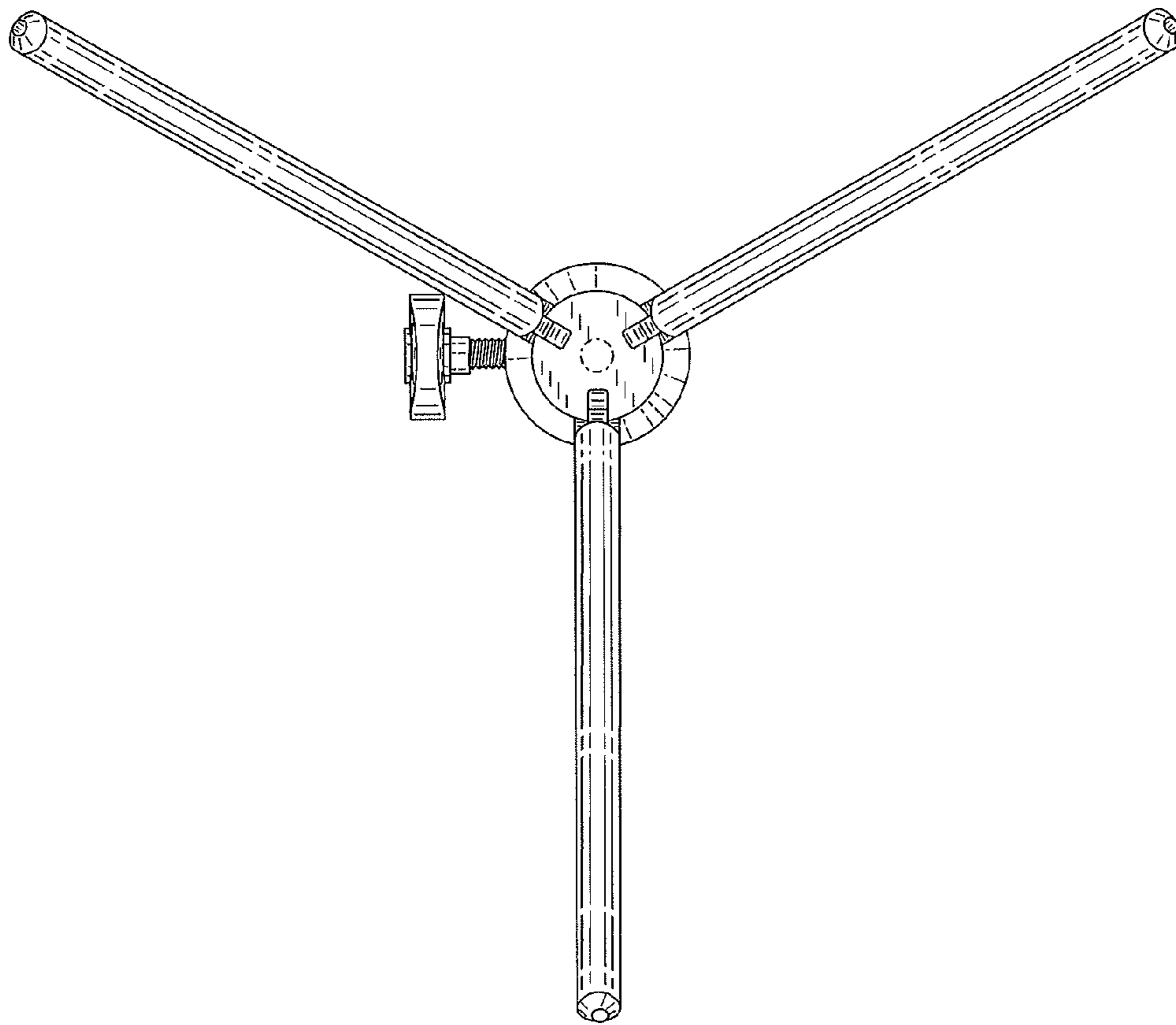


FIG. 7