

US00D673202S

(12) **United States Design Patent**
Takizawa

(10) **Patent No.:** **US D673,202 S**
(45) **Date of Patent:** **** Dec. 25, 2012**

(54) **LAMP UNIT FOR PROJECTOR**

(75) Inventor: **Takahiro Takizawa**, Suzaka (JP)

(73) Assignee: **Seiko Epson Corporation**, Tokyo (JP)

(**) Term: **14 Years**

(21) Appl. No.: **29/404,145**

(22) Filed: **Oct. 17, 2011**

(30) **Foreign Application Priority Data**

Jul. 4, 2011 (JP) 2011-015239

(51) **LOC (9) Cl.** **16-02**

(52) **U.S. Cl.** **D16/235**

(58) **Field of Classification Search** D16/221,
D16/225, 235-237; D26/1, 24, 28, 36; 352/198,
352/203; 353/52, 72, 85, 97-98, 100, 119;
362/227, 294

See application file for complete search history.

(56) **References Cited**

U.S. PATENT DOCUMENTS

D558,252 S * 12/2007 Matsumiya et al. D16/221
D561,232 S * 2/2008 Nishizawa et al. D16/235
D574,408 S * 8/2008 Kobayashi et al. D16/235
D584,328 S * 1/2009 Sasaki D16/235

D607,126 S * 12/2009 Sakai et al. D26/1
D616,482 S * 5/2010 Nishi et al. D16/235
D616,912 S * 6/2010 Sasaki D16/235
D645,892 S * 9/2011 Nishi D16/235
2009/0225282 A1* 9/2009 Matsumiya et al. 353/85
2010/0103382 A1* 4/2010 Onodera et al. 353/52
2011/0216285 A1* 9/2011 Saito et al. 353/52

* cited by examiner

Primary Examiner — Wan Laymon

(74) *Attorney, Agent, or Firm* — Oliff & Berridge, PLC

(57) **CLAIM**

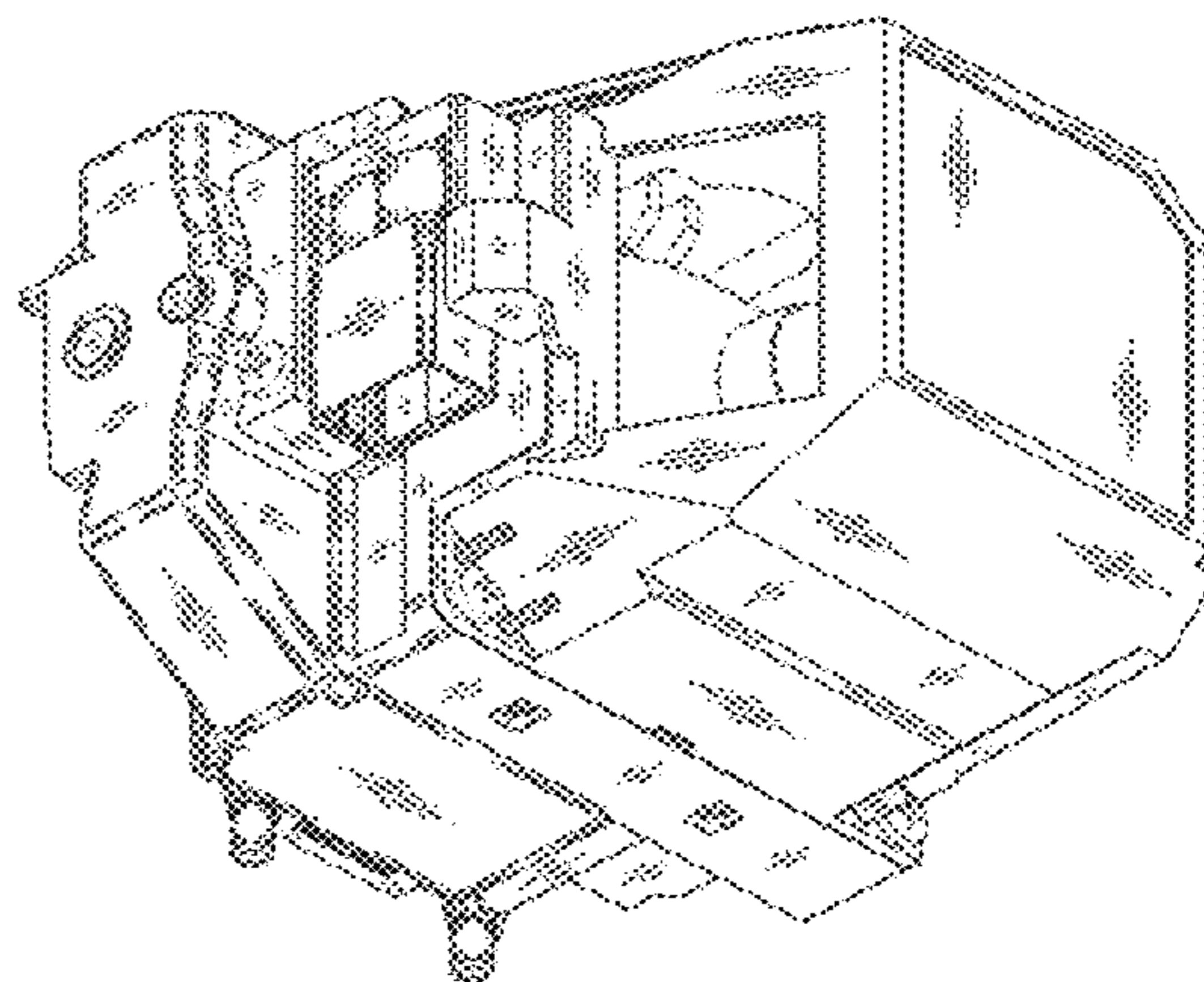
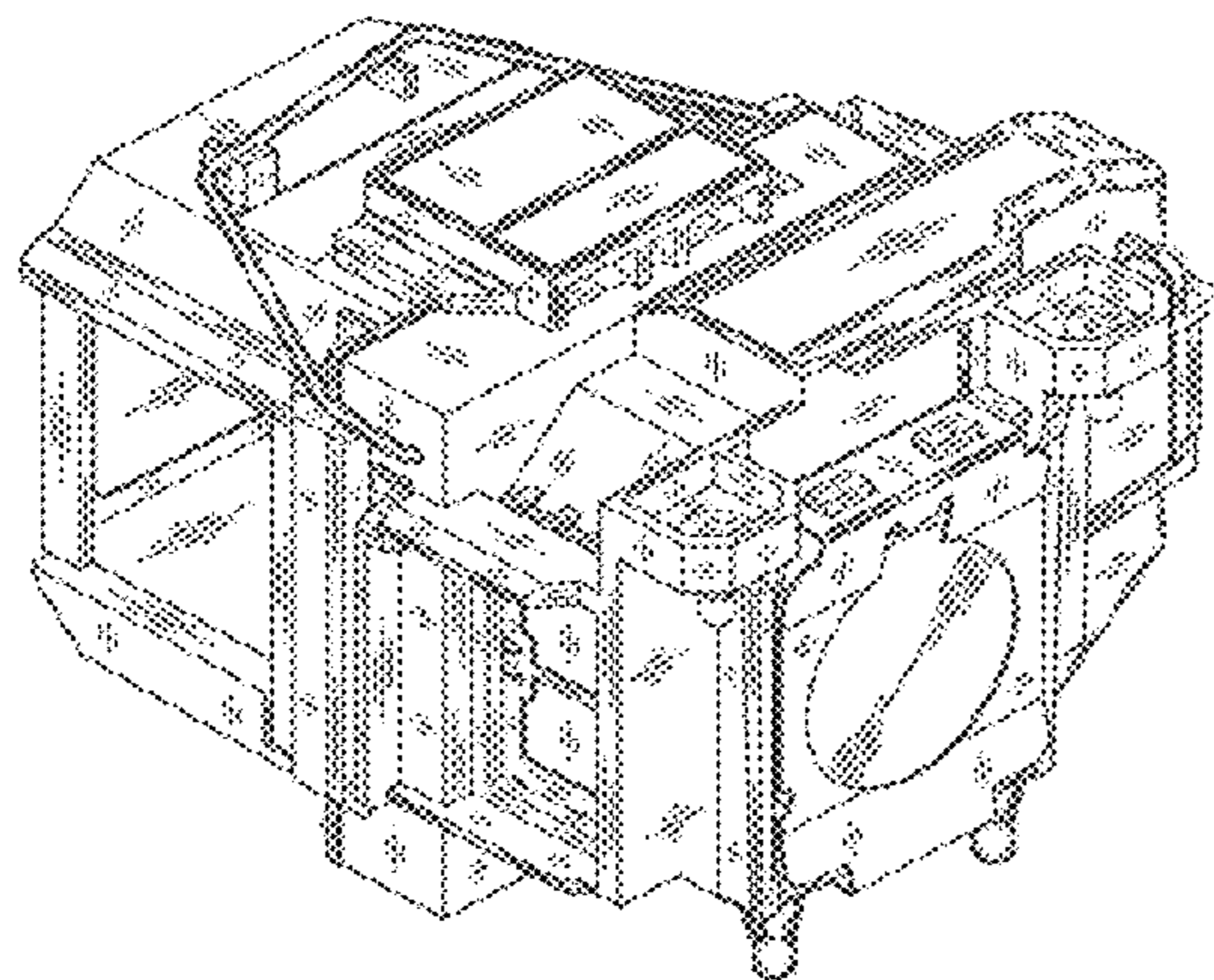
The ornamental design for a lamp unit for projector, as shown and described.

DESCRIPTION

FIG. 1 is a top, front, left-side perspective view of a lamp unit for projector;
FIG. 2 is a bottom, rear, right-side perspective view thereof;
FIG. 3 is a front view thereof;
FIG. 4 is a rear view thereof;
FIG. 5 is a left-side view thereof;
FIG. 6 is a right-side view thereof;
FIG. 7 is a top view thereof; and
FIG. 8 is a bottom view thereof.

The broken lines depict environmental subject matter only and form no part of the claimed design.

1 Claim, 5 Drawing Sheets



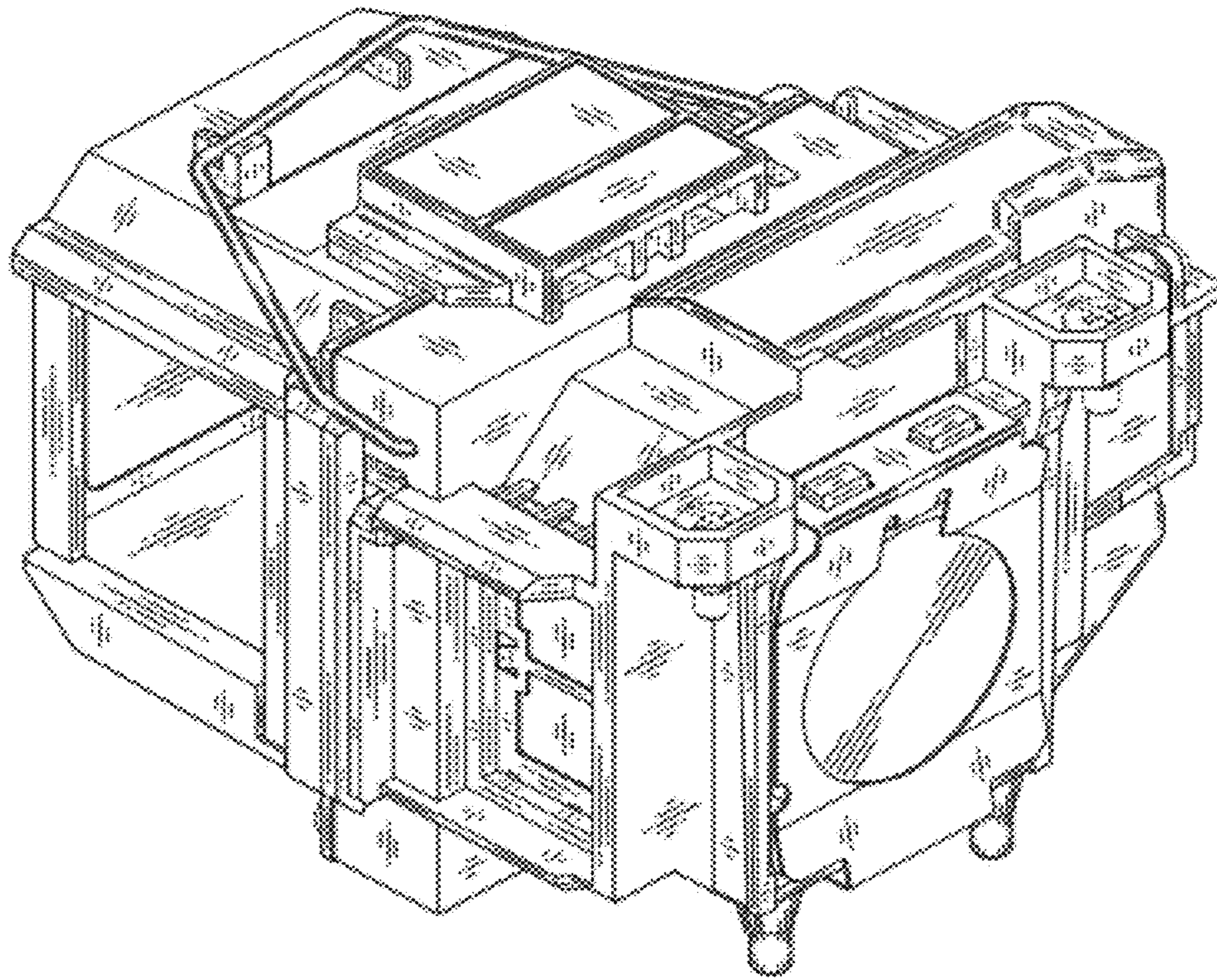


FIG. 1

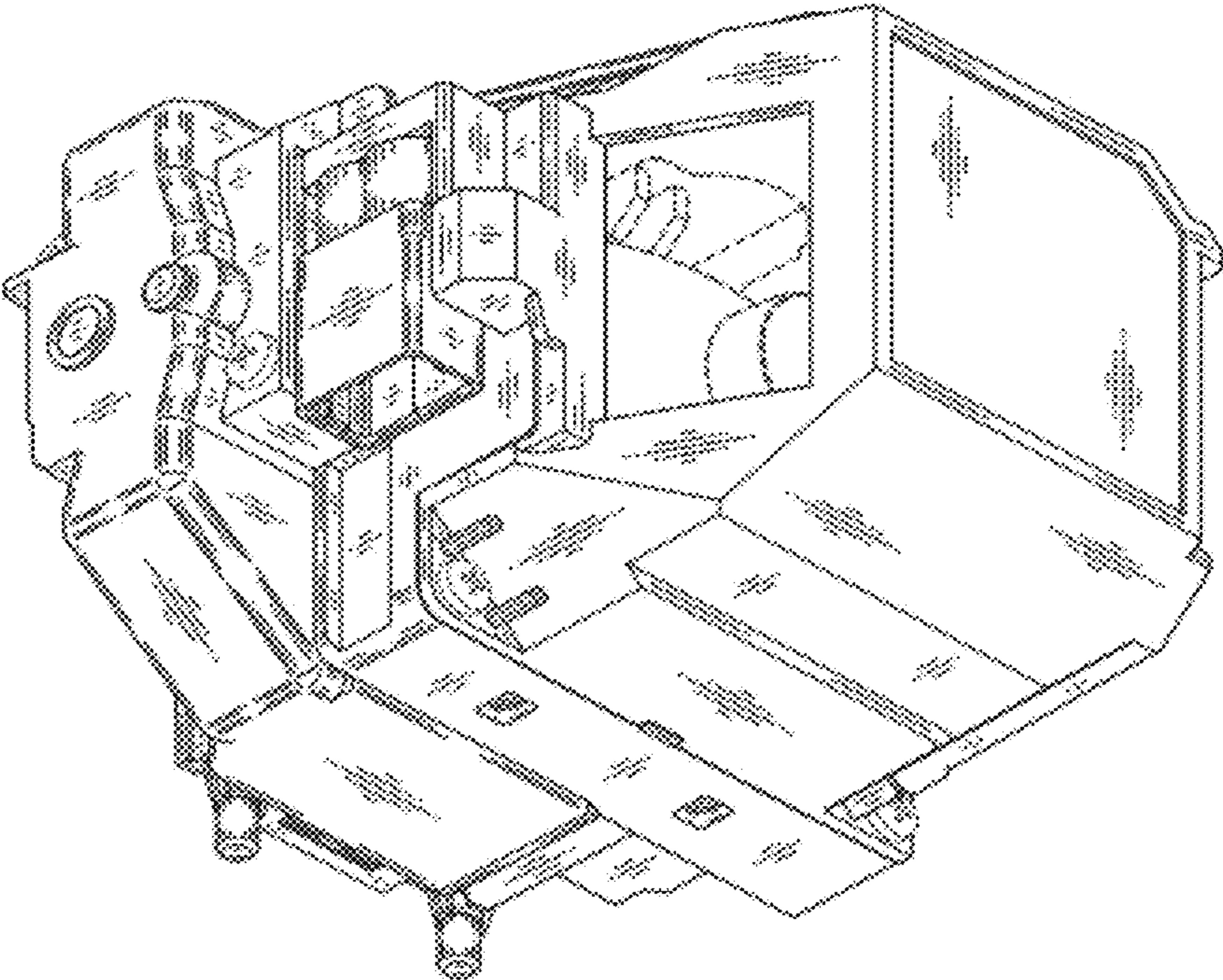


FIG. 2

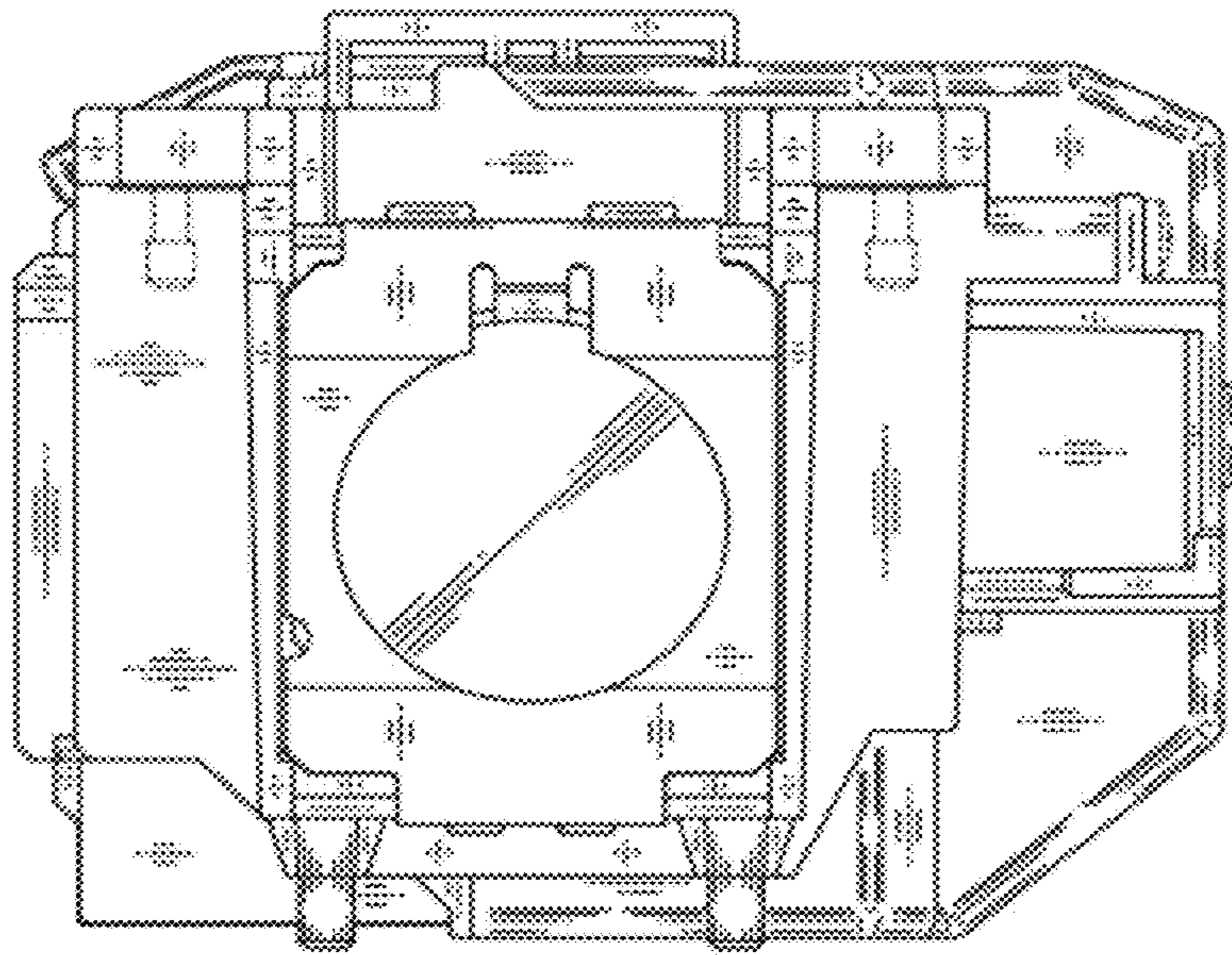


FIG. 3

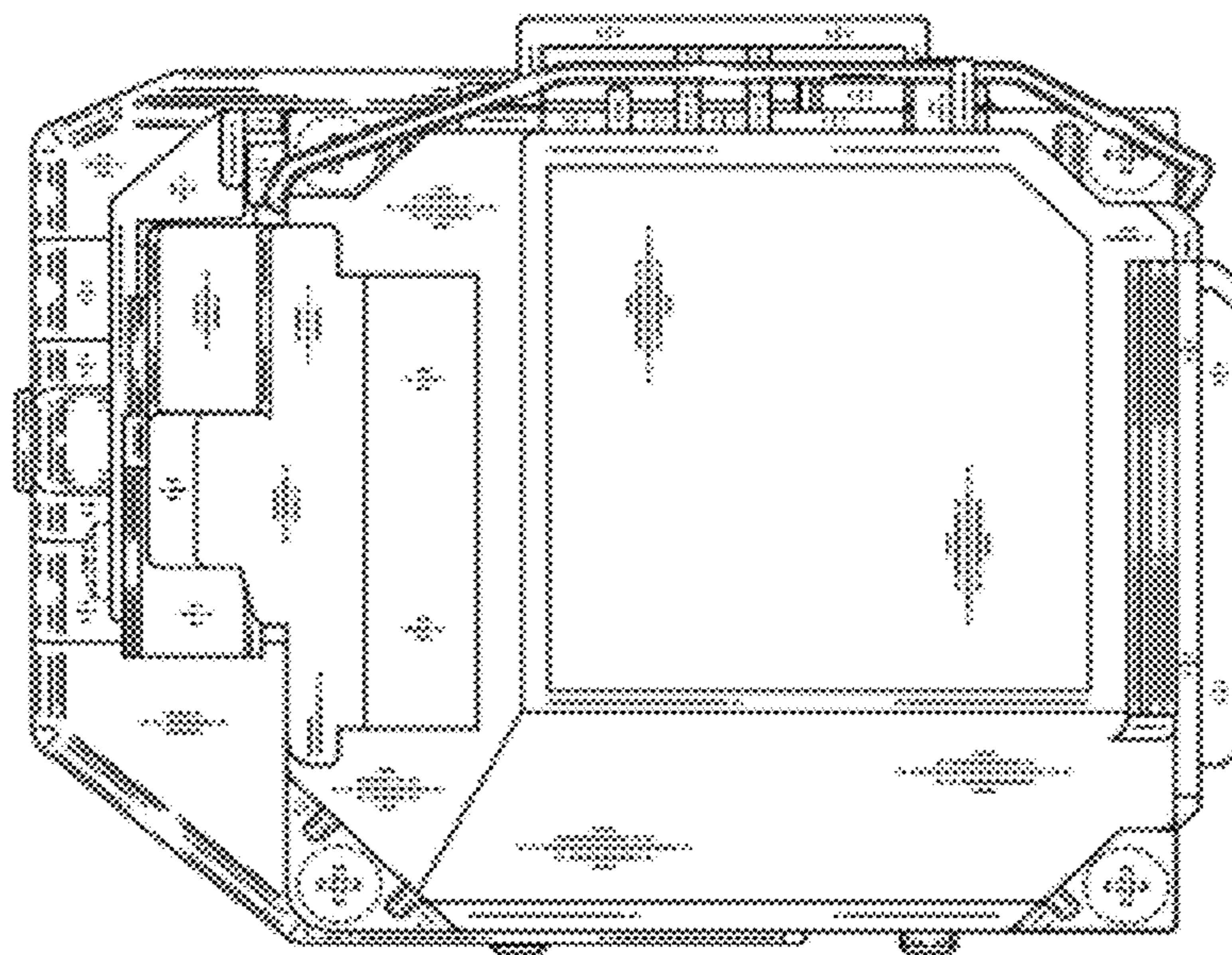


FIG. 4

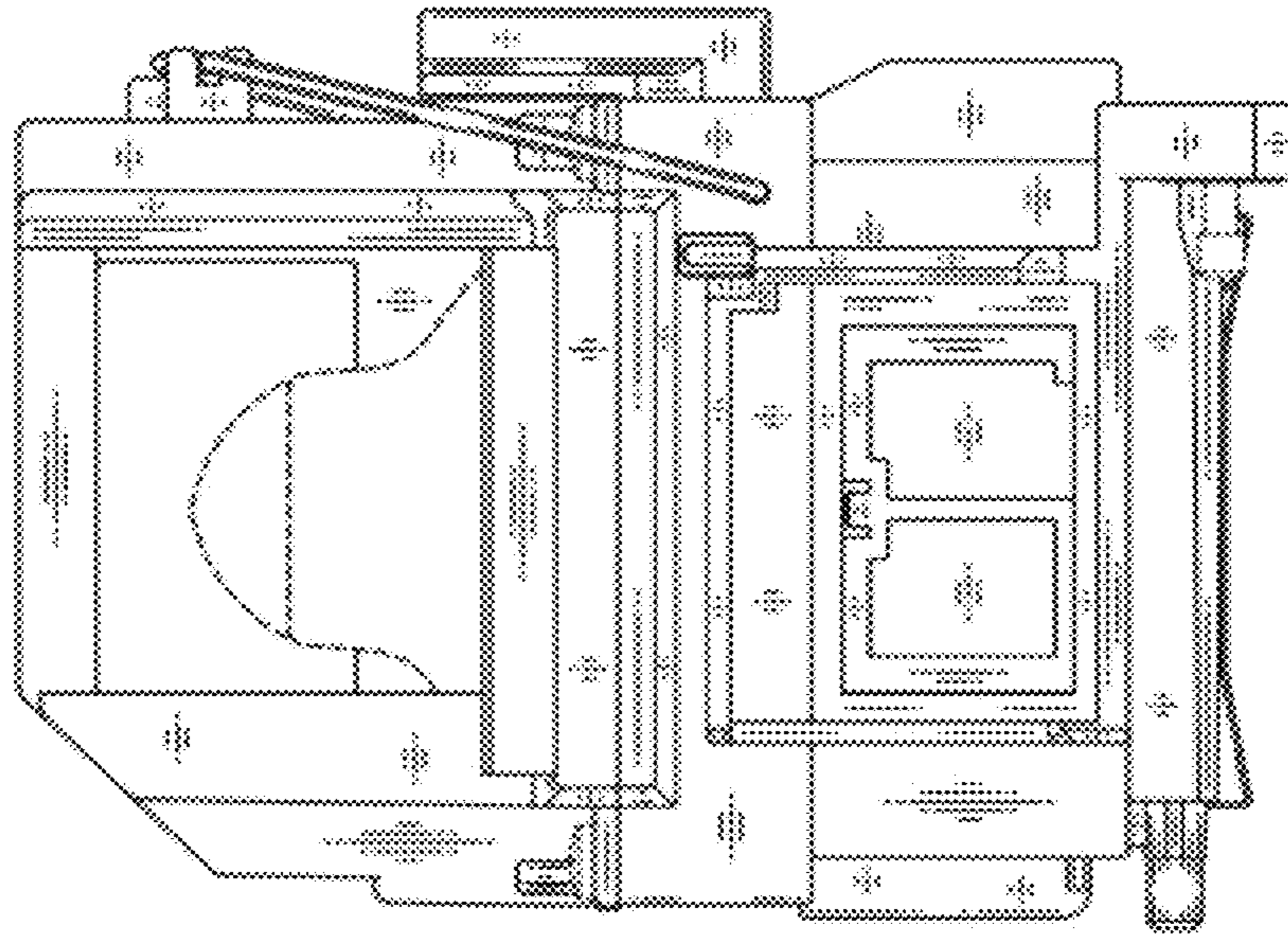


FIG. 5

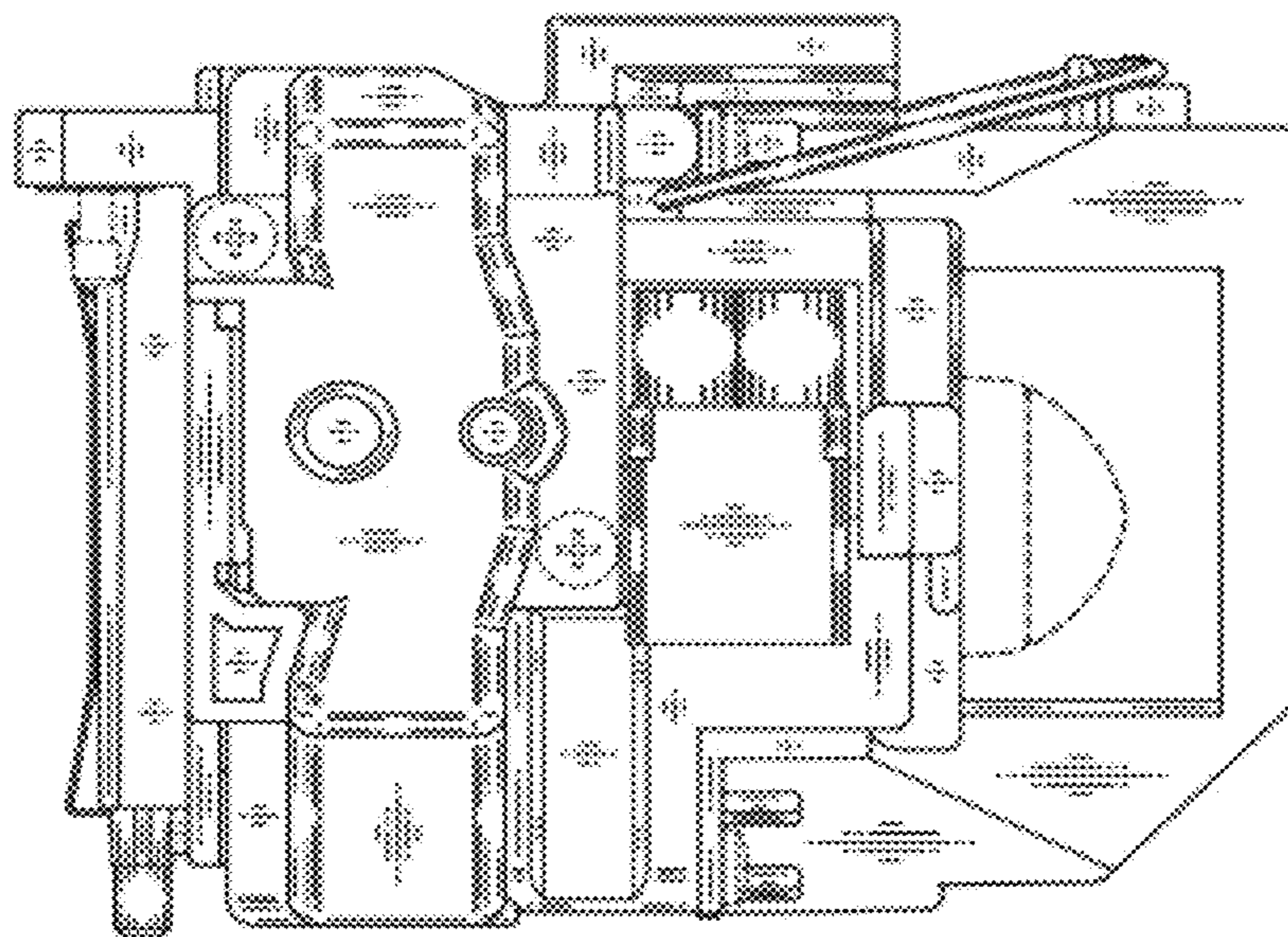


FIG. 6

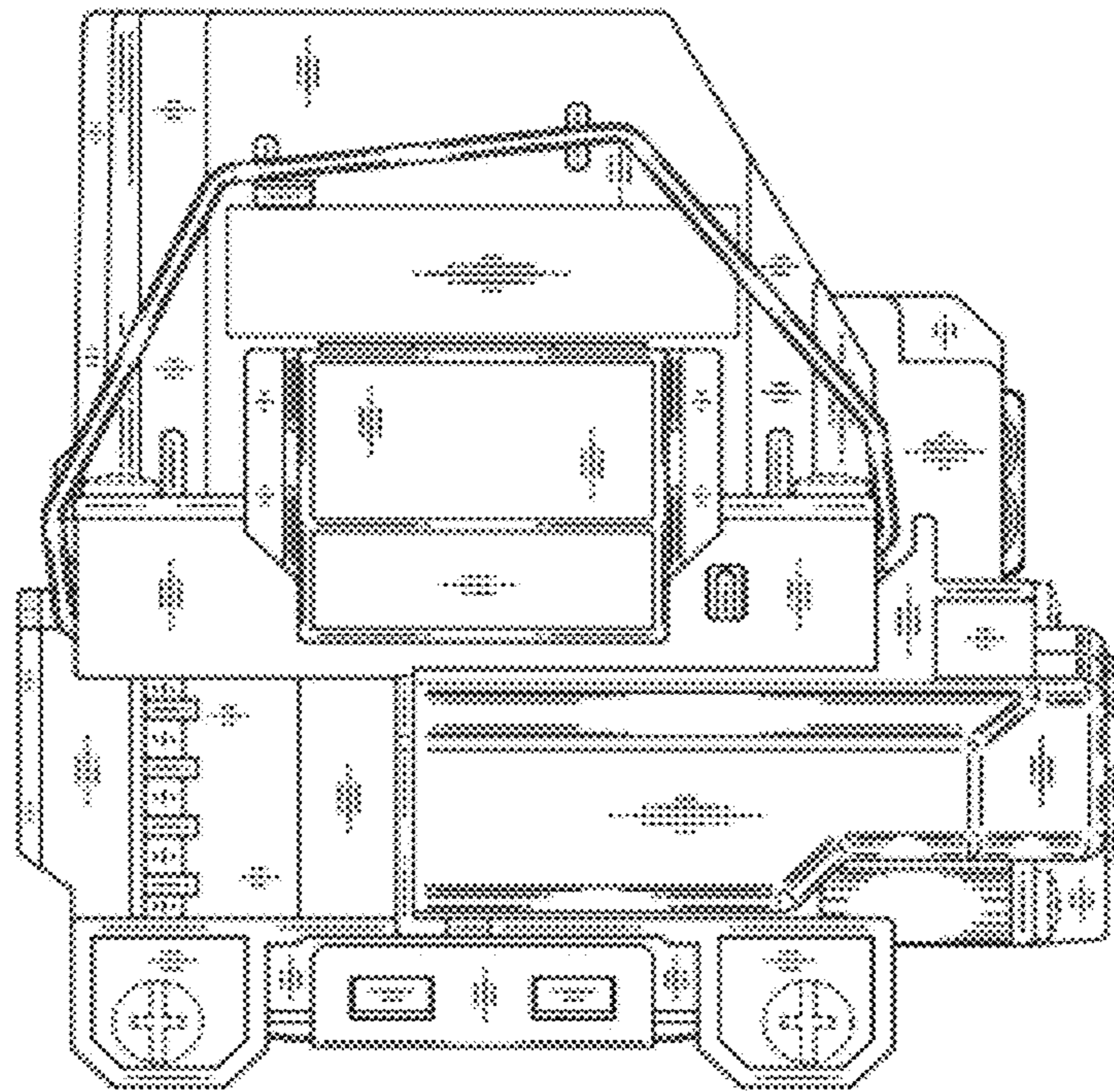


FIG. 7

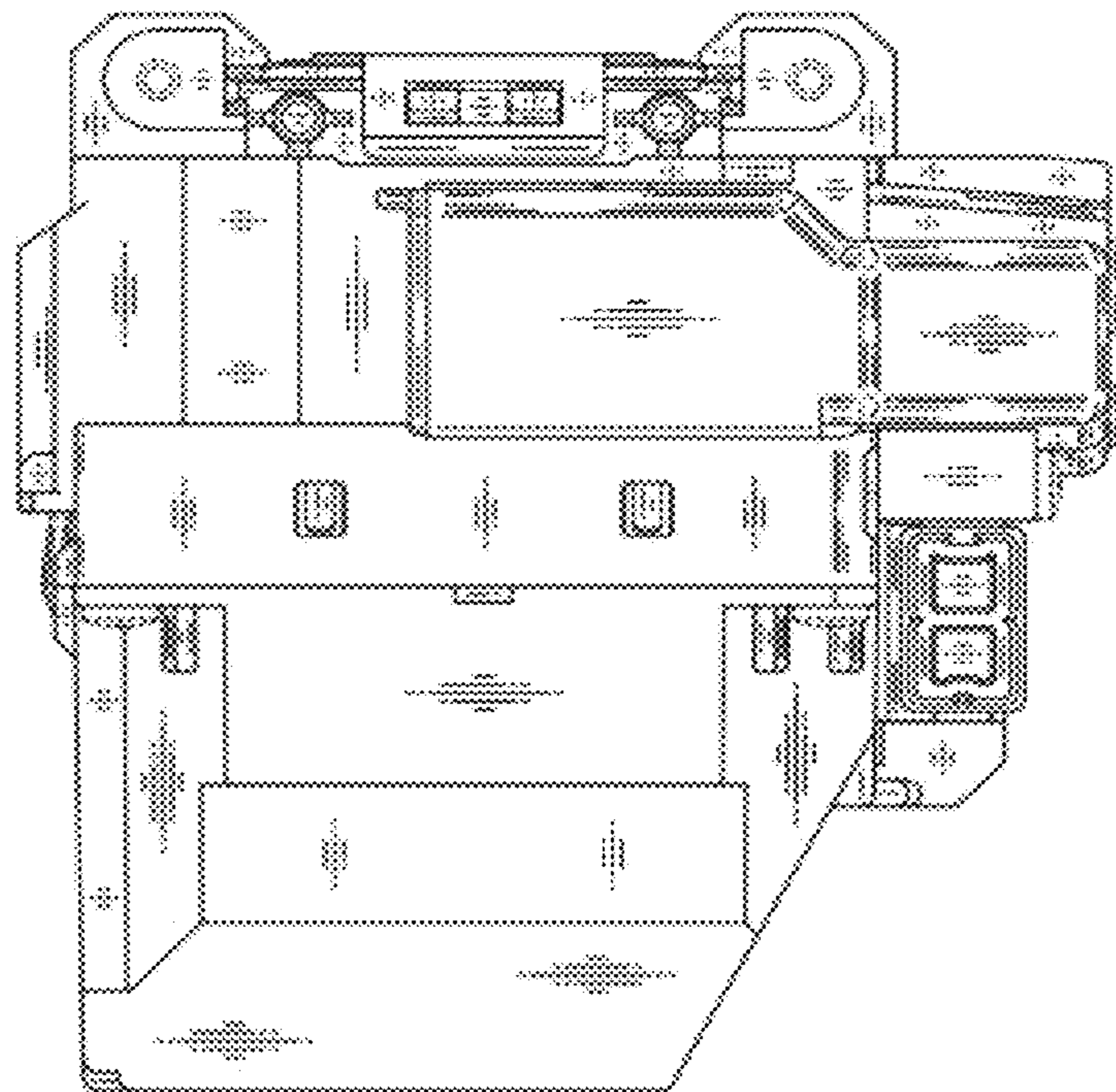


FIG. 8