



US00D673201S

(12) **United States Design Patent**
Nakamura et al.

(10) **Patent No.:** **US D673,201 S**
(45) **Date of Patent:** **** *Dec. 25, 2012**

(54) **VIDEO CAMERA**

DESCRIPTION

- (75) Inventors: **Toshihiro Nakamura**, Tokyo (JP);
Tomonari Murakami, Tokyo (JP)
- (73) Assignee: **Sony Corporation**, Tokyo (JP)
- (*) Notice: This patent is subject to a terminal disclaimer.
- (**) Term: **14 Years**
- (21) Appl. No.: **29/347,430**
- (22) Filed: **Jan. 4, 2010**

Related U.S. Application Data

- (63) Continuation of application No. 29/347,157, filed on Oct. 7, 2009.

(30) **Foreign Application Priority Data**

- Jan. 5, 2009 (JP) D2009-000063
- Jan. 5, 2009 (JP) D2009-000064
- Jan. 5, 2009 (JP) D2009-000065
- Jul. 3, 2009 (CN) 200930192270
- (51) **LOC (9) Cl.** **16-05**
- (52) **U.S. Cl.** **D16/200**
- (58) **Field of Classification Search** D16/200,
D16/202, 203, 218, 219; D18/50, 53; 348/371,
348/373-376; 396/535, 540, 541
See application file for complete search history.

(56) **References Cited**

U.S. PATENT DOCUMENTS

D391,590 S 3/1998 Sumita
(Continued)

FOREIGN PATENT DOCUMENTS

JP D1146951 S 7/2002
(Continued)

Primary Examiner — Nanda Bondade

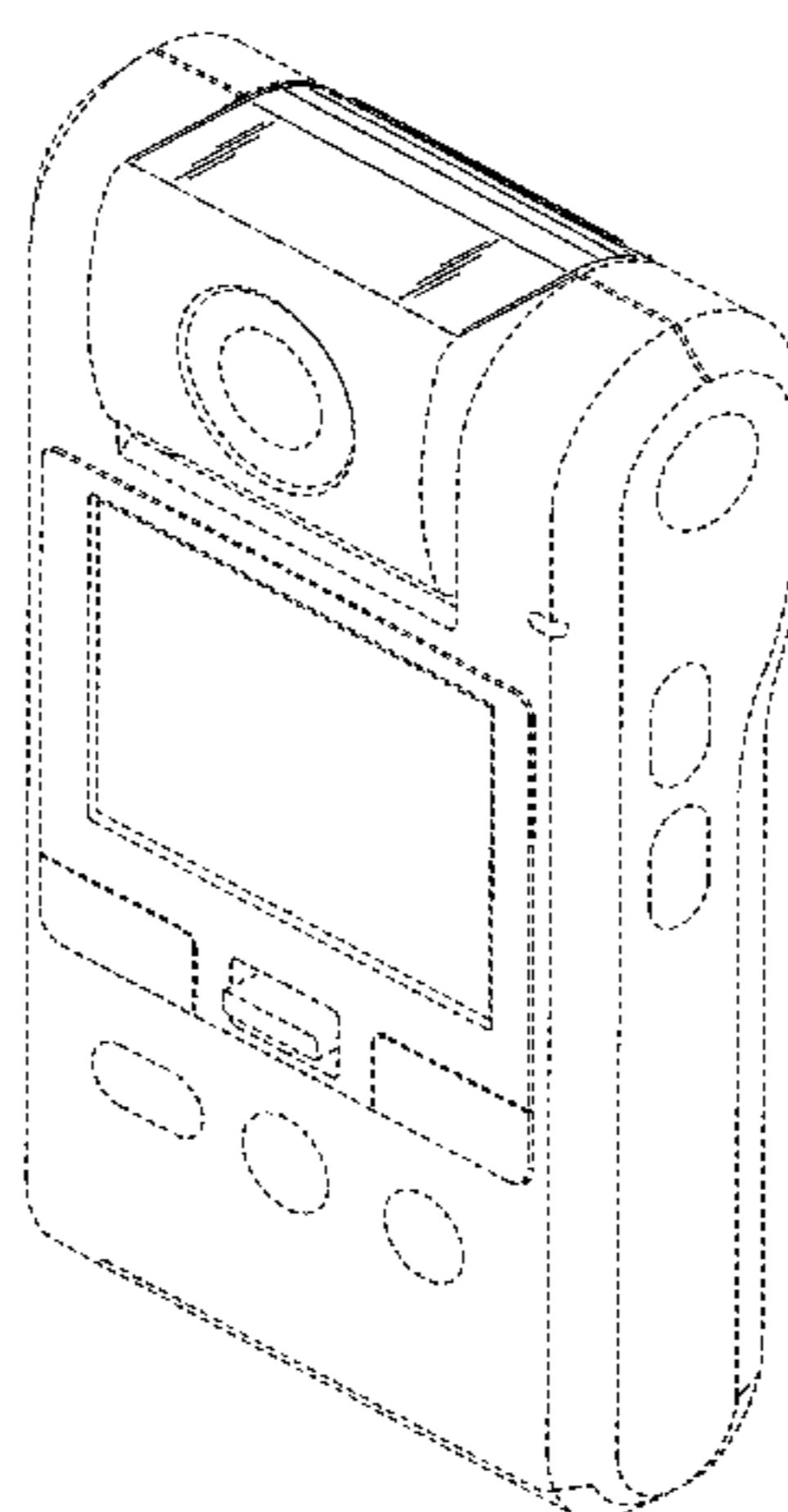
(74) *Attorney, Agent, or Firm* — Rader, Fishman & Grauer PLLC

(57) **CLAIM**

The ornamental design for a video camera, as shown and described.

FIG. 1 is a perspective view of a video camera showing our new design;
 FIG. 2 is a perspective view thereof wherein the camera is in a first alternate position;
 FIG. 3 is a perspective view thereof wherein the camera is in a second alternate position;
 FIG. 4 is a perspective view thereof wherein the camera is in a third alternate position;
 FIG. 5 is a front elevational view of the video camera of FIG. 1;
 FIG. 6 is a rear elevational view thereof;
 FIG. 7 is a left side elevational view thereof;
 FIG. 8 is a right side elevational view thereof;
 FIG. 9 is a top plan view thereof; and
 FIG. 10 is a bottom plan view thereof.
 FIG. 11 is a reference front view thereof, wherein the camera is in the third alternate position; and
 FIG. 12 is a reference cross sectional view thereof along lines 12-12 and 12'-12' shown in FIG. 11.
 FIG. 13 is a perspective view of another embodiment of a video camera showing our new design;
 FIG. 14 is a perspective view thereof wherein the camera is in a first alternate position;
 FIG. 15 is a perspective view thereof wherein the camera is in a second alternate position;
 FIG. 16 is a perspective view thereof wherein the camera is in a third alternate position;
 FIG. 17 is a front elevational view of the video camera of FIG. 13;
 FIG. 18 is a rear elevational view thereof;
 FIG. 19 is a left side elevational view thereof;
 FIG. 20 is a right side elevational view thereof;
 FIG. 21 is a top plan view thereof; and
 FIG. 22 is a bottom plan view thereof.
 FIG. 23 is a reference front view thereof, wherein the camera is in the third alternate position; and,
 FIG. 24 is a reference cross sectional view thereof along lines 24-24 and 24'-24' shown in FIG. 23.
 Portions in broken lines are for illustrative purpose only and form no part of the claimed design. The dot-dash broken lines define but are not included in, the boundaries of the claimed design.

1 Claim, 20 Drawing Sheets



US D673,201 S

Page 2

U.S. PATENT DOCUMENTS

D411,219 S * 6/1999 Sumita D16/219
D422,569 S 4/2000 Ogasawara
D432,149 S 10/2000 Sumita
6,445,417 B1 * 9/2002 Yoshida et al. 348/374
D476,023 S 6/2003 Sumita
D493,789 S 8/2004 Takuma
D504,875 S 5/2005 Yokota

D508,937 S 8/2005 Sadatsuki
6,930,725 B1 * 8/2005 Hayashi 348/373
D548,220 S 8/2007 Takagi
7,428,017 B2 * 9/2008 Yoshida et al. 348/375

FOREIGN PATENT DOCUMENTS

JP 1374112 * 11/2009

* cited by examiner

FIG.1

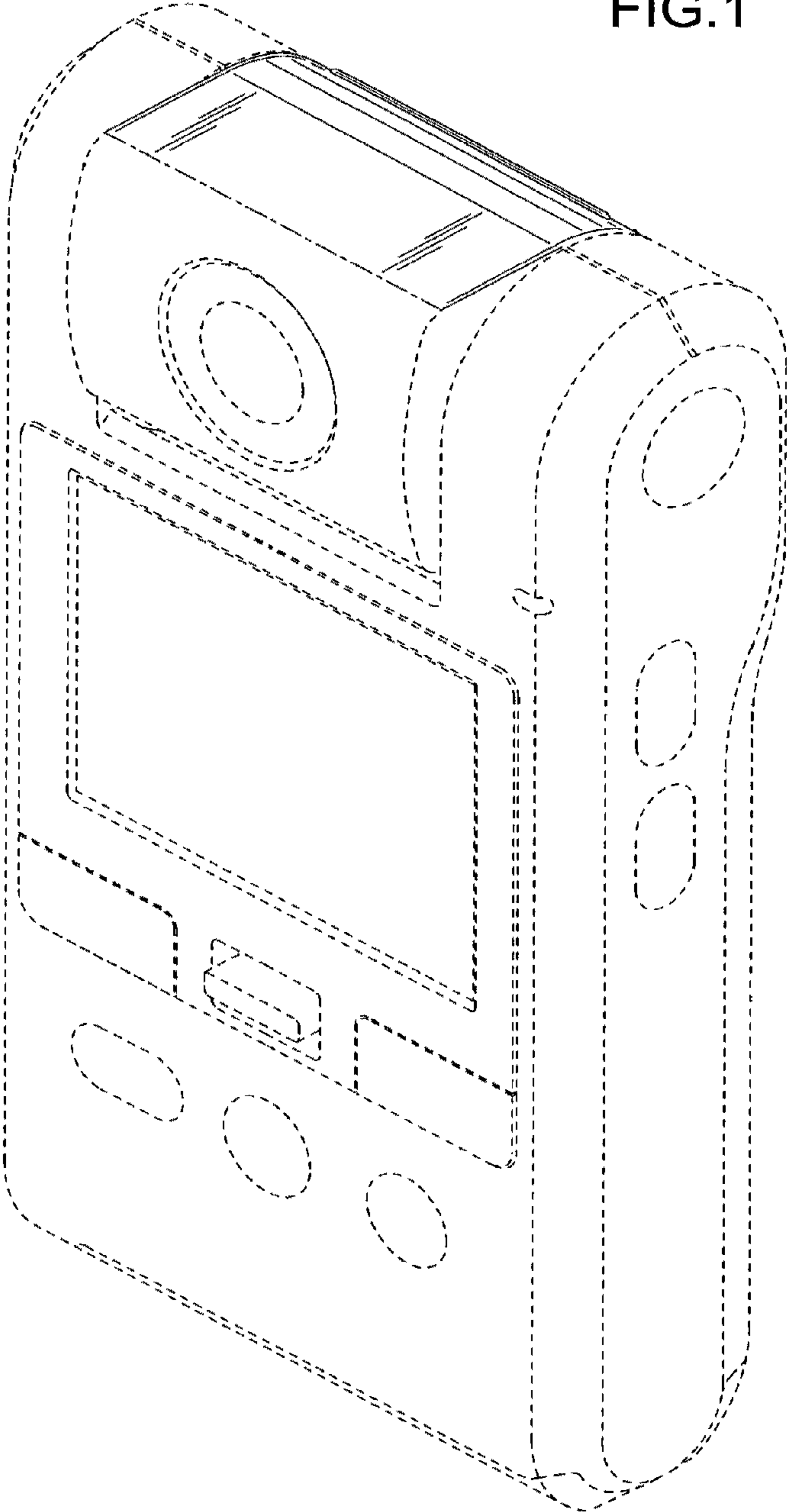


FIG.2

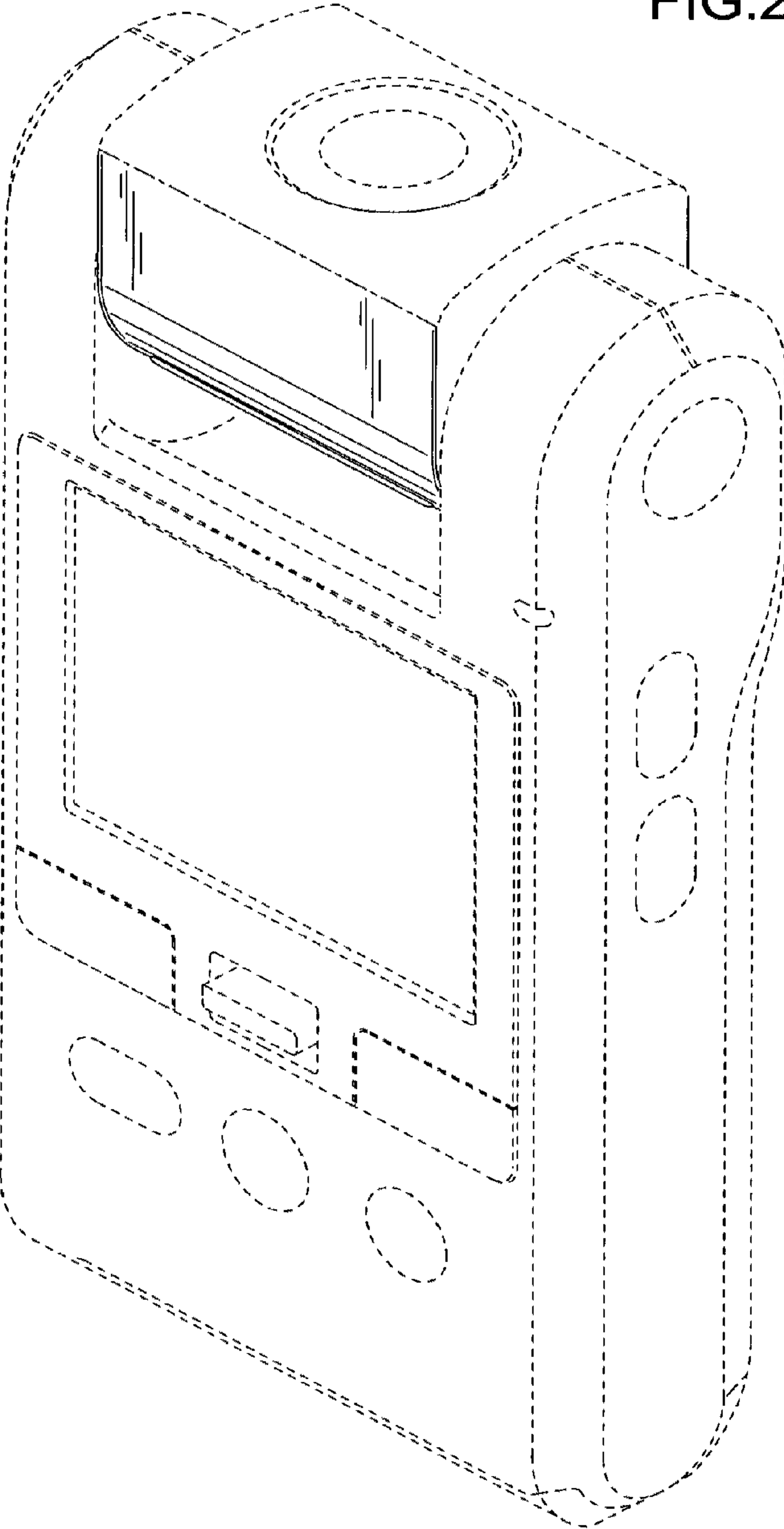


FIG.3

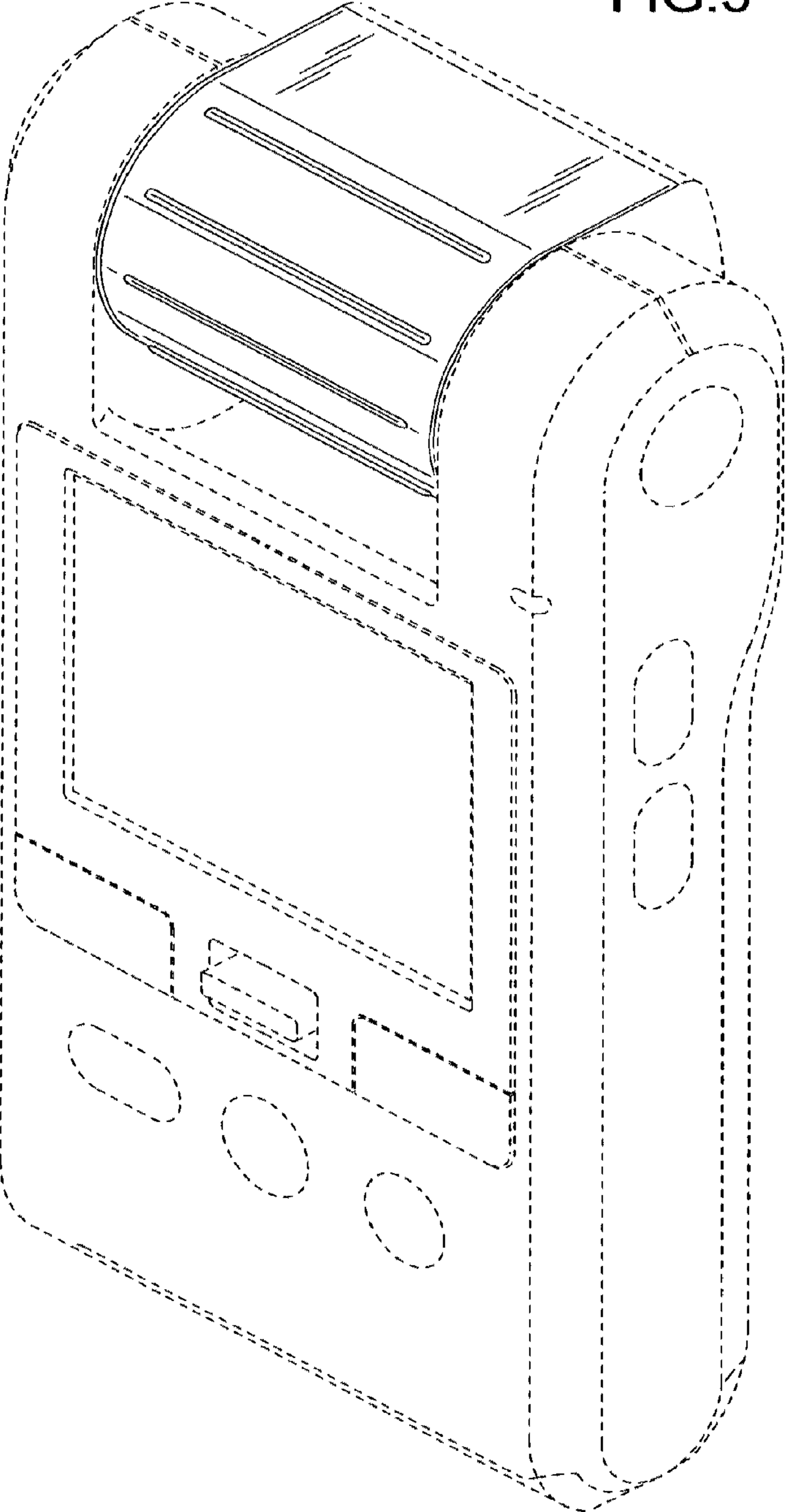


FIG.4

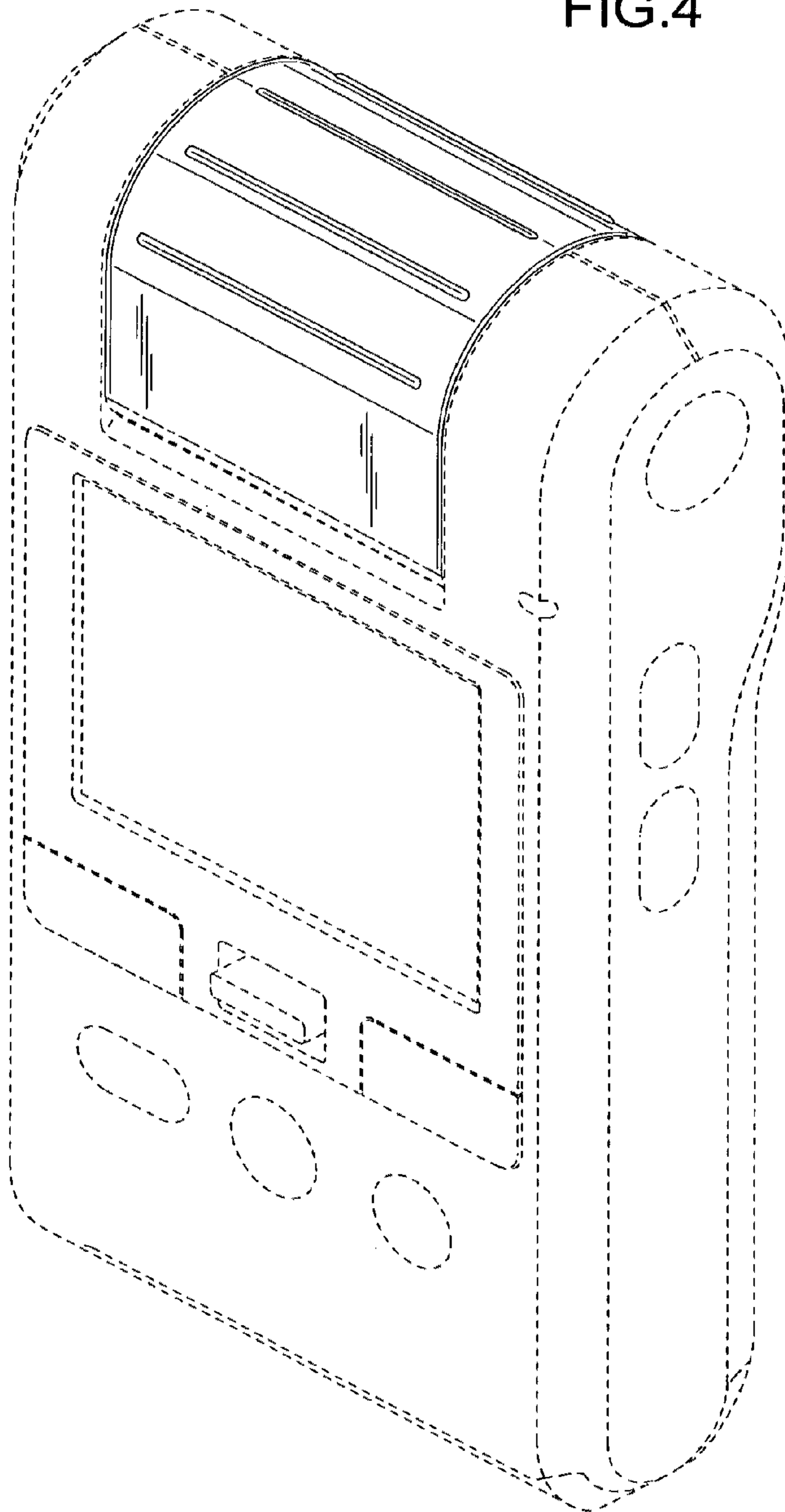


FIG.5

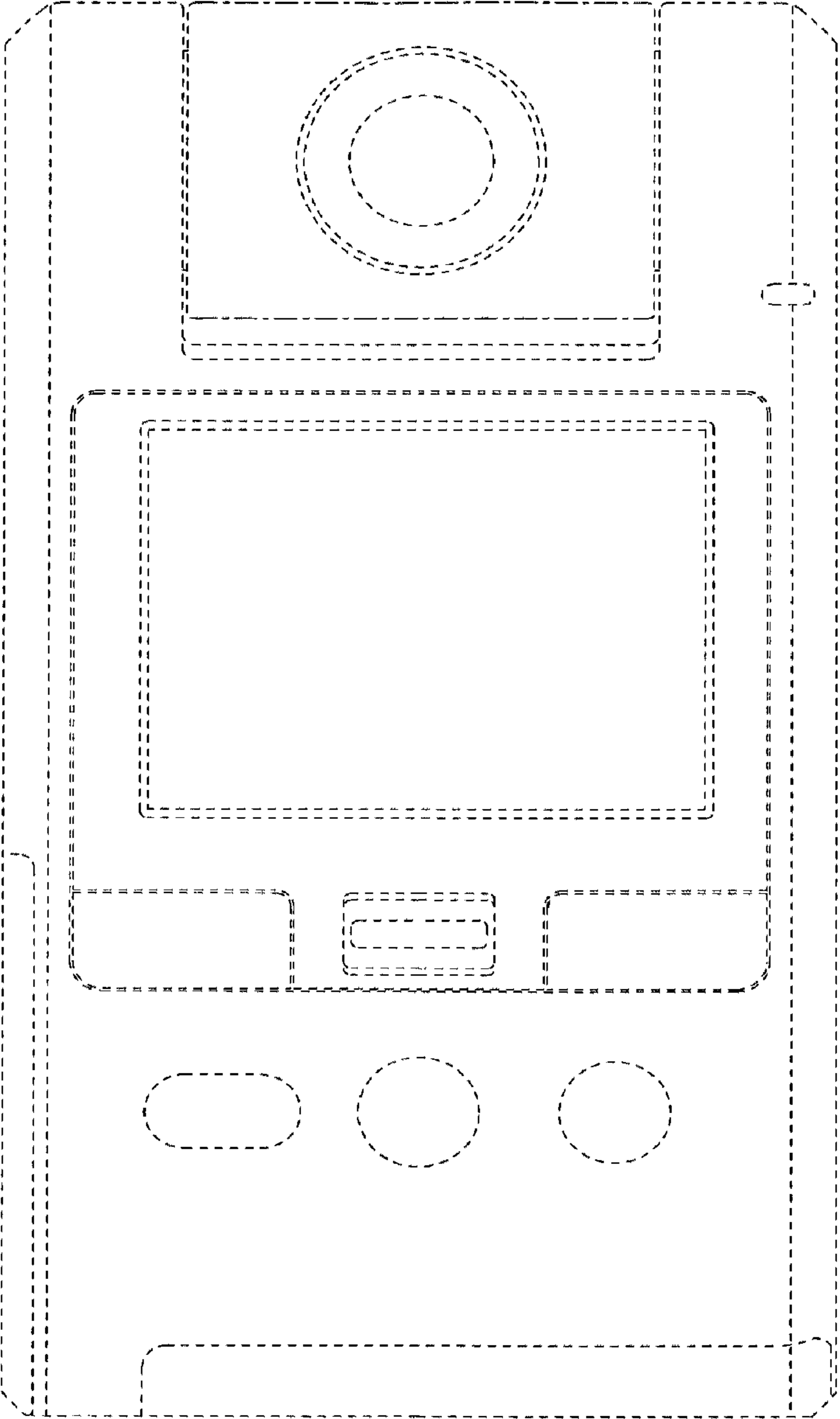


FIG.6

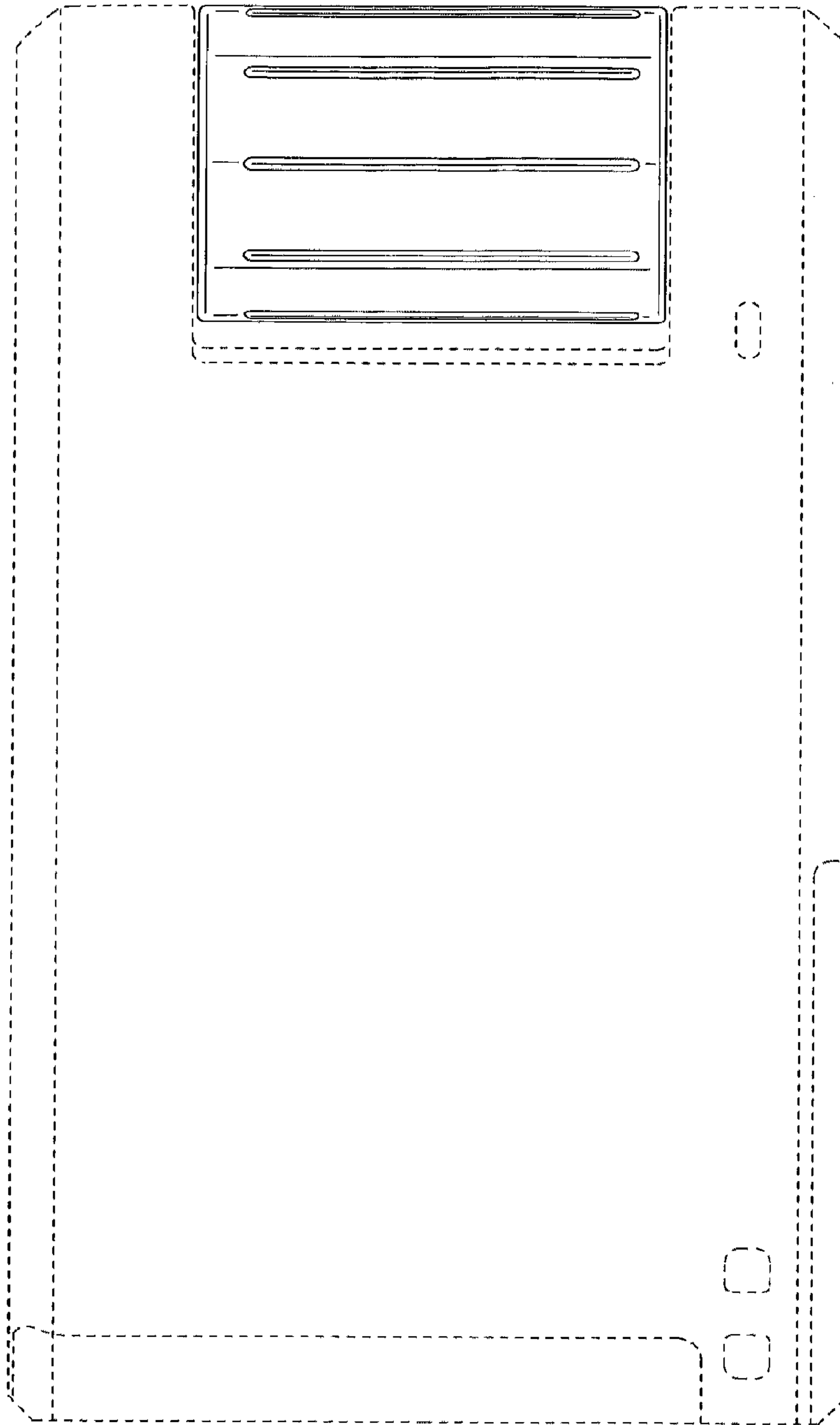


FIG.7

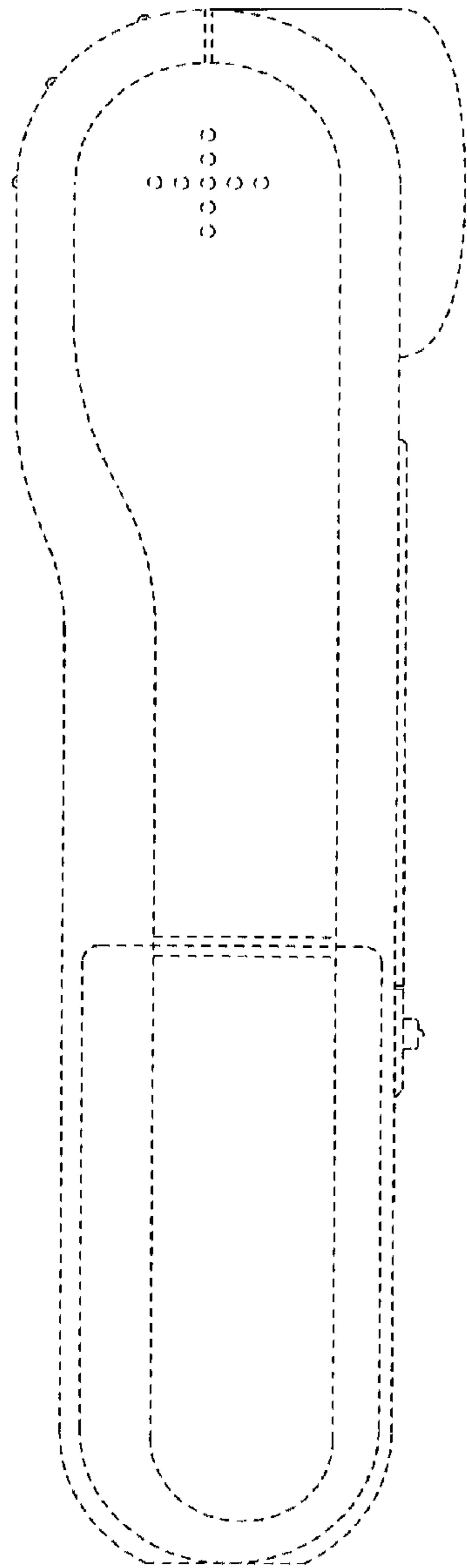


FIG.8

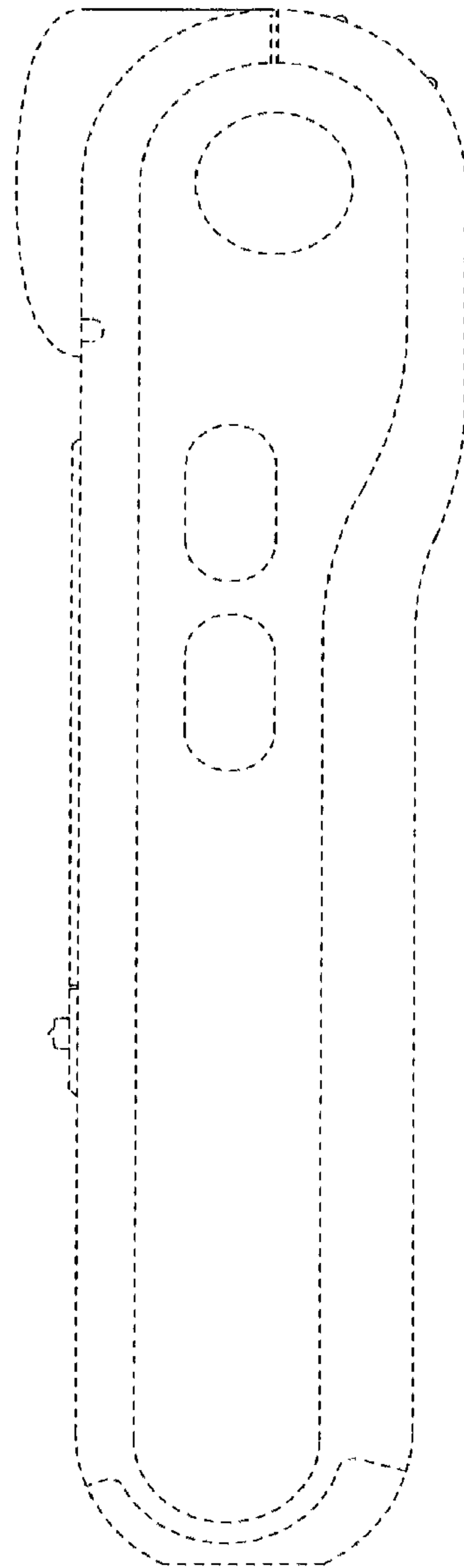


FIG.9

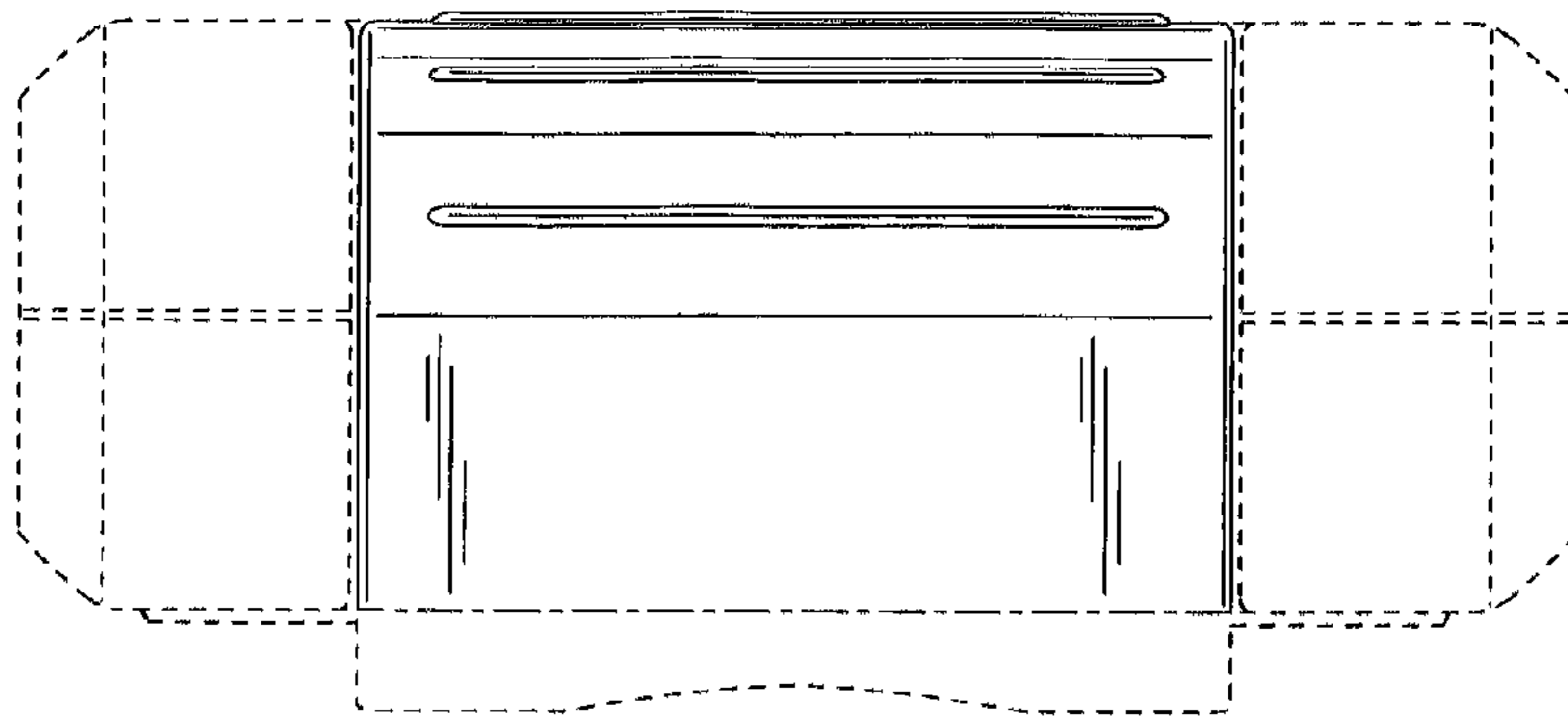
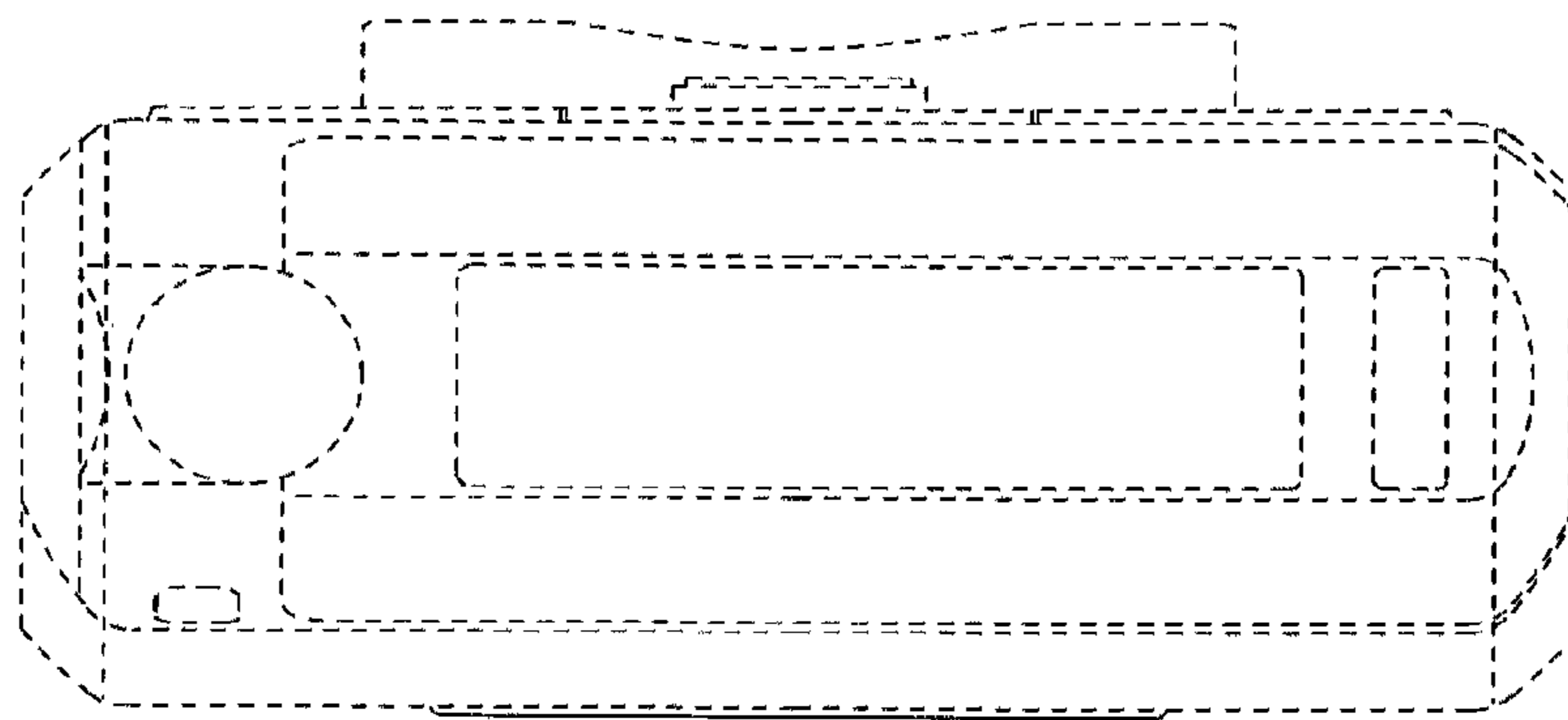


FIG.10



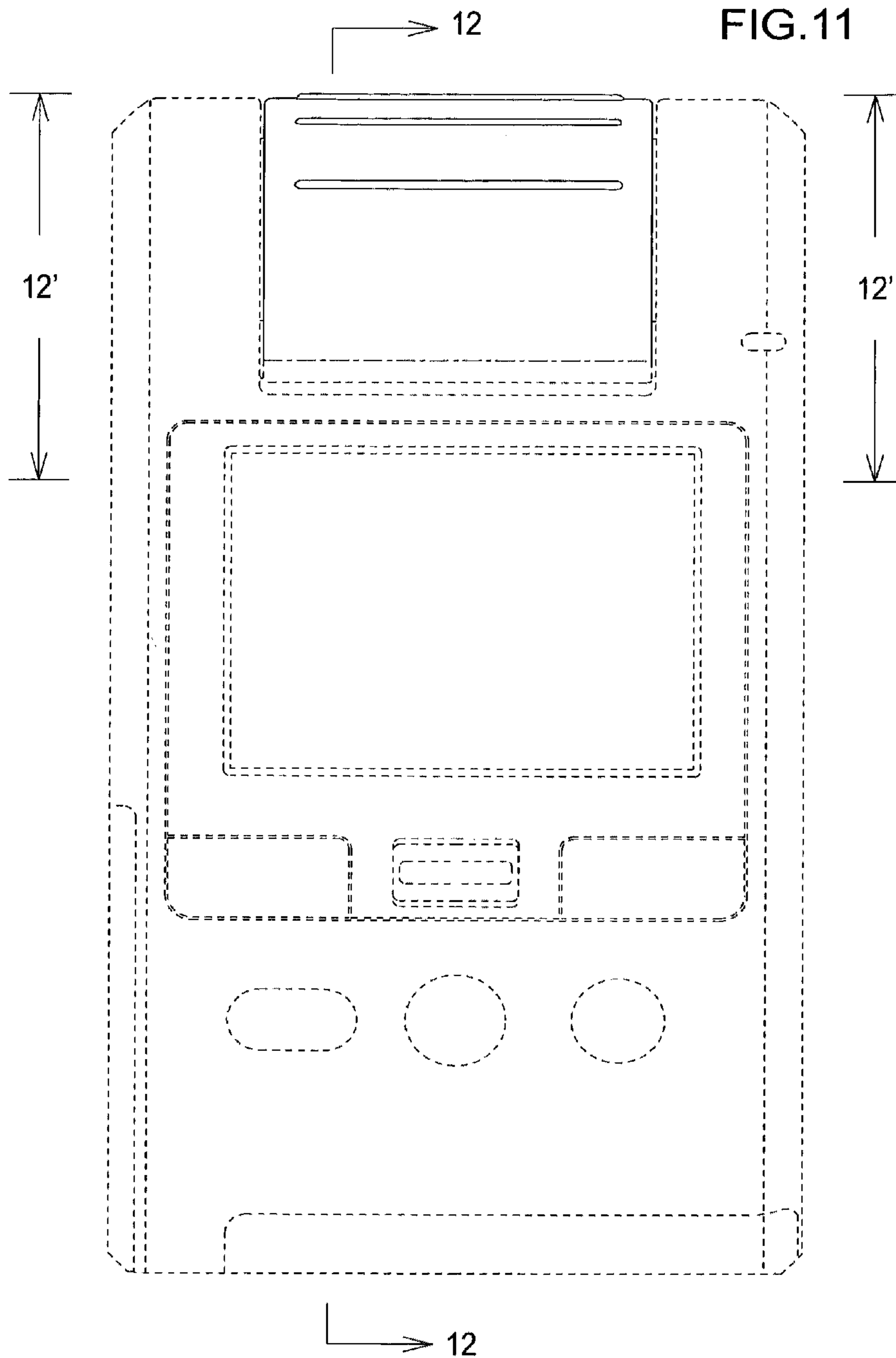


FIG.12

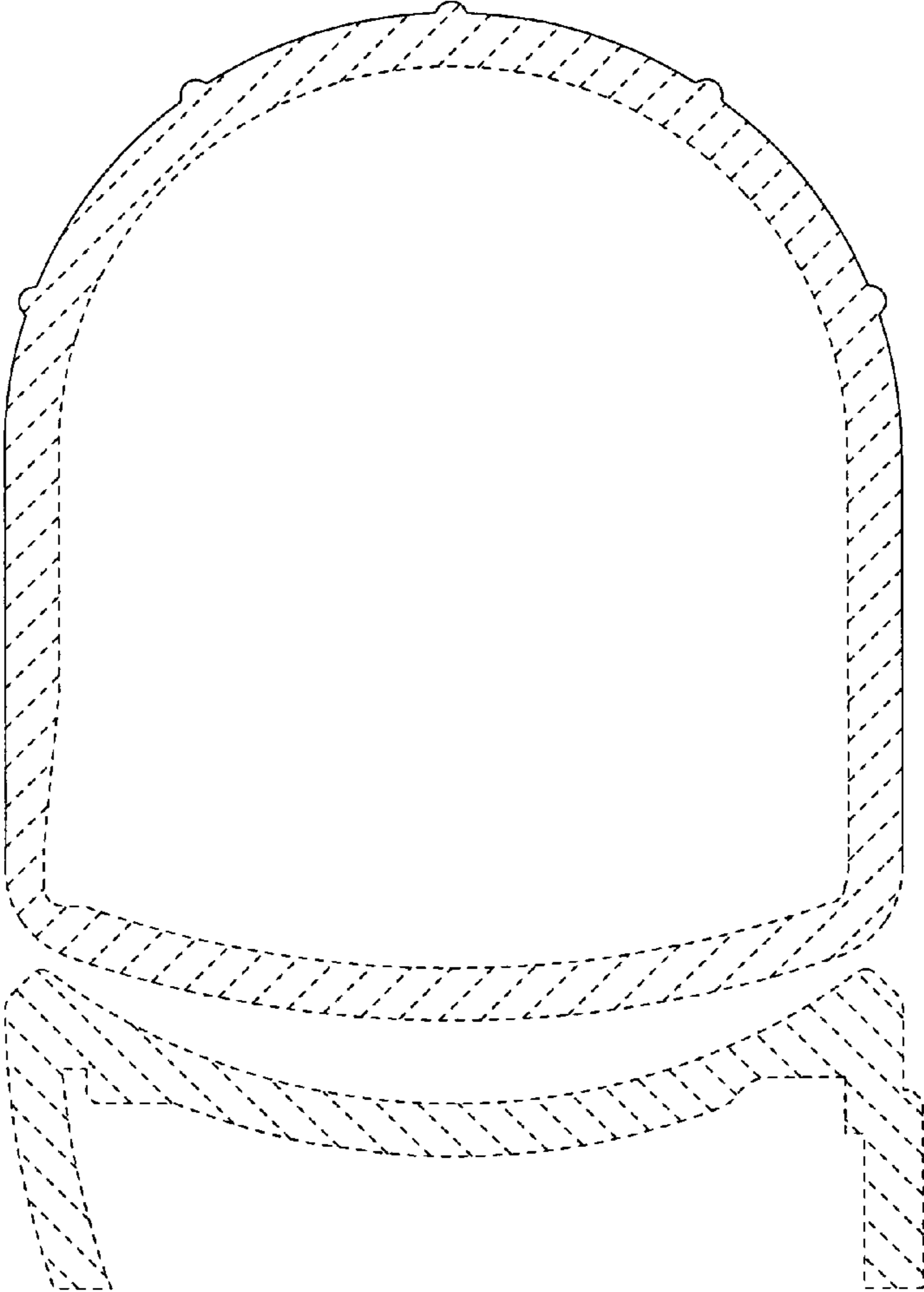


FIG.13

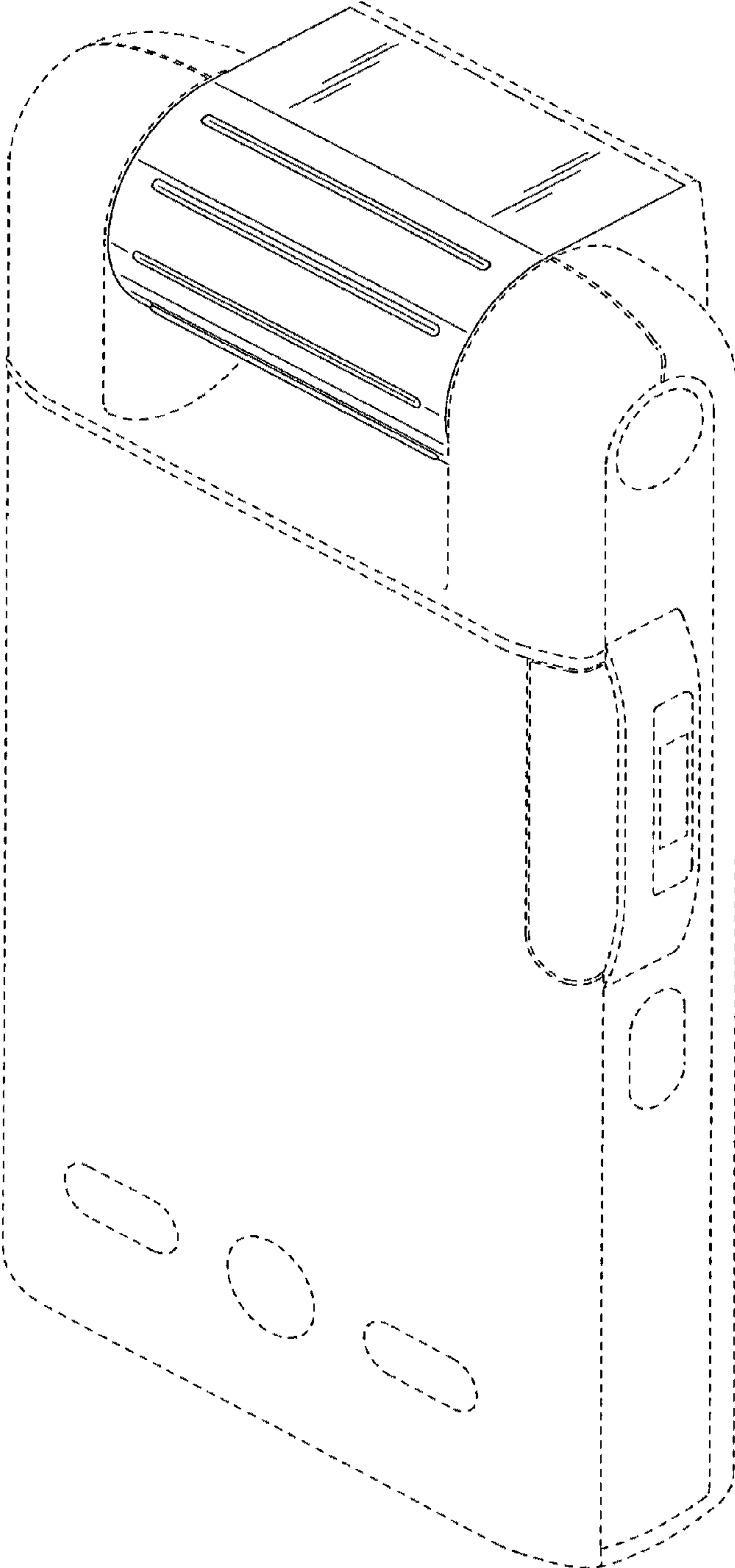


FIG.14

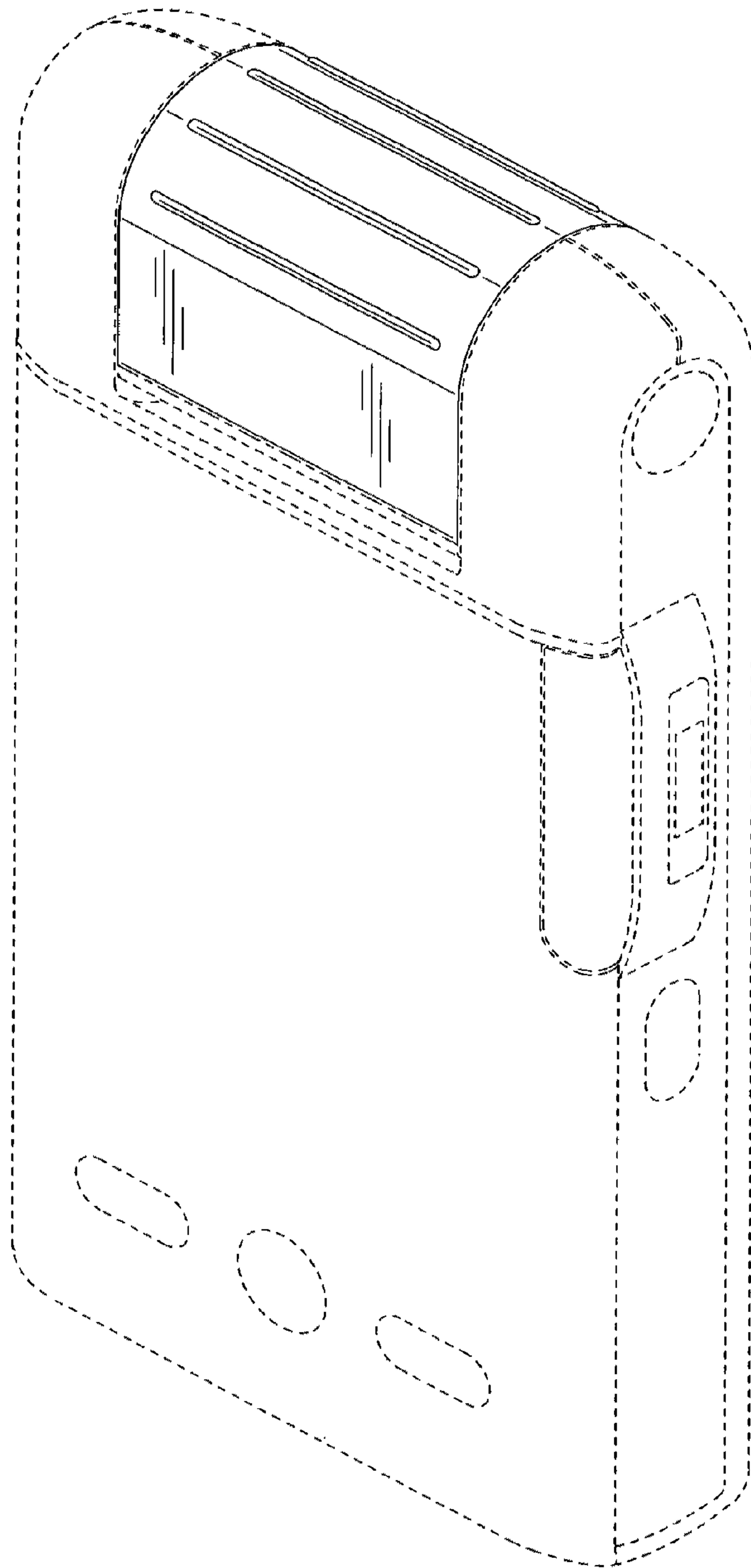


FIG.15

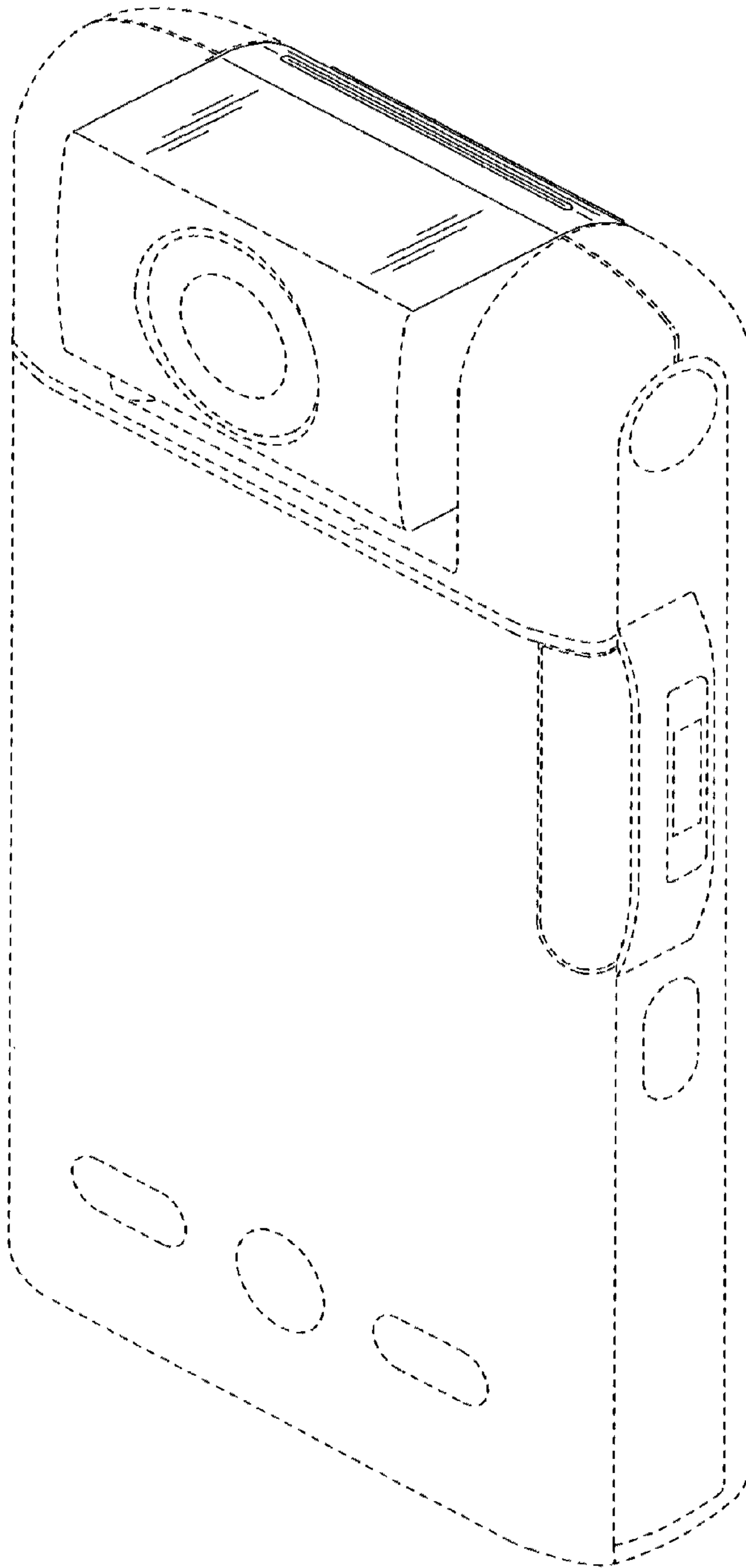


FIG.16

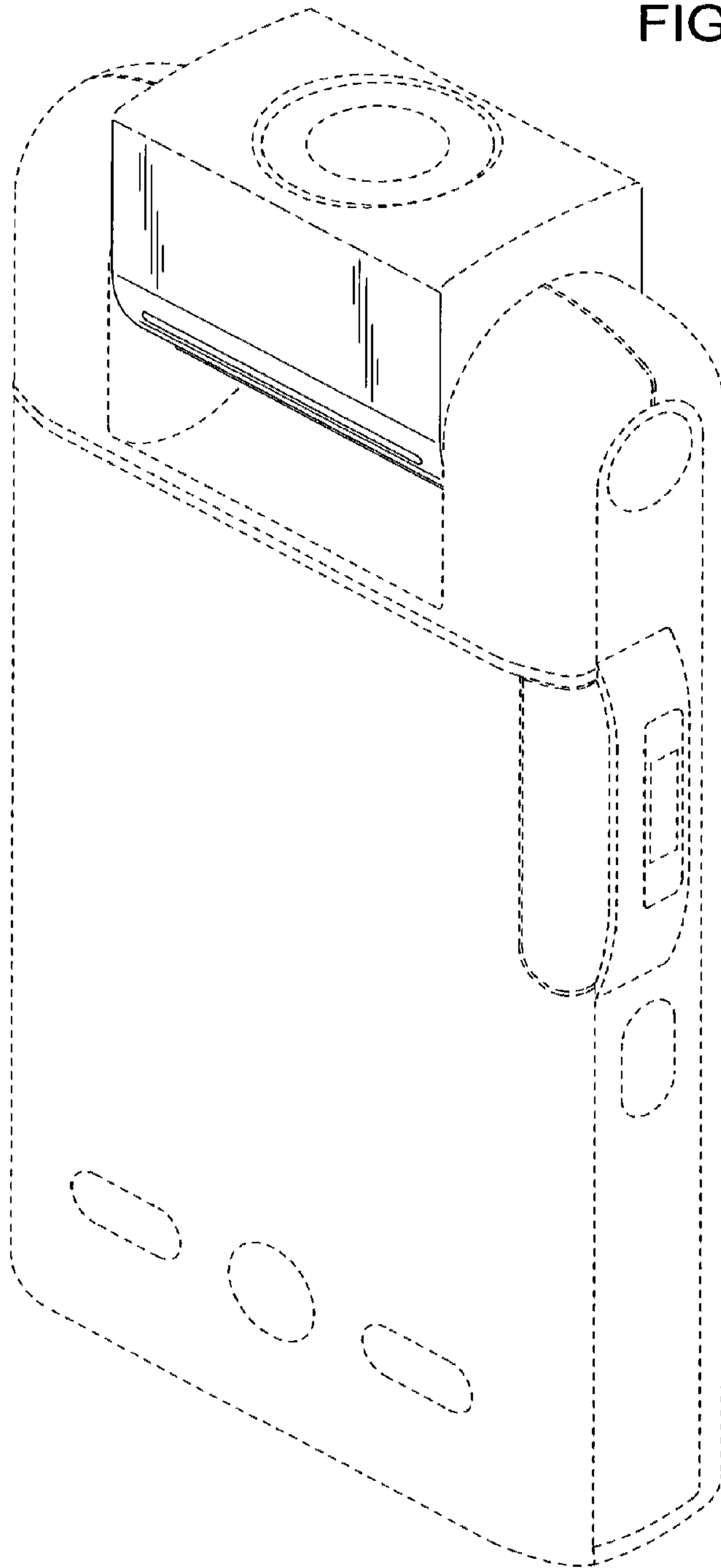


FIG.17

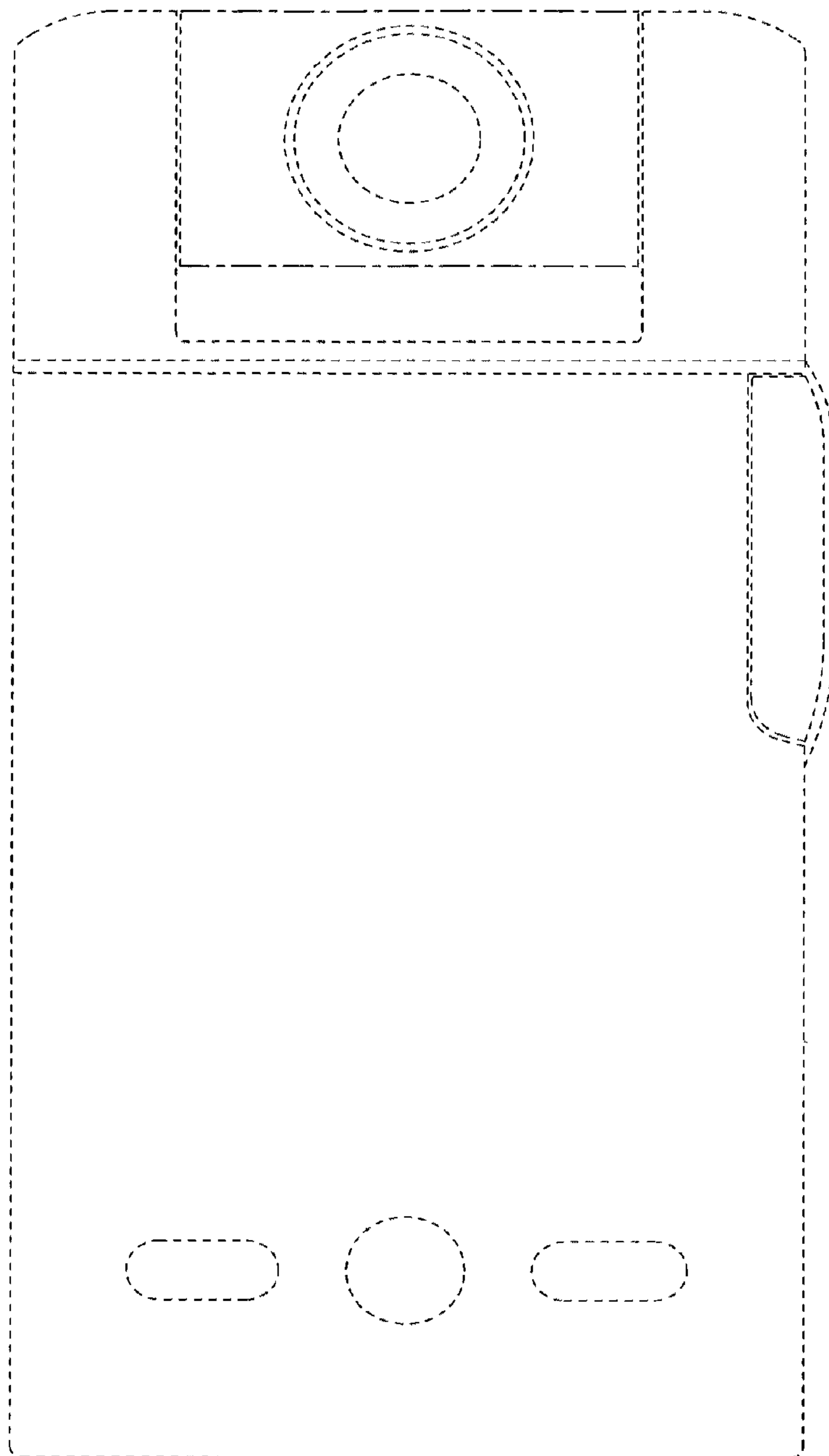


FIG.18

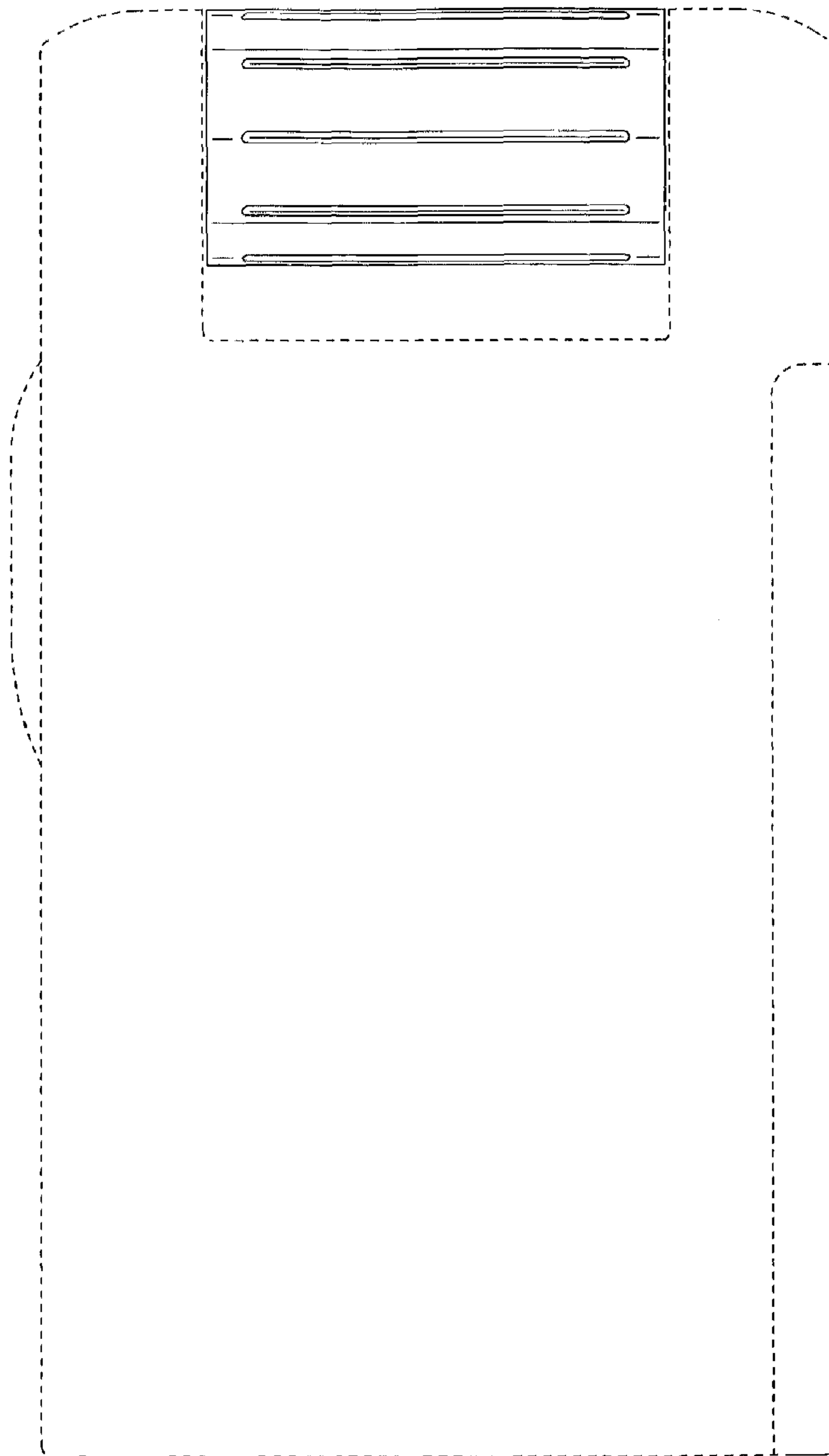


FIG.19

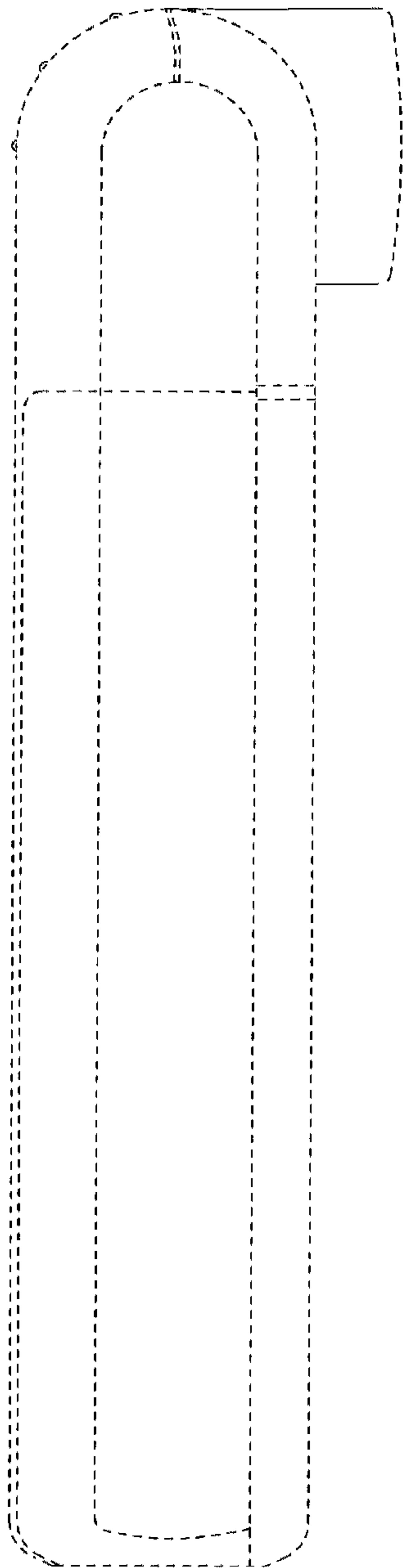


FIG.20

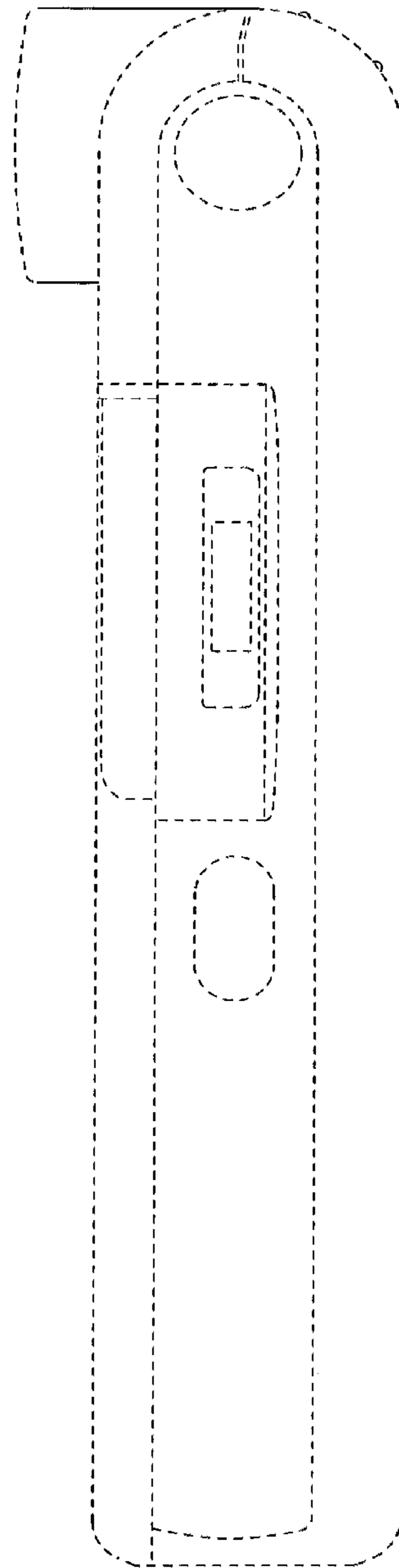


FIG.21

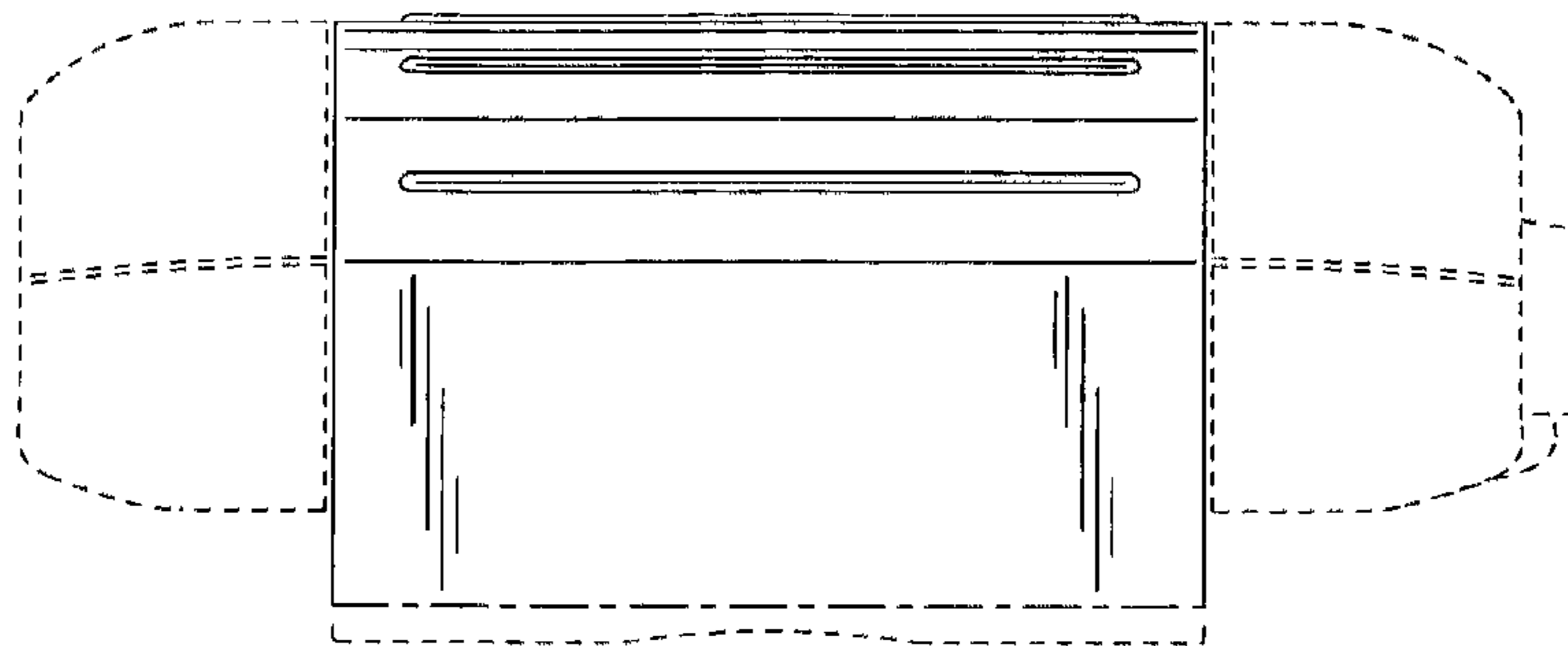
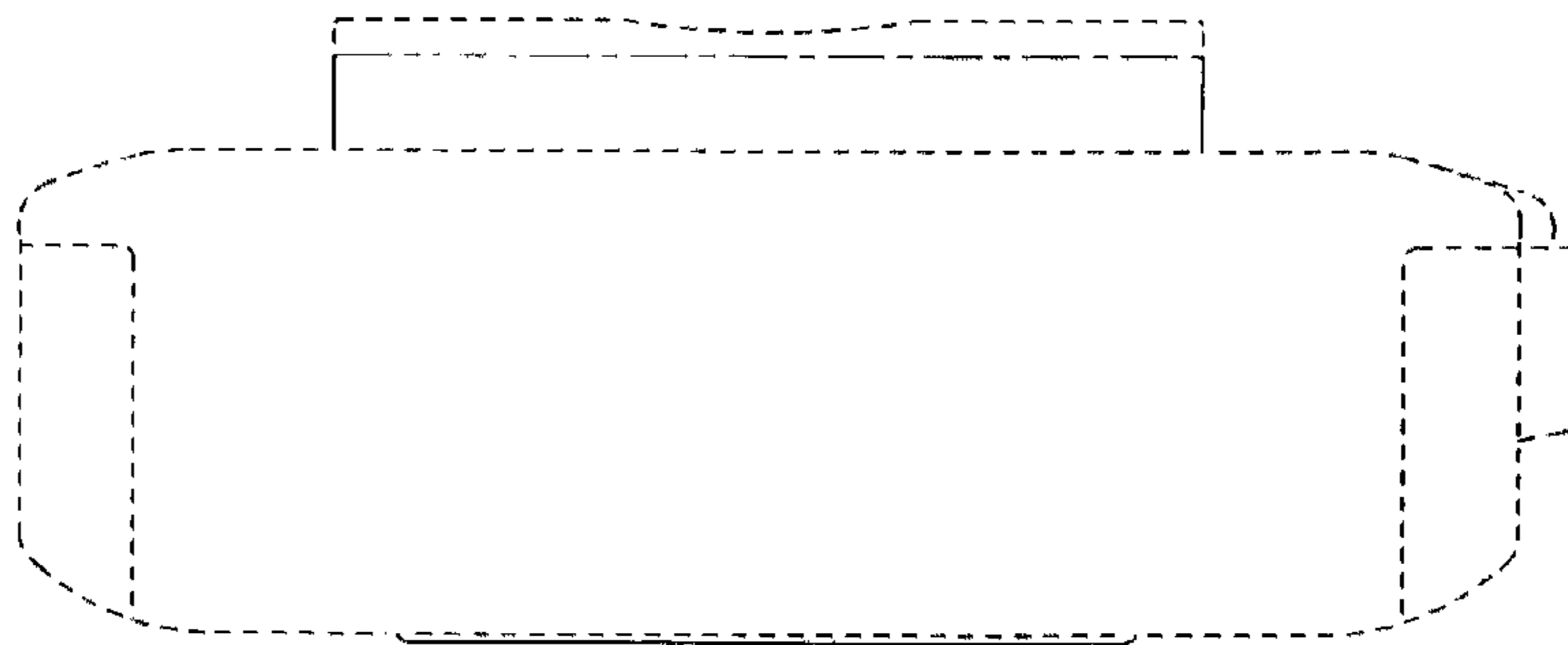


FIG.22



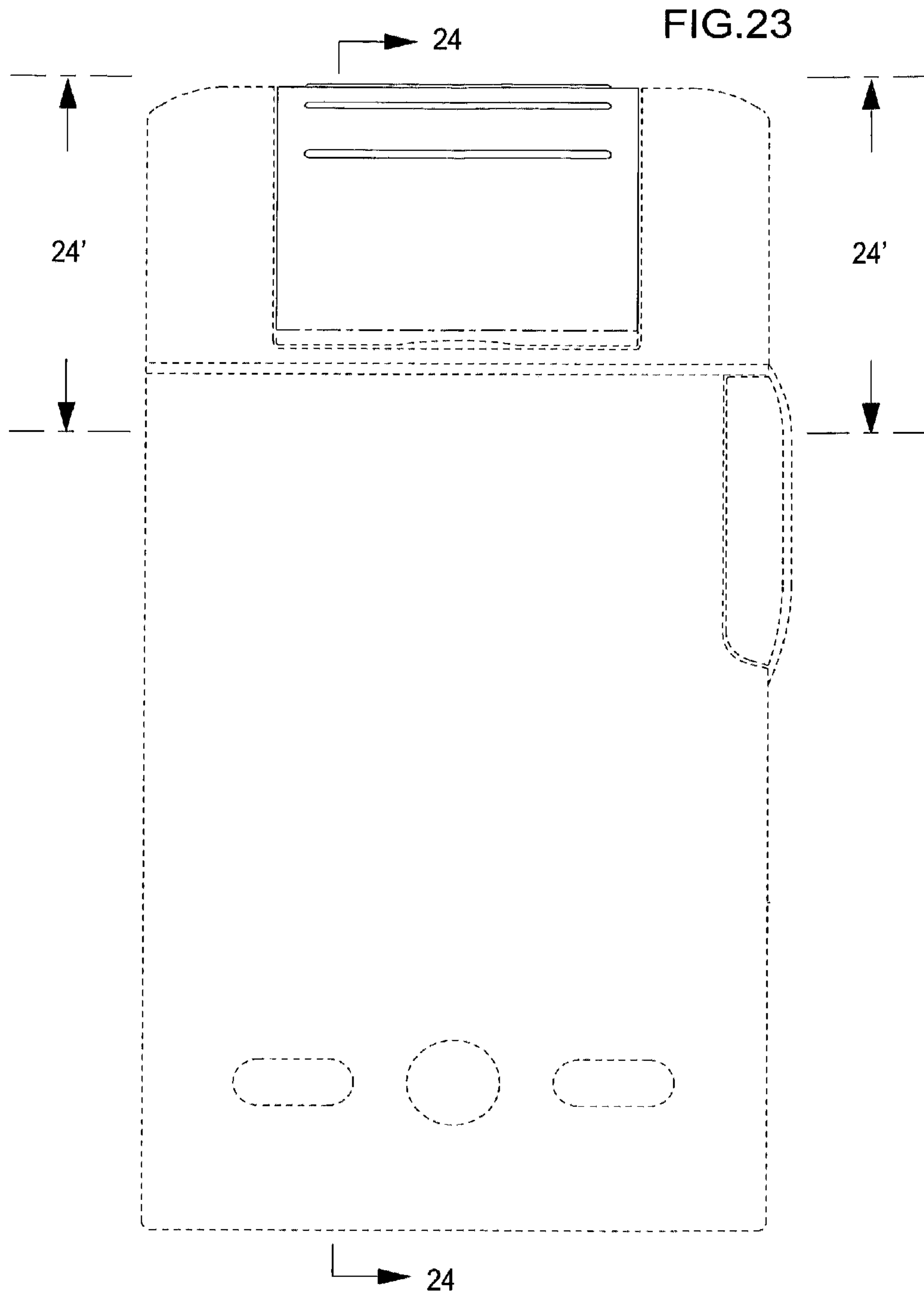


FIG.24

