



US00D673199S

(12) **United States Design Patent**
Muraki et al.

(10) **Patent No.:** **US D673,199 S**
(45) **Date of Patent:** **** Dec. 25, 2012**

(54) **BASE WITH A LIGHT SOURCE FOR OPERATION OF A MICROSCOPE**

(75) Inventors: **Shinjiro Muraki**, Tokyo (JP); **Akio Shindate**, London (GB)

(73) Assignee: **Nikon Corporation**, Tokyo (JP)

(**) Term: **14 Years**

(21) Appl. No.: **29/409,210**

(22) Filed: **Dec. 21, 2011**

(30) **Foreign Application Priority Data**

Jun. 30, 2011 (JP) 2011-015086

(51) **LOC (9) Cl.** **16-06**

(52) **U.S. Cl.** **D16/131**

(58) **Field of Classification Search** D16/131,
D16/130, 136; 359/368, 370, 375, 376, 377,
359/378, 381, 382, 383, 385, 392, 393, 390,
359/391; 250/201.3

See application file for complete search history.

(56) **References Cited**

U.S. PATENT DOCUMENTS

D195,998	S	*	8/1963	Aubock	D16/131
3,721,827	A	*	3/1973	Reinheimer	250/201.3
3,754,809	A	*	8/1973	Harrison	359/390
D252,276	S	*	7/1979	Griffith	D16/131
4,168,881	A	*	9/1979	Rosenberger	359/381
D260,402	S	*	8/1981	Hodgson	D16/131
4,283,111	A	*	8/1981	Wieber et al.	359/381
4,284,327	A	*	8/1981	Kraft et al.	359/388
D265,206	S	*	6/1982	Weber et al.	D16/131
D273,592	S	*	4/1984	Armbruster	D16/131
D276,351	S	*	11/1984	Janke et al.	D16/131
4,573,771	A	*	3/1986	Hill	359/383
D291,702	S	*	9/1987	Kahute	D16/131
D400,548	S	*	11/1998	Komatsuzaki	D16/131

D444,159	S	*	6/2001	Hoelbl et al.	D16/131
D464,068	S	*	10/2002	Asaka et al.	D16/131
D477,008	S	*	7/2003	Asaka et al.	D16/131
D498,247	S	*	11/2004	Suzuki et al.	D16/131
D507,006	S	*	7/2005	Apotheloz et al.	D16/131
D511,786	S	*	11/2005	Apotheloz et al.	D16/131
D516,595	S	*	3/2006	Apotheloz et al.	D16/131
D518,841	S	*	4/2006	Apotheloz et al.	D16/131
7,167,303	B2	*	1/2007	Gilbert	359/368
D579,036	S	*	10/2008	Apotheloz	D16/131
D579,959	S	*	11/2008	Apotheloz	D16/131
D626,162	S	*	10/2010	Suzuki et al.	D16/131
D660,894	S	*	5/2012	Nojima et al.	D16/131
D664,174	S	*	7/2012	Tanaka	D16/131

* cited by examiner

Primary Examiner — Paula Greene

(74) *Attorney, Agent, or Firm* — Wolf, Greenfield & Sacks, P.C.; Randy J. Pritzker

(57) **CLAIM**

The ornamental design for a base with a light source for operation of a microscope, as shown and described.

DESCRIPTION

FIG. 1 is a front, top and right side perspective view of a base with a light source for operation of a microscope showing our new design;

FIG. 2 is a rear, bottom and left side perspective view thereof;

FIG. 3 is a front elevational view thereof;

FIG. 4 is a rear elevational view thereof;

FIG. 5 is a top plan view thereof;

FIG. 6 is a bottom plan view thereof;

FIG. 7 is a right side elevational view thereof; and,

FIG. 8 is a left side elevational view thereof.

The features shown in broken lines in the drawings depict environmental subject matter only and form no part of the claimed design. The dot-dashed lines denote the boundary of the claim and form no part of the claimed design.

1 Claim, 8 Drawing Sheets

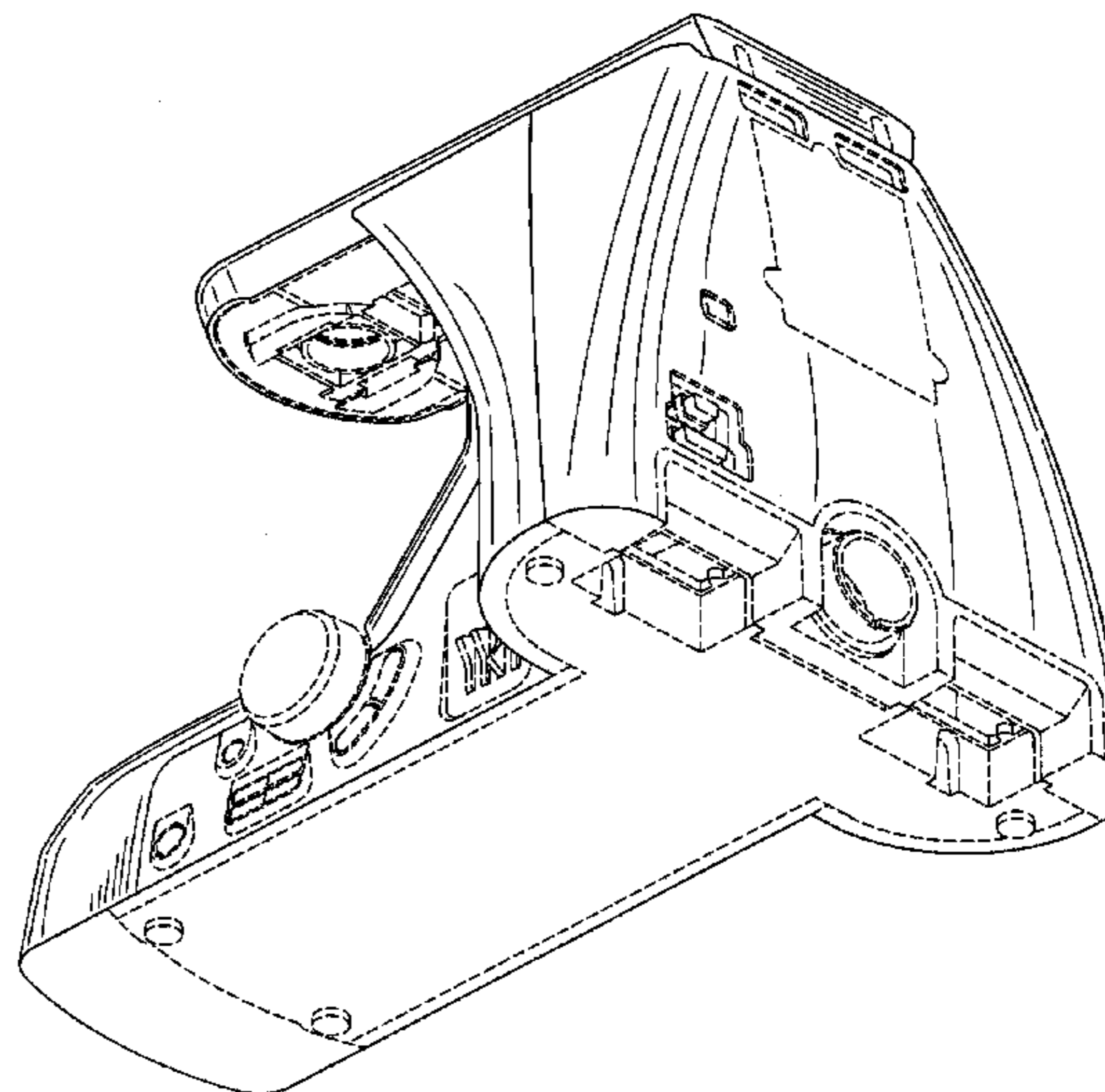
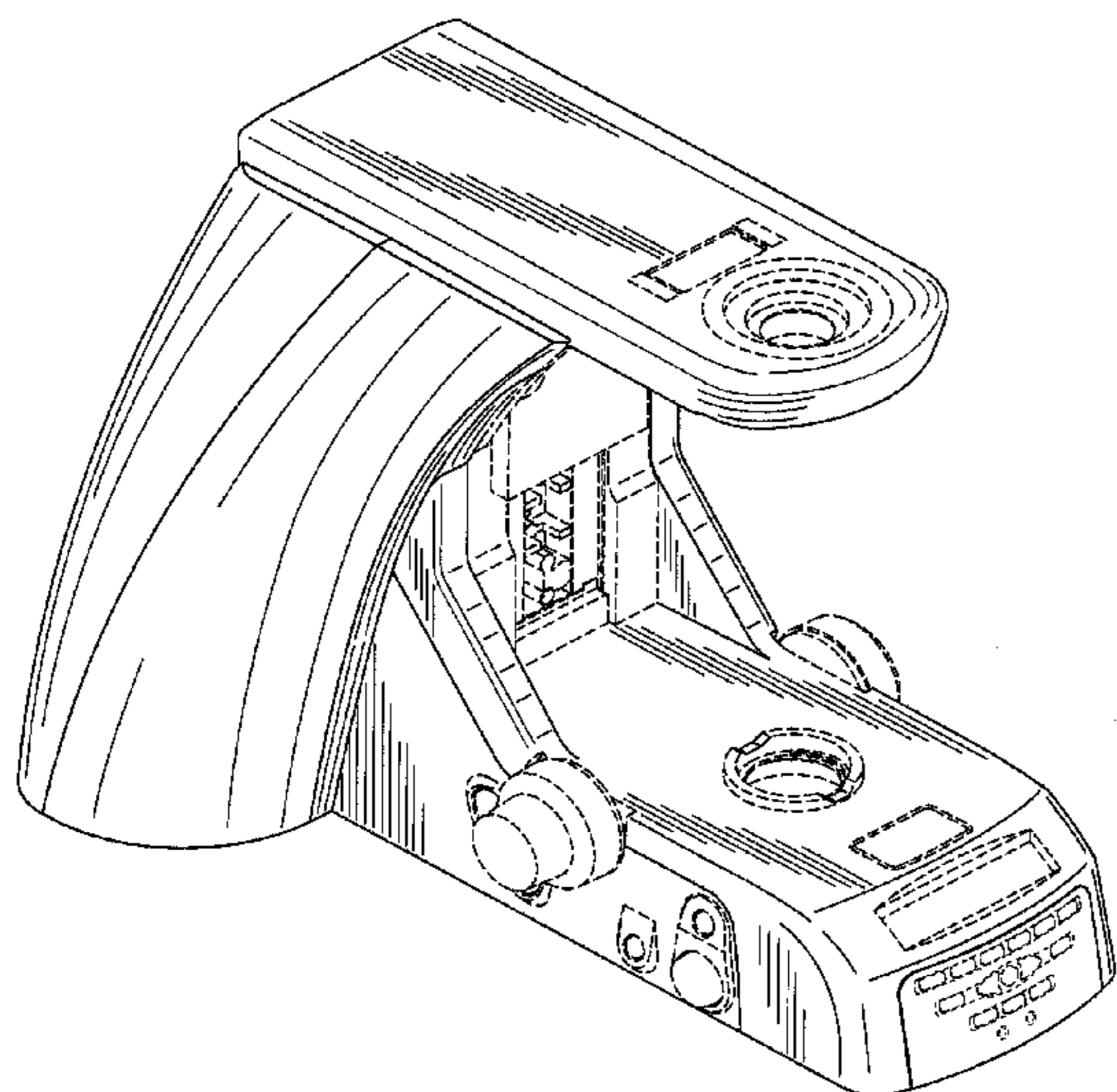


FIG. 1

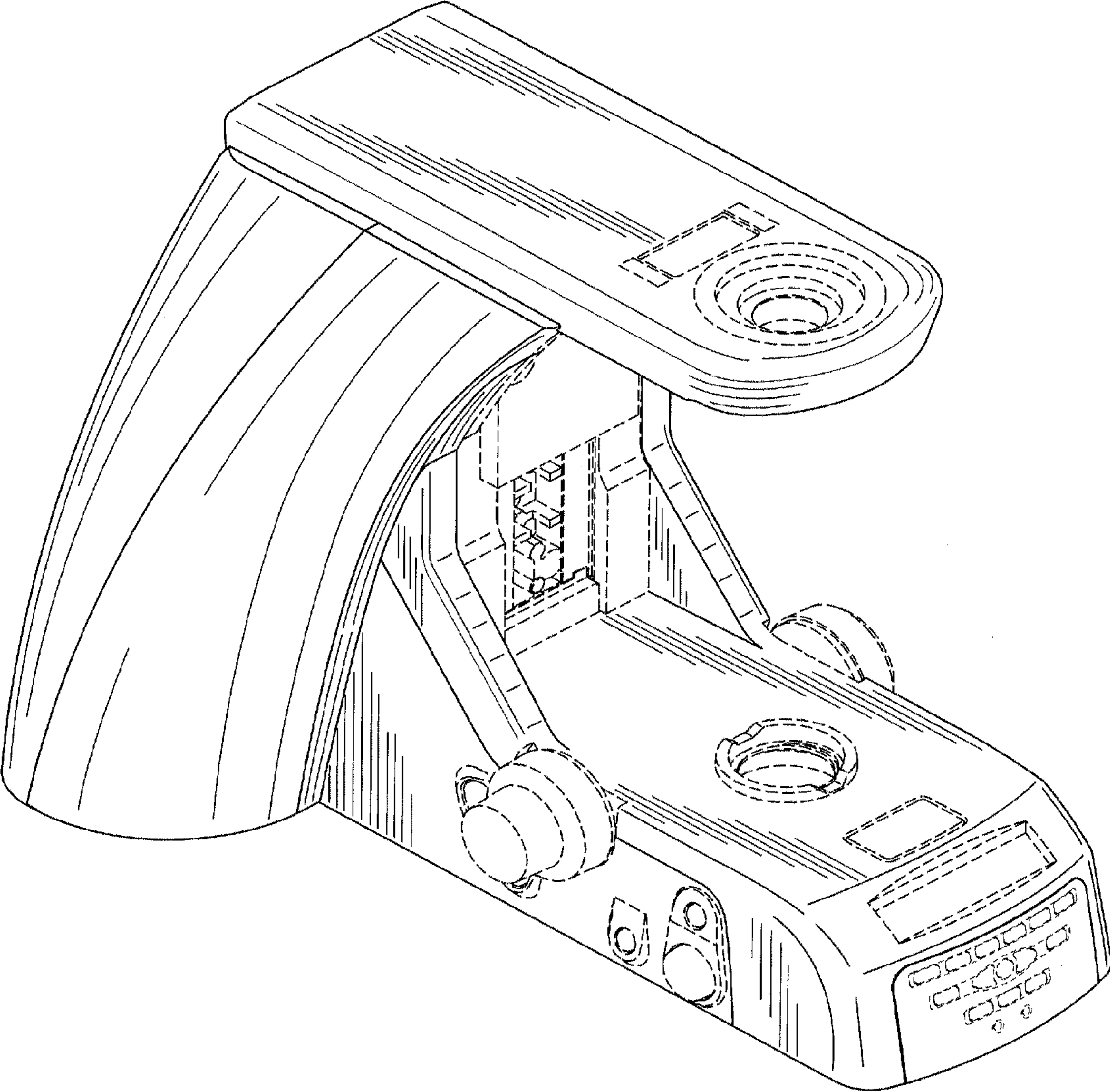


FIG. 2

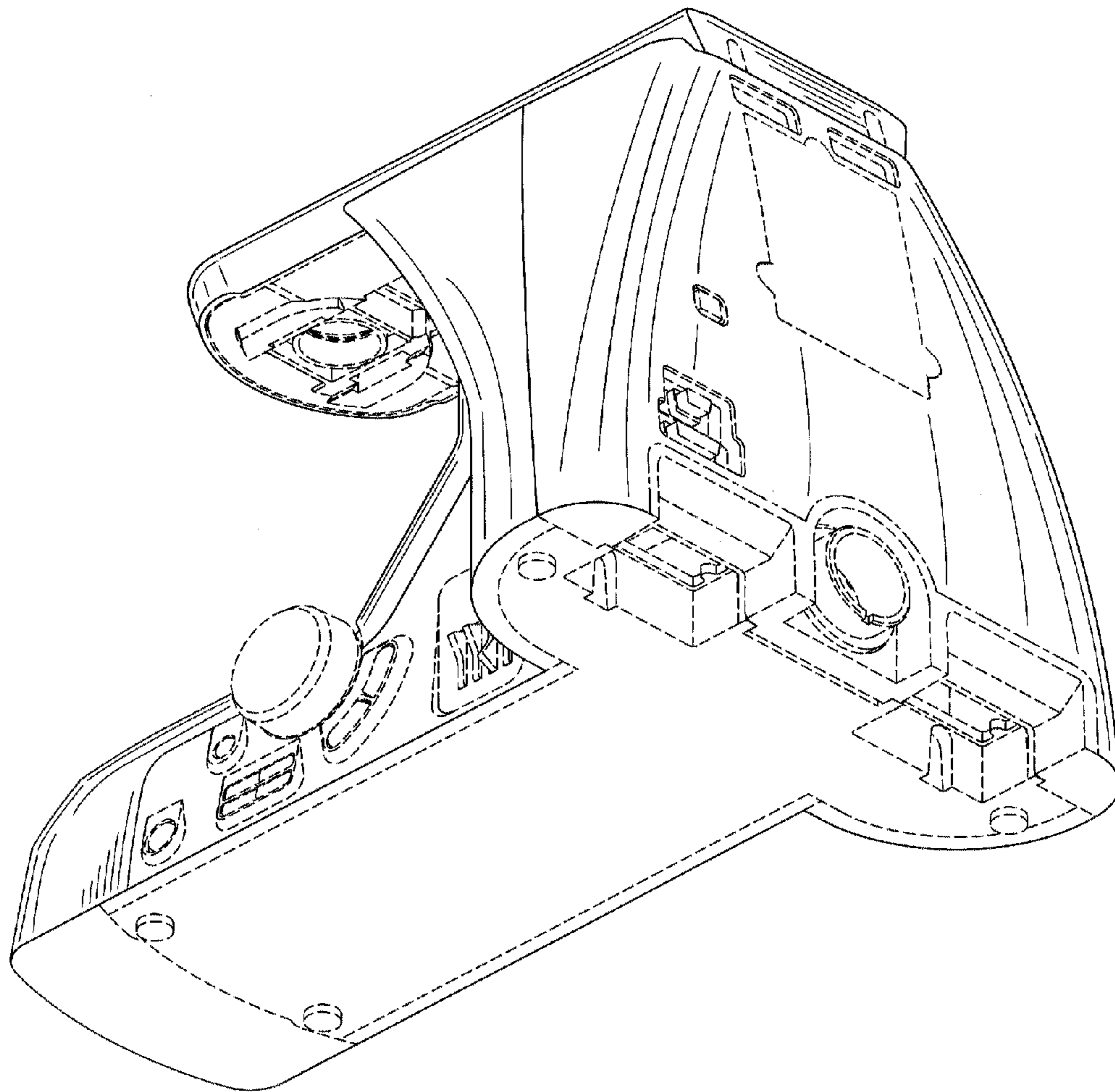


FIG. 3

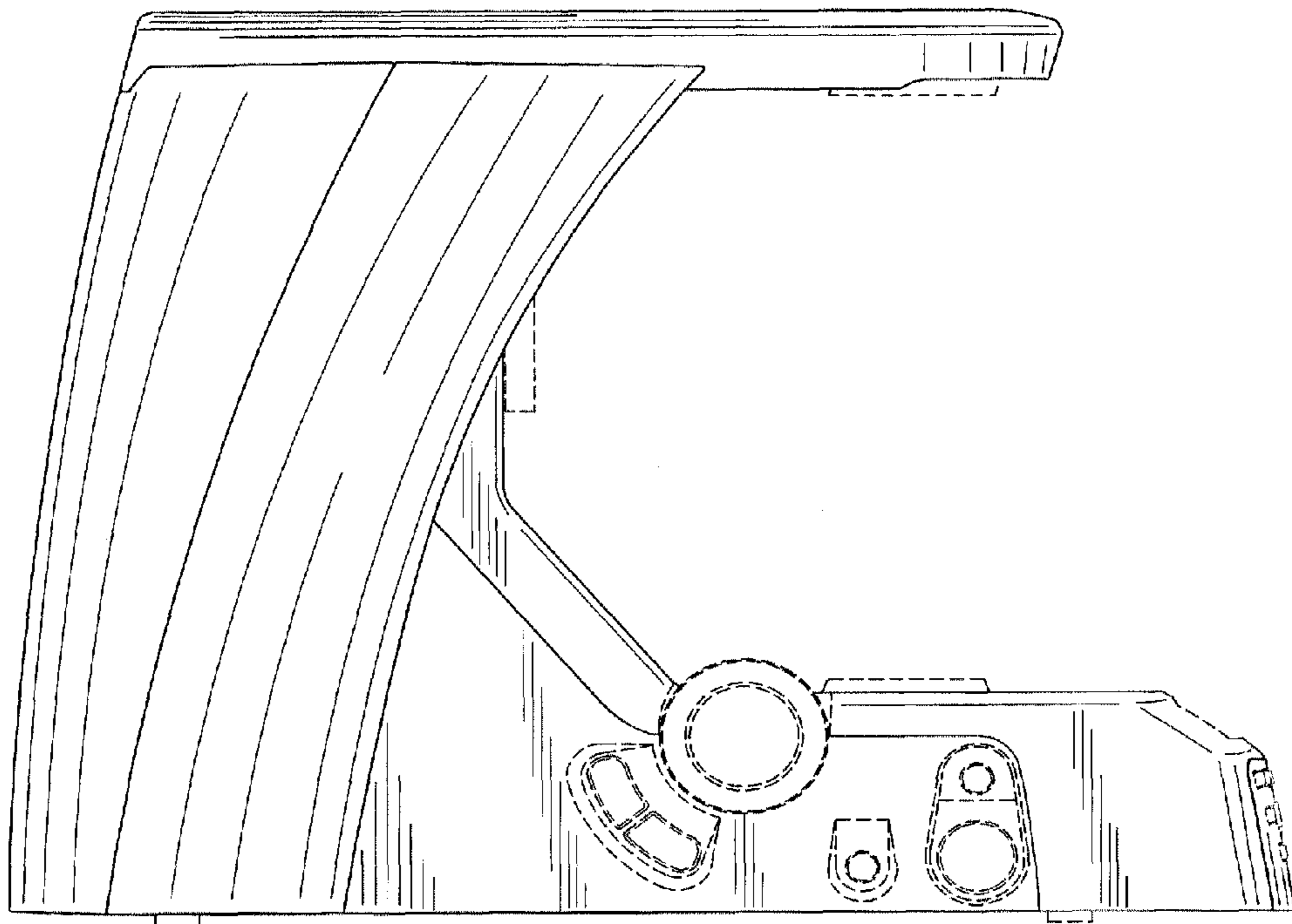


FIG. 4

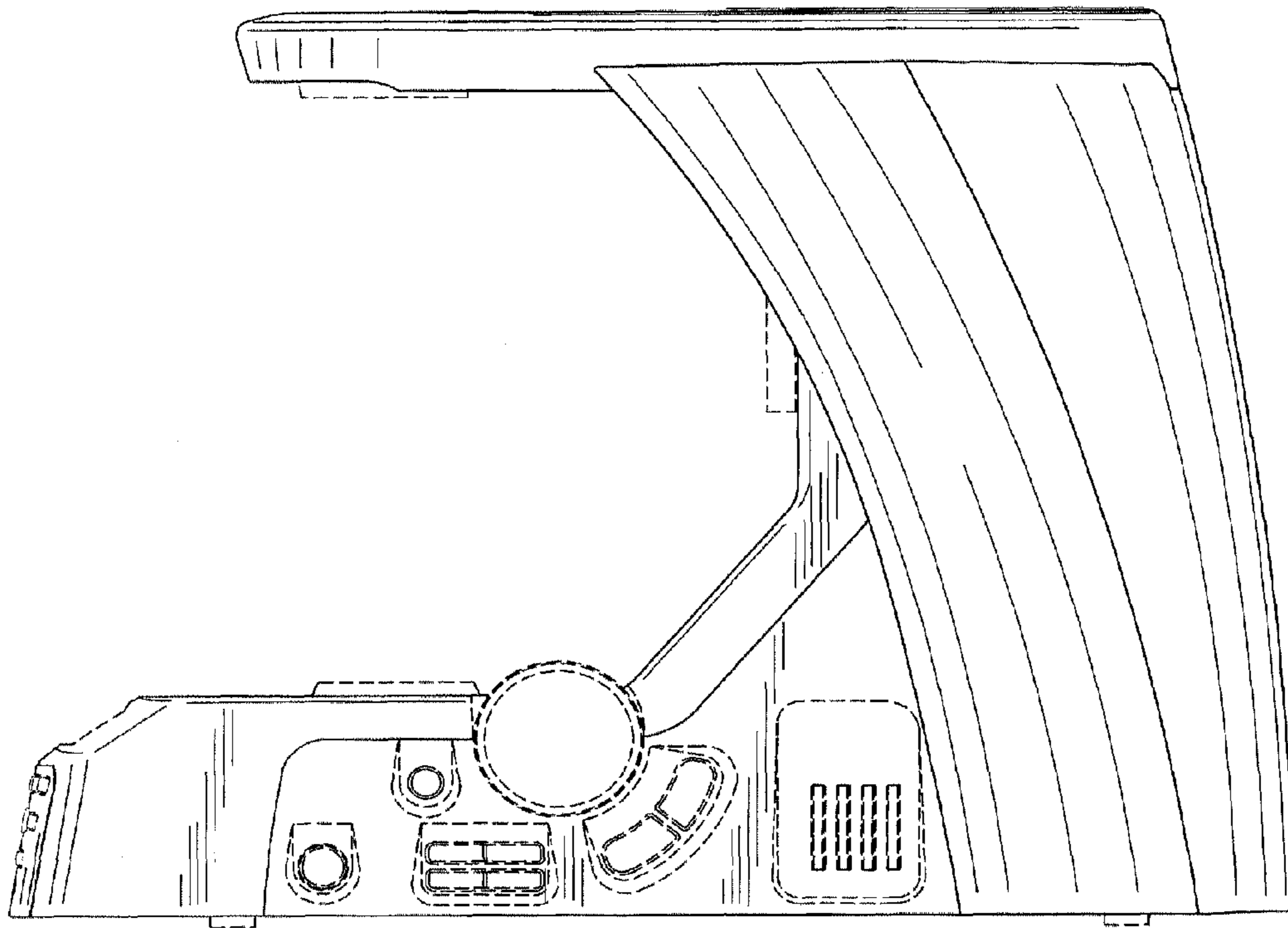


FIG. 5

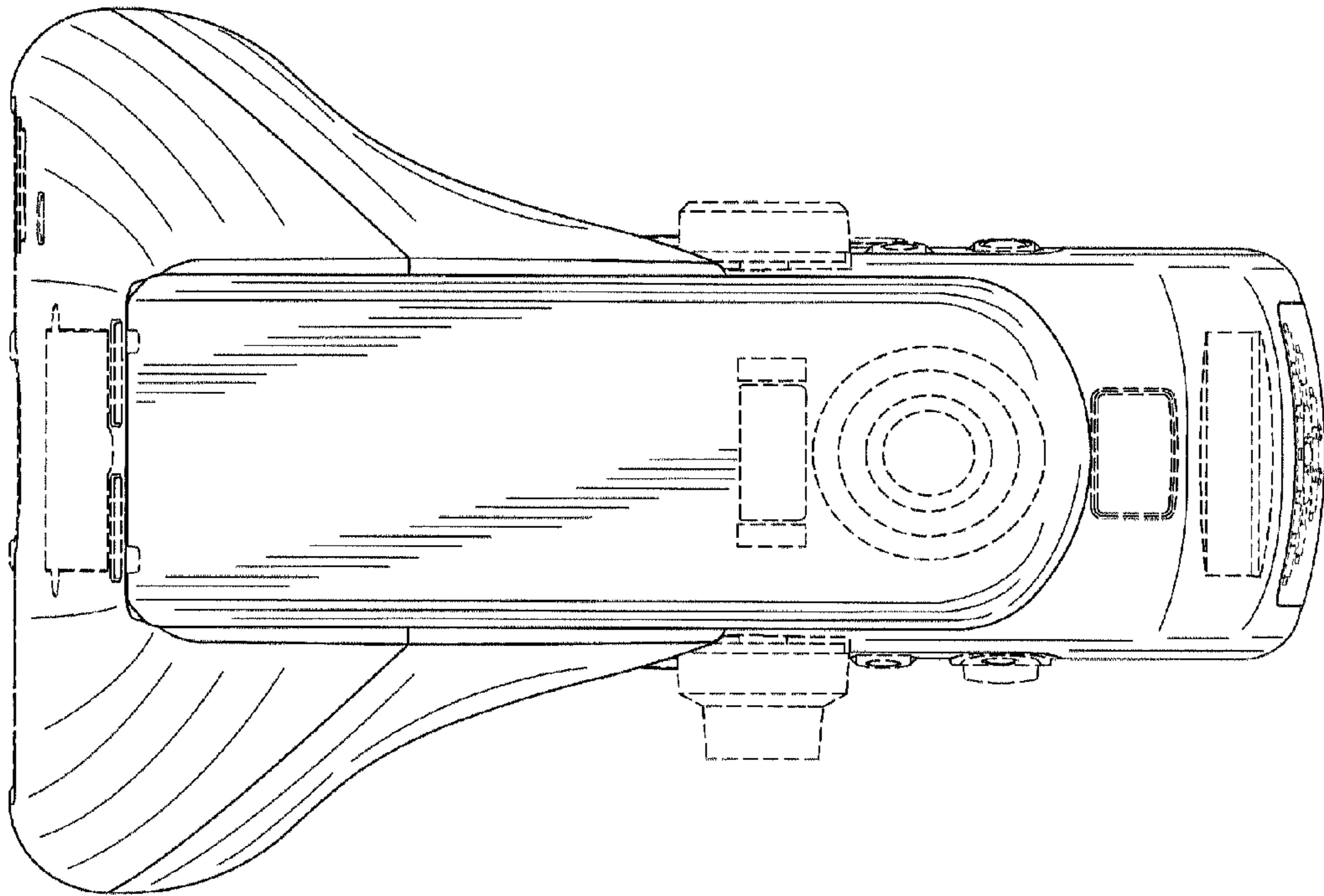


FIG. 6

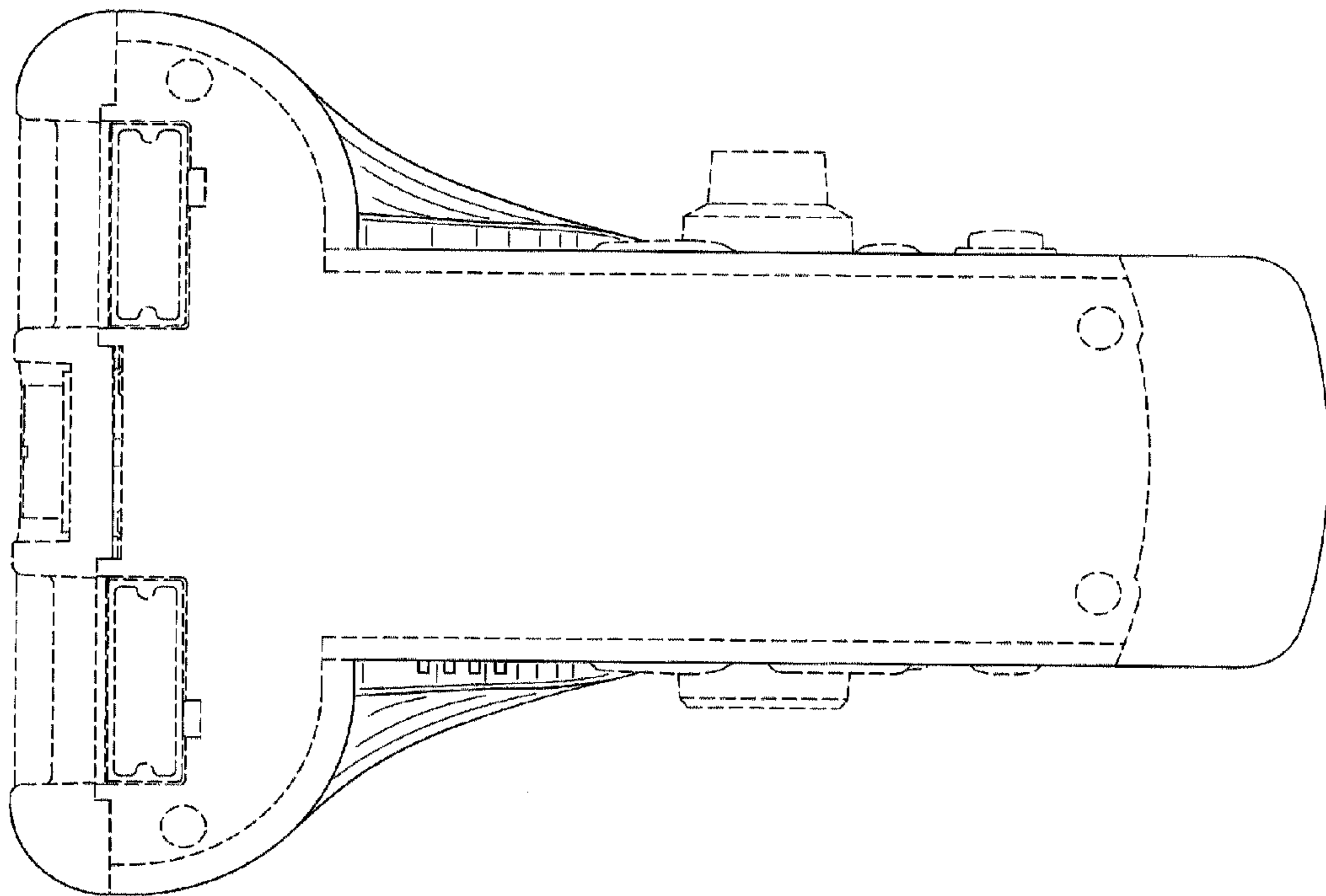


FIG. 7

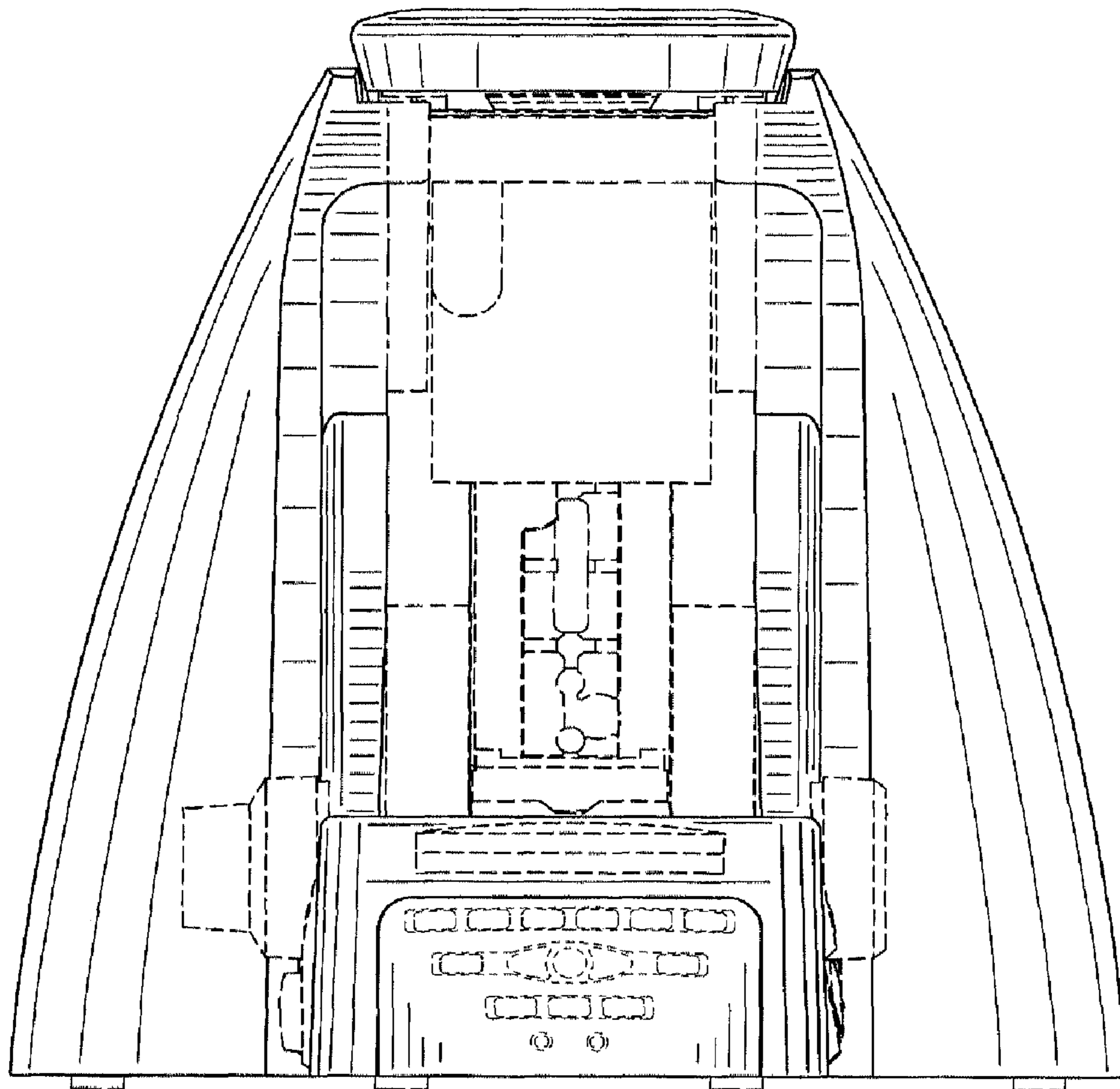


FIG. 8

