



US00D673198S

(12) **United States Design Patent**
Schneider

(10) **Patent No.:** **US D673,198 S**

(45) **Date of Patent:** **** Dec. 25, 2012**

(54) **OPTIC DEVICE SECURING STRUCTURE**

(75) Inventor: **Steven M. Schneider**, Germantown, WI (US)

(73) Assignee: **Satisloh North America, Inc.**, Germantown, WI (US)

(**) Term: **14 Years**

(21) Appl. No.: **29/426,831**

(22) Filed: **Jul. 11, 2012**

Related U.S. Application Data

(62) Division of application No. 29/387,633, filed on Mar. 16, 2011.

(51) **LOC (9) Cl.** **16-06**

(52) **U.S. Cl.** **D16/130**

(58) **Field of Classification Search** D16/130, D16/136, 228; D8/356, 349, 352, 382, 386, D8/323, 327, 399; D14/204, 215, 216, 217, D14/219, 221, 225; 351/120, 140, 153; D23/233
See application file for complete search history.

(56) **References Cited**

U.S. PATENT DOCUMENTS

1,184,496	A	5/1916	Stenvall	
D52,425	S	9/1918	Blackmore	
2,225,193	A *	12/1940	Benner et al.	451/542
D136,473	S	10/1943	Hutson	
2,573,668	A	10/1951	Long et al.	
2,853,925	A *	9/1958	Lee	359/827
2,861,402	A	11/1958	Okenfuss	
2,953,970	A *	9/1960	Maynard	359/611
3,118,198	A	1/1964	Prunier	
3,383,808	A	5/1968	Deshayes et al.	
3,970,267	A *	7/1976	Sheetz	242/608.4
3,996,701	A *	12/1976	Ramirez et al.	451/390
D244,808	S *	6/1977	Ubermuth	D3/24
4,066,330	A *	1/1978	Jones	359/503
4,089,102	A *	5/1978	Soper et al.	29/527.5
D263,679	S *	4/1982	Friberg	D8/399
4,358,913	A *	11/1982	Sorrells	451/390
D271,209	S *	11/1983	Feinbloom	D16/237
D272,745	S *	2/1984	Feinbloom et al.	D16/130

4,449,236	A *	5/1984	Walker, Jr.	381/91
4,733,945	A	3/1988	Bacich	
4,844,606	A *	7/1989	Smith	351/153
4,867,563	A *	9/1989	Wurm et al.	356/328
4,915,663	A *	4/1990	Magers	446/219
4,951,349	A *	8/1990	Dietrich et al.	16/228
5,011,274	A *	4/1991	Wagner	351/121
5,069,586	A *	12/1991	Casey	411/339
5,177,907	A *	1/1993	Rothe et al.	451/390
D334,880	S *	4/1993	Davey	D8/352
5,249,082	A	9/1993	Newman	

(Continued)

OTHER PUBLICATIONS

U.S. Appl. No. 61/453,513 entitled "Securing Structure for Optic Device", filed with the United States Patent & Trademark Office on Mar. 16, 2011.

(Continued)

Primary Examiner — Paula Greene

(74) *Attorney, Agent, or Firm* — Whyte Hirschboeck Dudek S.C.

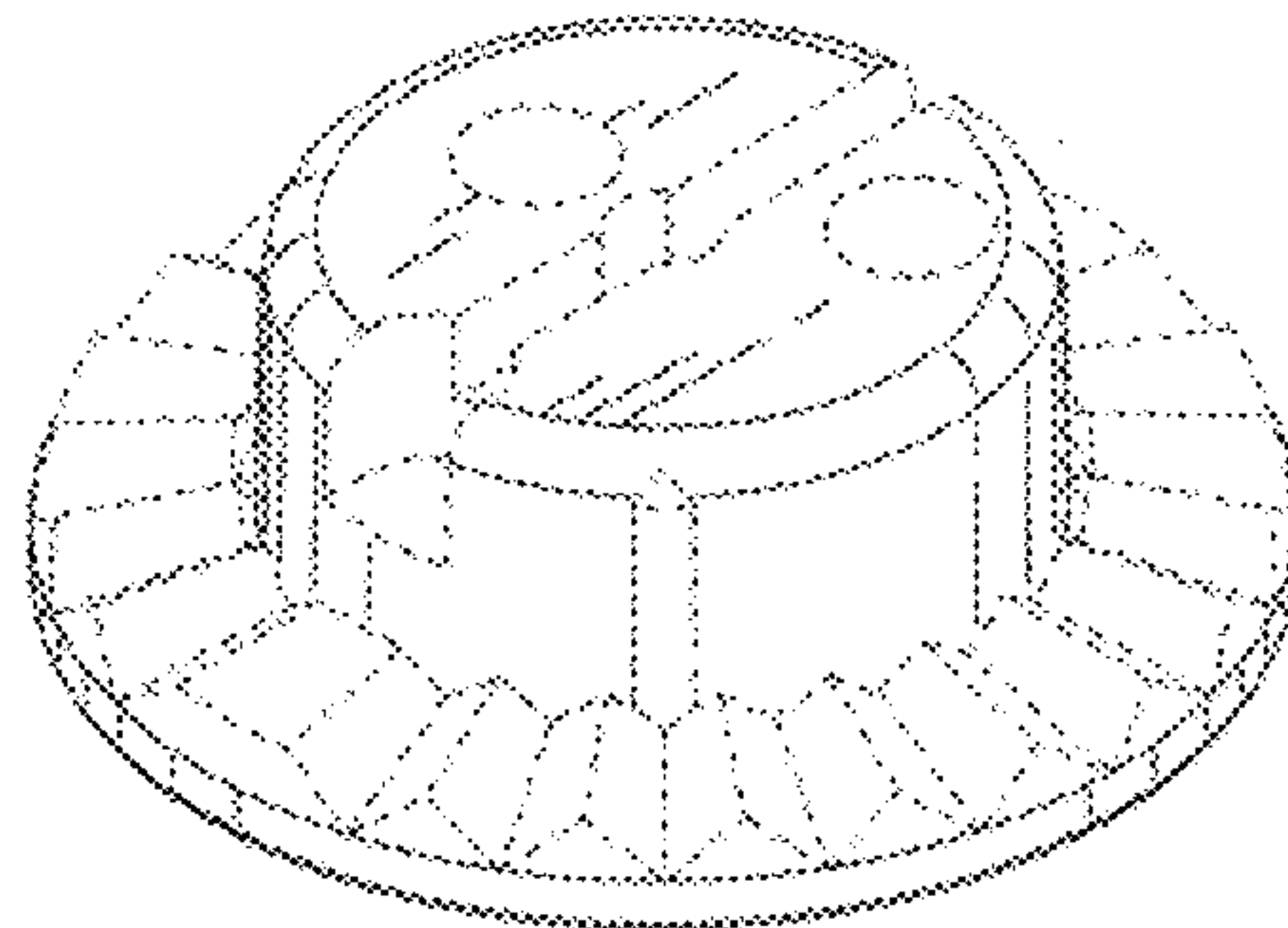
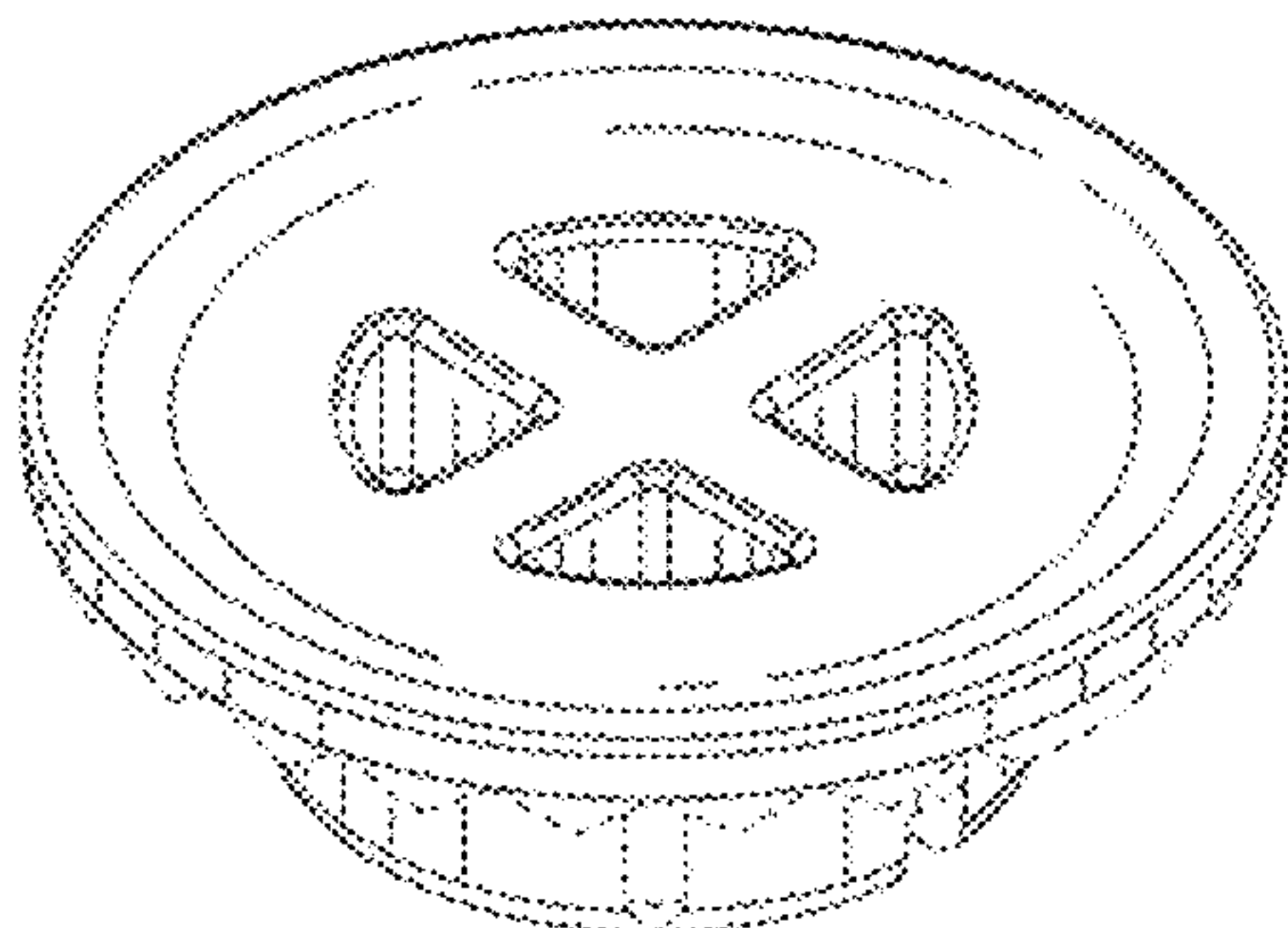
(57) **CLAIM**

The ornamental design for an optic device securing structure, as shown and described.

DESCRIPTION

FIG. 1 is a top perspective view of an optic device securing structure showing my new design; FIG. 2 is a bottom perspective view thereof; FIG. 3 is a top view thereof; FIG. 4 is a bottom view thereof; FIG. 5 is a first side view thereof; FIG. 6 is a second side view thereof; FIG. 7 is a front view thereof; and, FIG. 8 is a rear view thereof. The broken lines shown in FIGS. 1-8, that are immediately adjacent to the shaded areas, and define unshaded regions, represent the bounds of the first embodiment, while all other broken lines are directed to environment and are for illustrative purposes only. The broken lines form no part of the first embodiment.

1 Claim, 3 Drawing Sheets



US D673,198 S

Page 2

U.S. PATENT DOCUMENTS

5,455,711	A *	10/1995	Palmer	359/353	6,467,902	B2 *	10/2002	Wang-Lee	351/120
5,466,106	A	11/1995	Bone et al.			6,561,886	B2	5/2003	Roberts et al.		
5,496,209	A *	3/1996	Gaebe	451/548	6,641,466	B2	11/2003	Wallendorf et al.		
5,565,937	A *	10/1996	Lee	351/120	6,704,429	B2 *	3/2004	Lin	381/380
5,619,770	A	4/1997	Bell			6,742,891	B2 *	6/2004	Chen	351/140
5,627,610	A *	5/1997	Marui et al.	351/141	7,066,797	B2	6/2006	Volken et al.		
5,638,147	A *	6/1997	Wang-Lee	351/120	D524,911	S *	7/2006	Thompson et al.	D23/233
5,649,856	A	7/1997	Cook			D531,620	S *	11/2006	Tanaka et al.	D14/221
5,669,807	A	9/1997	Moreau et al.			7,289,640	B2 *	10/2007	Tsai et al.	381/380
5,748,281	A *	5/1998	Simioni et al.	351/121	7,500,908	B2	3/2009	Achy et al.		
5,760,867	A *	6/1998	Pernicka et al.	351/120	7,555,134	B2 *	6/2009	Dunn et al.	381/309
5,916,017	A	6/1999	Sedlock								
6,074,290	A *	6/2000	Ko et al.	451/390						
6,163,926	A *	12/2000	Watanabe	16/228						
D443,811	S *	6/2001	Tisbo	D8/356						
6,375,554	B1	4/2002	Murray et al.								
6,400,516	B1	6/2002	Spinali								

OTHER PUBLICATIONS

U.S. Appl. No. 13/421,208 entitled "Securing Structure for Optic Device", filed with the United States Patent & Trademark Office on Mar. 15, 2012.

* cited by examiner

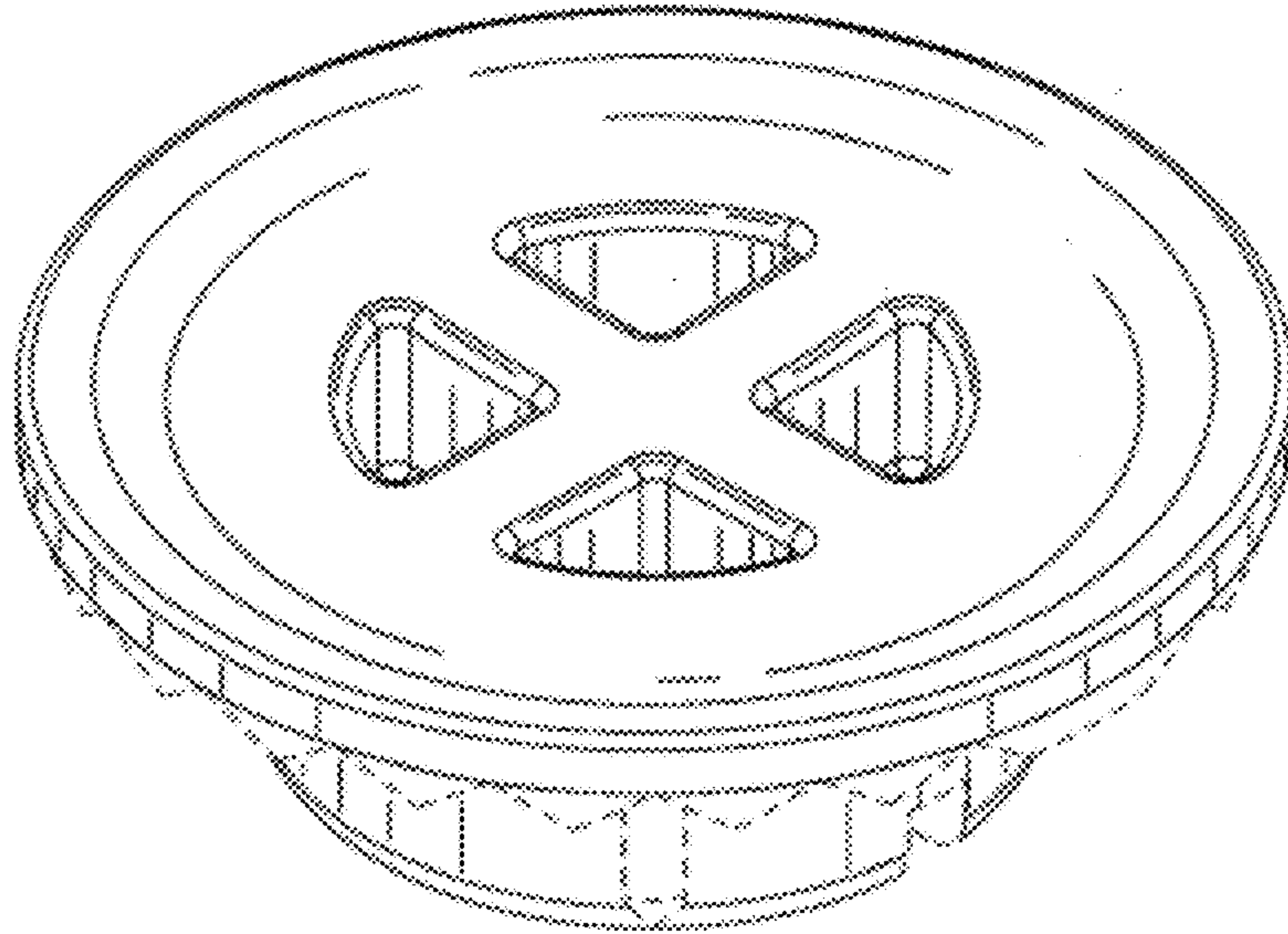


FIG. 1

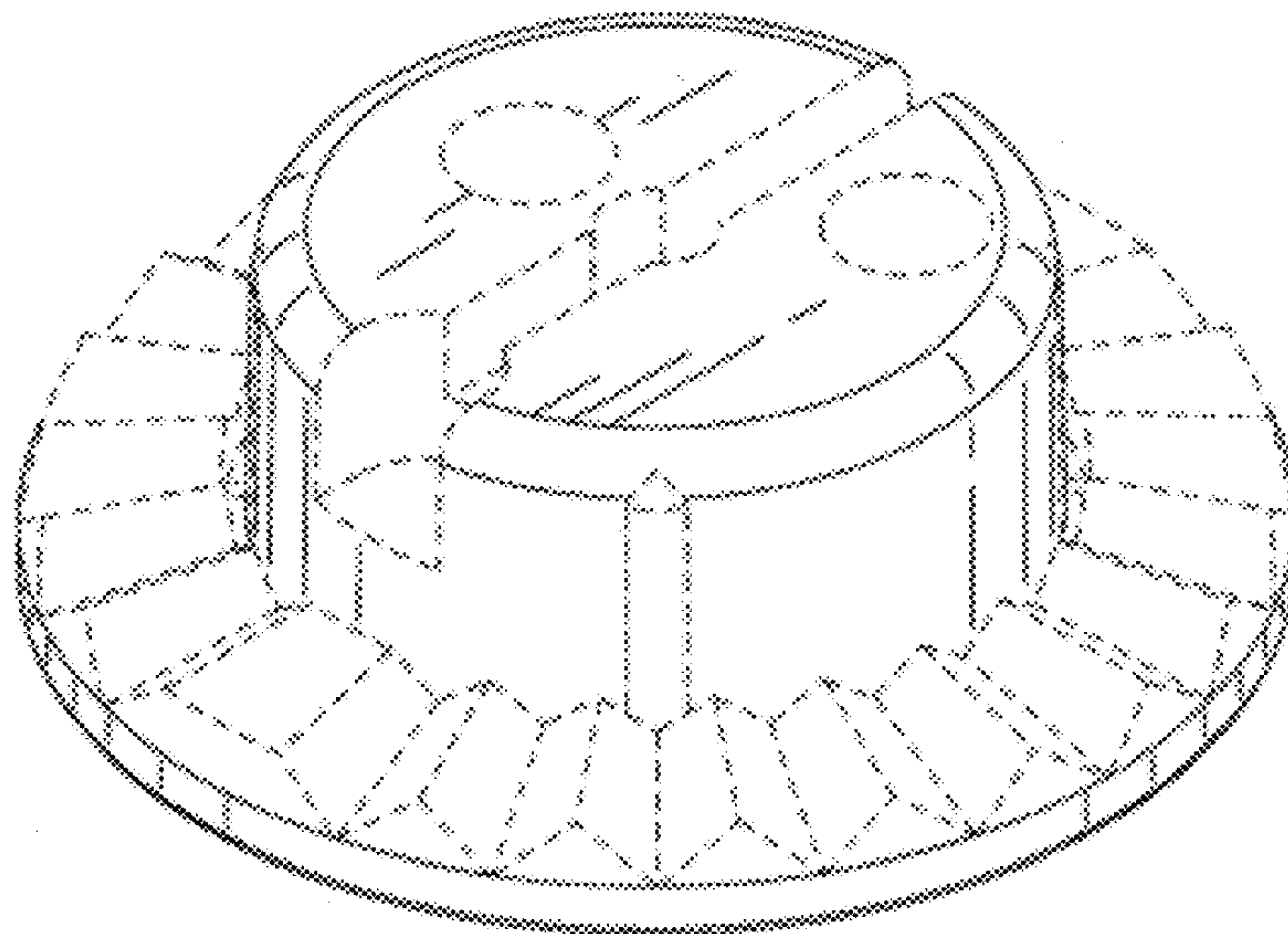


FIG. 2

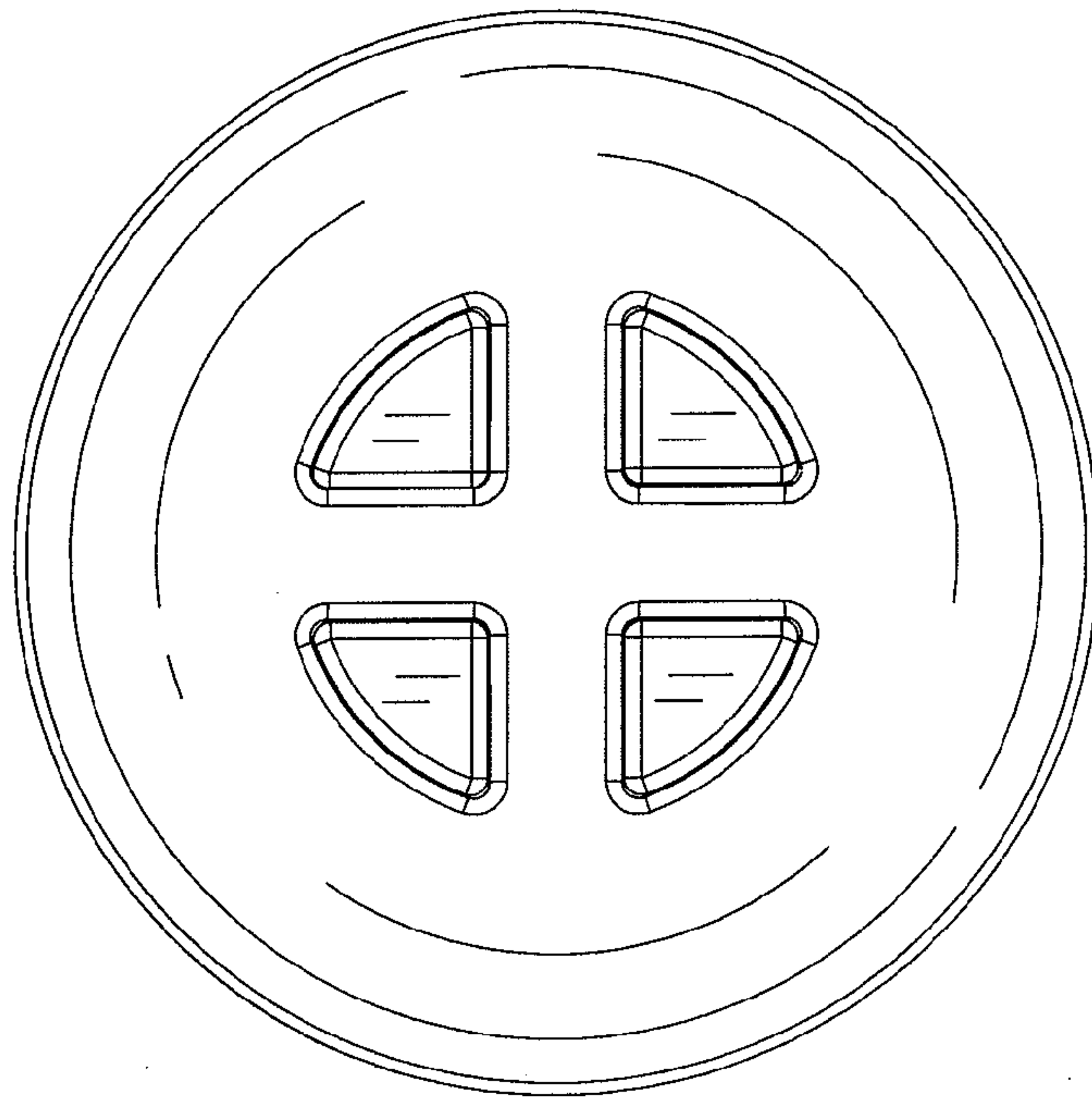


FIG. 3

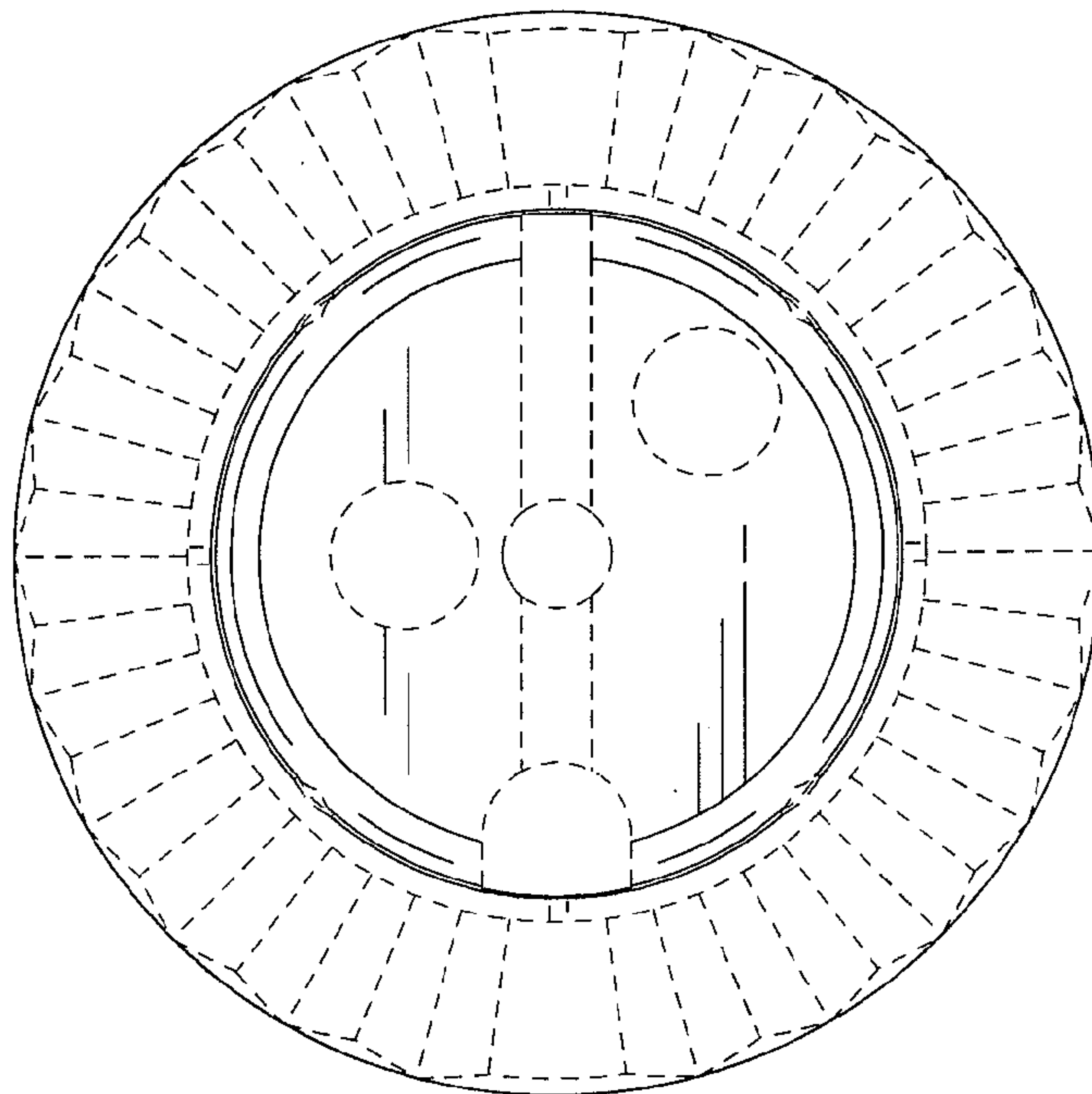


FIG. 4

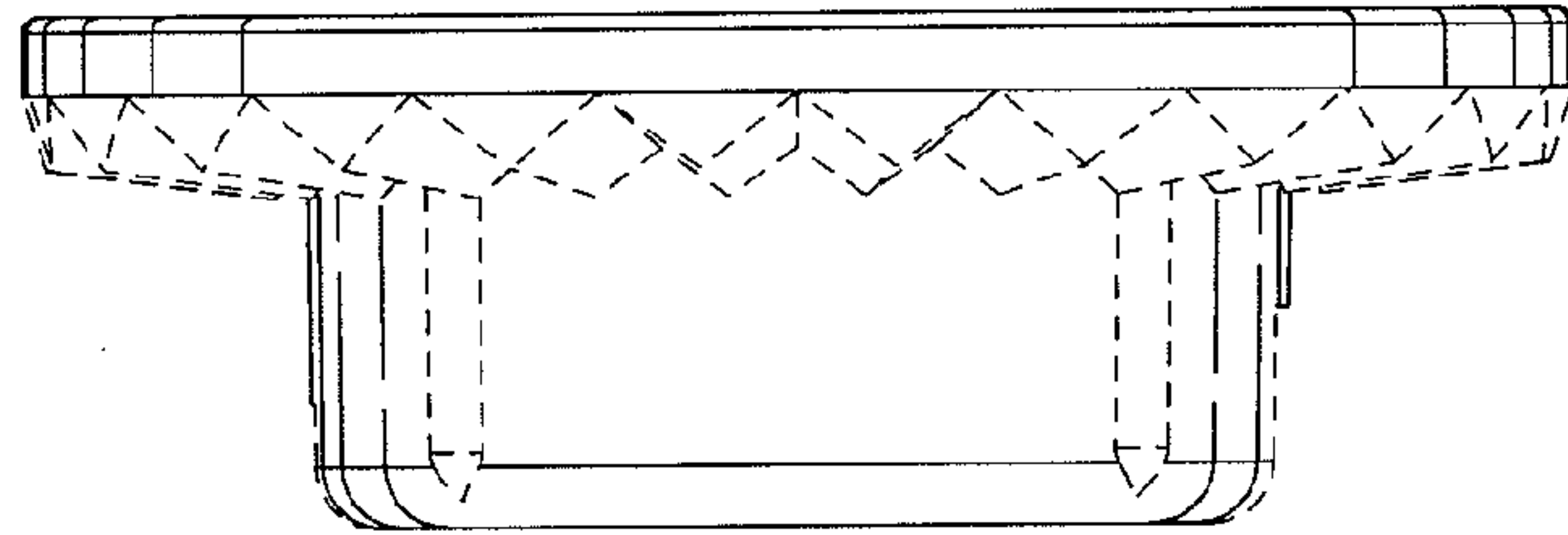


FIG. 5

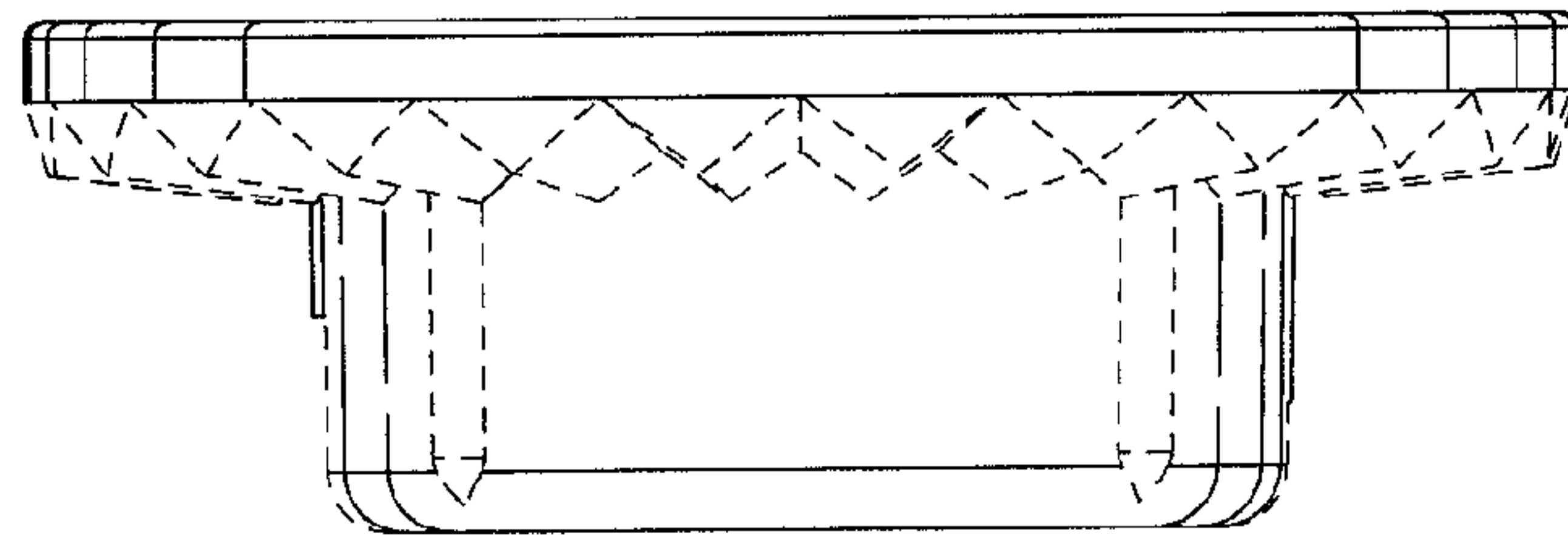


FIG. 6

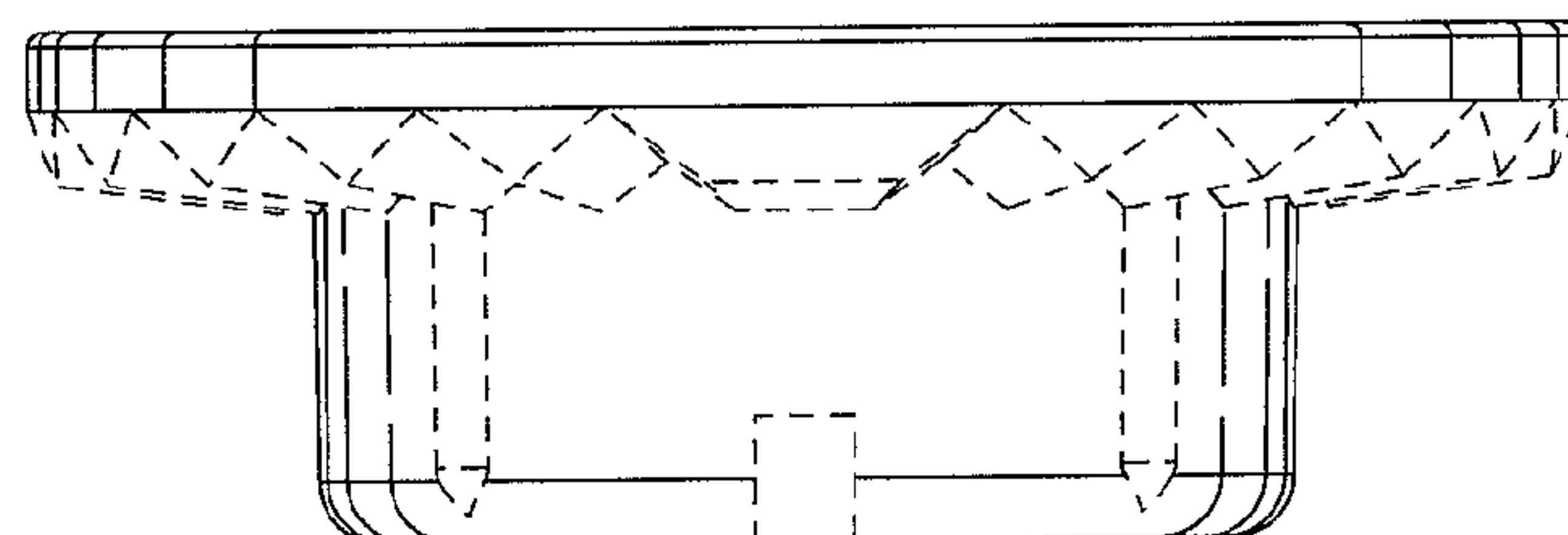


FIG. 7

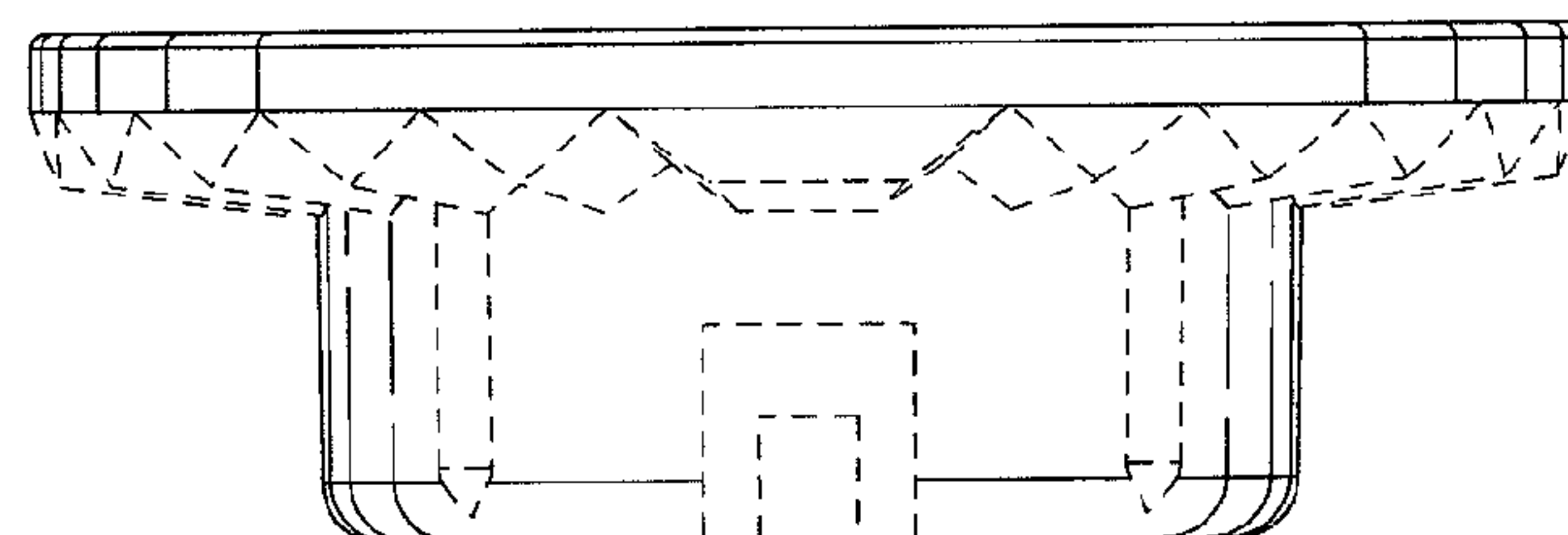


FIG. 8