

US00D673196S

(12) **United States Design Patent**
von Hafen

(10) **Patent No.:** **US D673,196 S**
(45) **Date of Patent:** **** Dec. 25, 2012**

(54) **ROTARY DRIVE DEVICE**
(75) Inventor: **Karoline von Hafen**, Esslingen (DE)
(73) Assignee: **Festo AG & Co. KG**, Esslingen (DE)
(**) Term: **14 Years**
(21) Appl. No.: **29/415,680**
(22) Filed: **Mar. 13, 2012**

D514,607 S * 2/2006 Wittenstein D15/148
D529,939 S * 10/2006 Wilhelm et al. D15/148
D542,682 S * 5/2007 Waki D10/85
D618,263 S * 6/2010 Siegfried D15/148
D619,631 S * 7/2010 Otsuka D15/149
D629,821 S * 12/2010 Jump D15/143
D638,454 S * 5/2011 Torii et al. D15/143
D639,321 S * 6/2011 Torii et al. D15/143
2009/0205486 A1 8/2009 Ante et al.
2010/0060091 A1* 3/2010 Nordgren 310/80
2011/0265585 A1 11/2011 Thorwart et al.

(30) **Foreign Application Priority Data**

Sep. 22, 2011 (EM) 001921131-0001

(51) **LOC (9) Cl.** **15-99**
(52) **U.S. Cl.** **D15/148**
(58) **Field of Classification Search** D13/158,
D13/162, 184; D15/5, 7, 9, 143, 148, 199;
74/89.15, 411.5, 490.09; 92/15-17, 51-52,
92/68, 88, 128, 137, 143, 168, 169, 177;
297/14, 325, 327; 310/10, 12, 15, 20, 80,
310/300

See application file for complete search history.

(56) **References Cited**

U.S. PATENT DOCUMENTS

D239,319 S * 3/1976 Matousek et al. D15/148
5,732,613 A 3/1998 Stoll
D445,704 S * 7/2001 Suzuki D10/85
D479,541 S * 9/2003 Lannoch D15/148
D487,101 S * 2/2004 Taoka D15/149

FOREIGN PATENT DOCUMENTS

GB 2239053 6/1991

* cited by examiner

Primary Examiner — Patricia Palasik

(74) *Attorney, Agent, or Firm* — Hoffmann & Baron, LLP

(57) **CLAIM**

The ornamental design for a rotary drive device, as shown and described.

DESCRIPTION

FIG. 1 is a top perspective view of a rotary drive device showing my new design;

FIG. 2 is a front view thereof;

FIG. 3 is a rear view thereof;

FIG. 4 is a right view thereof;

FIG. 5 is a left view thereof;

FIG. 6 is a top plan view thereof; and,

FIG. 7 is a bottom plan view thereof.

1 Claim, 7 Drawing Sheets

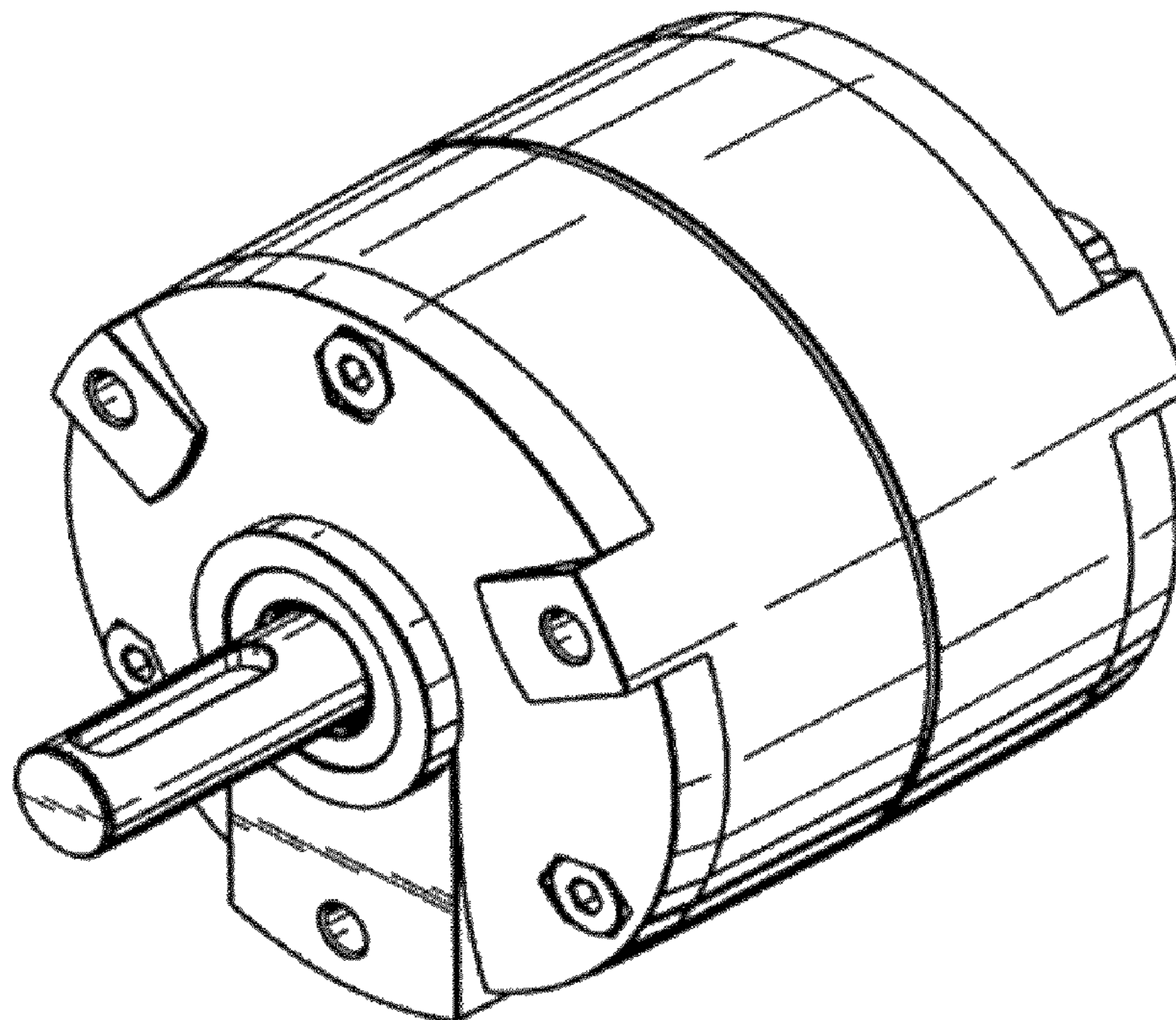


FIG. 1

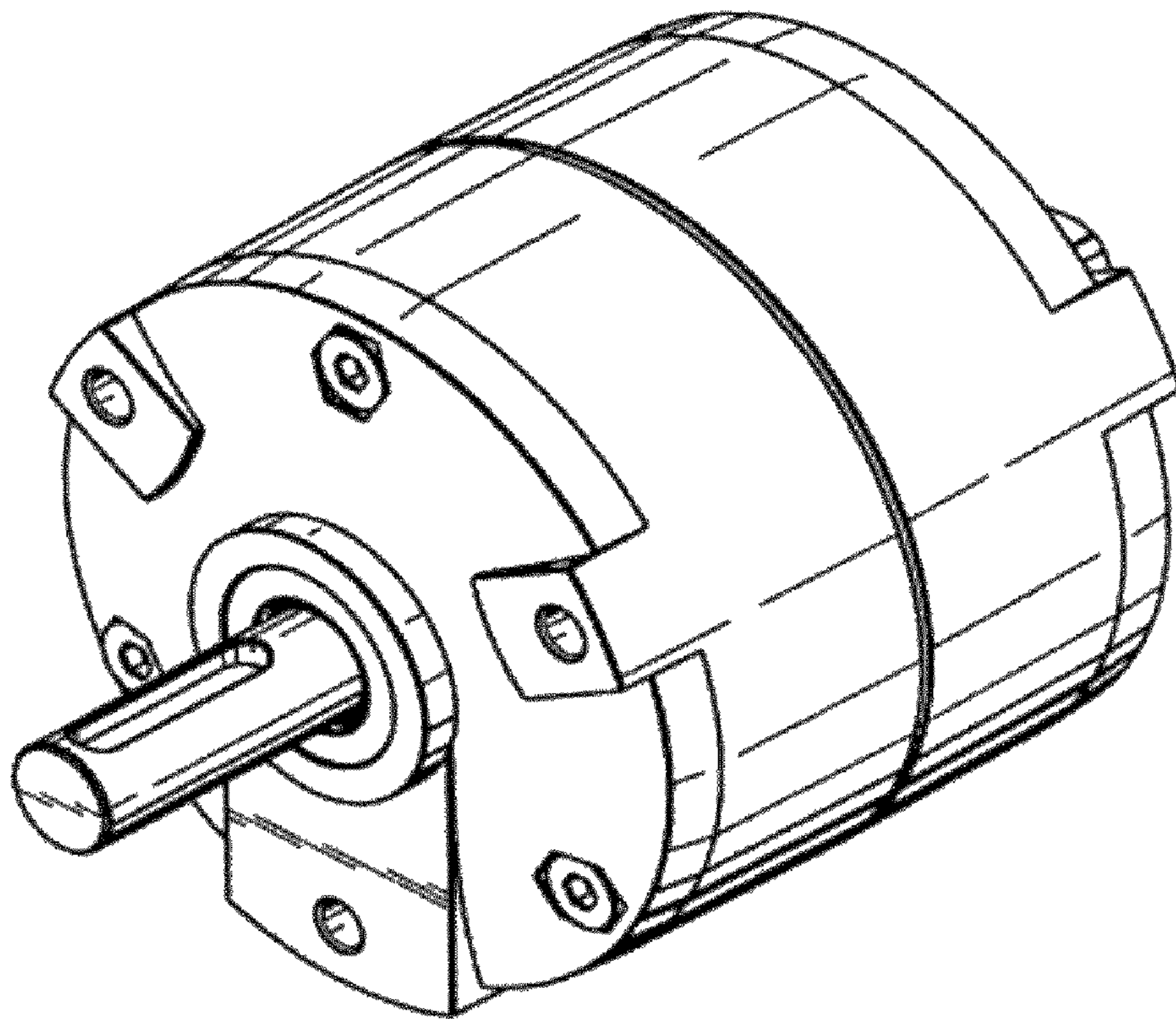


FIG. 2

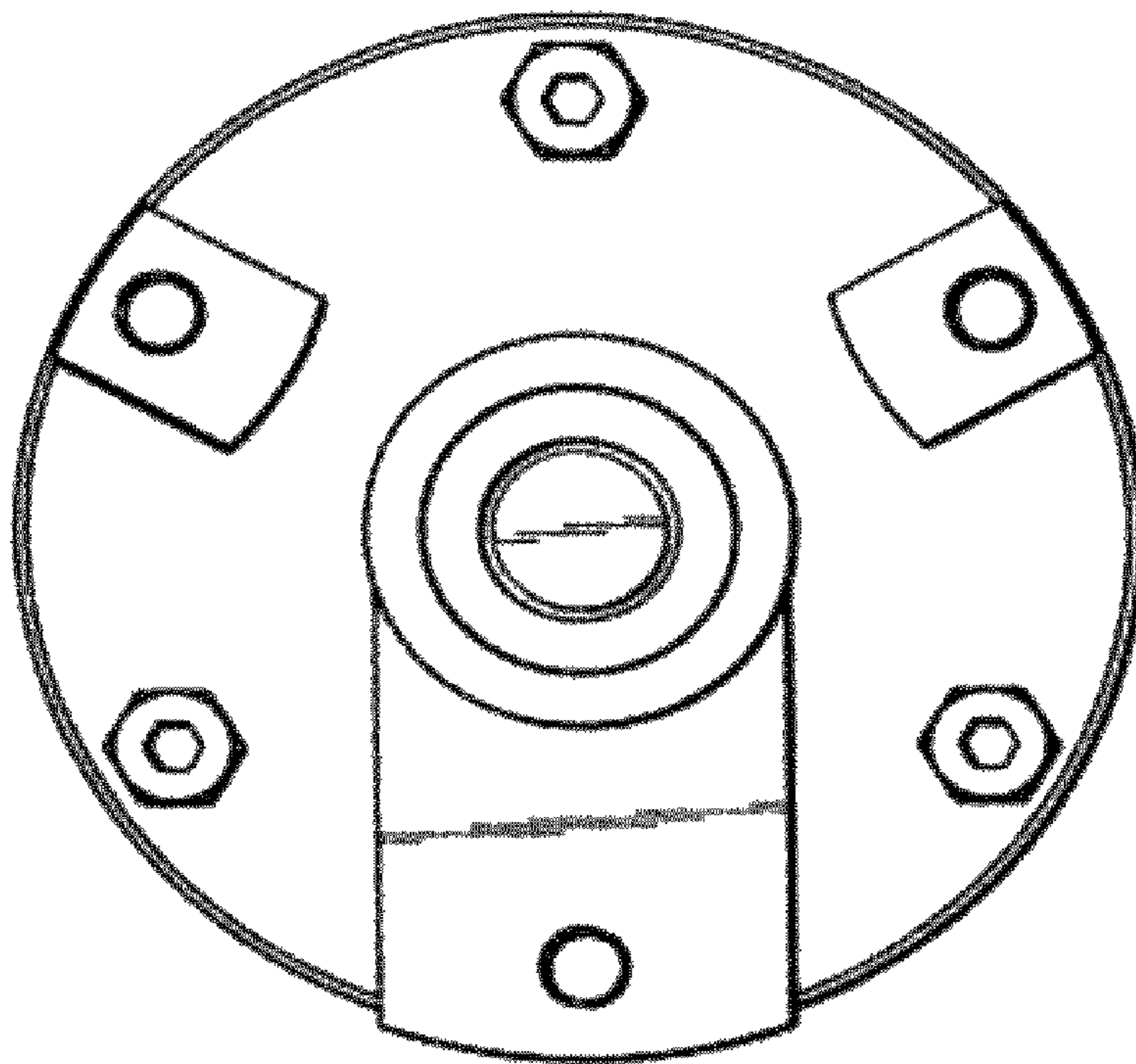


FIG. 3

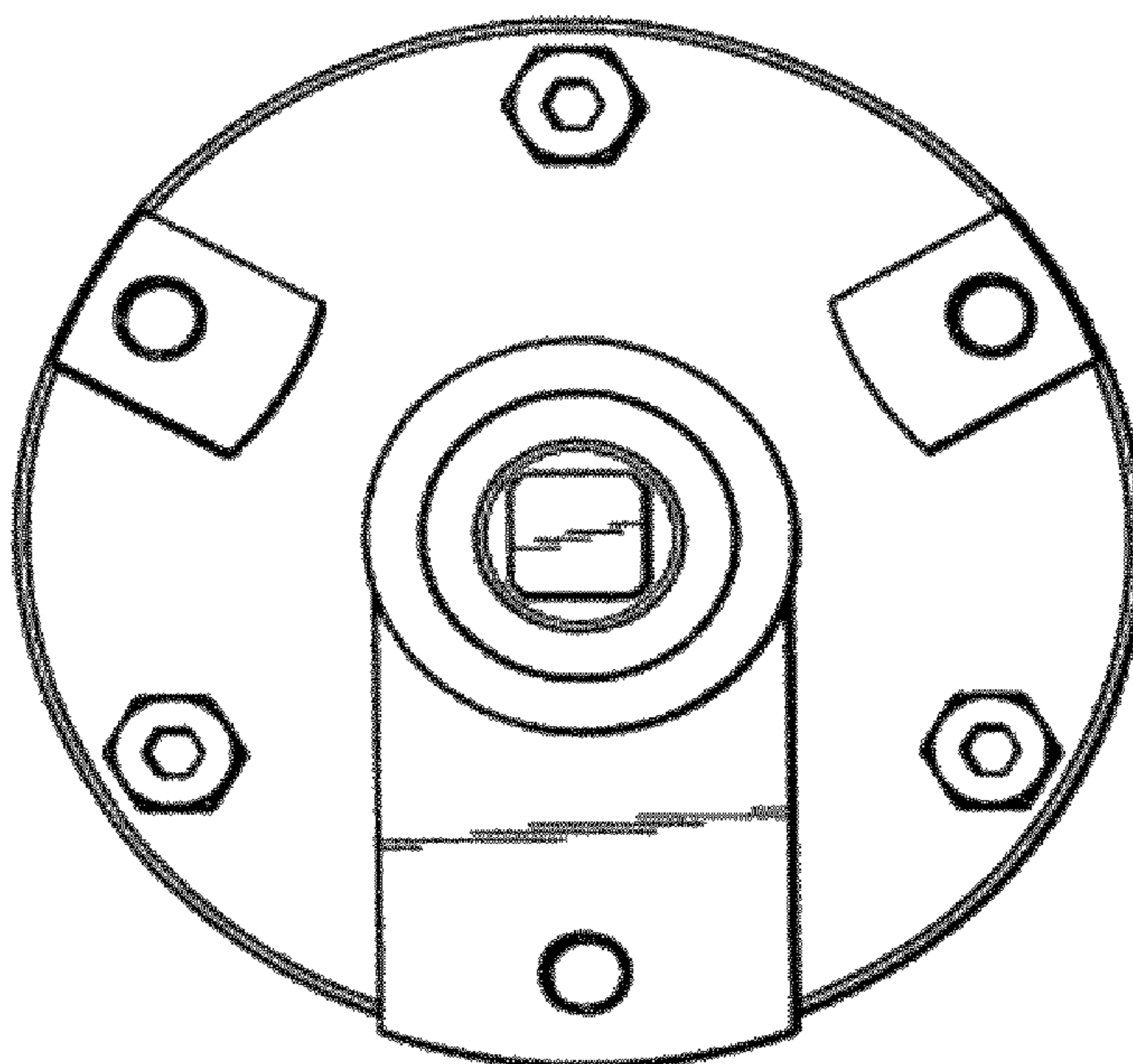


FIG. 4

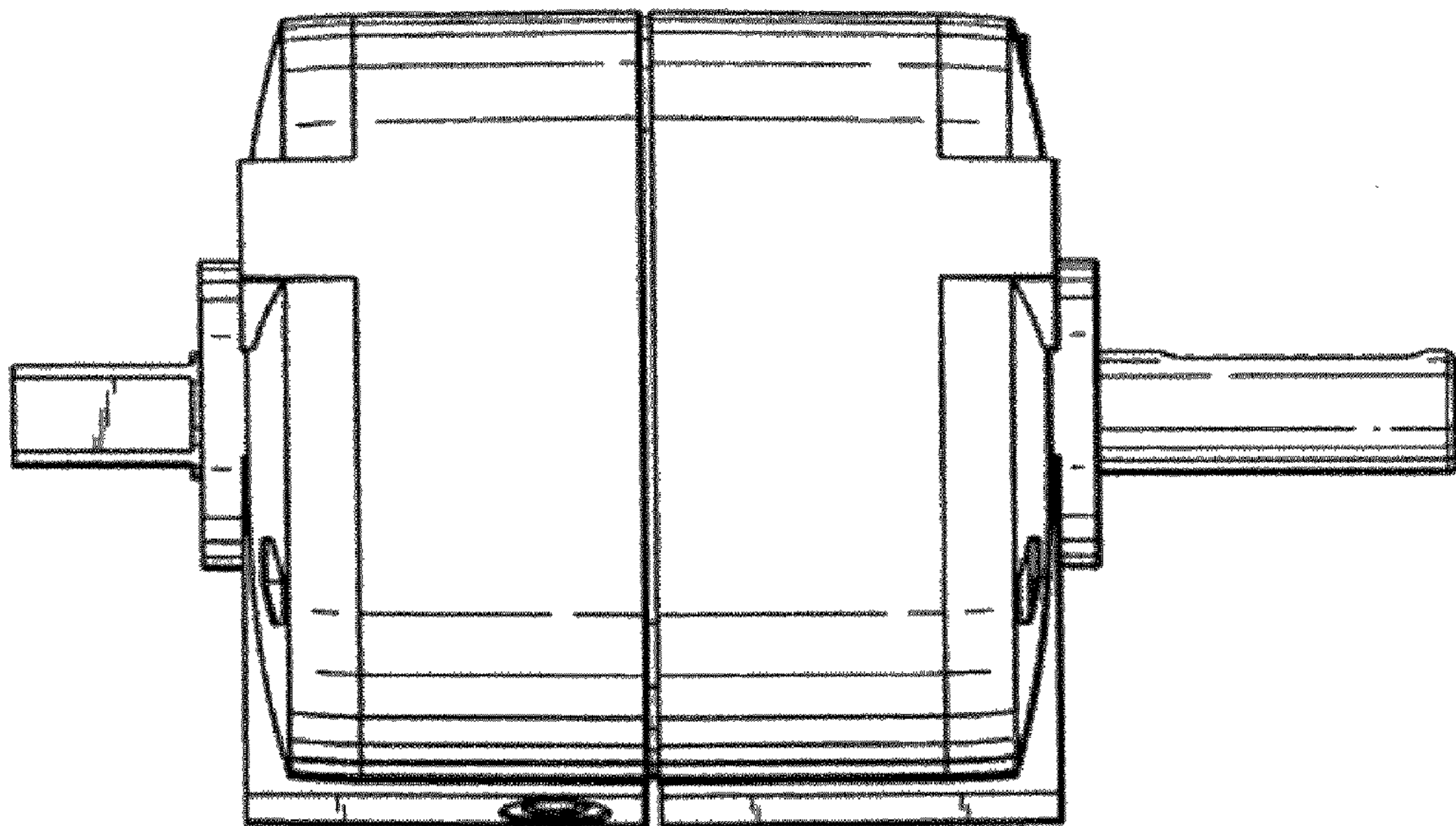


FIG. 5

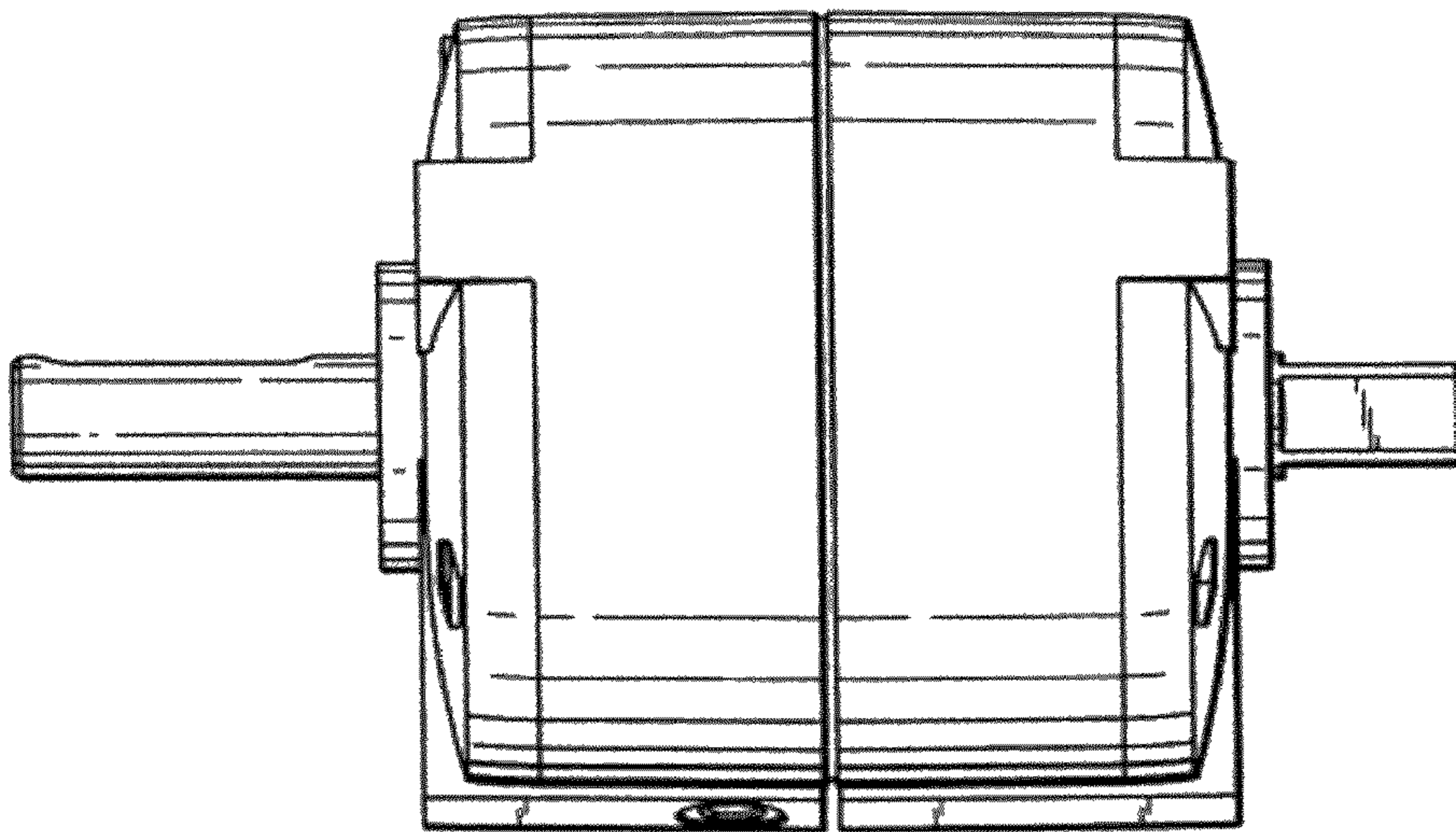


FIG. 6

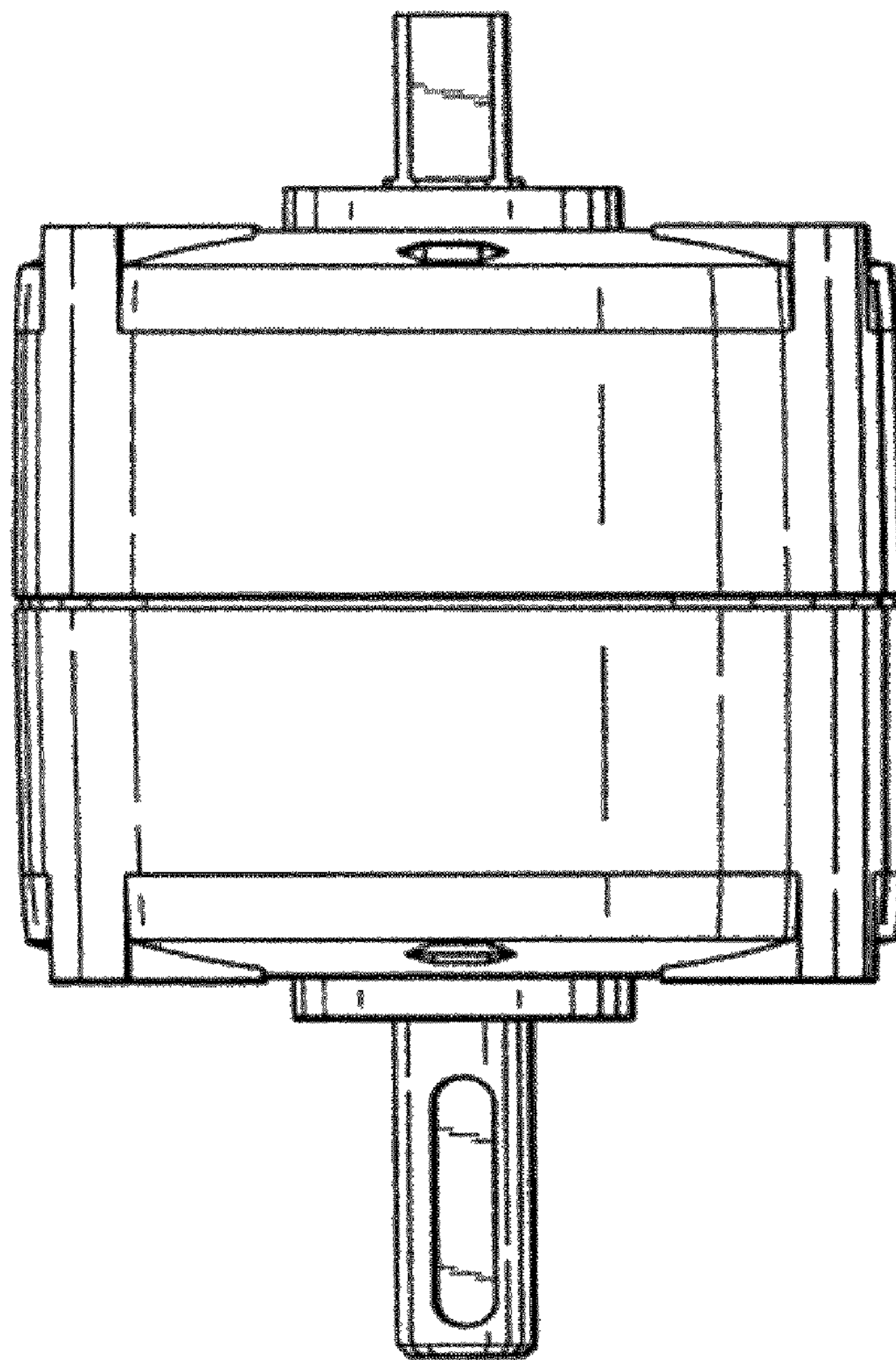


FIG. 7

