



US00D673195S

(12) **United States Design Patent**
Choi

(10) **Patent No.:** **US D673,195 S**

(45) **Date of Patent:** **** Dec. 25, 2012**

(54) **PRESSURE WELDING CONNECTOR**

(75) Inventor: **Dae Il Choi**, Gunpo-si (KR)

(73) Assignee: **CNPLUS Co., Ltd.** (KR)

(**) Term: **14 Years**

(21) Appl. No.: **29/426,312**

(22) Filed: **Jul. 3, 2012**

(51) **LOC (9) Cl.** **15-09**

(52) **U.S. Cl.** **D15/144.1**

(58) **Field of Classification Search** D13/133,
D13/147; D15/144, 144.1, 144.2; 439/397,
439/404

See application file for complete search history.

(56) **References Cited**

U.S. PATENT DOCUMENTS

D437,333	S	*	2/2001	Kim	D15/144.1
D451,937	S	*	12/2001	Selzer et al.	D15/144.1
6,615,486	B1	*	9/2003	Takada	29/857

7,261,585	B2	*	8/2007	Yamanashi et al.	439/404
2005/0029325	A1	*	2/2005	Sakamoto et al.	228/3.1
2005/0106927	A1	*	5/2005	Goto et al.	439/404
2006/0154512	A1	*	7/2006	Shimizu et al.	439/387

* cited by examiner

Primary Examiner — Patricia Palasik

(74) *Attorney, Agent, or Firm* — Workman Nydegger

(57) **CLAIM**

The ornamental design for a pressure welding connector, as shown and described.

DESCRIPTION

FIG. 1 is a perspective view of a pressure welding connector showing my new design;
 FIG. 2 is a front view thereof;
 FIG. 3 is a rear view thereof;
 FIG. 4 is a left side view thereof;
 FIG. 5 is a right side view thereof;
 FIG. 6 is a top view thereof; and,
 FIG. 7 is a bottom view thereof.

1 Claim, 4 Drawing Sheets

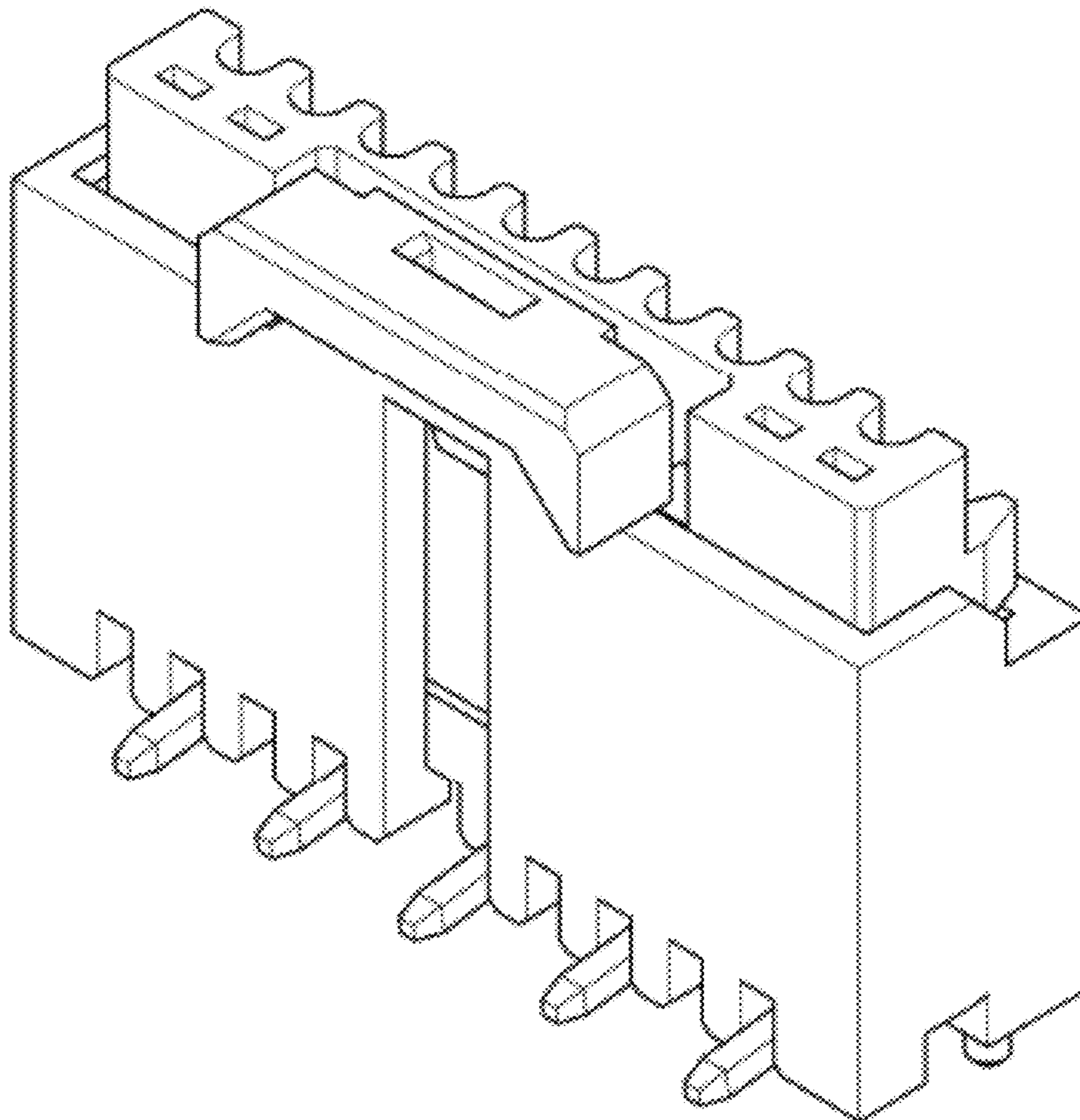


Figure 1

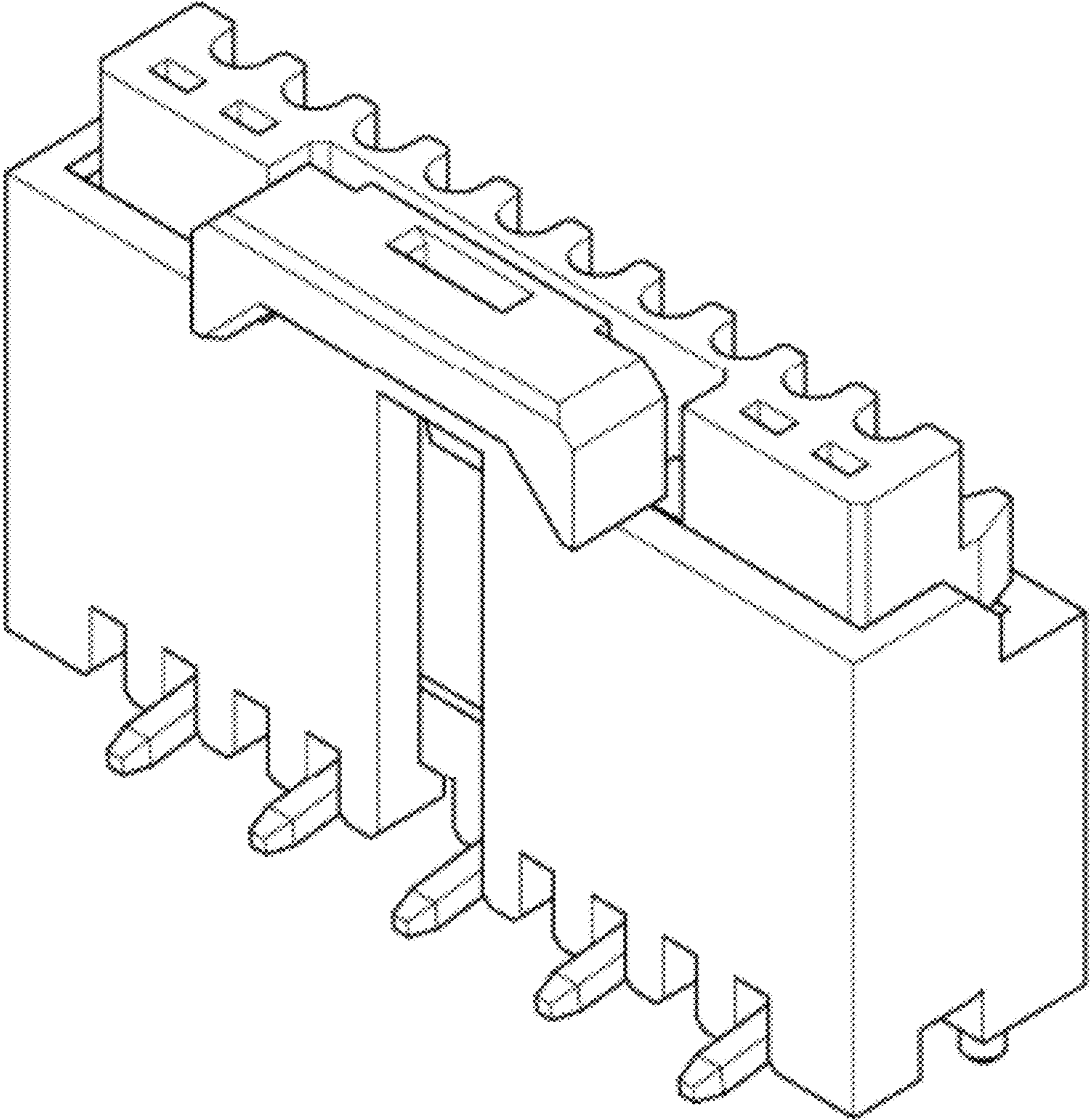


Figure 2

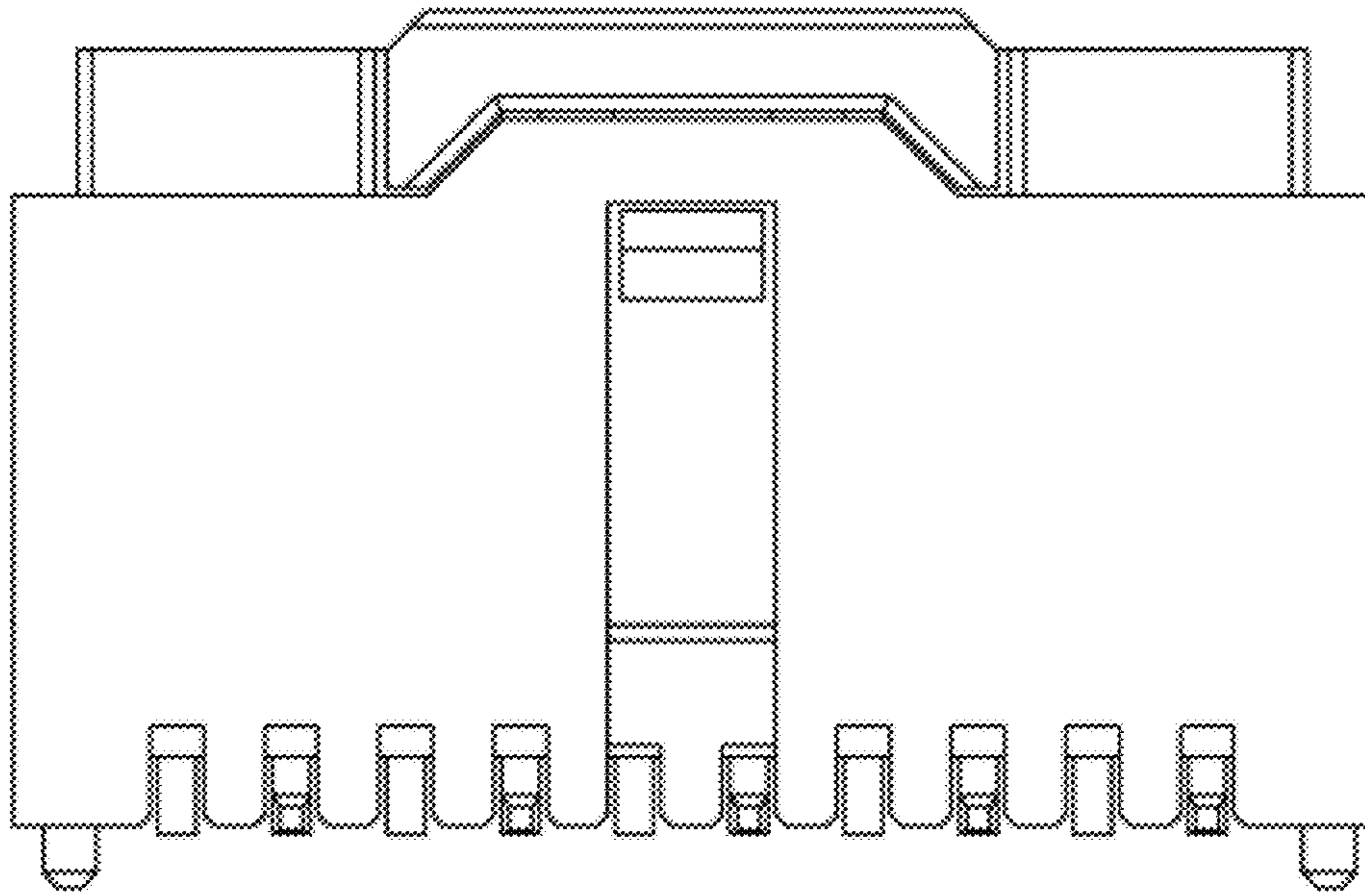


Figure 3

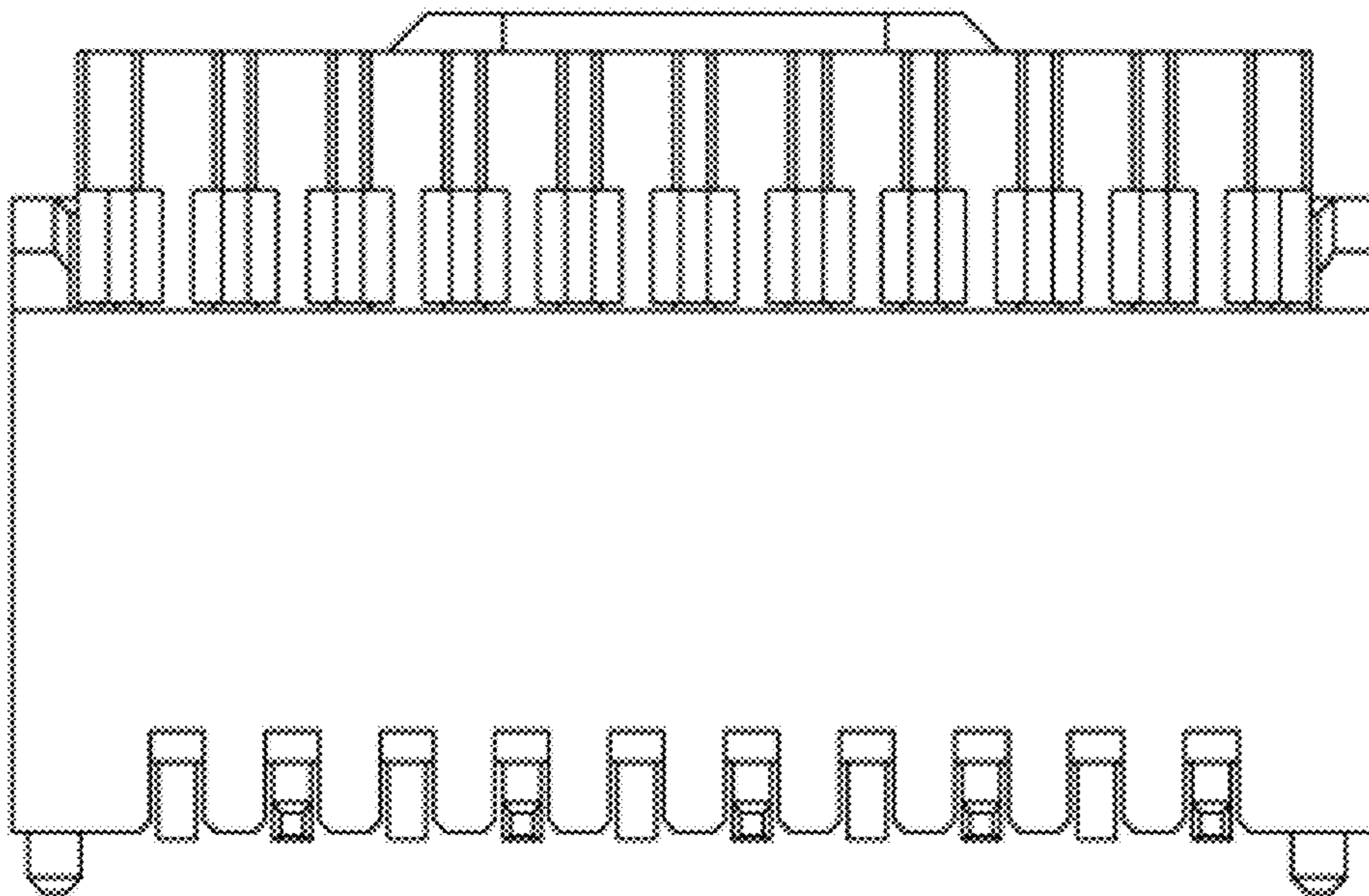


Figure 4

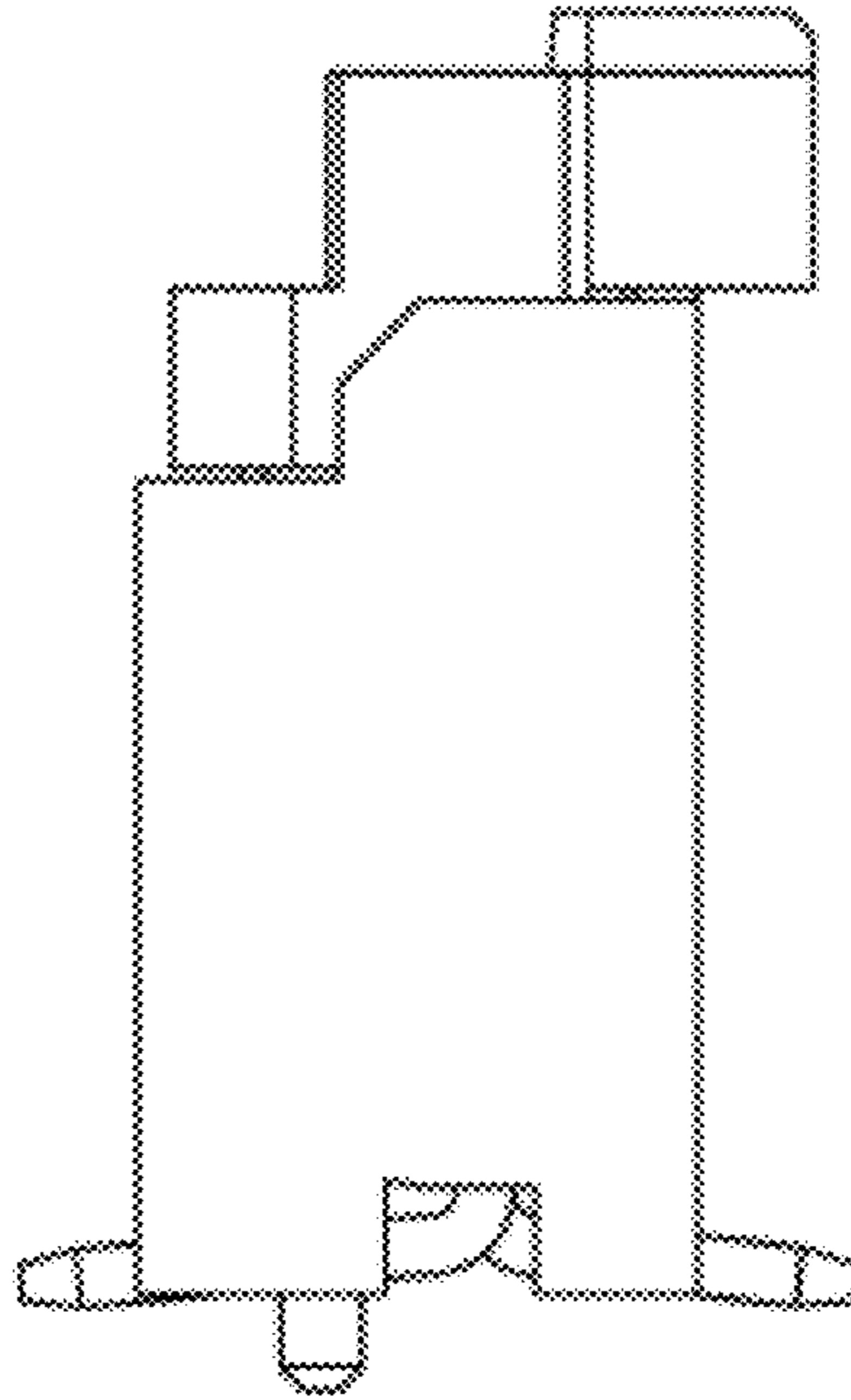


Figure 5

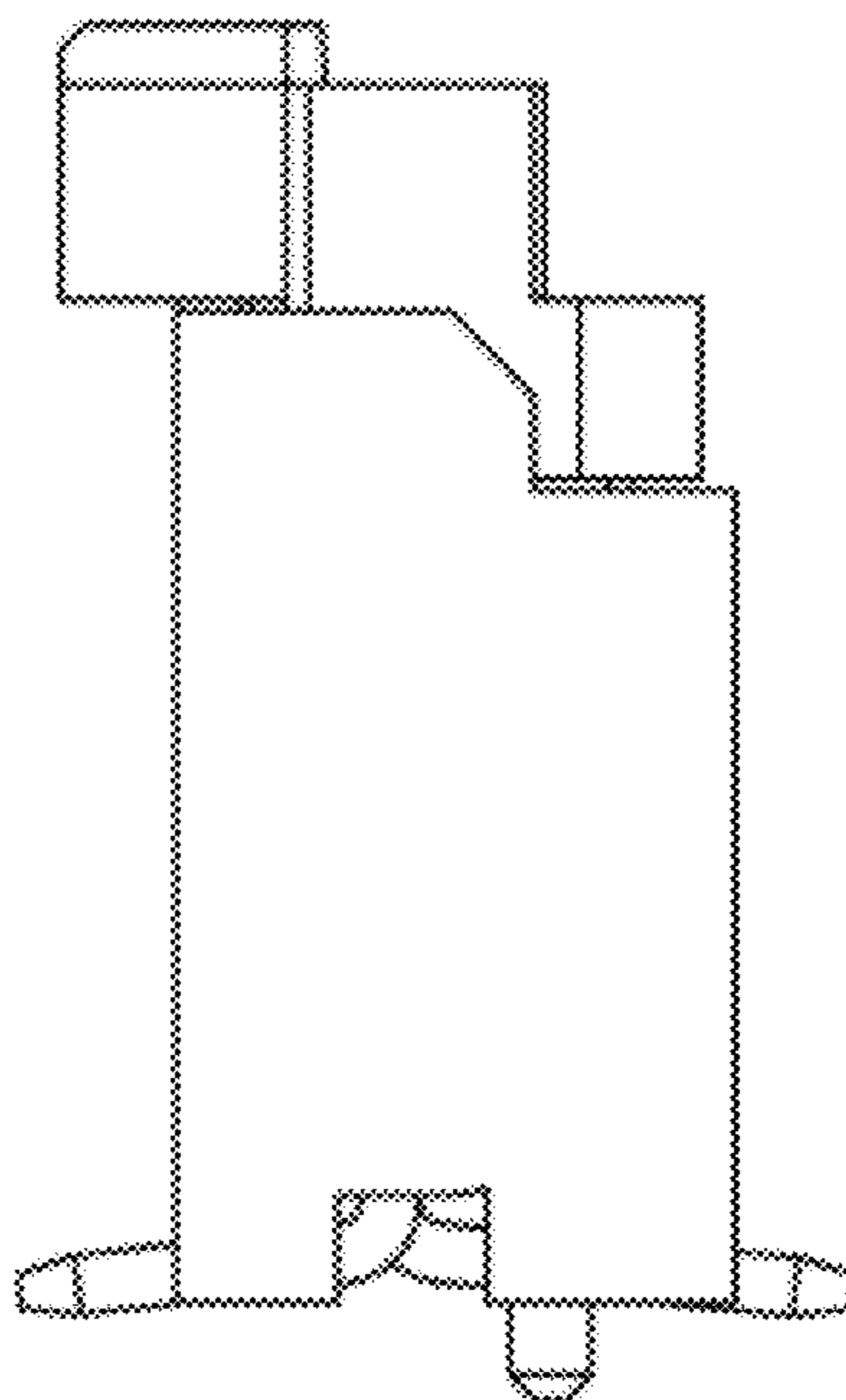


Figure 6

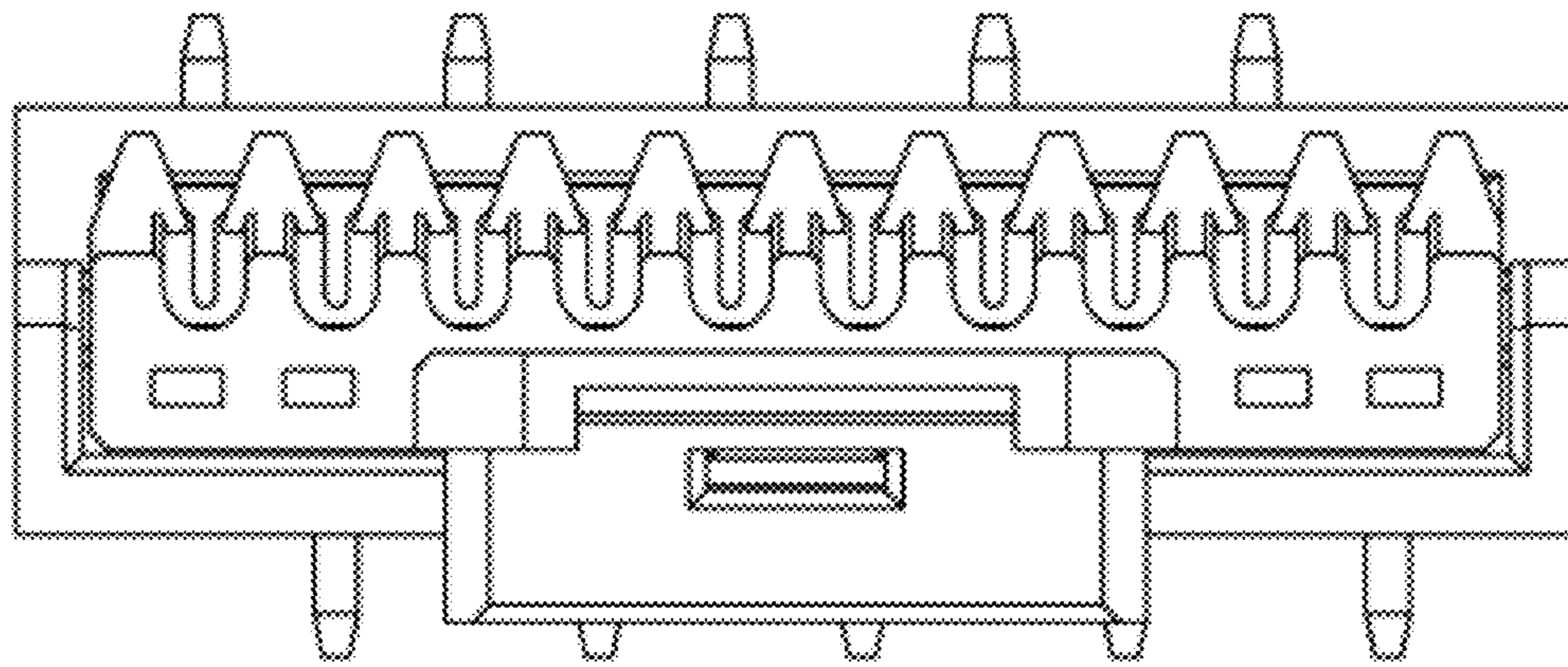


Figure 7

