

US00D673193S

(12) **United States Design Patent**
Dickrede

(10) **Patent No.:** **US D673,193 S**

(45) **Date of Patent:** **** Dec. 25, 2012**

(54) **ADAPTOR FOR HOLDING A THREADING DEVICE**

(76) Inventor: **Ronald W. Dickrede**, Delphos, OH (US)

(**) Term: **14 Years**

(21) Appl. No.: **29/370,312**

(22) Filed: **Jun. 29, 2010**

(51) **LOC (9) Cl.** **15-09**

(52) **U.S. Cl.** **D15/139; D8/70**

(58) **Field of Classification Search** D15/139,
D15/140; D8/68, 70, 71, 85, 86; 403/322.2;
279/74, 75, 30, 62, 143, 144, 902, 145, 900;
408/239 R, 239 A, 143, 144, 153, 223; 81/177.85,
81/436, 441, 901; 299/87.1, 106, 107, 109
See application file for complete search history.

(56) **References Cited**

U.S. PATENT DOCUMENTS

2,684,491	A	7/1954	Roddick	
4,692,073	A *	9/1987	Martindell	408/239 A
5,354,075	A *	10/1994	Marik et al.	279/72
5,398,946	A	3/1995	Quiring	
5,586,847	A	12/1996	Mattern, Jr. et al.	
5,876,158	A	3/1999	Beiter	
D415,180	S *	10/1999	Rosanwo	D15/140
5,996,452	A *	12/1999	Chiang	81/429
D429,262	S *	8/2000	Streich	D15/140
6,302,408	B1 *	10/2001	Zierpka	279/75
6,543,959	B1	4/2003	Jore	
D478,263	S *	8/2003	Welsh	D8/70
D479,253	S *	9/2003	Chen	D15/140
D488,170	S *	4/2004	Sollami	D15/21
6,715,384	B1 *	4/2004	Kozak	81/124.2
6,755,423	B2 *	6/2004	Chiu	279/30
D497,300	S *	10/2004	Chen	D8/85
D530,729	S *	10/2006	Cook	D15/140
D534,558	S *	1/2007	Cook	D15/140
D544,007	S *	6/2007	Marasco	D15/140
D560,109	S *	1/2008	Huang	D8/70

7,334,970	B2	2/2008	Kozak	
D563,750	S *	3/2008	Peters	D8/70
7,387,054	B2 *	6/2008	Rajotte	81/429
D575,609	S *	8/2008	Peters	D8/70
D589,319	S *	3/2009	Peters	D8/70
D597,571	S *	8/2009	Darr	D15/139
D609,073	S *	2/2010	Lin	D8/70
D612,875	S *	3/2010	Beynon	D15/139
D612,876	S *	3/2010	Bell	D15/139
7,726,664	B2 *	6/2010	Peters	279/143
7,896,357	B2 *	3/2011	Peters	279/143
D643,864	S *	8/2011	Jackson	D15/140
8,132,990	B2 *	3/2012	Bauman	408/239 R

* cited by examiner

Primary Examiner — Mark Goodwin

(74) *Attorney, Agent, or Firm* — Richard L. Miller

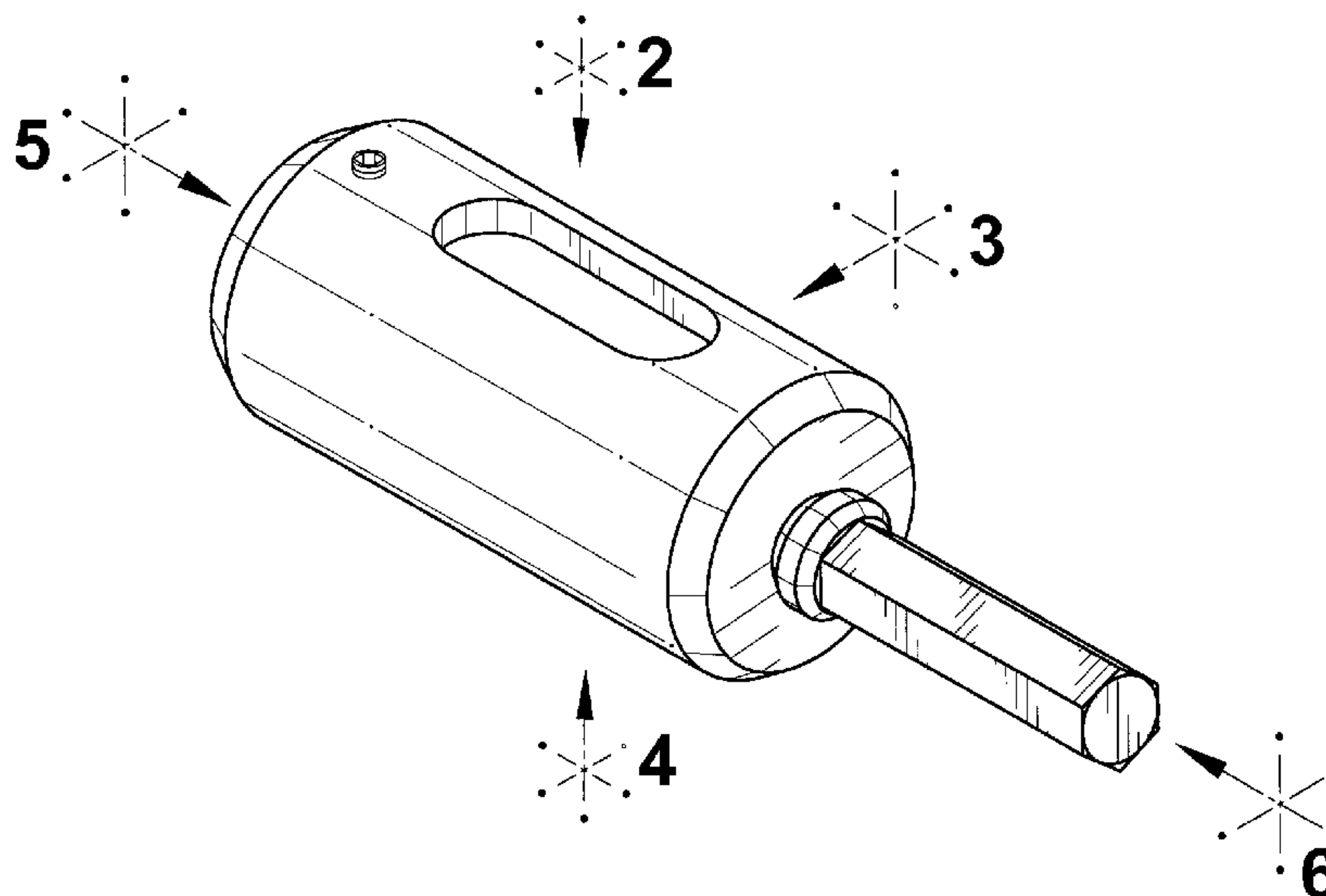
(57) **CLAIM**

The ornamental design for a adaptor for holding a threading device, as shown and described.

DESCRIPTION

FIG. 1 is a perspective view of and adaptor for holding a threading device showing my new design;
 FIG. 2 is a side elevational view thereof taken in the direction of arrow 2 in FIG. 1;
 FIG. 3 is a side elevational view thereof taken in the direction of arrow 3 in FIG. 1;
 FIG. 4 is a side elevational view thereof taken in the direction of arrow 4 in FIG. 1;
 FIG. 5 is a front elevational view thereof taken in the direction of arrow 5 in FIG. 1; and,
 FIG. 6 is a rear elevational view thereof taken in the direction of arrow 6 in FIG. 1.
 It is to be understood that any portion of any figure shown in broken lines are for environmental purposes only and form no part of the claimed design.

1 Claim, 2 Drawing Sheets



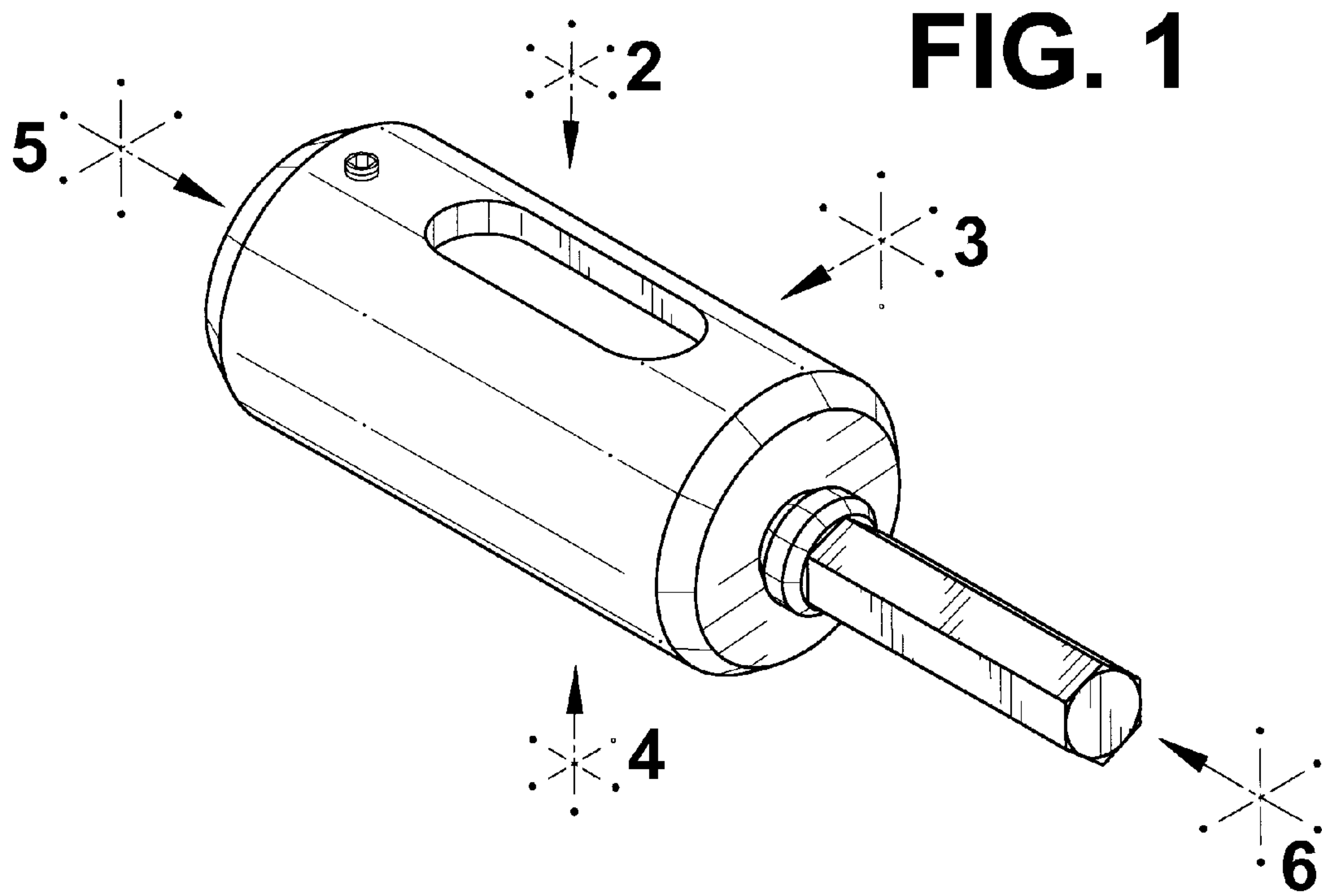


FIG. 2

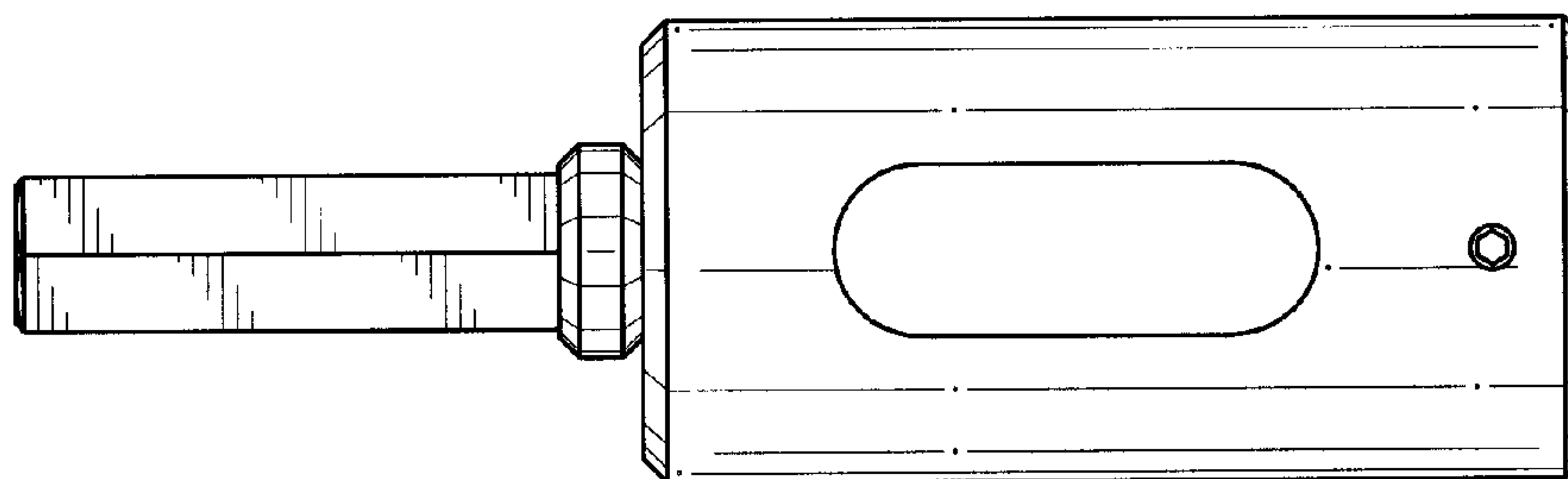


FIG. 3

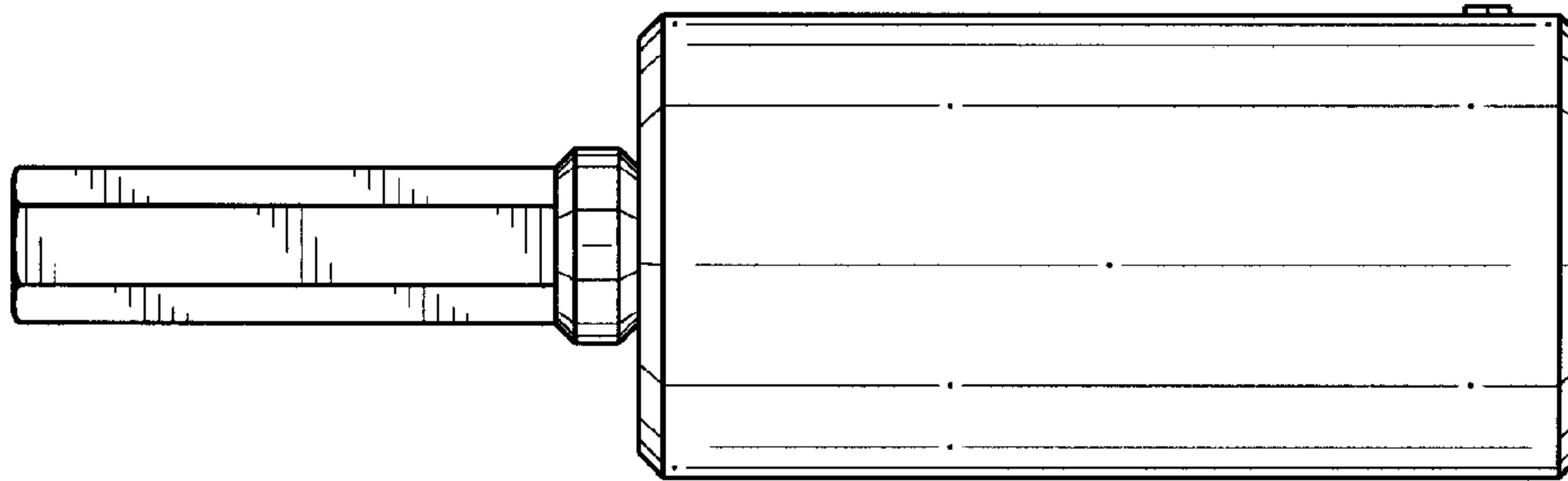


FIG. 4

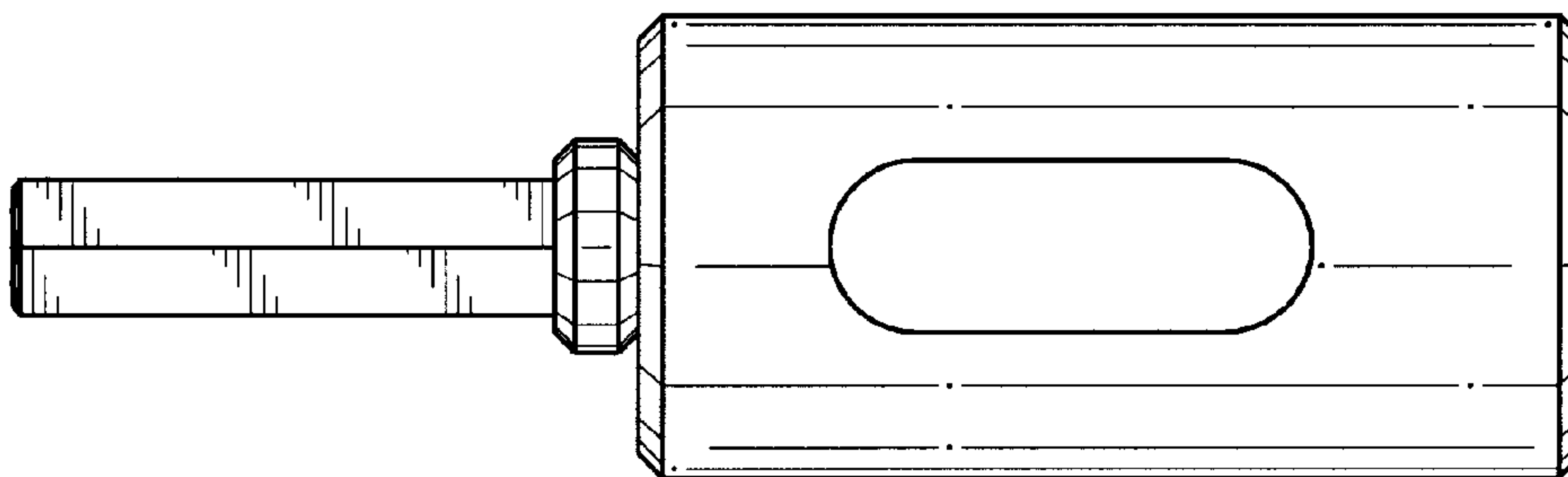


FIG. 5

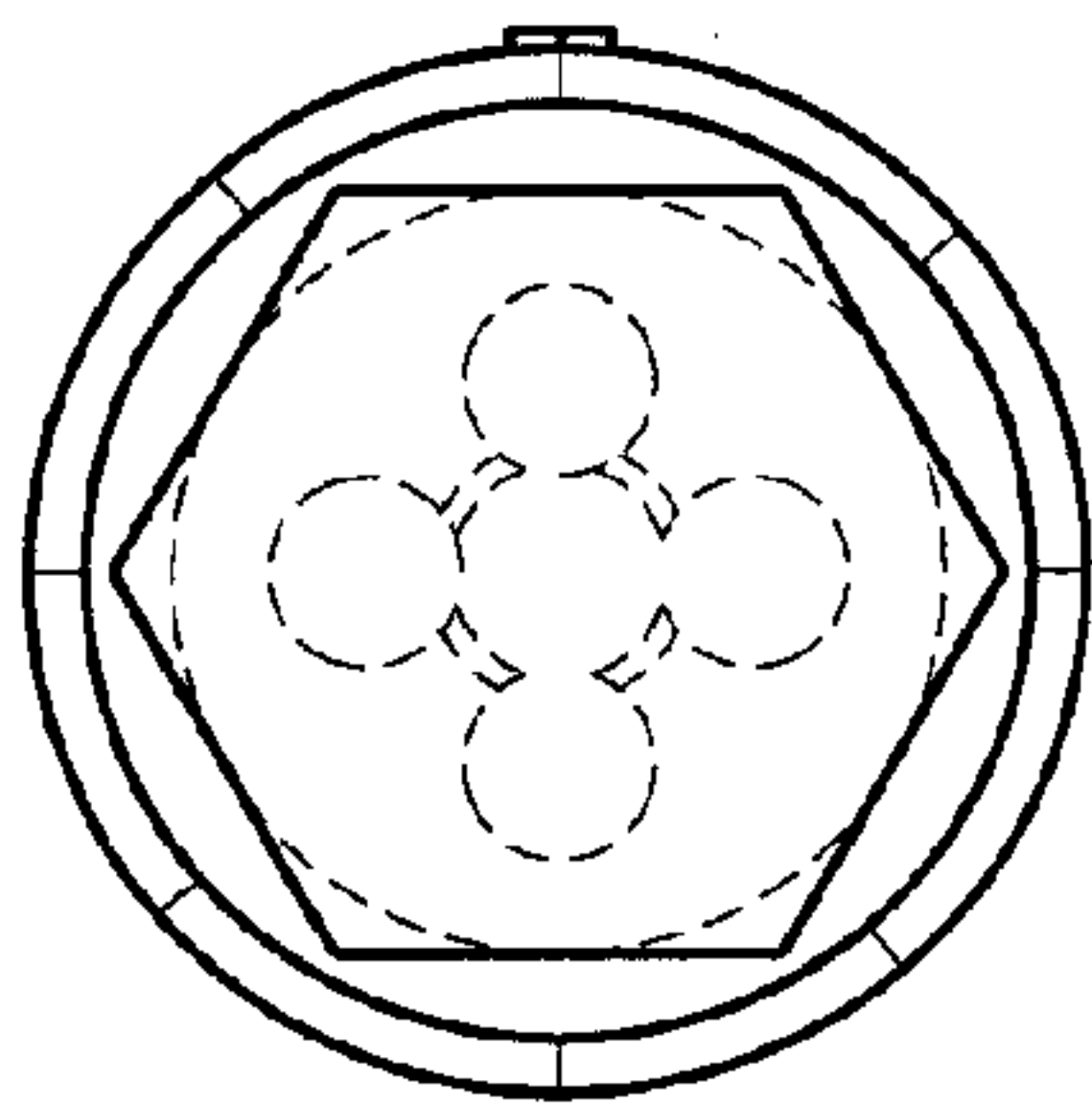


FIG. 6

