



US00D673192S

(12) **United States Design Patent**  
**Gramlich**

(10) **Patent No.:** **US D673,192 S**

(45) **Date of Patent:** **\*\* Dec. 25, 2012**

(54) **MOULDER**

(75) Inventor: **Rainer Gramlich**, Oberwittstadt (DE)

(73) Assignee: **Michael Weinig AG**,  
Tauberbischofsheim (DE)

(\*\*) Term: **14 Years**

(21) Appl. No.: **29/404,617**

(22) Filed: **Oct. 23, 2011**

(30) **Foreign Application Priority Data**

May 27, 2011 (DE) ..... 40 2011 002 844

(51) **LOC (9) Cl.** ..... **15-09**

(52) **U.S. Cl.** ..... **D15/127**

(58) **Field of Classification Search** ..... D15/122,  
D15/127, 131, 133, 134; 29/26 A, 26 R,  
29/30, 33 A-33 T, 34 R, 39, 50, 55, 563-556,  
29/564.1-564.8, 897.35; 144/9 A, 9 R, 252 R;  
483/17-57

See application file for complete search history.

(56) **References Cited**

U.S. PATENT DOCUMENTS

D208,431 S *	8/1967	Paulson, Jr. ....	D15/135
D523,037 S *	6/2006	Kaser et al. ....	D15/133
D649,174 S *	11/2011	Schindler ....	D15/127
D649,567 S *	11/2011	Schindler ....	D15/127

\* cited by examiner

*Primary Examiner* — Patricia Palasik

(74) *Attorney, Agent, or Firm* — Gudrun E. Hockett

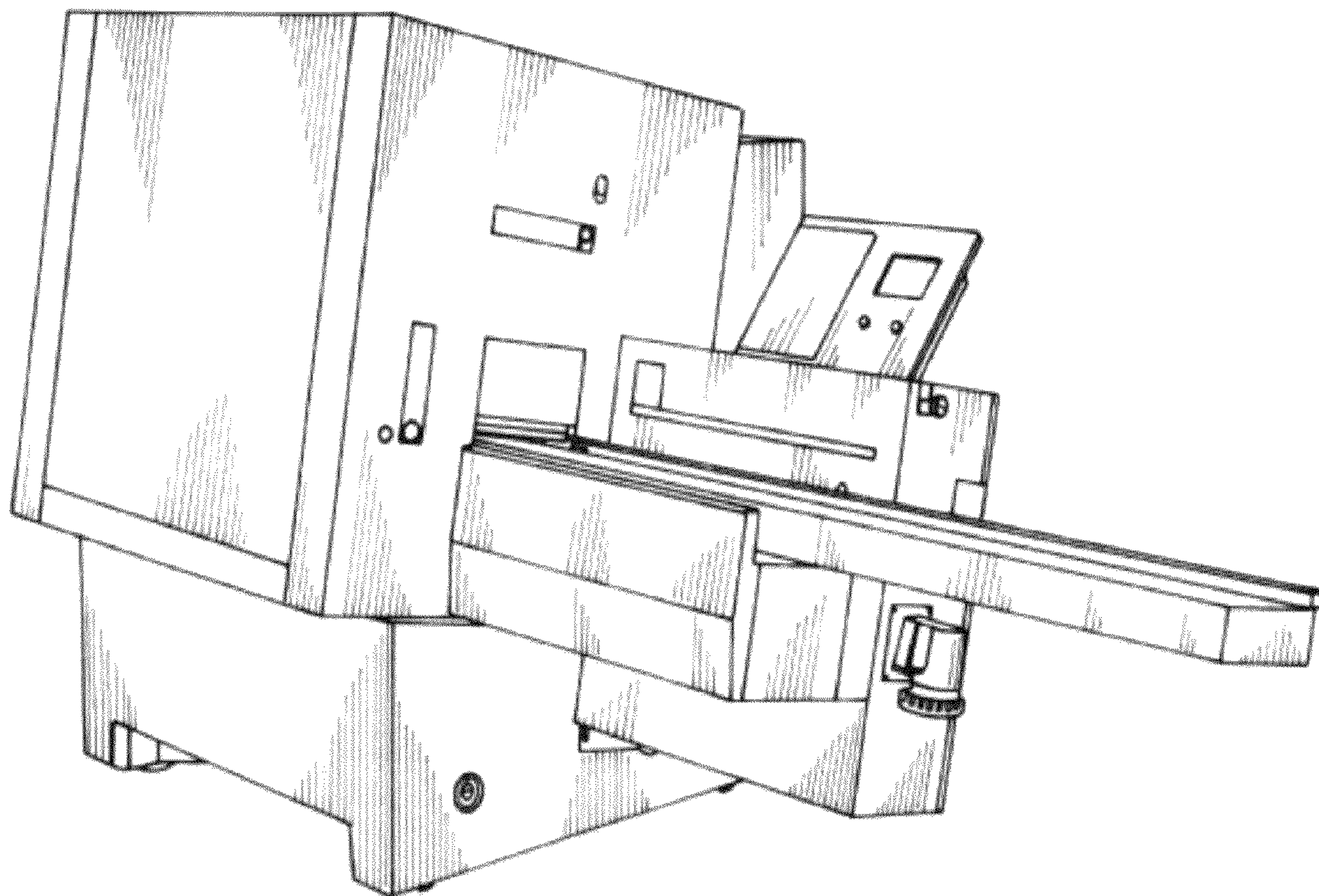
(57) **CLAIM**

The ornamental design for a moulder, as shown and described.

**DESCRIPTION**

FIG. 1 is a top plan view of my novel moulder.  
FIG. 2 is a right perspective front view of my novel moulder.  
FIG. 3 is a left perspective front view of my novel moulder.  
FIG. 4 is a rear view of my novel moulder.  
FIG. 5 is a left end view of my novel moulder.  
FIG. 6 is a right end view of my novel moulder; and,  
FIG. 7 is a front view of my novel moulder.  
The broken lines in the drawings depict unclaimed environmental subject matter.

**1 Claim, 7 Drawing Sheets**





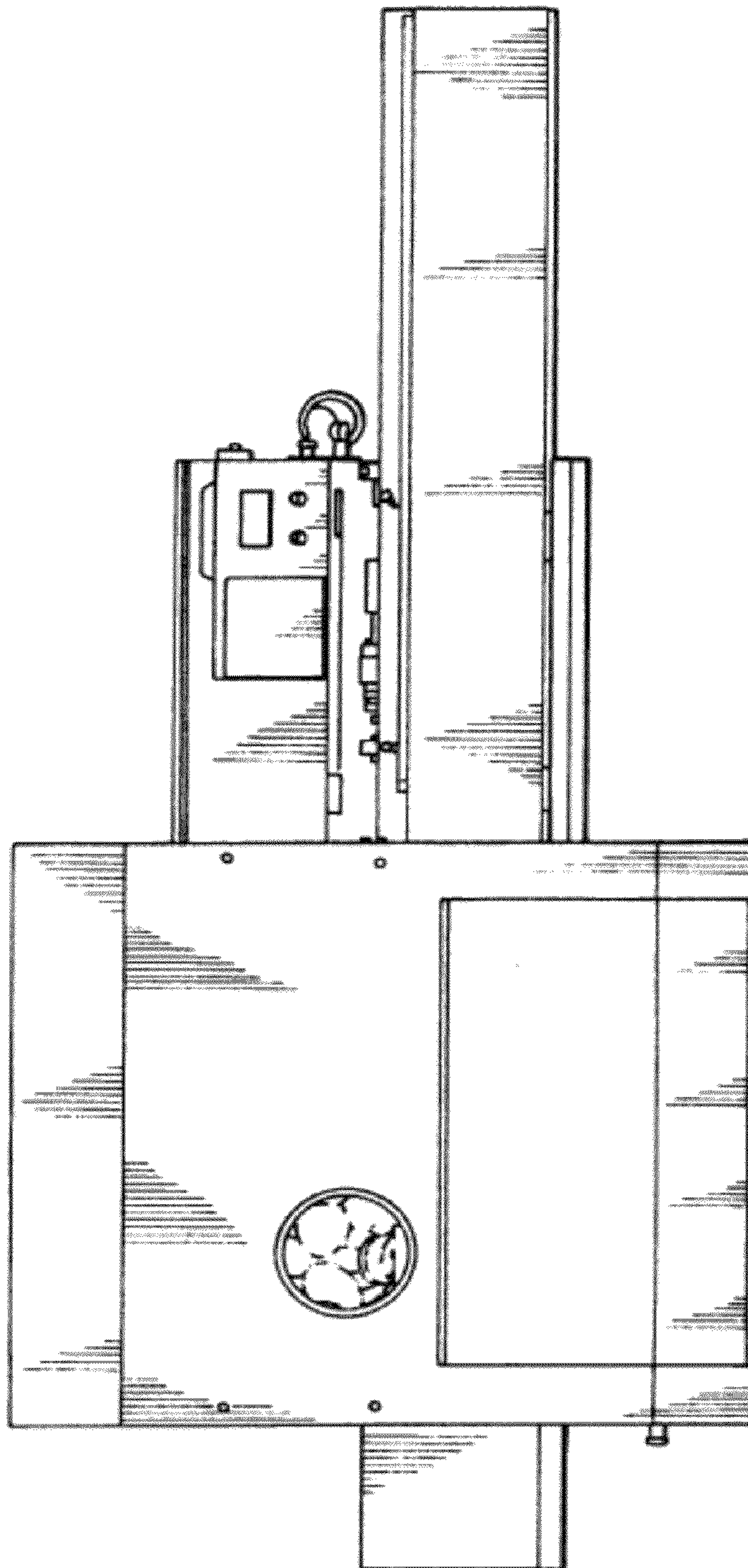


Fig. 1

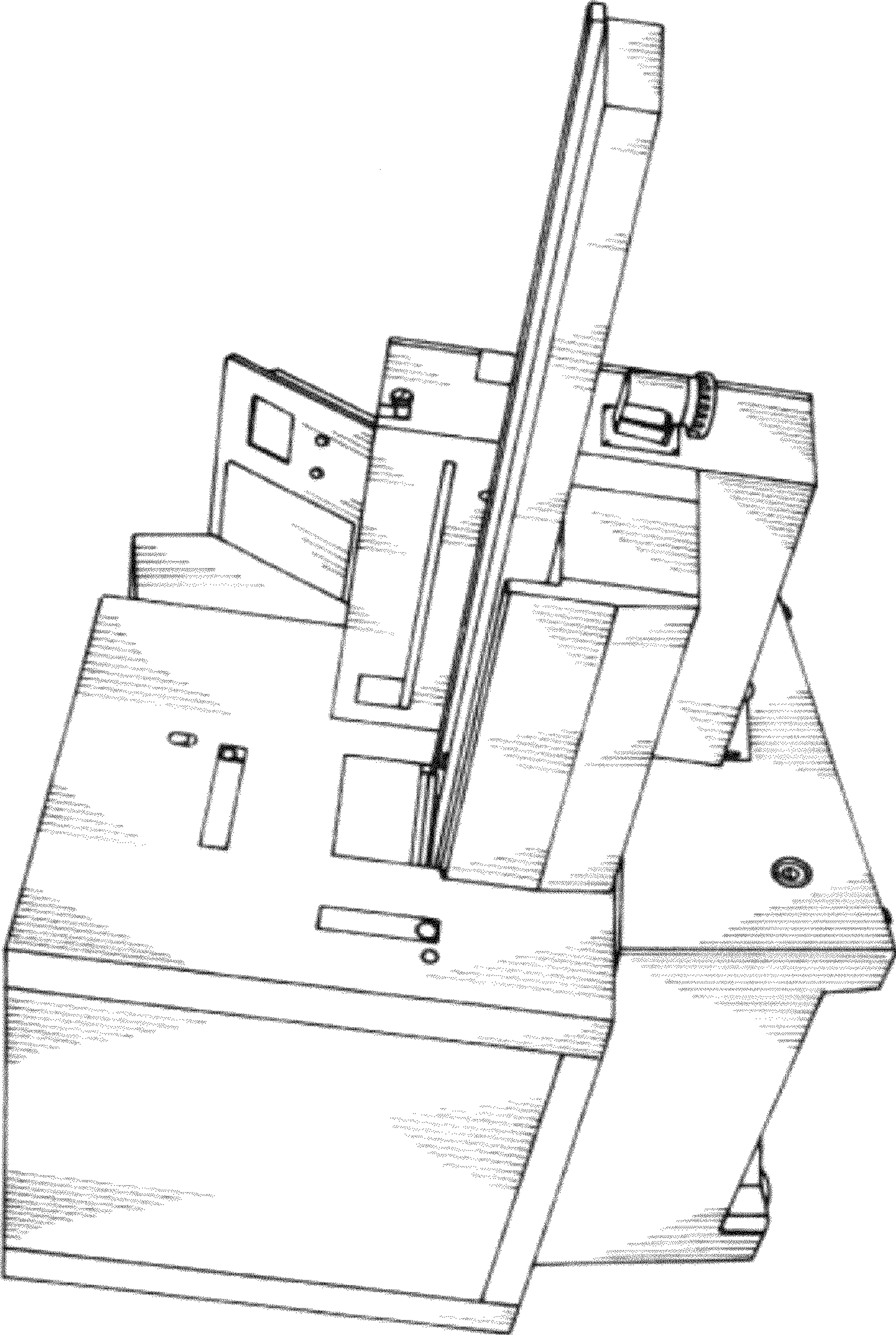


Fig. 2



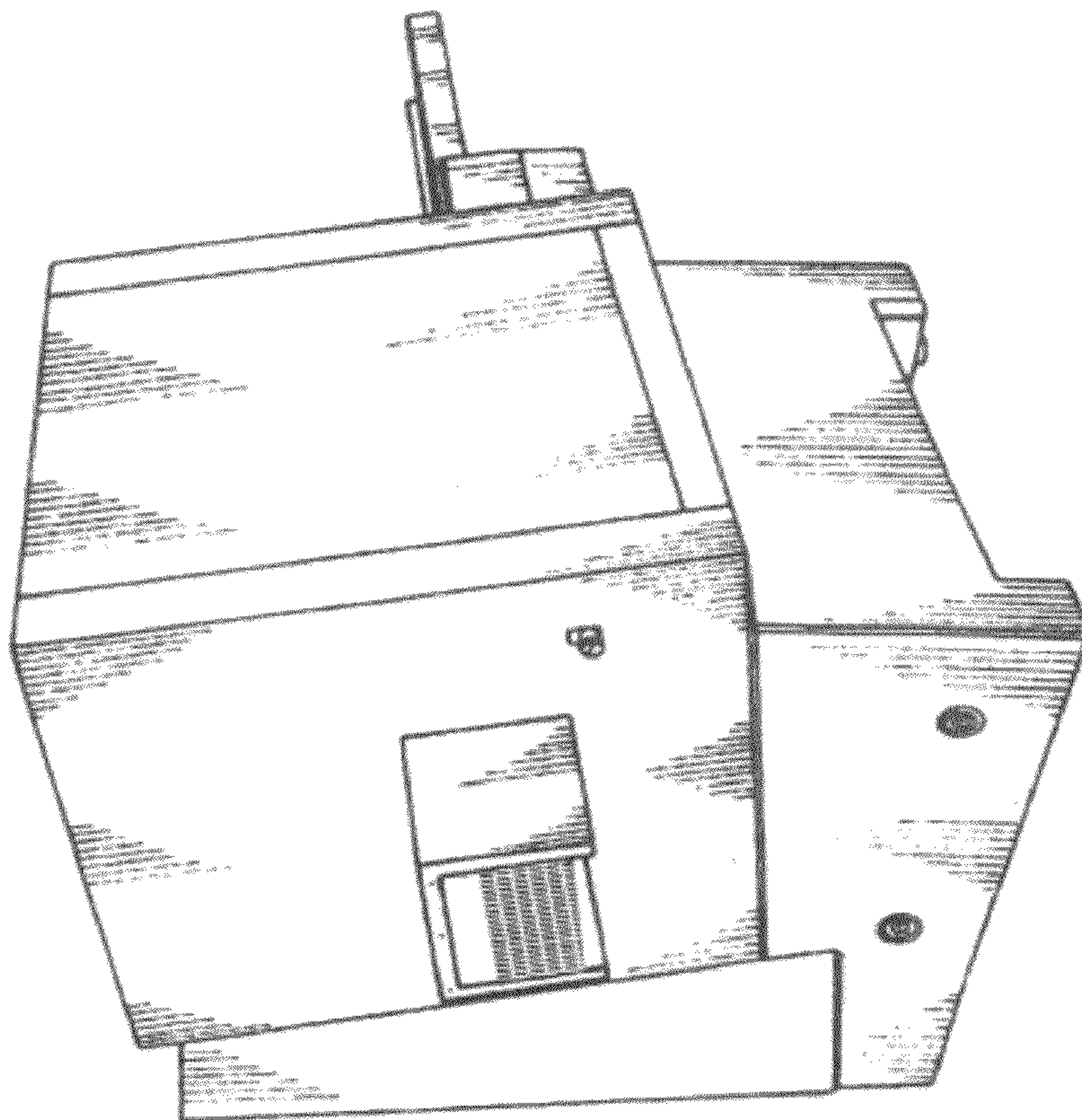


Fig. 3

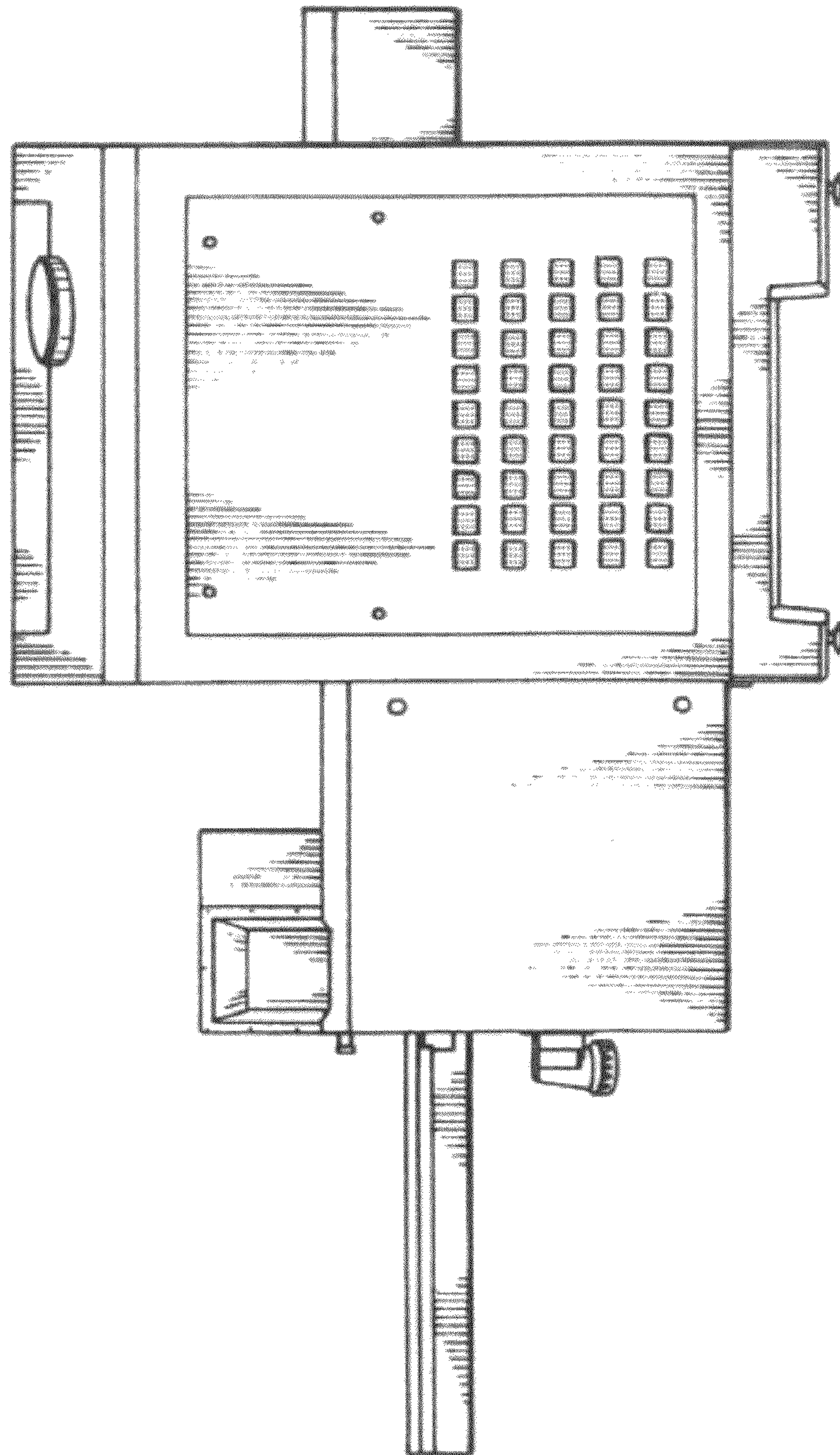
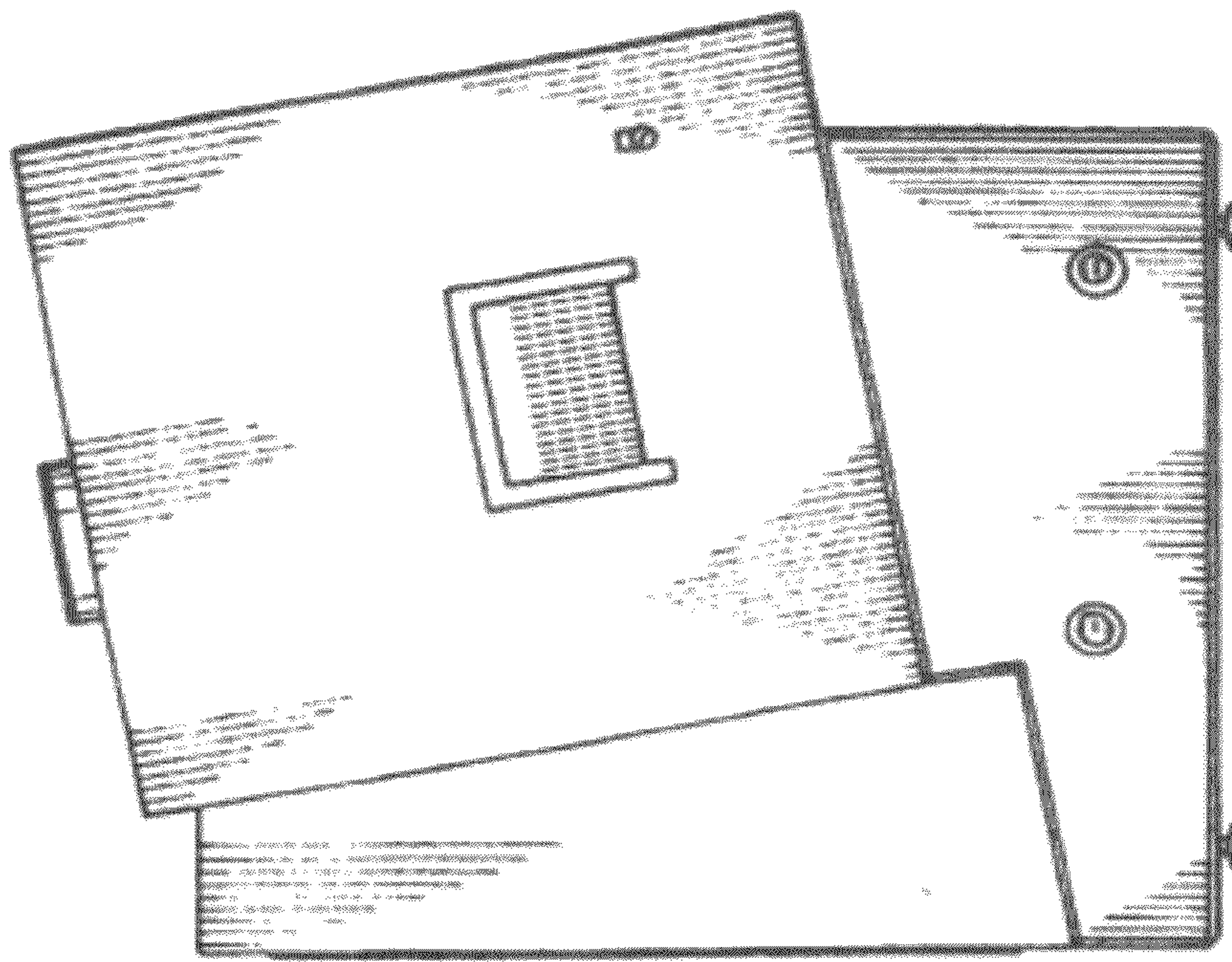


Fig. 4



Fig. 5



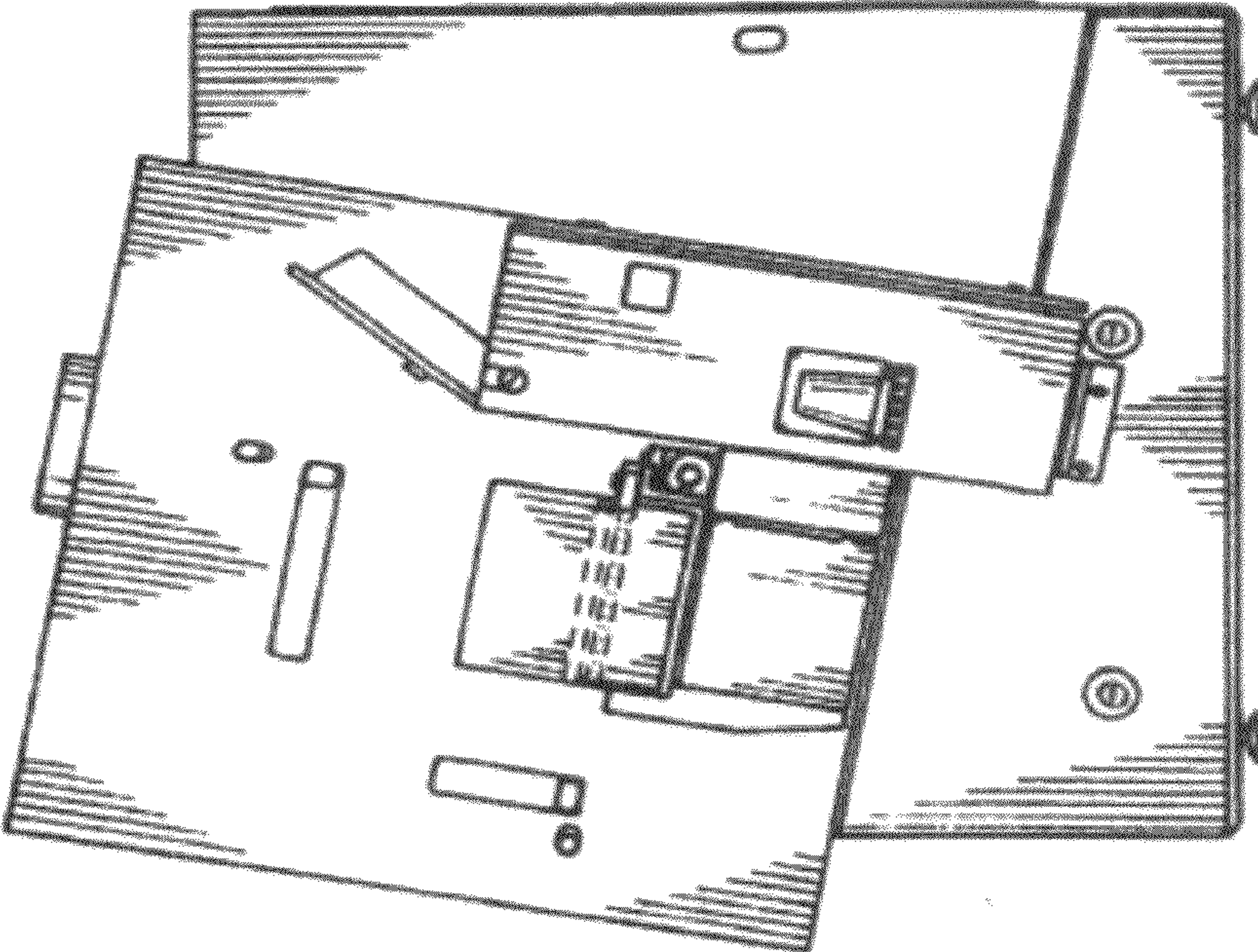


Fig. 6



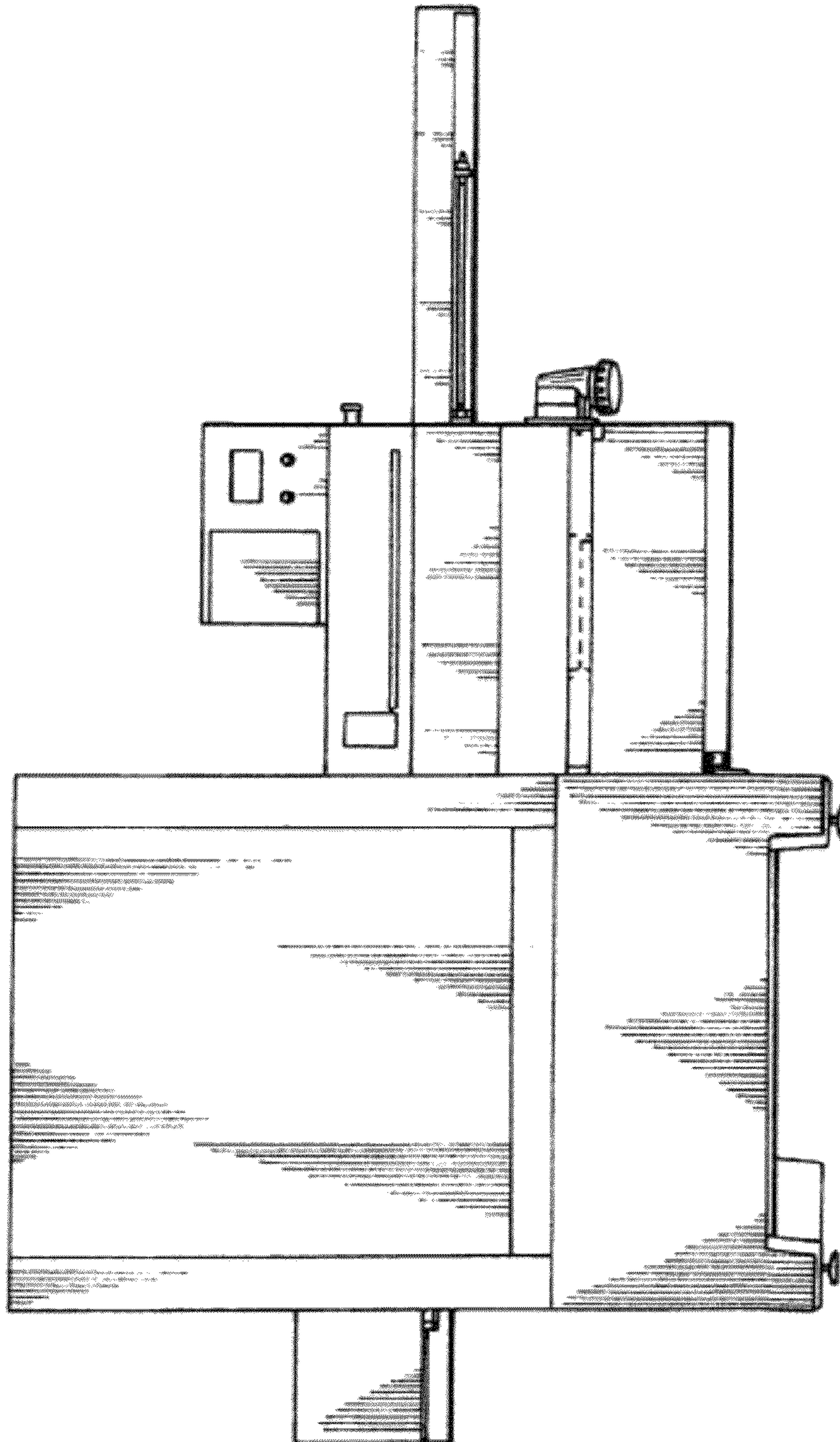


Fig. 7