

US00D673187S

(12) **United States Design Patent**  
**Seo et al.**

(10) **Patent No.:** **US D673,187 S**  
(45) **Date of Patent:** **\*\* Dec. 25, 2012**

(54) **REFRIGERATOR**

(75) Inventors: **Woonkyu Seo**, Seoul (KR); **Jungyeon Hwang**, Seoul (KR); **Seonkyu Kim**, Seoul (KR); **Seungjin Yoon**, Seoul (KR); **Daesung Lee**, Gyeonggi-do (KR)

(73) Assignee: **LG Electronics Inc.**, Seoul (KR)

(\*\*) Term: **14 Years**

(21) Appl. No.: **29/409,689**

(22) Filed: **Dec. 28, 2011**

(30) **Foreign Application Priority Data**

Jul. 6, 2011 (KR) ..... 30-2011-0028191

(51) **LOC (9) Cl.** ..... **15-07**

(52) **U.S. Cl.** ..... **D15/85**

(58) **Field of Classification Search** ..... D15/79,  
D15/81, 83-89, 91; 62/3.1, 3.6, 3.63, 3.64,  
62/389-400, 440, 441, 467, 531, 265, 246-255,  
62/293, 331; 312/236, 352, 400-408, 114-119,  
312/138.1

See application file for complete search history.

(56) **References Cited**

U.S. PATENT DOCUMENTS

D491,960 S \* 6/2004 Kang et al. .... D15/85  
D495,722 S \* 9/2004 Avalos Barcenas et al. ... D15/91  
D500,058 S \* 12/2004 Tunzi ..... D15/91  
D507,284 S \* 7/2005 Seo ..... D15/85  
D538,310 S \* 3/2007 Avalos Barcenas et al. ... D15/91

\* cited by examiner

*Primary Examiner* — Mitchell Siegel

(74) *Attorney, Agent, or Firm* — Morgan, Lewis & Bockius LLP

(57) **CLAIM**

The ornamental design for a refrigerator, as shown and described.

**DESCRIPTION**

FIG. 1 is a front, right side, perspective view of a refrigerator showing our new design;

FIG. 2 is a front view thereof;

FIG. 3 is a rear view thereof;

FIG. 4 is a left side view thereof;

FIG. 5 is a right side view thereof;

FIG. 6 is a top view thereof; and,

FIG. 7 is a bottom view thereof.

**1 Claim, 7 Drawing Sheets**

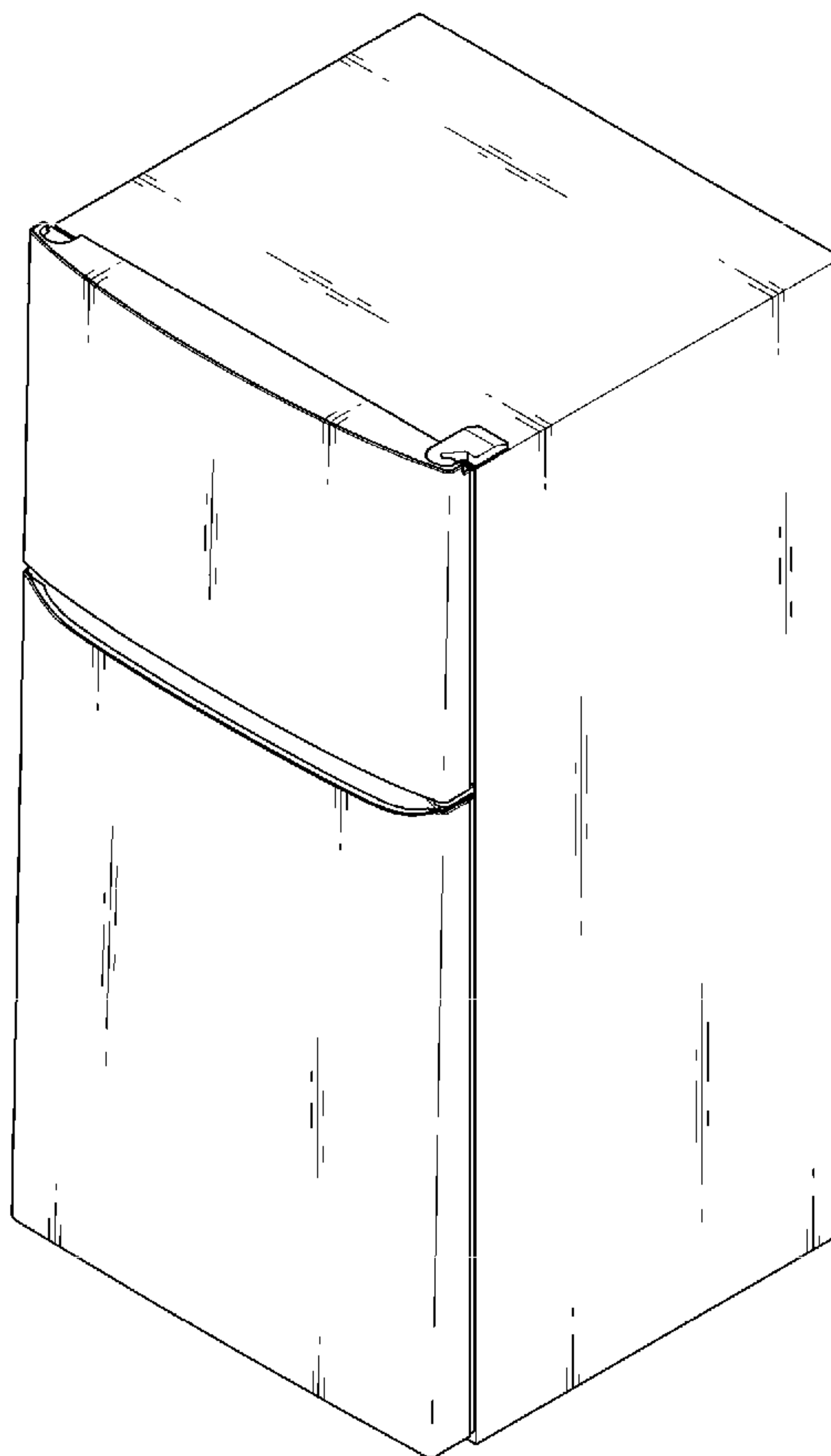


FIG. 1

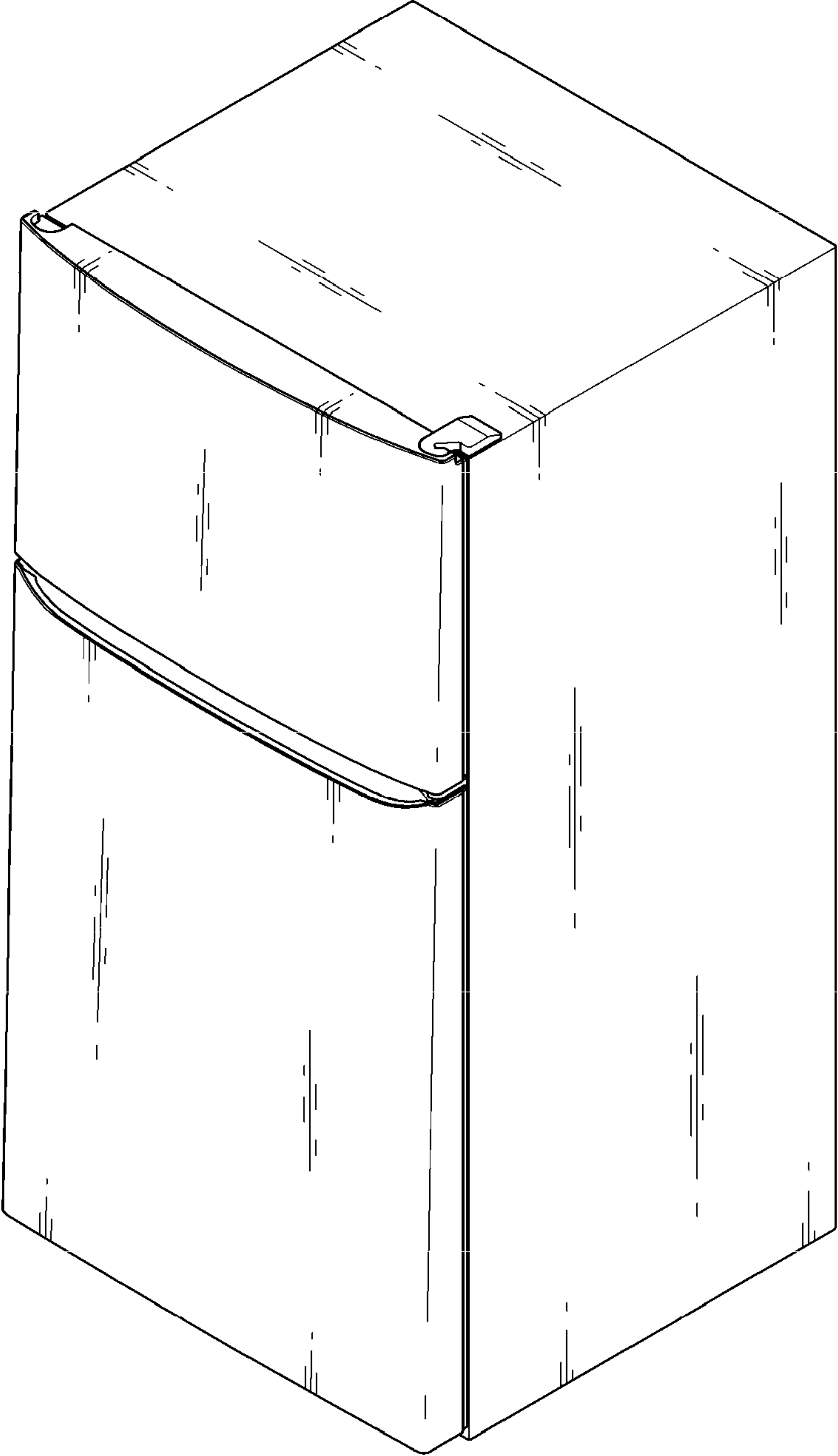


FIG. 2

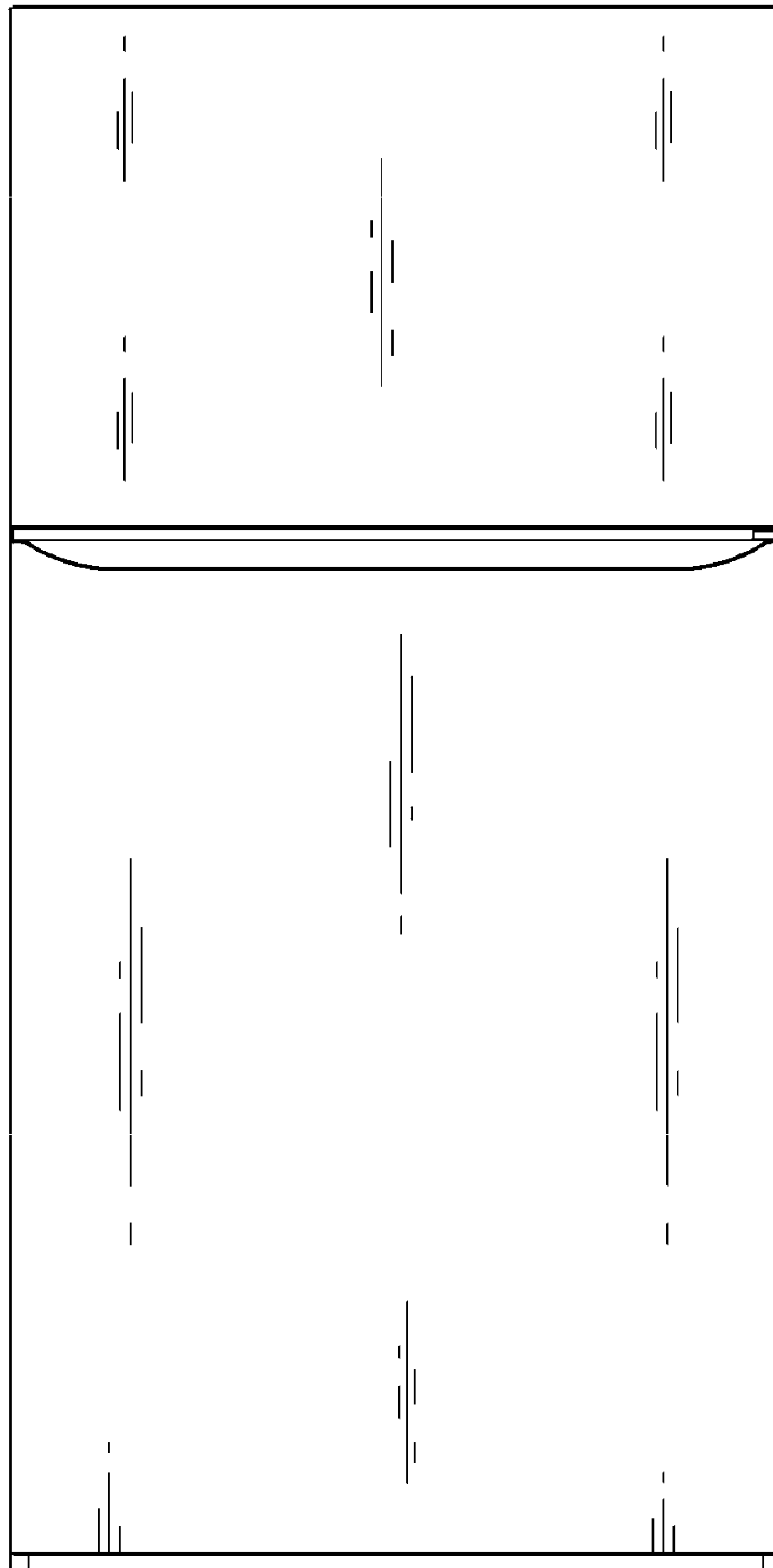


FIG. 3

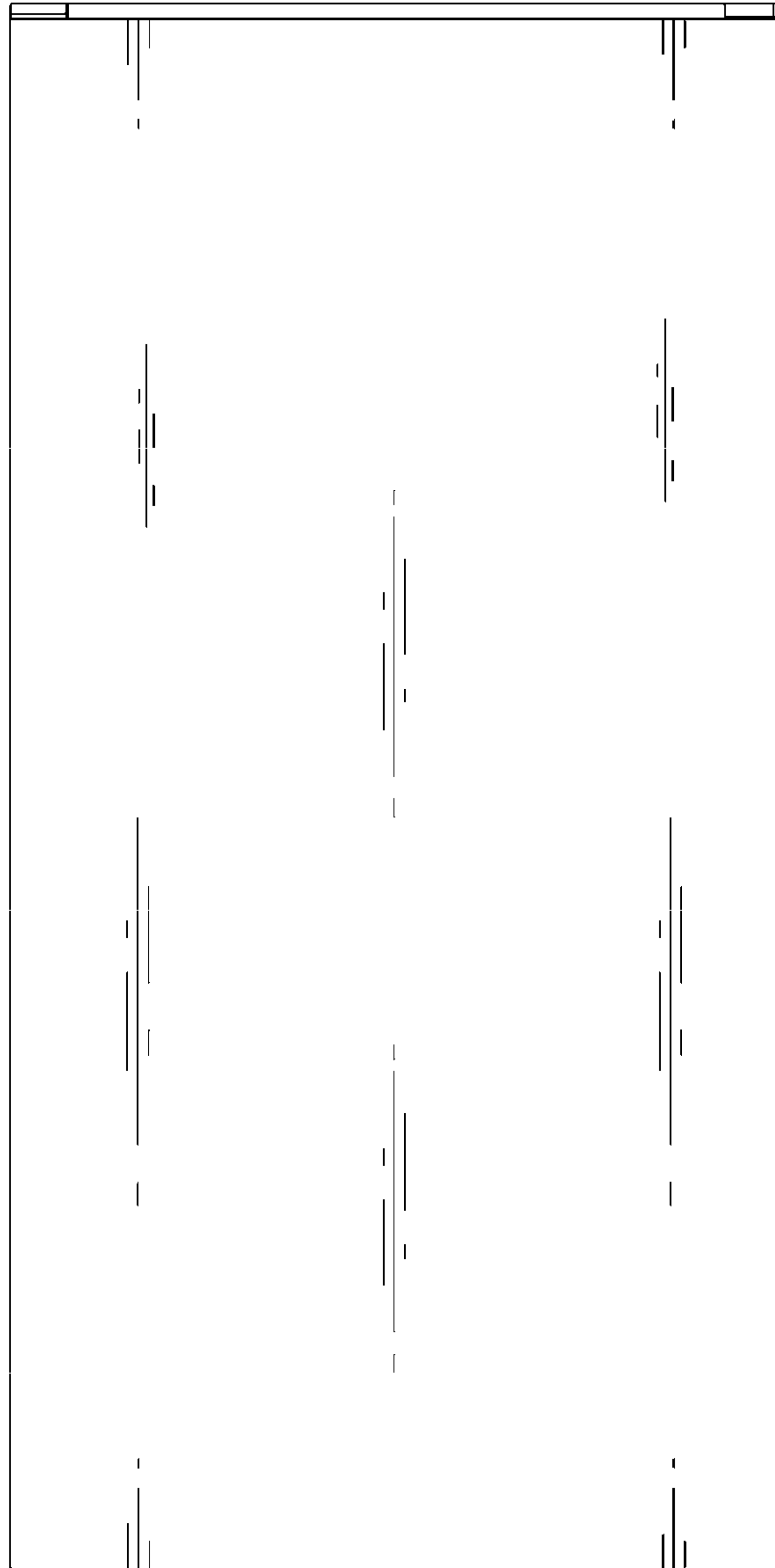


FIG. 4

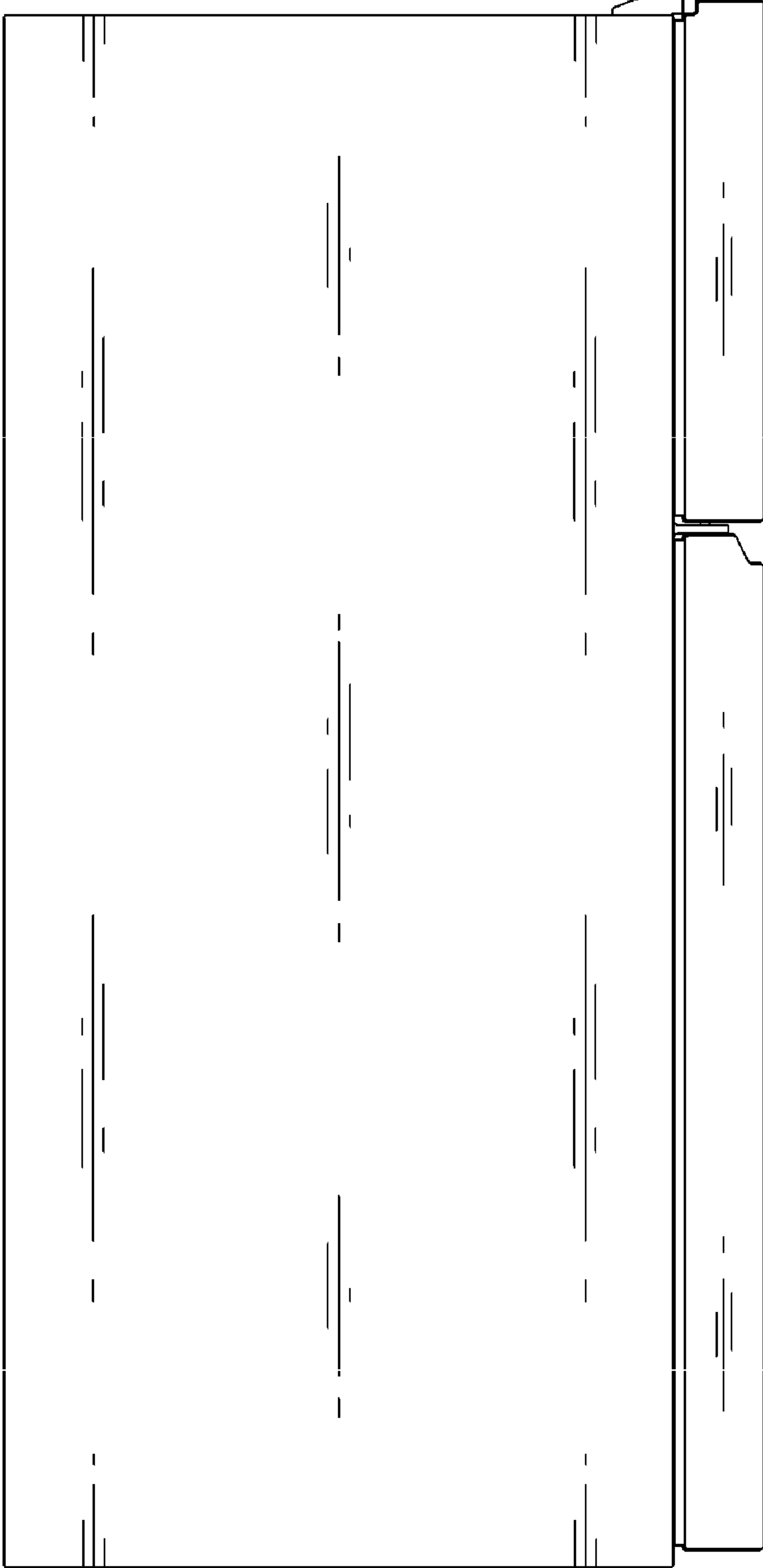


FIG. 5

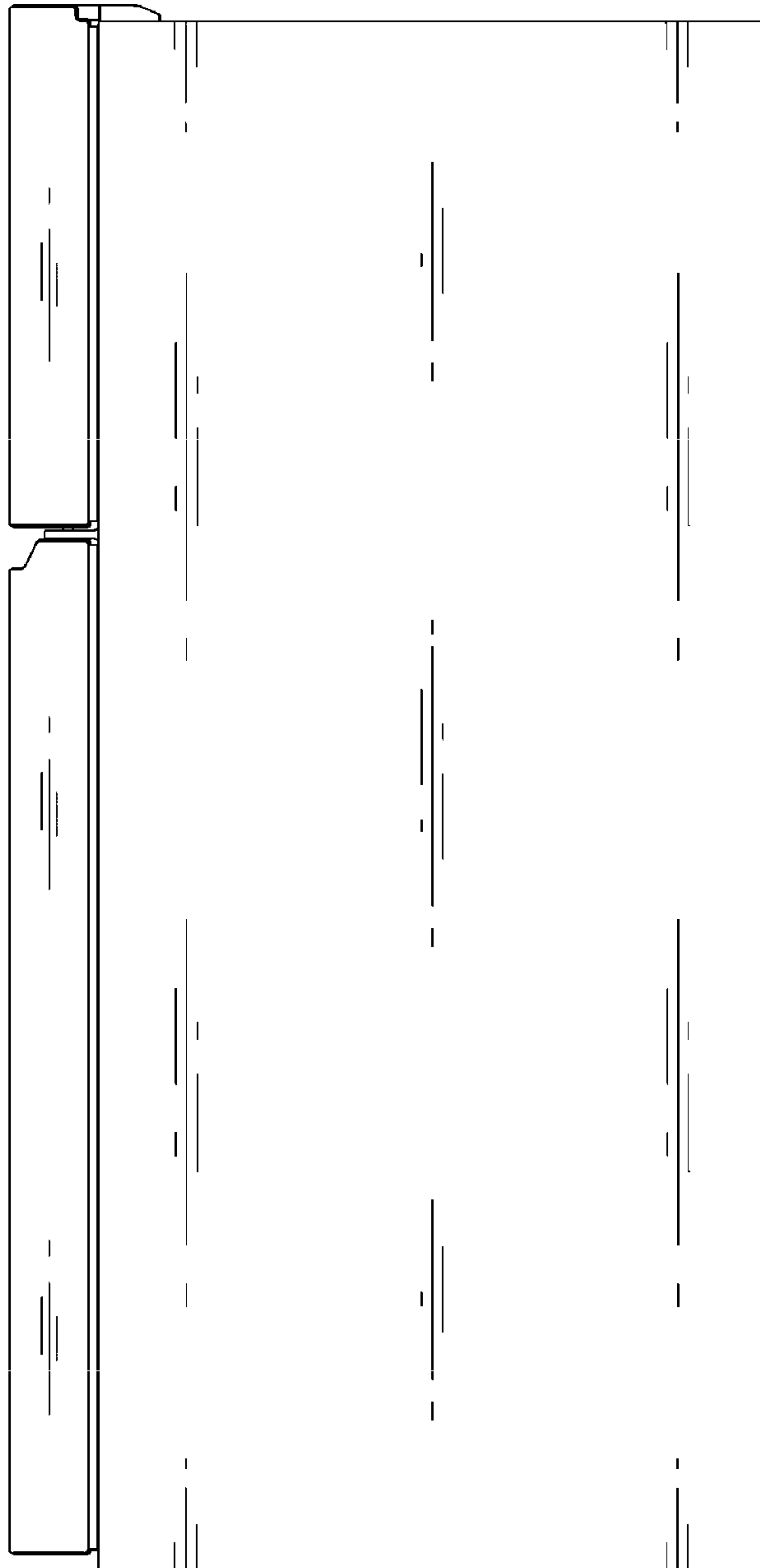


FIG. 6

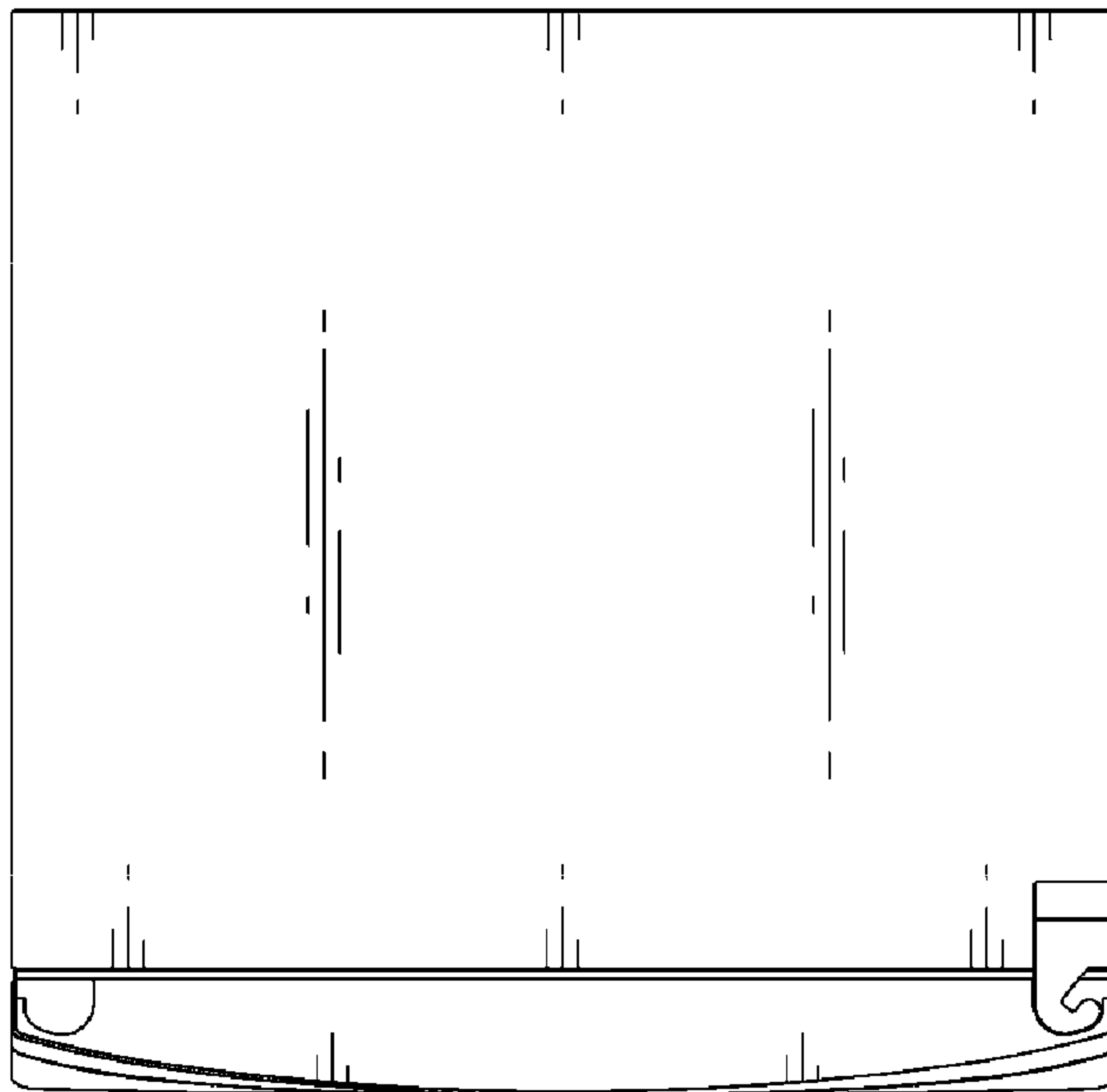


FIG. 7

