



US00D673186S

(12) **United States Design Patent**
Siu

(10) **Patent No.:** **US D673,186 S**

(45) **Date of Patent:** **** Dec. 25, 2012**

(54) **ICE CREAM MAKER**

D294,328 S * 2/1988 Uesaka D7/378
6,267,049 B1 * 7/2001 Silvano 62/342
D537,847 S * 3/2007 Li D15/82

(75) Inventor: **Eddie Siu**, Beaconsfield (AU)

* cited by examiner

(73) Assignee: **Breville Pty Limited**, Botany, New South Wales (AU)

Primary Examiner — Mitchell Siegel

(**) Term: **14 Years**

(74) *Attorney, Agent, or Firm* — Molins & Co.

(21) Appl. No.: **29/409,154**

(57) **CLAIM**

(22) Filed: **Dec. 20, 2011**

The ornamental design for an ice cream maker, as shown and described.

(30) **Foreign Application Priority Data**

Aug. 3, 2011 (AU) 13436/2011

DESCRIPTION

(51) **LOC (9) Cl.** **15-07**

(52) **U.S. Cl.** **D15/82**

(58) **Field of Classification Search** D15/79,
D15/82; D7/378, 376, 368; 312/3.6, 116,
312/138.1, 236, 401-408; 62/125, 126, 342
See application file for complete search history.

FIG. 1 is a front perspective view of an ice cream maker showing my new design;
FIG. 2 is a rear perspective view thereof;
FIG. 3 is a left view thereof;
FIG. 4 is a front view thereof;
FIG. 5 is a right view thereof;
FIG. 6 is a rear view thereof; and,
FIG. 7 is a top view thereof.

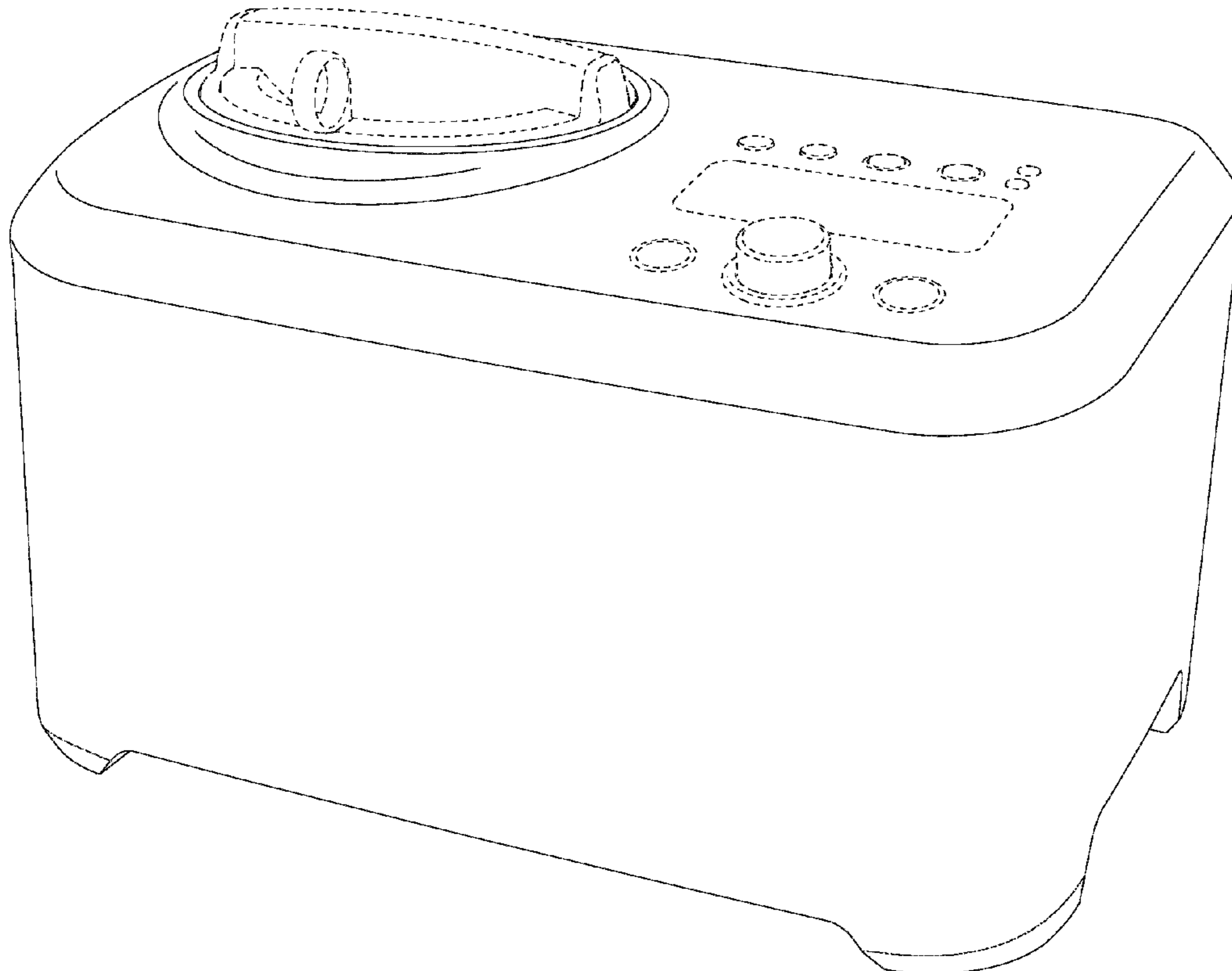
(56) **References Cited**

The broken lines shown in the drawings are for illustrative purposes only and form no part of the claimed design.

U.S. PATENT DOCUMENTS

4,573,329 A * 3/1986 Cavalli 62/342
D292,098 S * 9/1987 Pandolfi D15/82

1 Claim, 7 Drawing Sheets



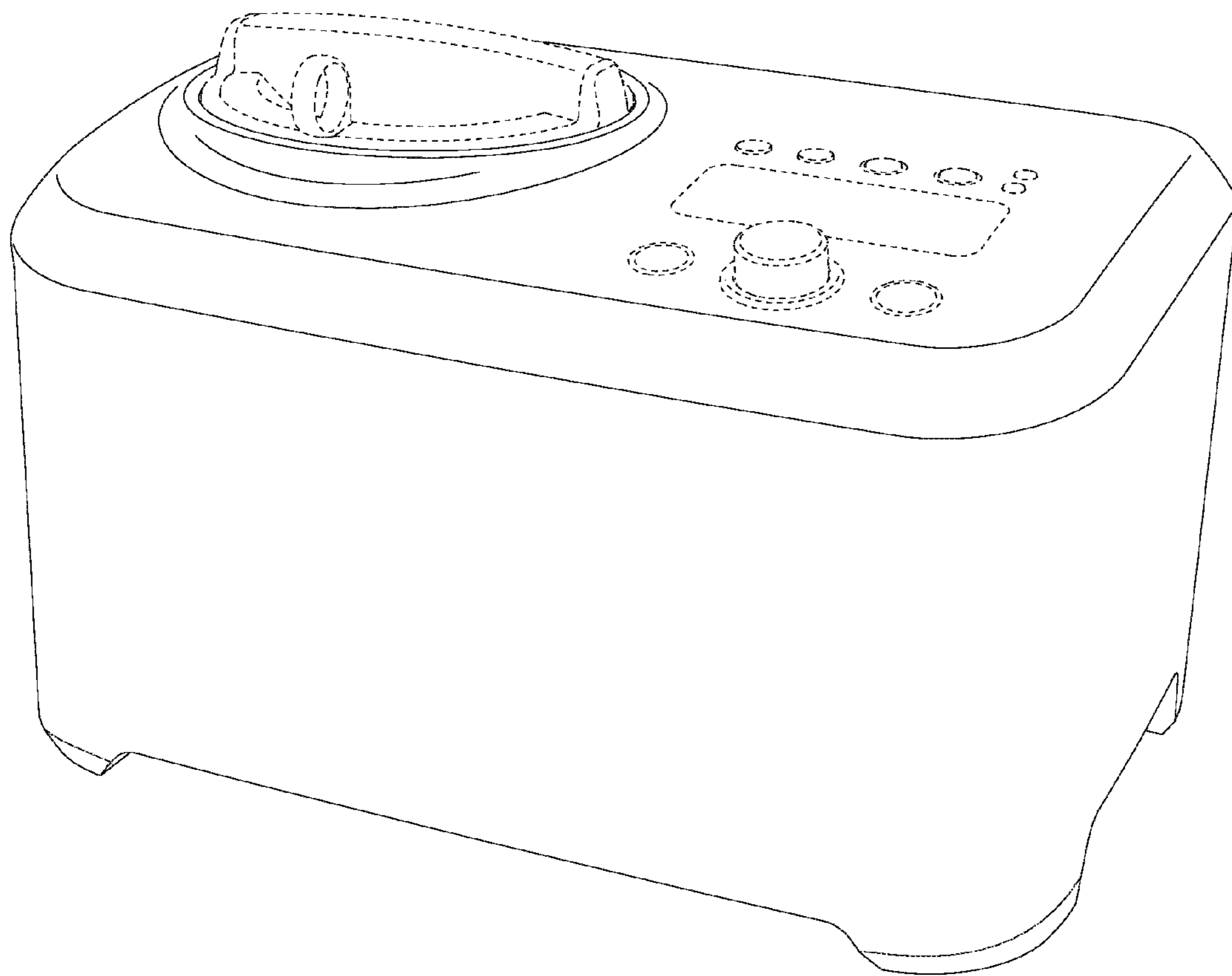


FIG. 1

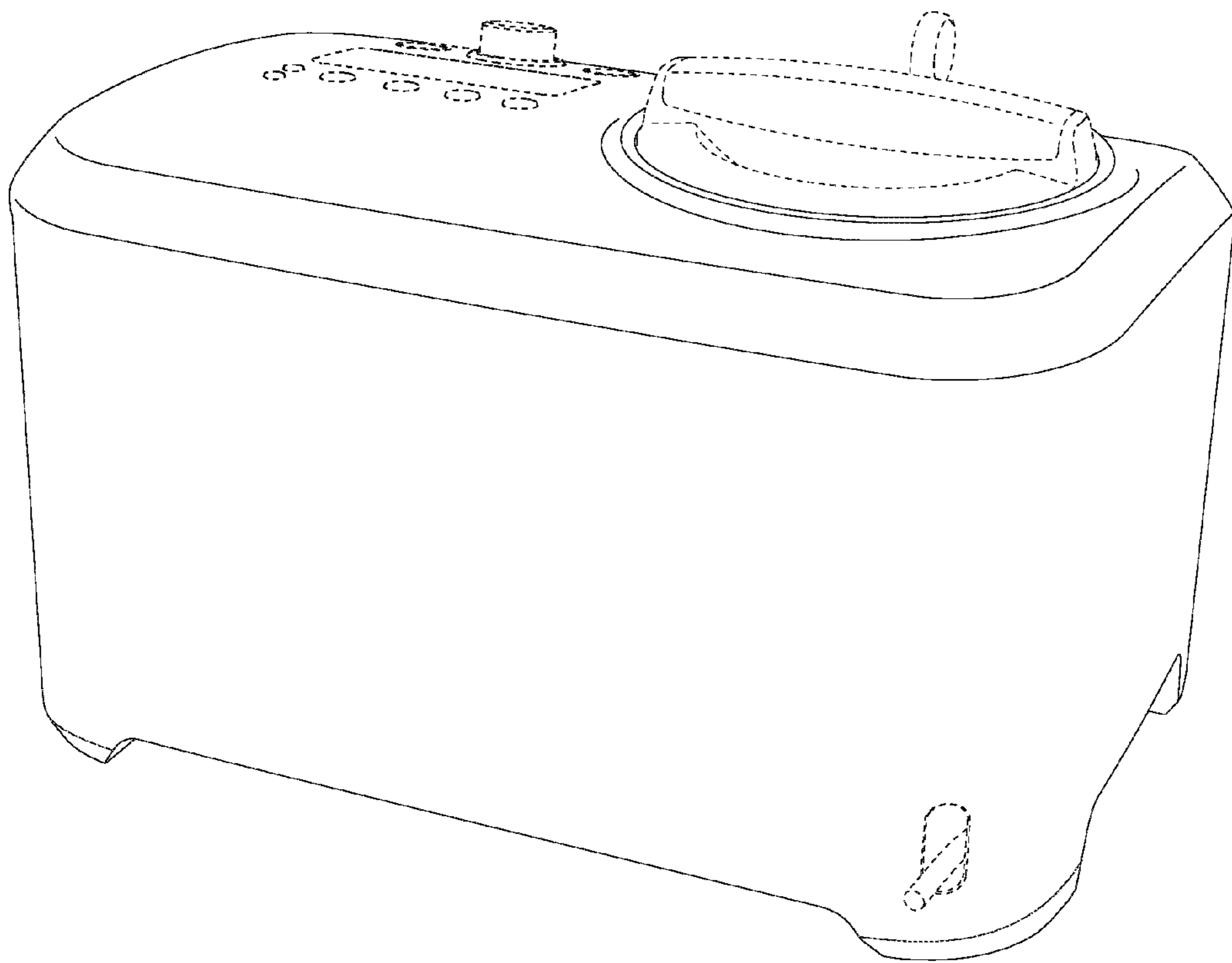


FIG. 2

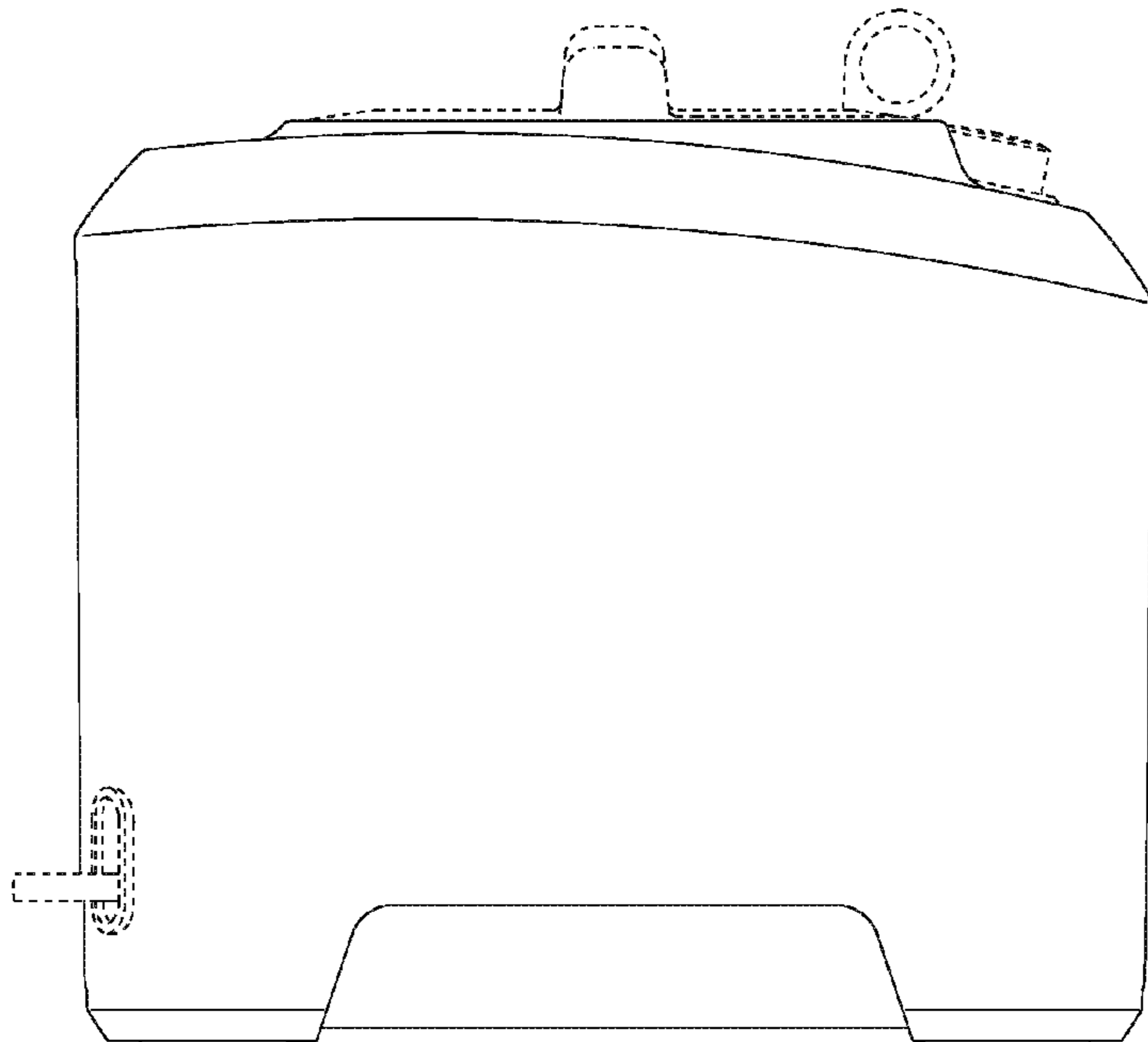


FIG. 3

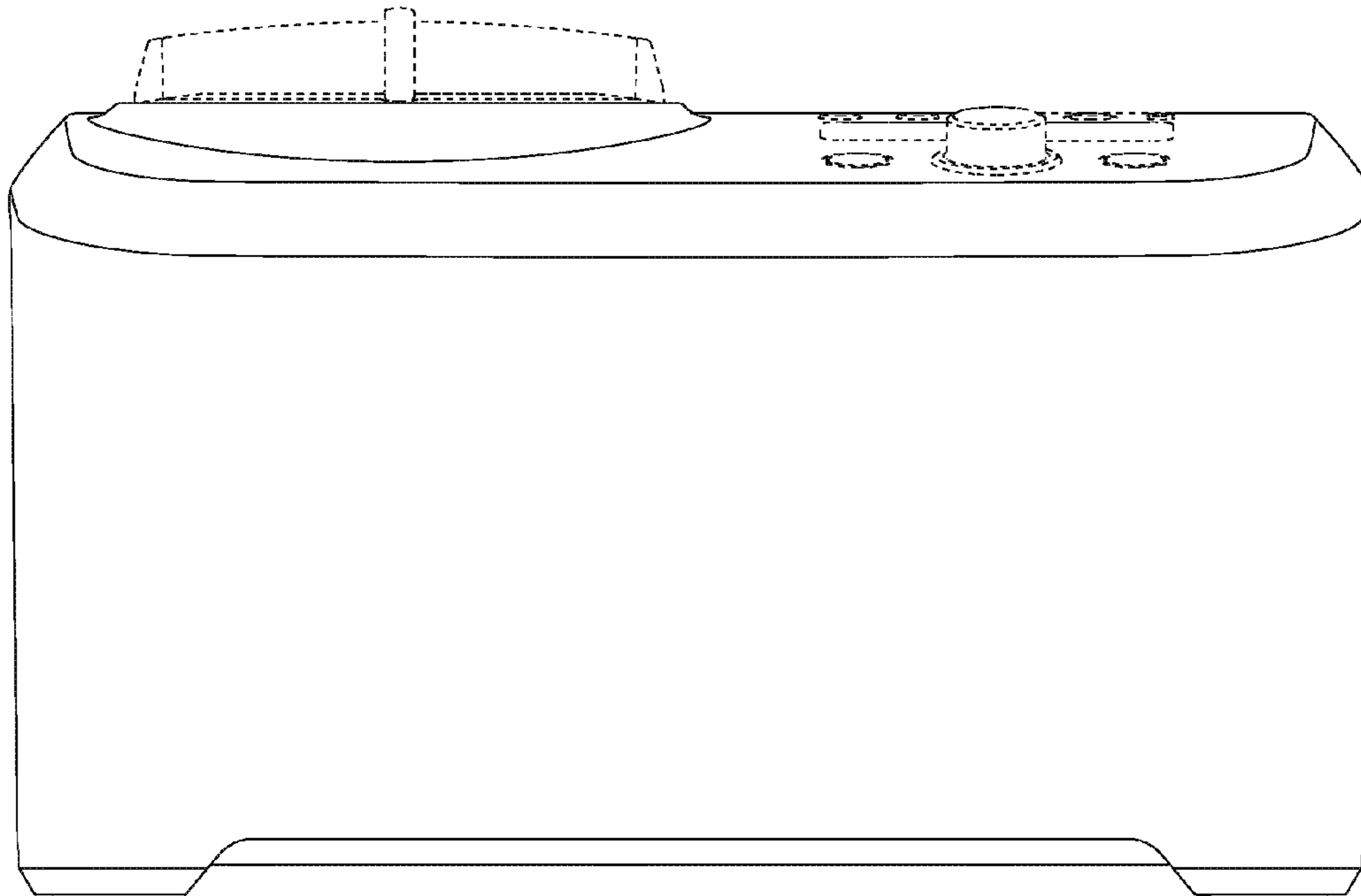


FIG. 4

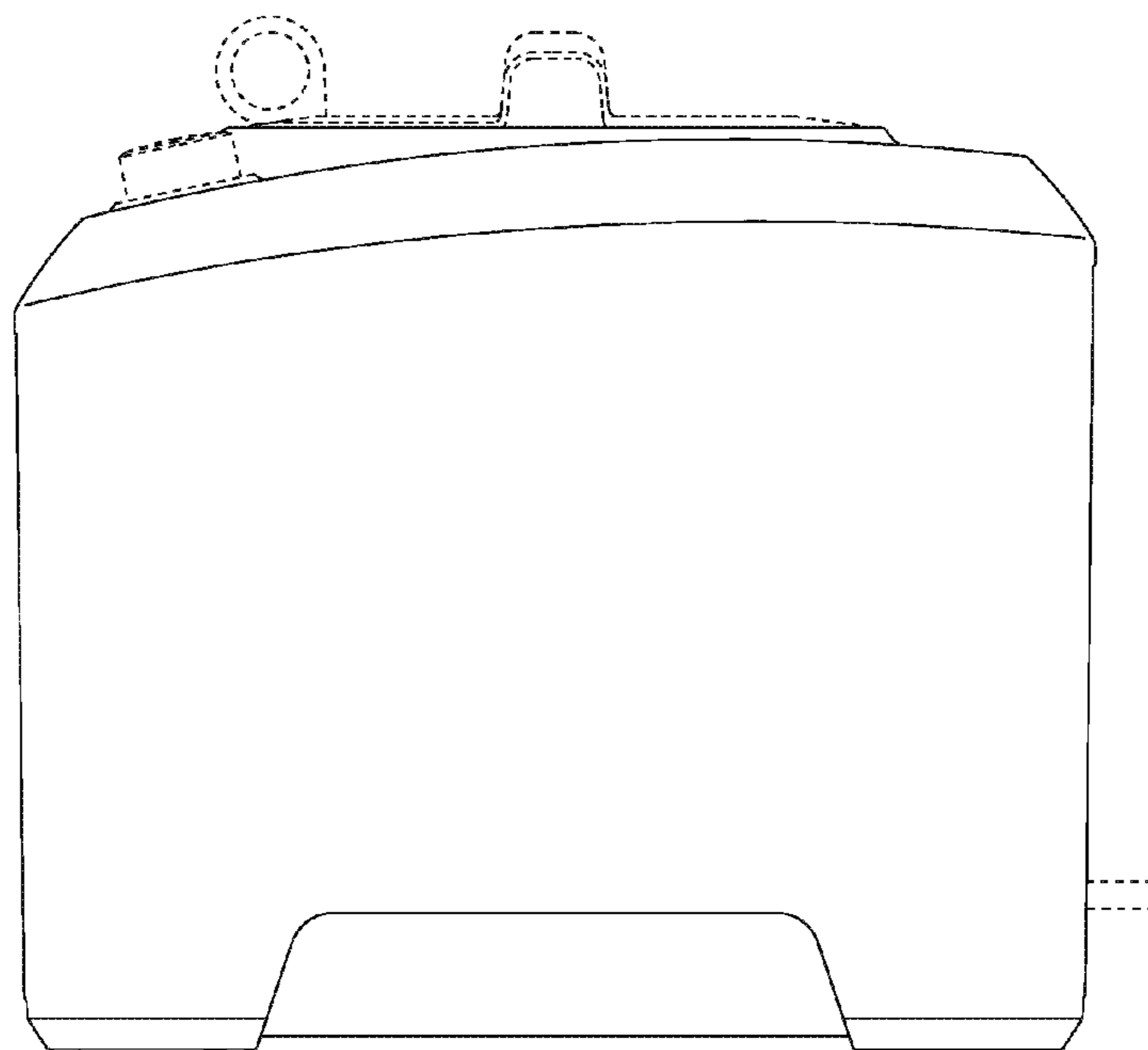


FIG. 5

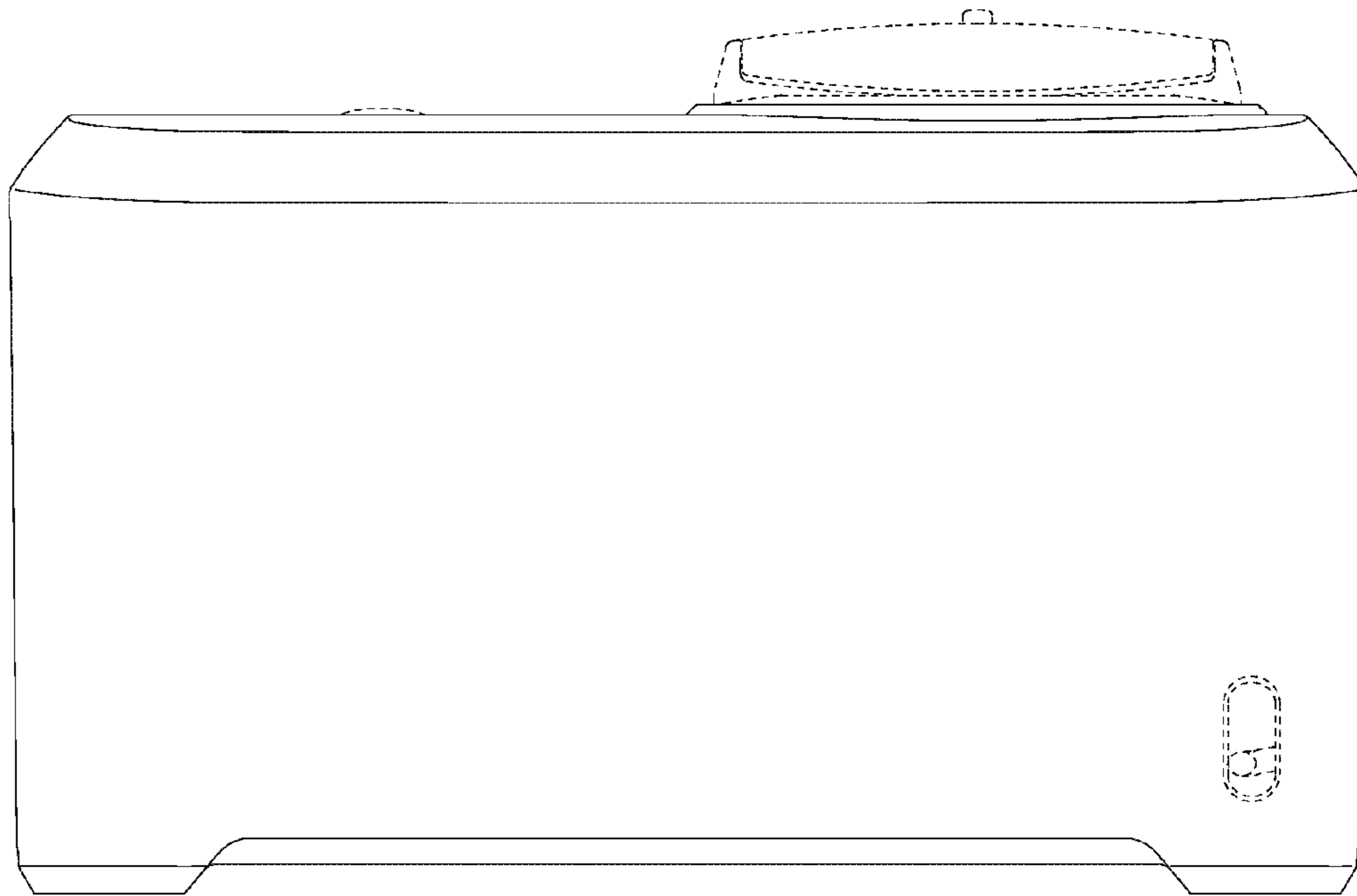


FIG. 6

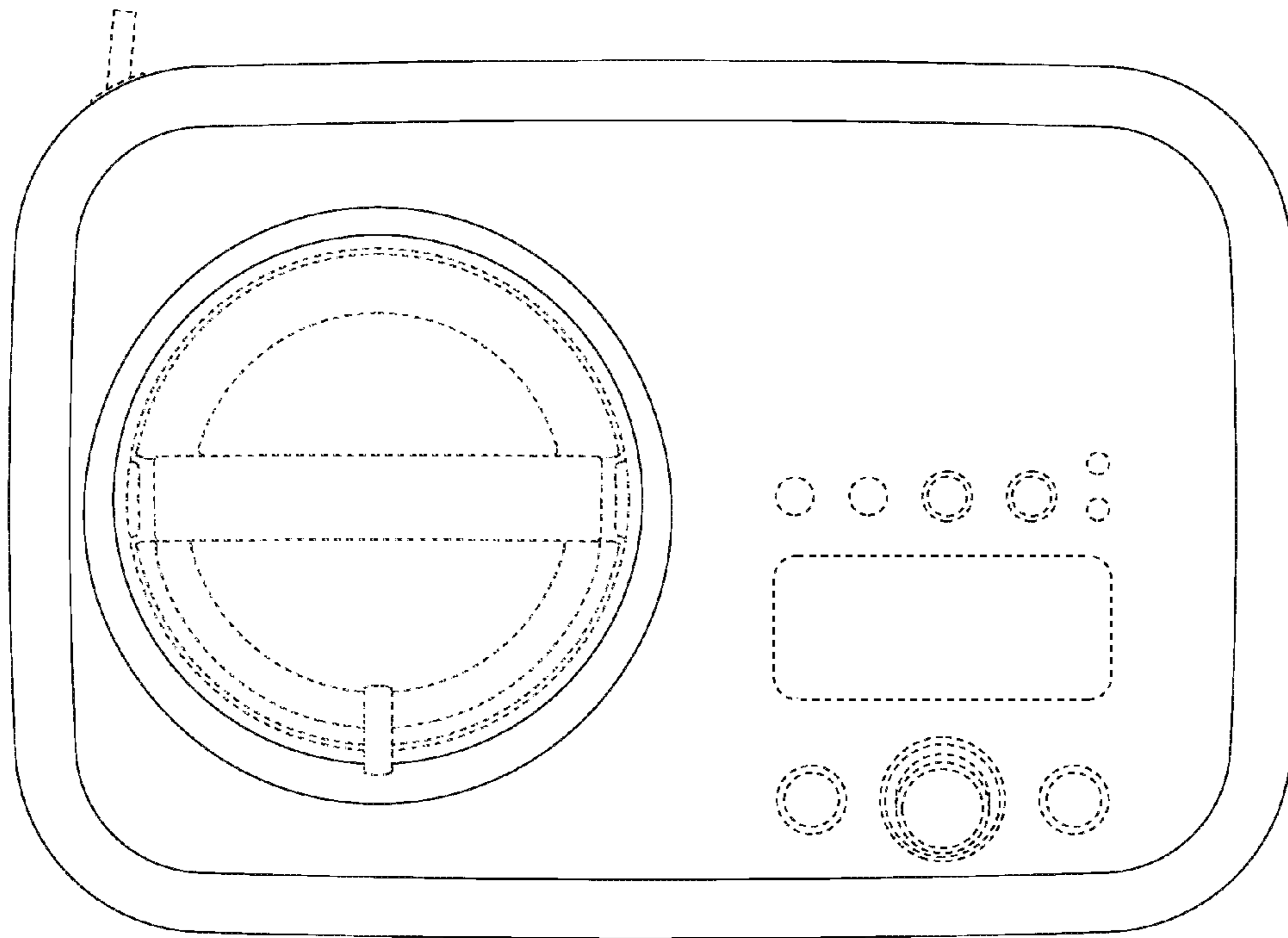


FIG. 7