



US00D673181S

(12) **United States Design Patent**
Martin et al.

(10) **Patent No.:** **US D673,181 S**
(45) **Date of Patent:** **** Dec. 25, 2012**

- (54) **MOWER DECK OF WALK POWER LAWN MOWER**
- (75) Inventors: **David J. Martin**, Eden Prairie, MN (US); **Chris A. Wadzinski**, Inver Grove Heights, MN (US)
- (73) Assignee: **The Toro Company**, Bloomington, MN (US)
- (**) Term: **14 Years**
- (21) Appl. No.: **29/408,055**
- (22) Filed: **Dec. 6, 2011**
- (51) **LOC (9) Cl.** **15-03**
- (52) **U.S. Cl.** **D15/17**
- (58) **Field of Classification Search** D15/10, D15/14-18; 56/12.8, 12.7, 13.4, 16.7, 17.5, 56/202, 254, 255, 294, 11.4, 320.1, 320.2, 56/249, 252, 11.9, 17.4, 295; 280/43.17
See application file for complete search history.

- D620,030 S * 7/2010 Baetica D15/14
- D622,291 S * 8/2010 Martin et al. D15/14
- D627,371 S * 11/2010 Baetica D15/14
- D627,372 S * 11/2010 Baetica D15/14
- D628,598 S * 12/2010 Neeley et al. D15/14
- D648,354 S * 11/2011 Hattori et al. D15/17

OTHER PUBLICATIONS

Toro Manufacturing Corporation, 28" Whirlwind Parts List, 1963.
* cited by examiner

Primary Examiner — Mark Goodwin
(74) *Attorney, Agent, or Firm* — James W. Miller

(57) **CLAIM**
The ornamental design for a mower deck of a walk power lawn mower, as shown and described.

DESCRIPTION

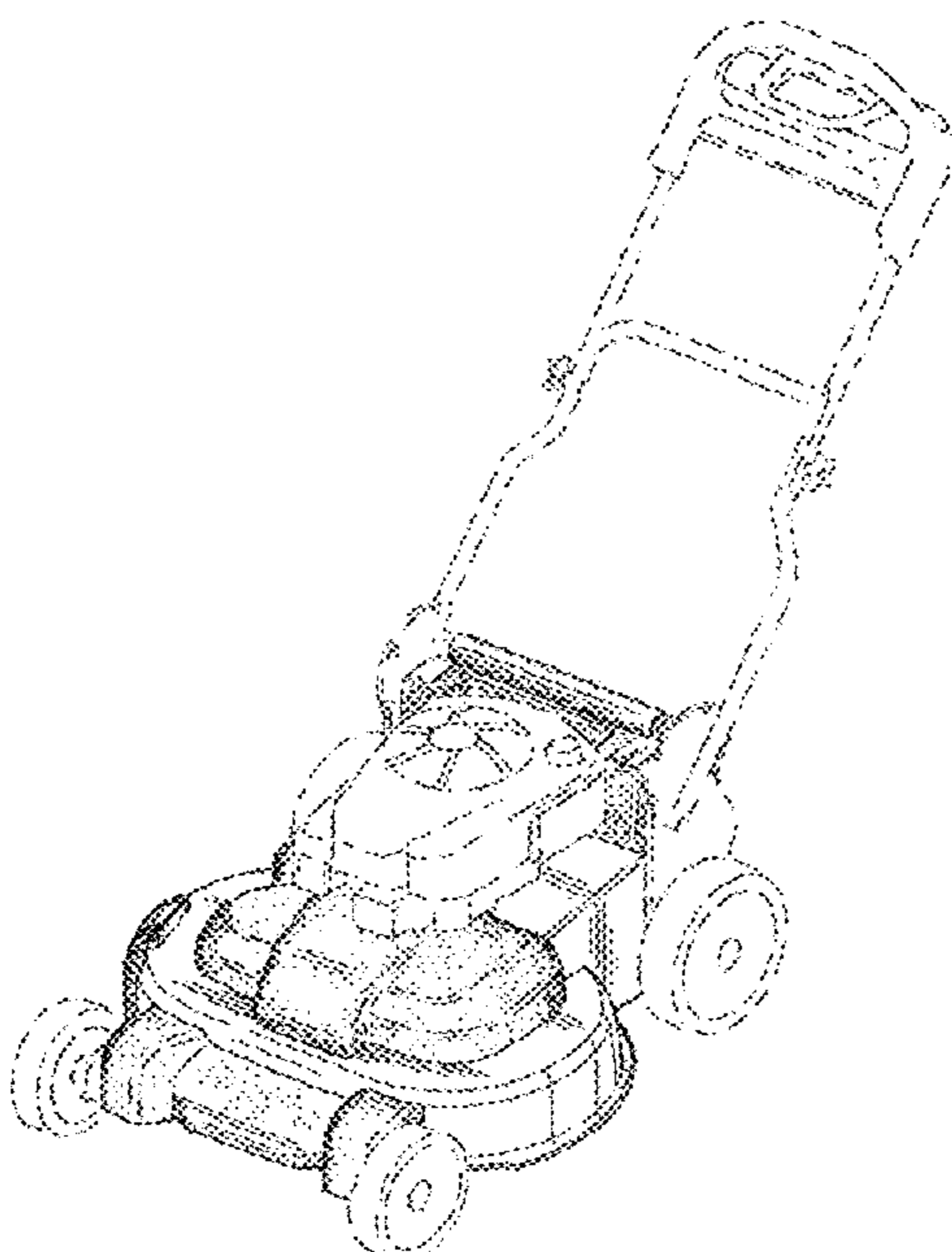
FIG. 1 is a perspective view of a mower deck of a walk power lawn mower showing our new design; FIG. 2 is a front elevational view of the invention illustrated in FIG. 1; FIG. 3 is a right elevational view of the invention illustrated in FIG. 1; FIG. 4 is a left elevational view of the invention illustrated in FIG. 1; FIG. 5 is a back elevational view of the invention illustrated in FIG. 1; and, FIG. 6 is a top plan view of the invention illustrated in FIG. 1. The broken line showings of the handle assembly, the handle assembly mounting flanges, the engine, the front wheels, and the rear wheels are for illustrative purposes only and form no part of the claimed design.

(56) **References Cited**

U.S. PATENT DOCUMENTS

2,763,116	A	9/1956	Flinchbaugh	
2,815,634	A	12/1957	Bush	
2,926,478	A	3/1960	Jepson	
3,000,165	A	9/1961	Lill	
3,485,018	A	12/1969	Beckering et al.	
3,667,199	A	6/1972	Bloom	
4,055,036	A	10/1977	Kidd	
D426,836	S *	6/2000	Sirois et al.	D15/14
D449,840	S *	10/2001	Concari et al.	D15/14
D450,064	S *	11/2001	Concari et al.	D15/14
D489,734	S *	5/2004	Lin	D15/14
D500,054	S *	12/2004	Jager	D15/14
D610,167	S	2/2010	Martin et al.	
D620,029	S *	7/2010	Baetica	D15/14

1 Claim, 6 Drawing Sheets



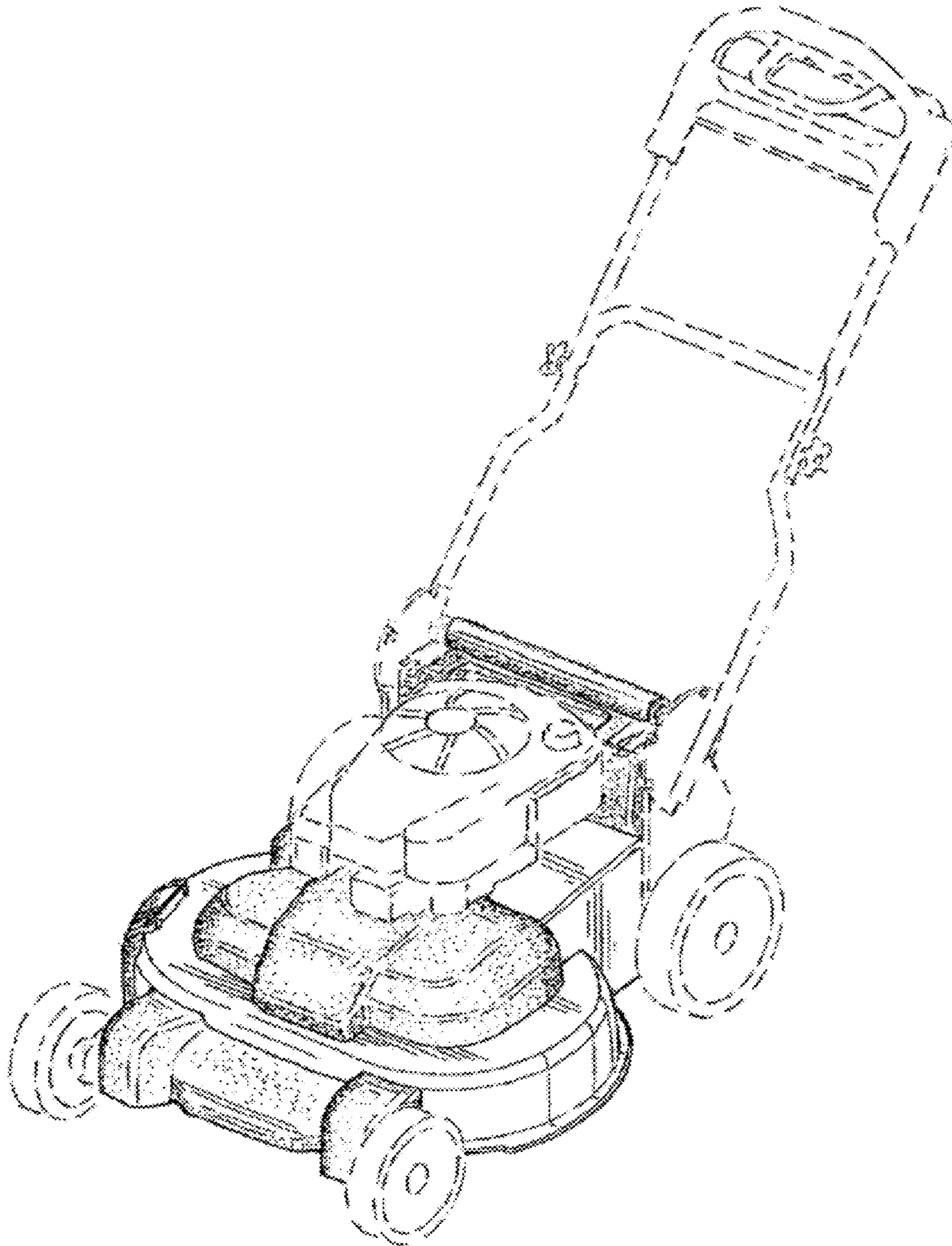


FIG. 1

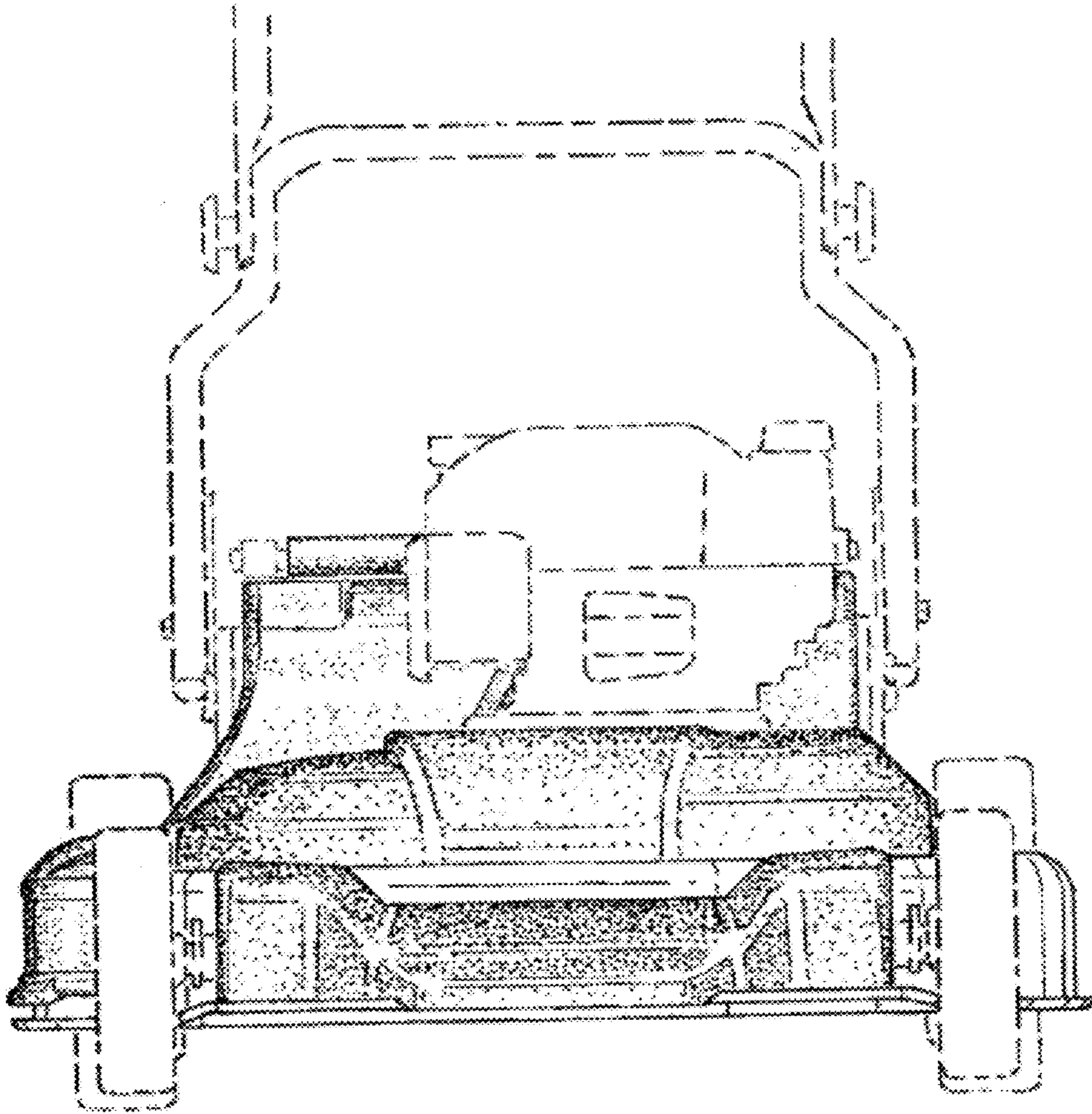
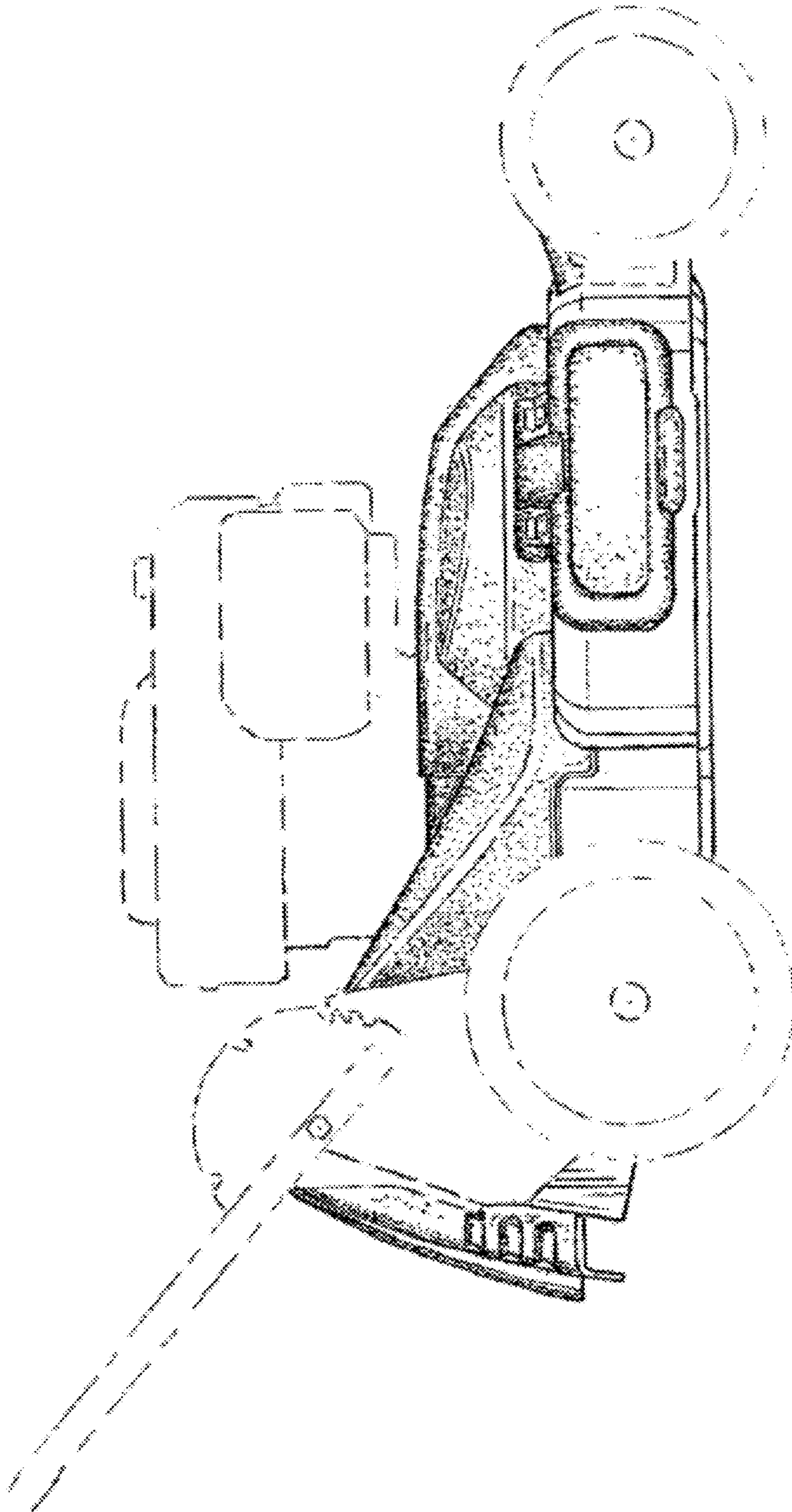


FIG. 2



F I G . 3

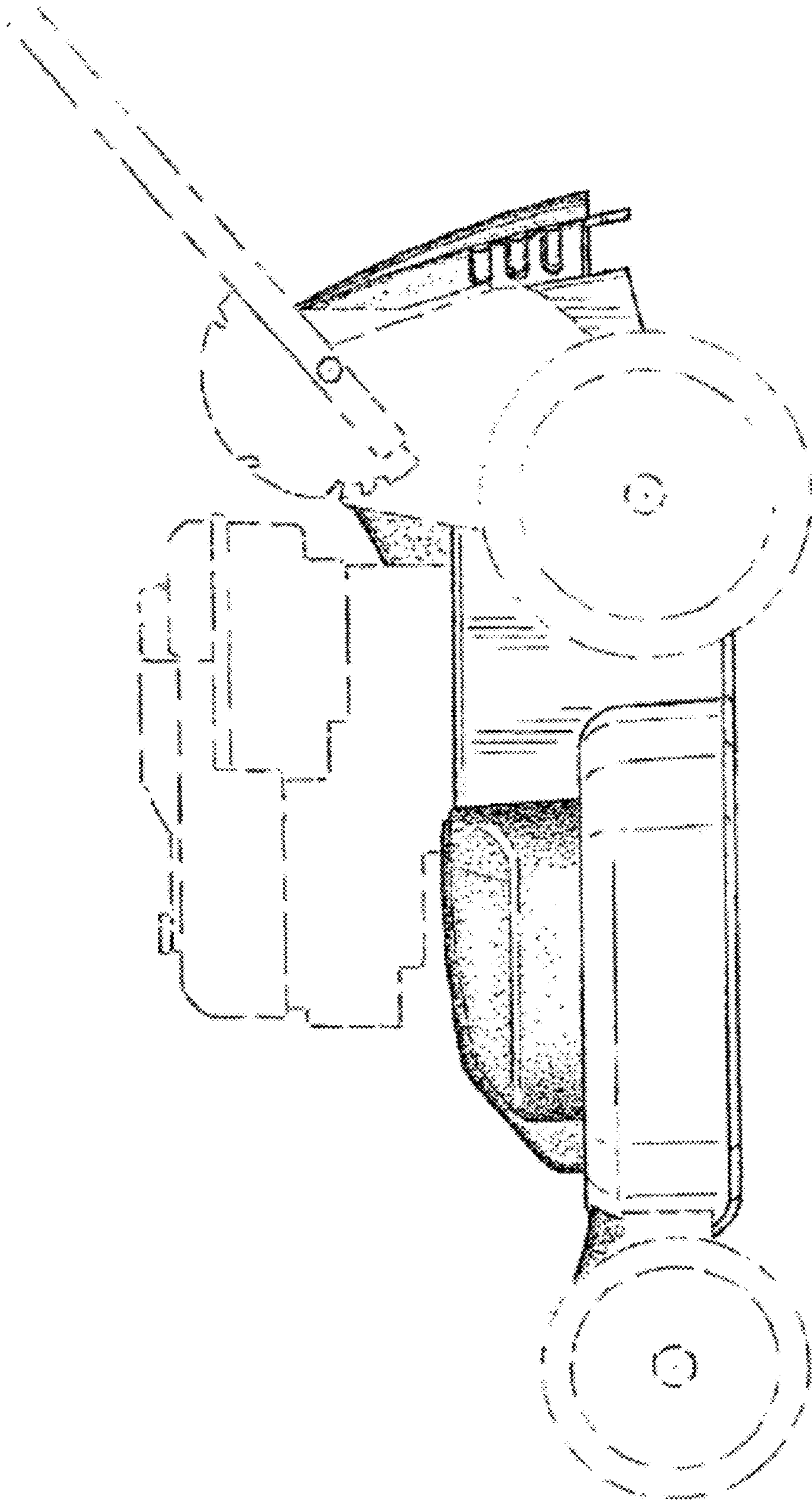


FIG. 4

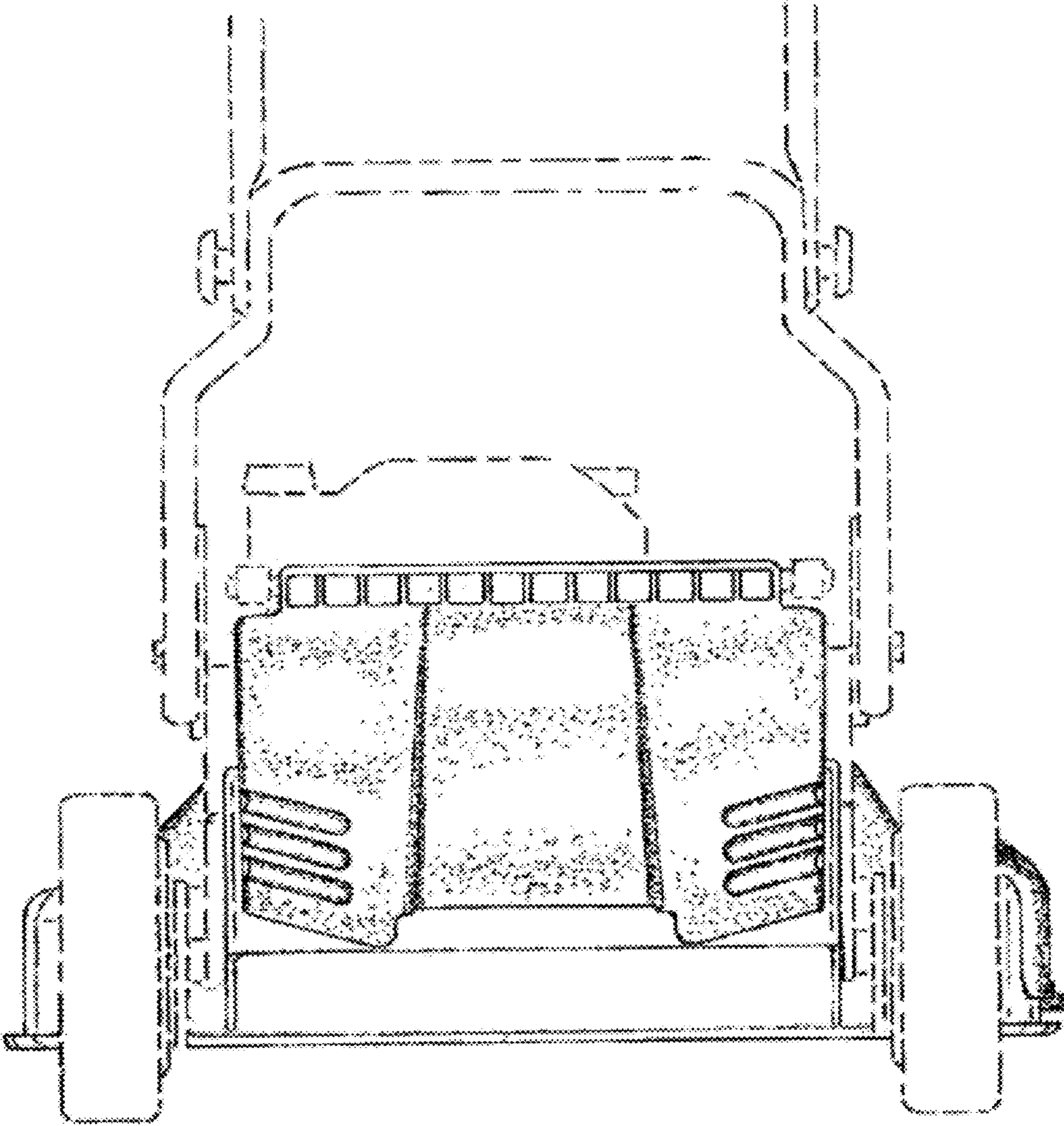


FIG. 5

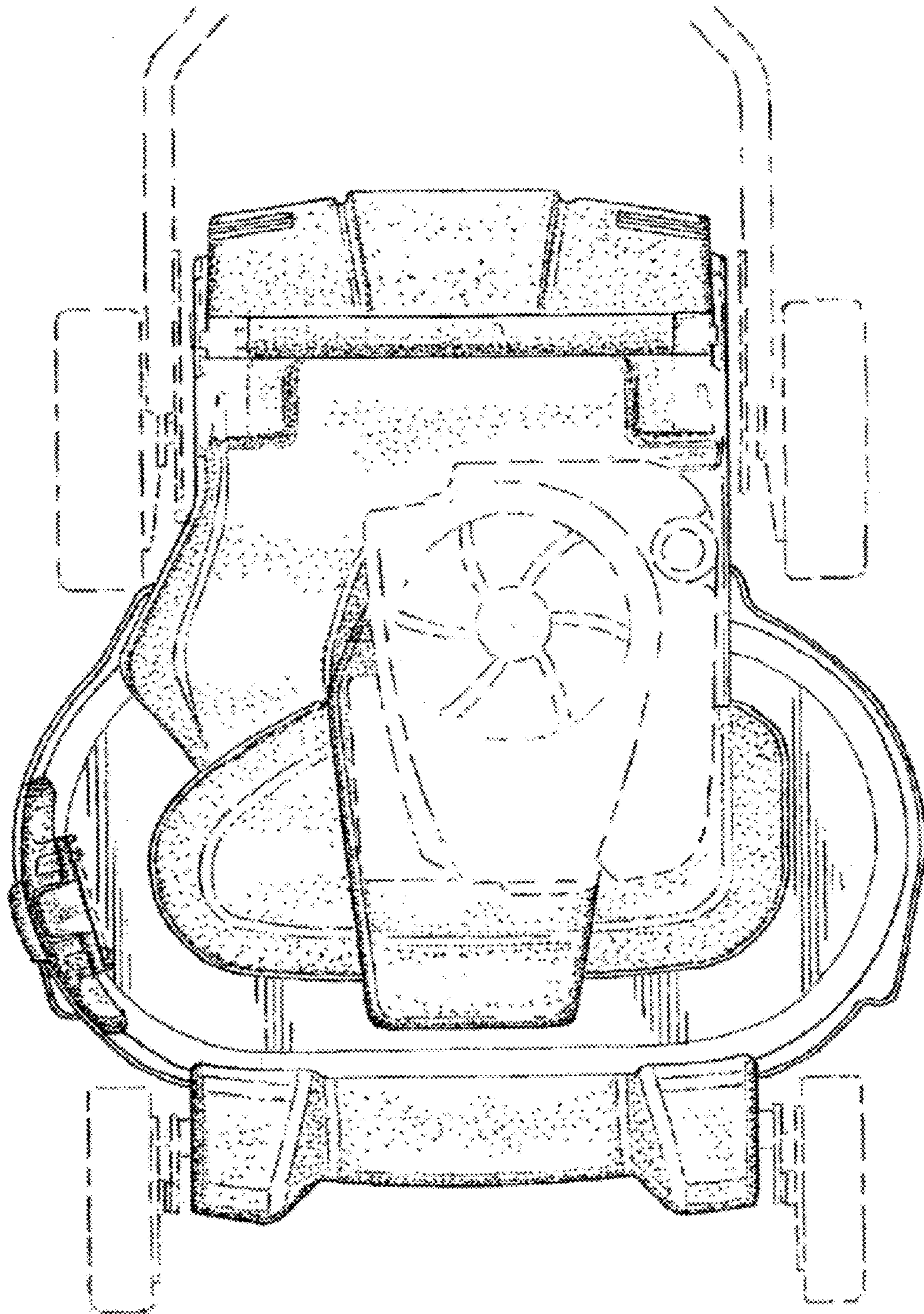


FIG. 6