



US00D673180S

(12) **United States Design Patent**
Nam et al.

(10) **Patent No.:** **US D673,180 S**

(45) **Date of Patent:** **** Dec. 25, 2012**

(54) **COMPRESSOR COVER FOR AUTOMOBILES**

(75) Inventors: **Taek Kyun Nam**, Pusan (KR); **Jung Ho Lee**, Gyeongsangnam-do (KR)

(73) Assignee: **GCS. Inc., Ltd**, Kimhae, Kyoung-nam (KR)

(**) Term: **14 Years**

(21) Appl. No.: **29/399,540**

(22) Filed: **Aug. 16, 2011**

(51) **LOC (9) Cl.** **15-02**

(52) **U.S. Cl.** **D15/9**

(58) **Field of Classification Search** D15/7-9;
D23/231, 232, 225; 417/60, 235, 265, 321,
417/355, 358, 363, 359, 410.1, 415-416,
417/405, 900; 60/408, 412; 184/26-37;
415/140-147; 123/495, 509

See application file for complete search history.

(56) **References Cited**

U.S. PATENT DOCUMENTS

D381,993 S *	8/1997	Takenaka et al.	D15/9
D429,738 S *	8/2000	Kayukawa et al.	D15/9
D435,856 S *	1/2001	Kato	D15/9
D441,377 S *	5/2001	Kawaguchi et al.	D15/9
D441,378 S *	5/2001	Kou	D15/9
D452,254 S *	12/2001	Kawaguchi et al.	D15/9
D460,460 S *	7/2002	Kayukawa et al.	D15/9
D462,364 S *	9/2002	Fujita et al.	D15/9
D466,526 S *	12/2002	Fujii et al.	D15/9
D537,452 S *	2/2007	Chu	D15/9

D537,843 S *	3/2007	Chu	D15/9
D538,301 S *	3/2007	Chu	D15/9
D617,348 S *	6/2010	Chu	D15/9
D623,666 S *	9/2010	Chu	D15/9
D624,095 S *	9/2010	Chu	D15/9
D625,338 S *	10/2010	Nam et al.	D15/9
D648,750 S *	11/2011	Chu	D15/9
D656,161 S *	3/2012	Nam et al.	D15/9

* cited by examiner

Primary Examiner — Ralf Seifert

(74) *Attorney, Agent, or Firm* — Ladas & Parry LLP

(57) **CLAIM**

We claim the ornamental design for a compressor cover for automobiles, as shown.

DESCRIPTION

FIG. 1 is a top, front, and left-side perspective view of a compressor cover for automobiles showing our new design; FIG. 2 is a front elevational view thereof; FIG. 3 is a rear elevational view thereof; FIG. 4 is a left-side elevational view thereof; FIG. 5 is a right-side elevational view thereof; FIG. 6 is a top plan view thereof; FIG. 7 is a bottom plan view thereof; and, FIG. 8 is a bottom, rear, right-side perspective view thereof. The broken lines in FIG. 2 are included for the purpose of illustrating portions of the compressor cover for automobiles that form no part of the claimed design.

1 Claim, 8 Drawing Sheets

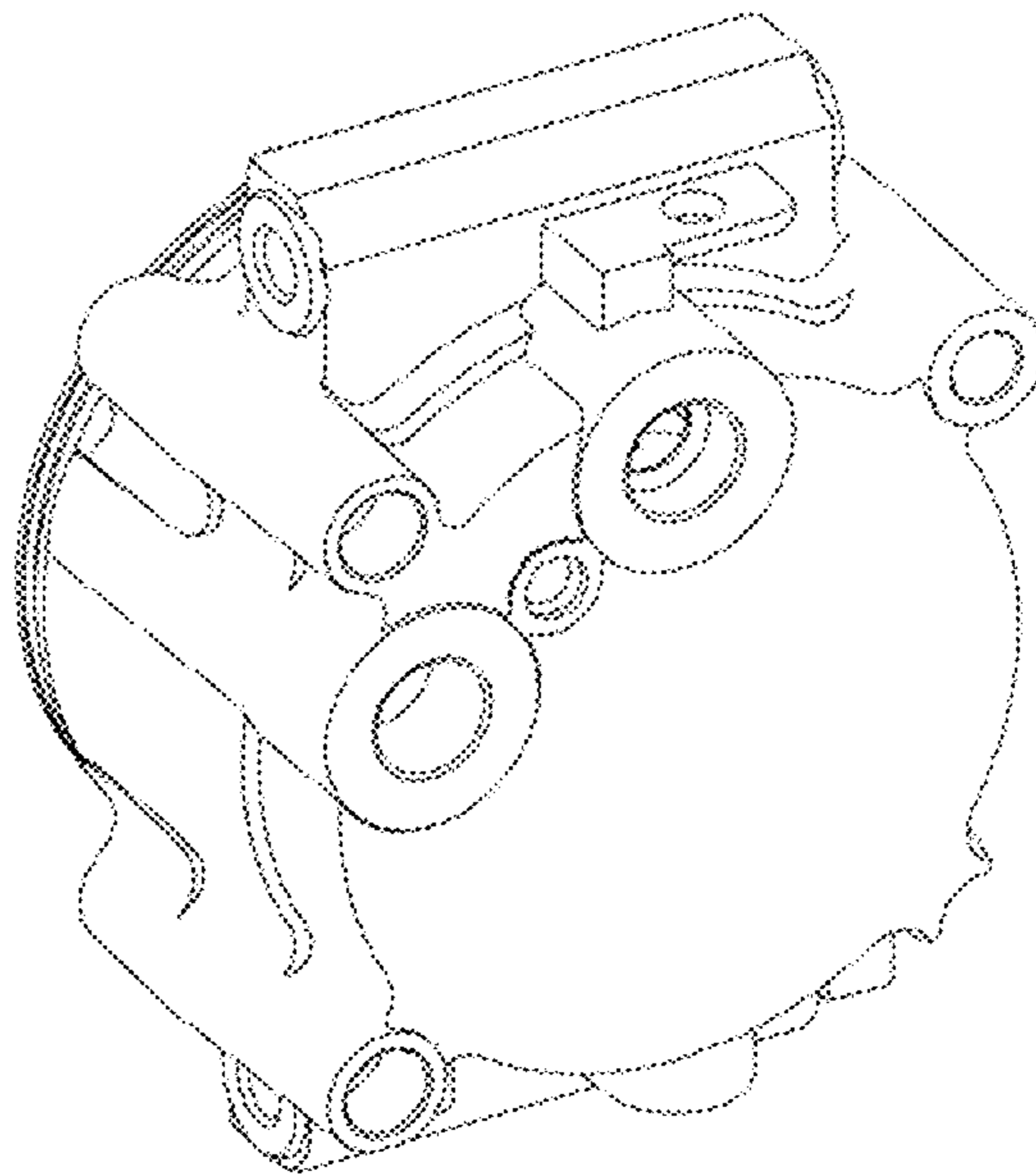
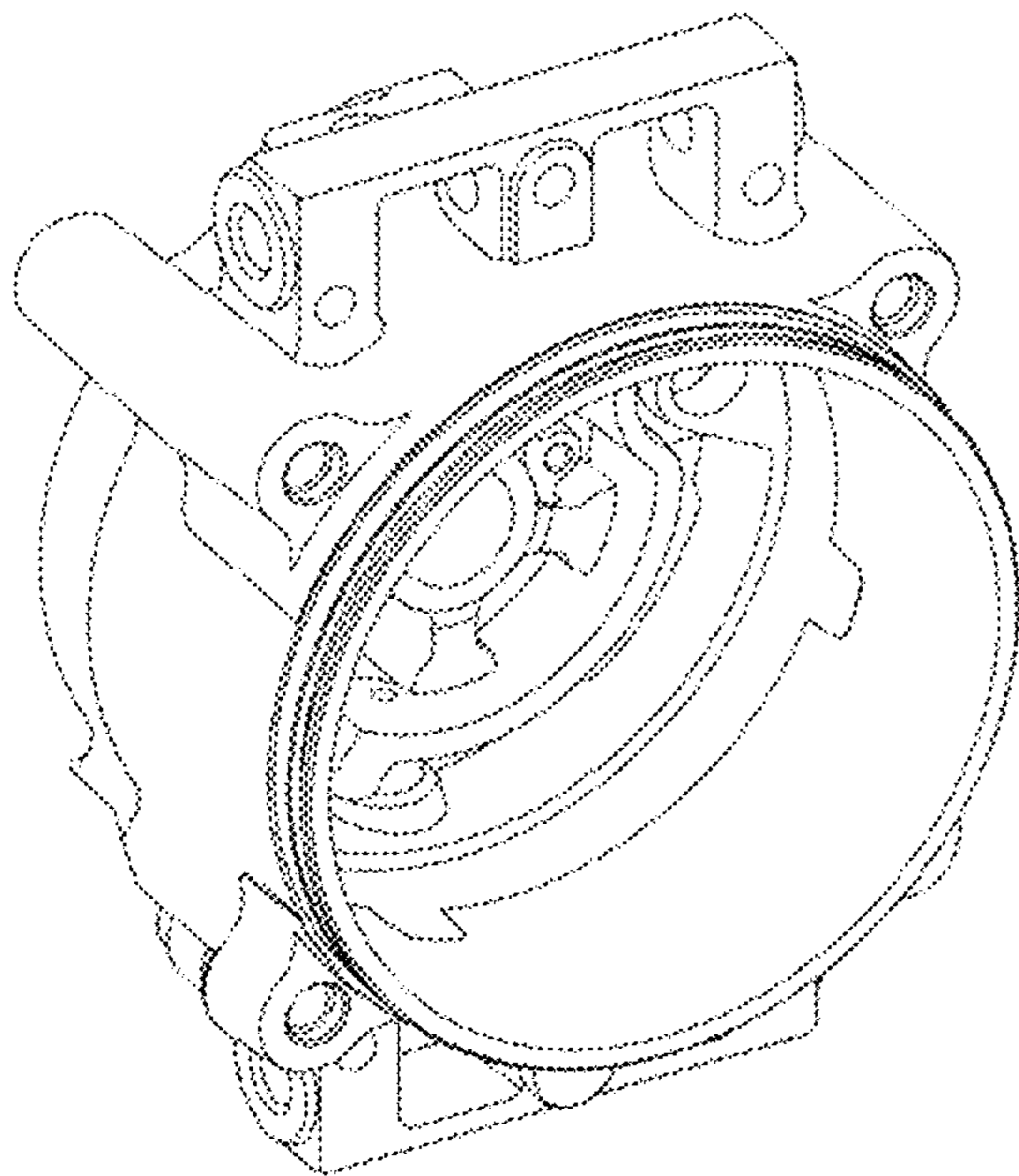


FIG. 1

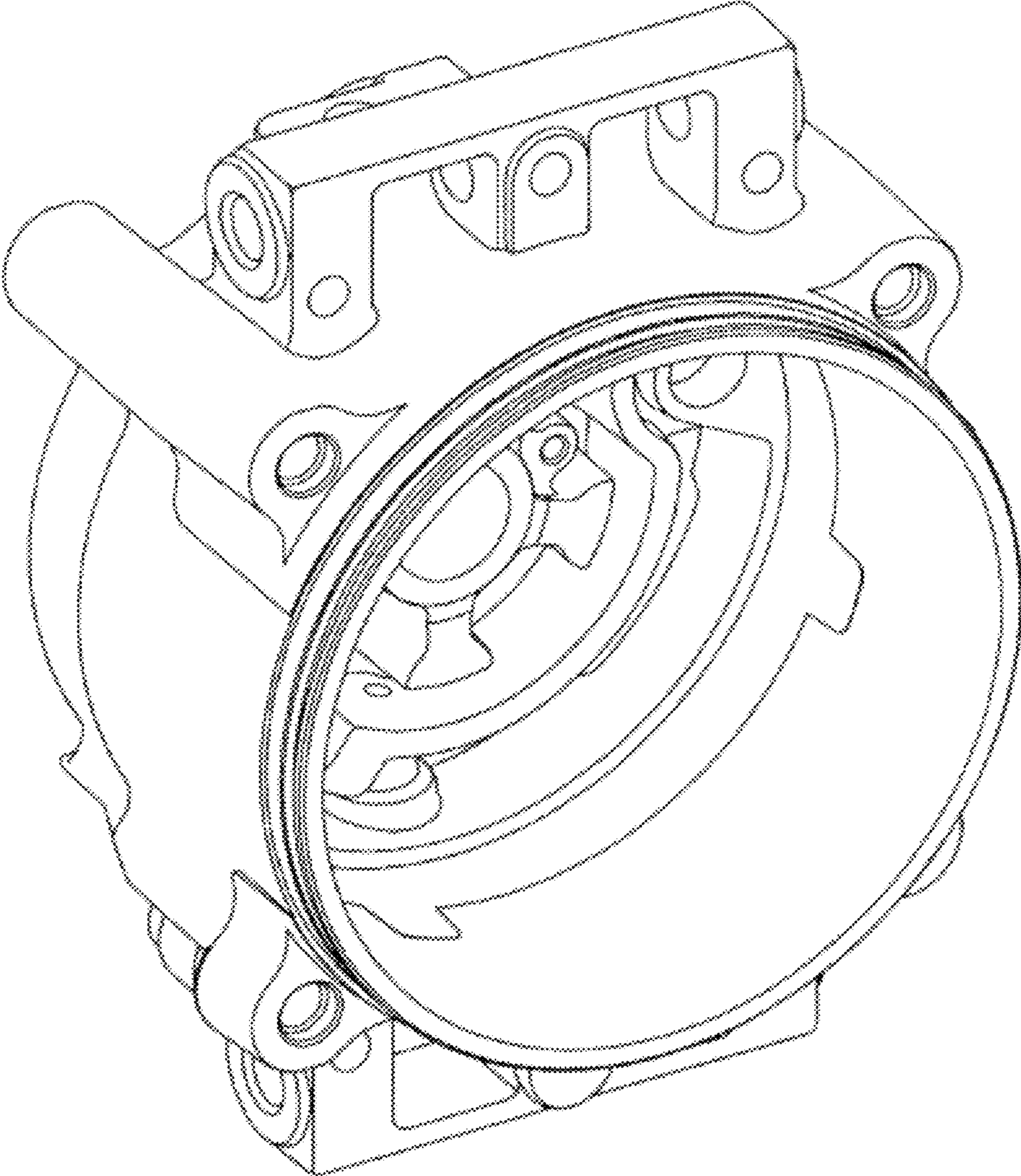


FIG. 2

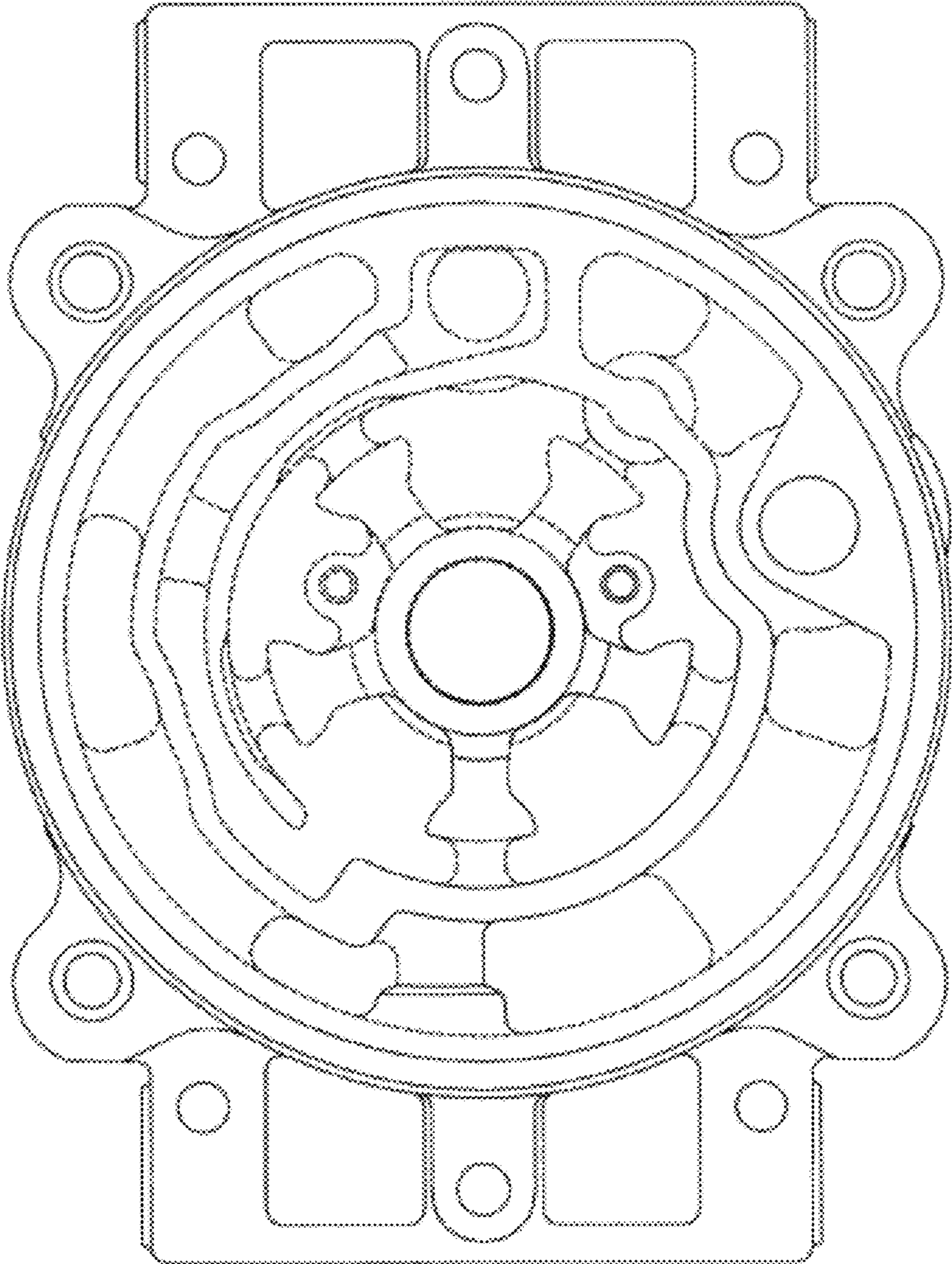


FIG. 3

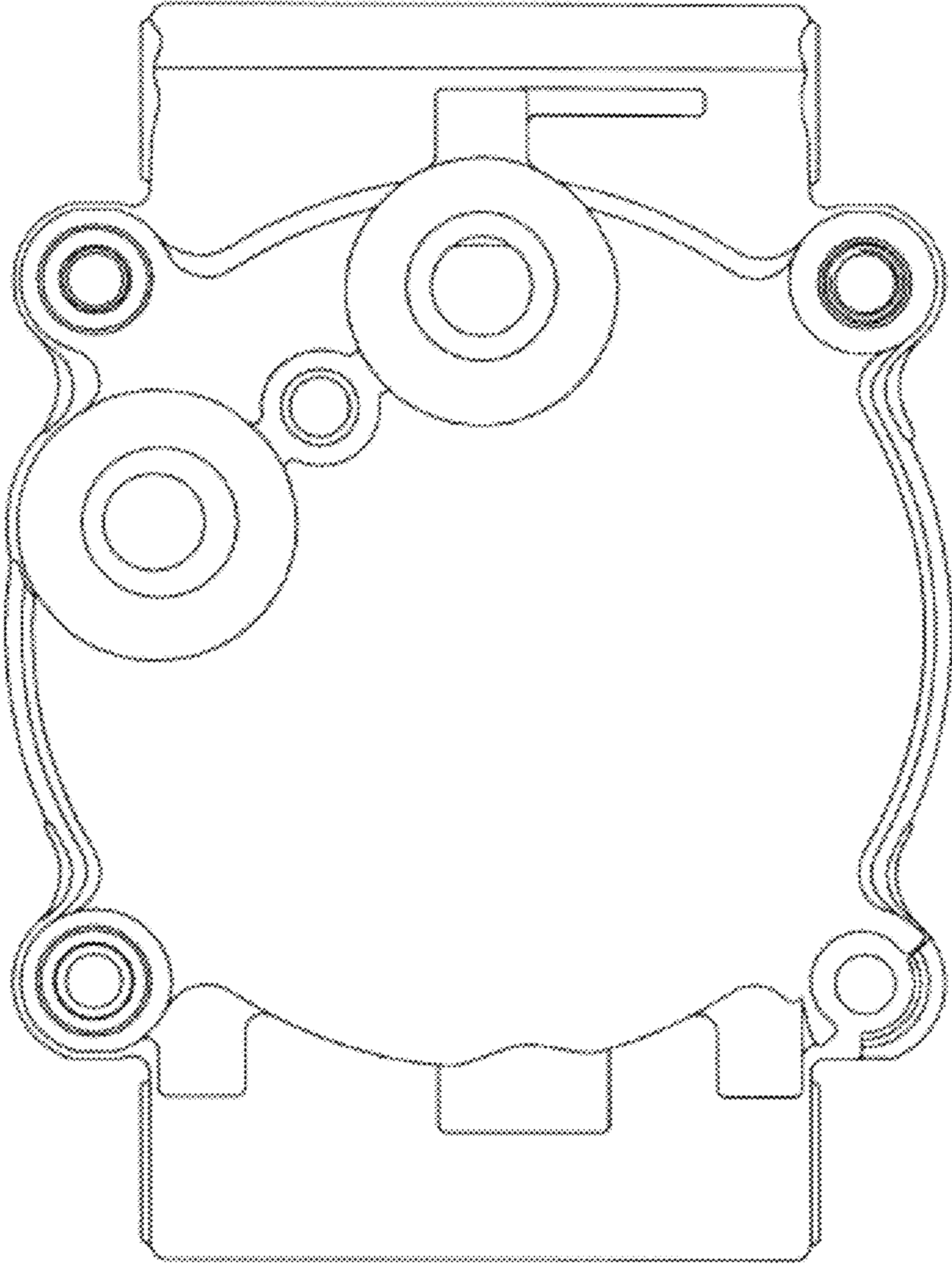


FIG. 4

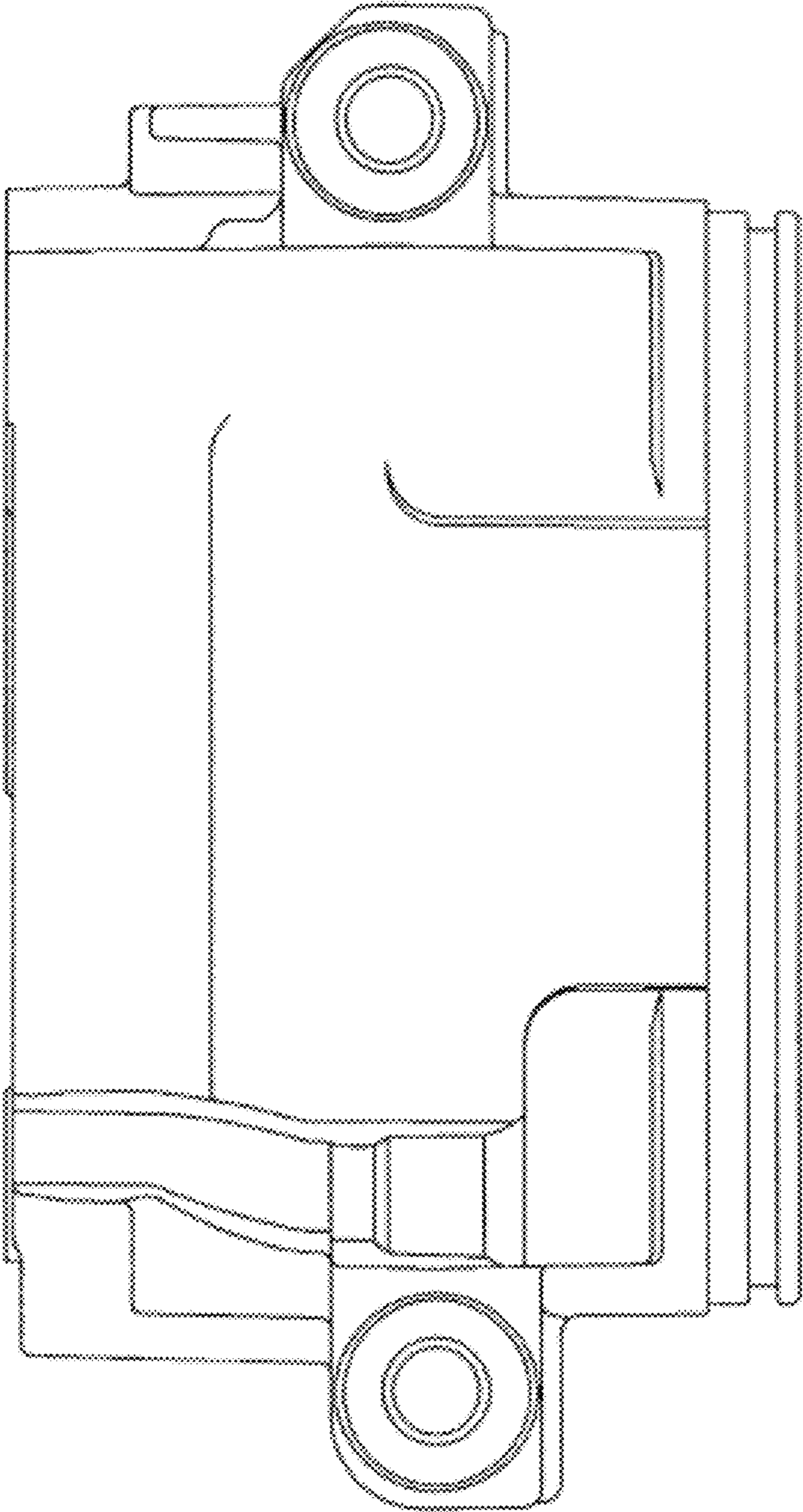


FIG. 5

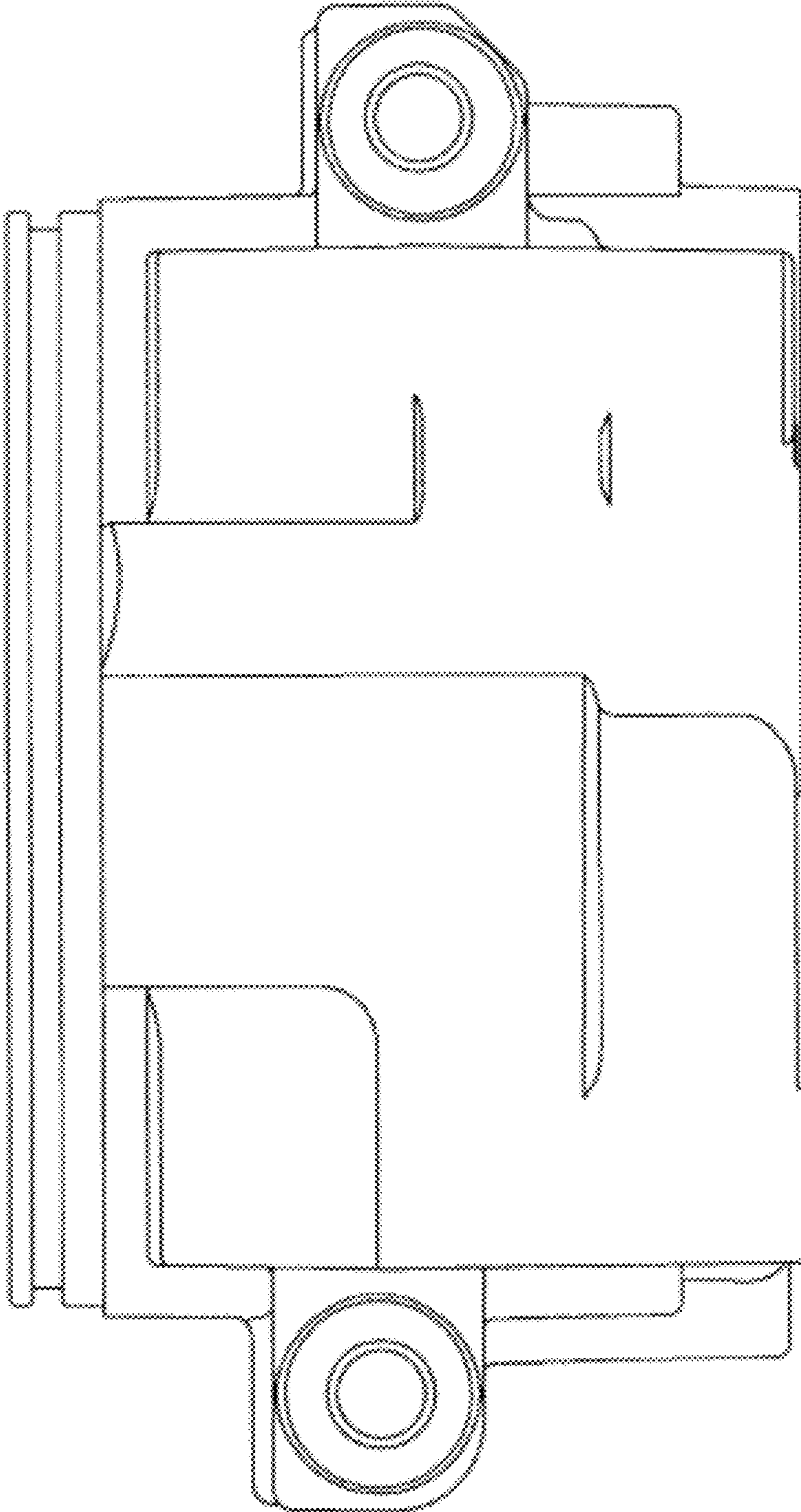


FIG. 6

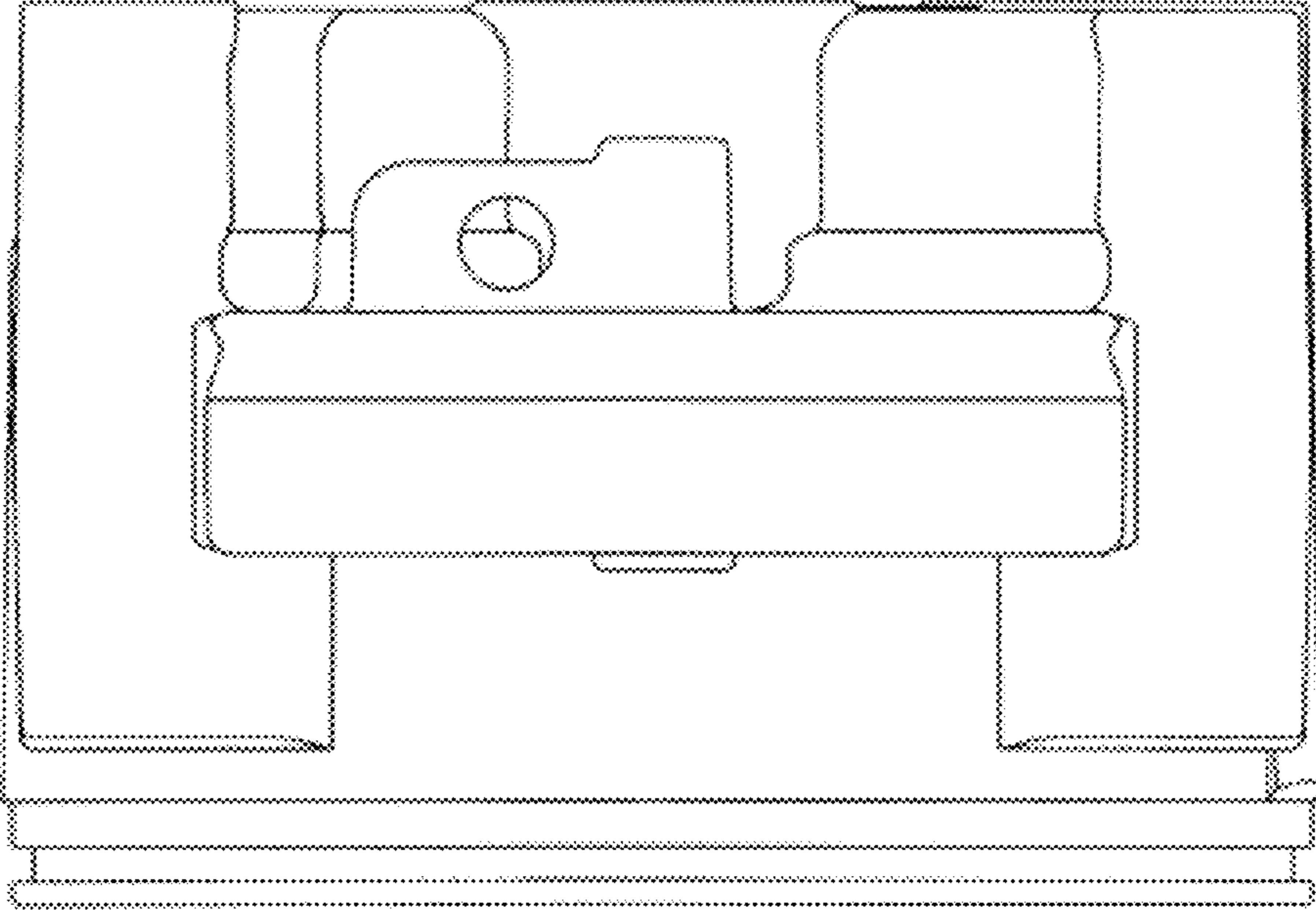


FIG. 7

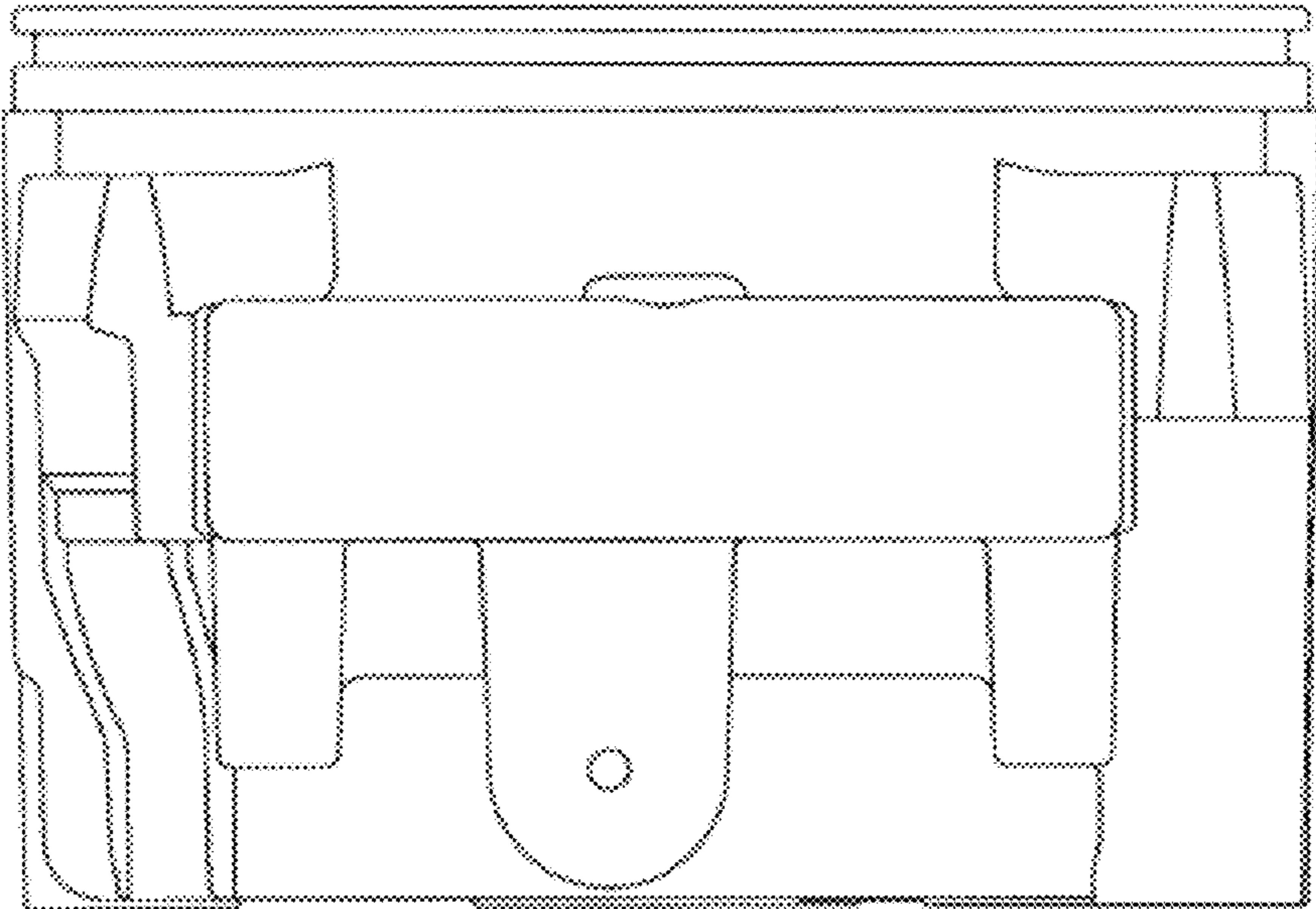


FIG. 8

