



US00D673178S

(12) **United States Design Patent**  
**Tatic**

(10) **Patent No.:** **US D673,178 S**

(45) **Date of Patent:** **\*\* Dec. 25, 2012**

(54) **WATER PUMP FOR A POND**

(75) Inventor: **Aleks Tatic**, Ulm (DE)

(73) Assignee: **OASE GmbH**, Hörstel-Riesenbeck (DE)

(\*\*) Term: **14 Years**

(21) Appl. No.: **29/404,620**

(22) Filed: **Oct. 24, 2011**

(30) **Foreign Application Priority Data**

Apr. 26, 2011 (EM) ..... 001272538-0001

Apr. 26, 2011 (EM) ..... 001272538-0002

(51) **LOC (9) Cl.** ..... **15-02**

(52) **U.S. Cl.** ..... **D15/8**

(58) **Field of Classification Search** ..... D15/7-9;  
D23/231, 232, 225; 417/60, 235, 265, 321,  
417/355, 358, 363, 359, 410.1, 415-416,  
417/405, 900; 60/408, 412; 184/26-37;  
415/140-147; 123/495, 509

See application file for complete search history.

(56) **References Cited**

U.S. PATENT DOCUMENTS

D209,639 S \* 12/1967 Gare ..... D15/8

D441,376 S \* 5/2001 Gohil et al. .... D15/7

D558,234 S \* 12/2007 Dickertmann ..... D15/7

D558,235 S \* 12/2007 Dickertmann ..... D15/7

D562,349 S \* 2/2008 Bulter ..... D15/9

D595,741 S \* 7/2009 Dickertmann ..... D15/7

D634,336 S \* 3/2011 Tunze et al. .... D15/8

\* cited by examiner

*Primary Examiner* — Ralf Seifert

(74) *Attorney, Agent, or Firm* — Gudrun E. Hockett

(57) **CLAIM**

The ornamental design for a water pump for a pond, as shown and described.

**DESCRIPTION**

FIG. 1 is a perspective top and front view of my water pump for a pond;

FIG. 2 is a top plan view of my water pump for a pond;

FIG. 3 is a bottom plan view of my water pump for a pond;

FIG. 4 is a front view of my water pump for a pond;

FIG. 5 is a rear view of my water pump for a pond;

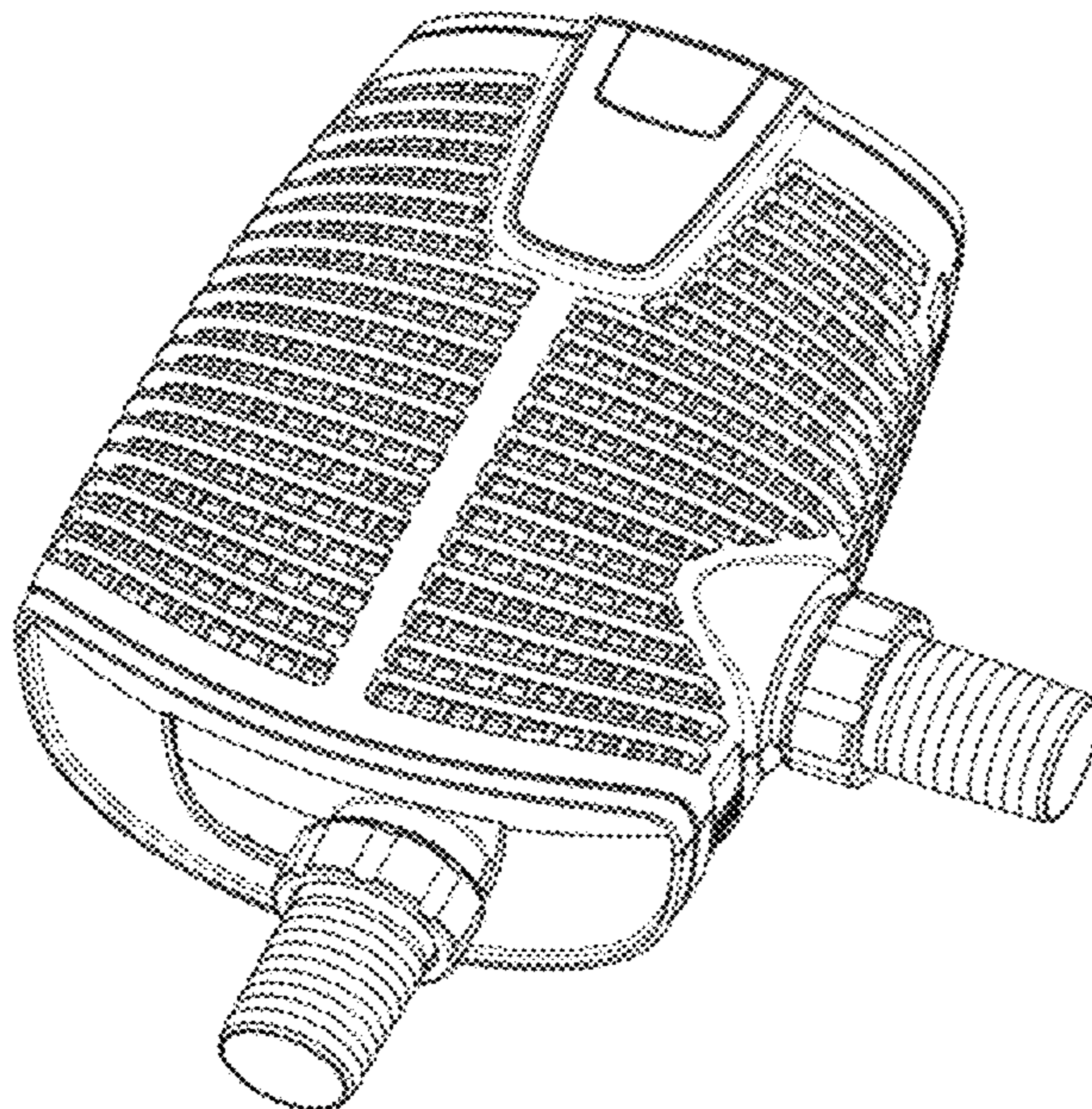
FIG. 6 is a side view of the left side my water pump for a pond; and,

FIG. 7 is a side view of the right side of my water pump for a pond.

The top views FIGS. 1 and 2 show elongate recesses with multiple openings through which parts arranged in the interior of my Water Pump for a Pond can be seen; the parts in the interior are disclaimed. The side views FIGS. 6 and 7 show vertical elongate openings at the lower end; through the vertical elongate openings parts arranged in the interior of my Water Pump for a Pond can be seen; the parts of the interior are disclaimed. Due to the viewing angle, the end views FIGS. 4 and 5 show the contour lines of the ribs arranged between the recesses at the top side and left and right sides merging into each other; likewise, the end views FIGS. 4 and 5 also show the contour lines of the vertical elongate openings to merge because of the viewing angle.

The broken lines in FIGS. 1 to 7 are included for the purpose of illustrating portions of the water pump for a pond that form no part of the claimed design.

**1 Claim, 7 Drawing Sheets**



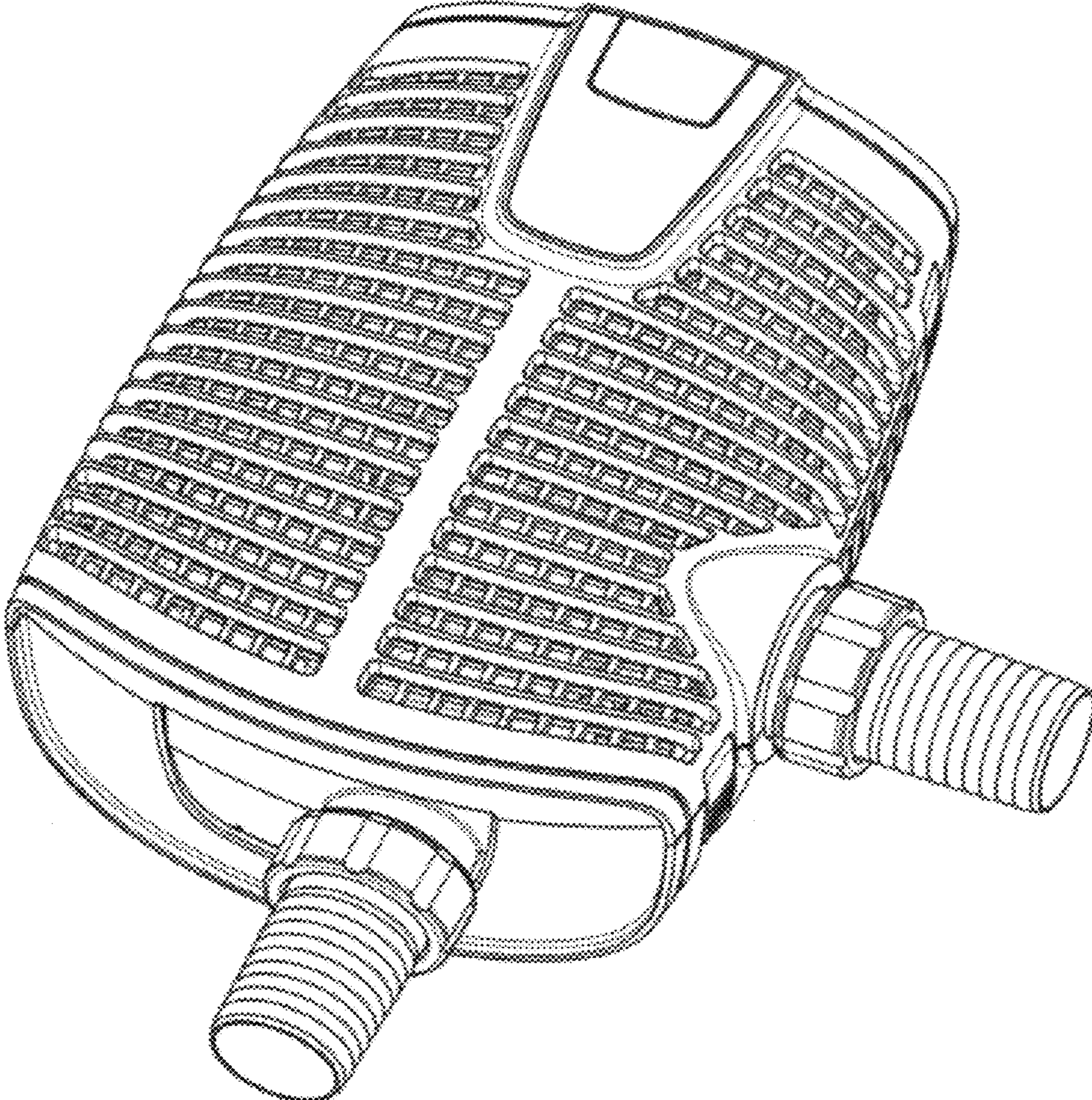


Fig. 1

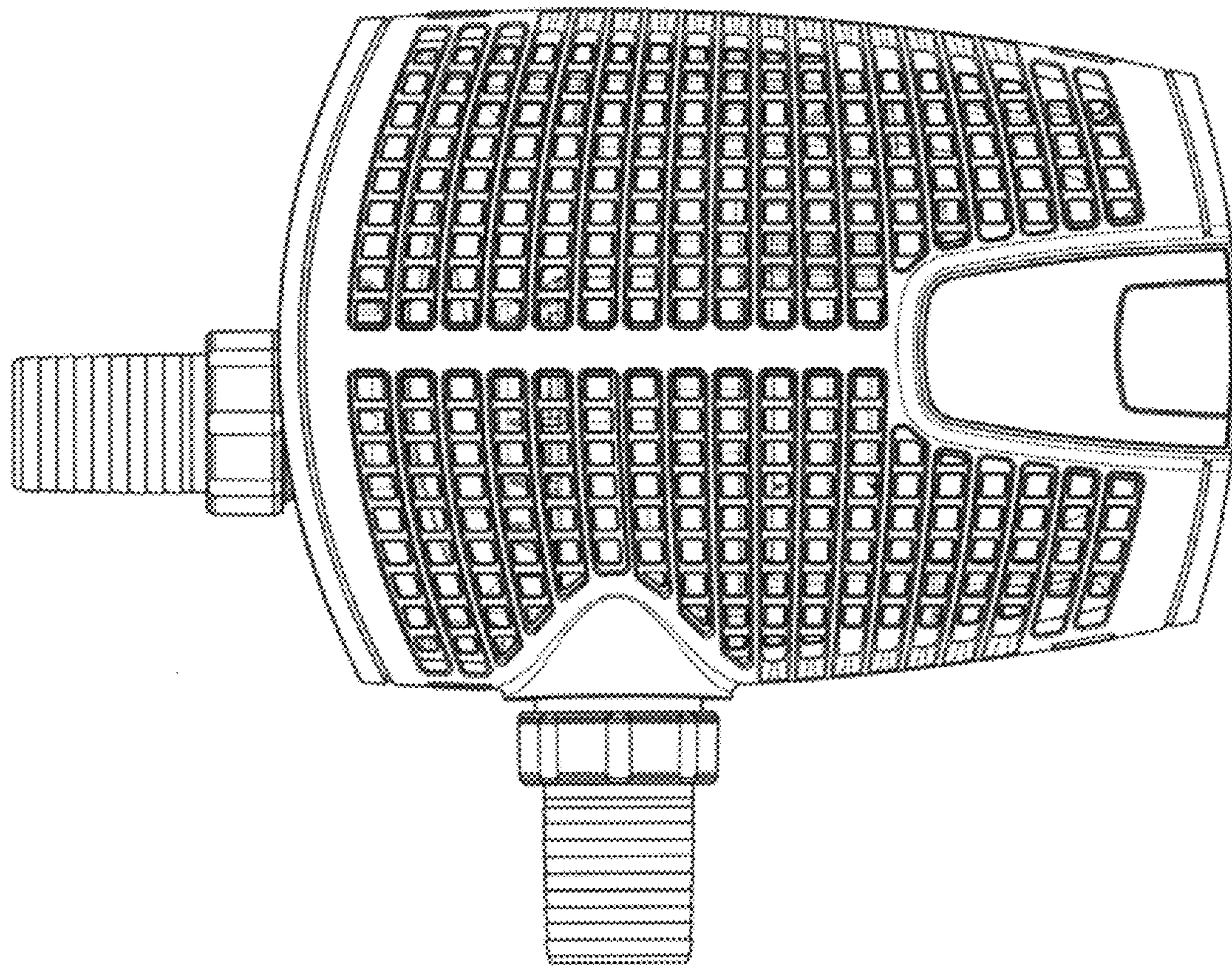


Fig. 2

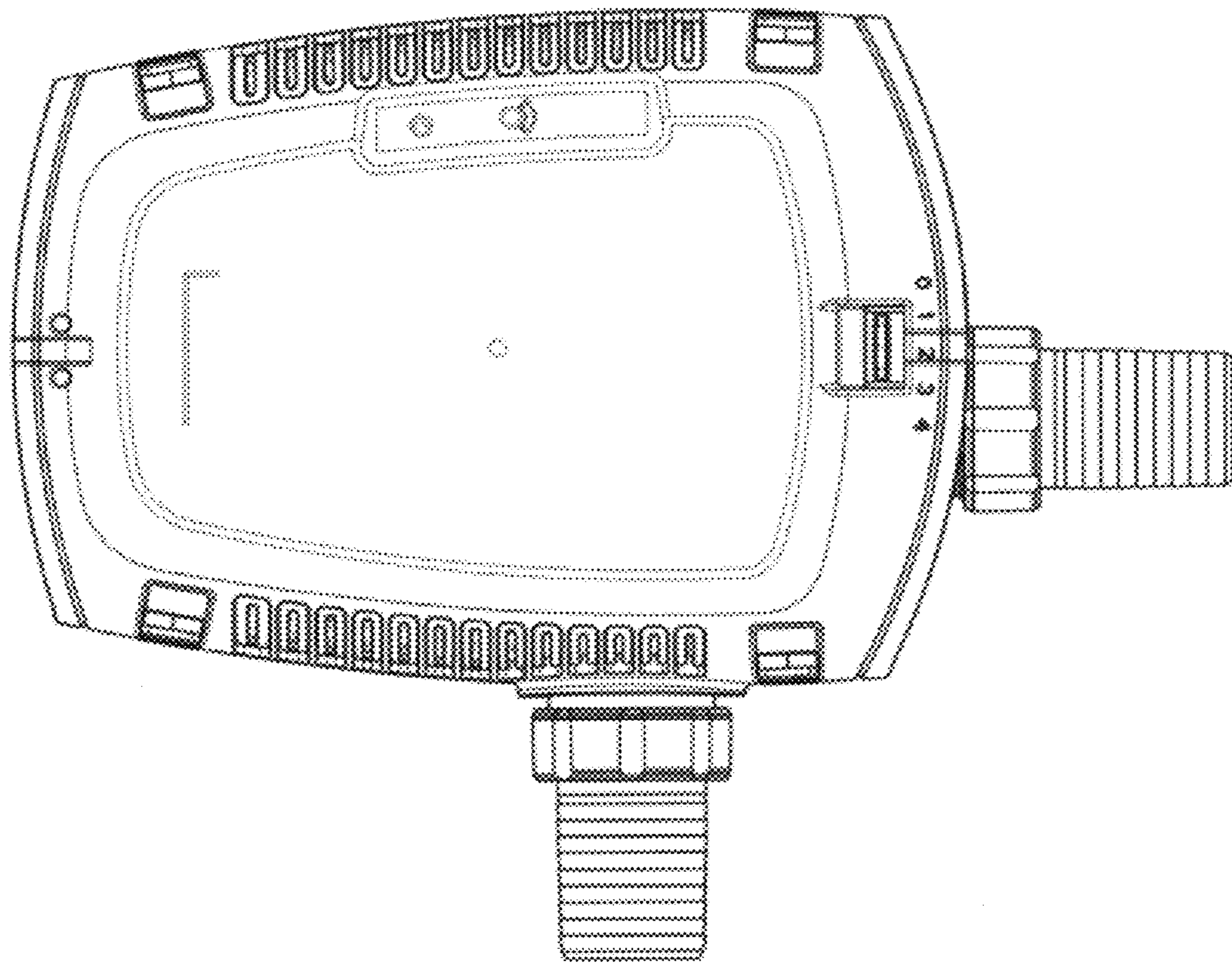


Fig. 3

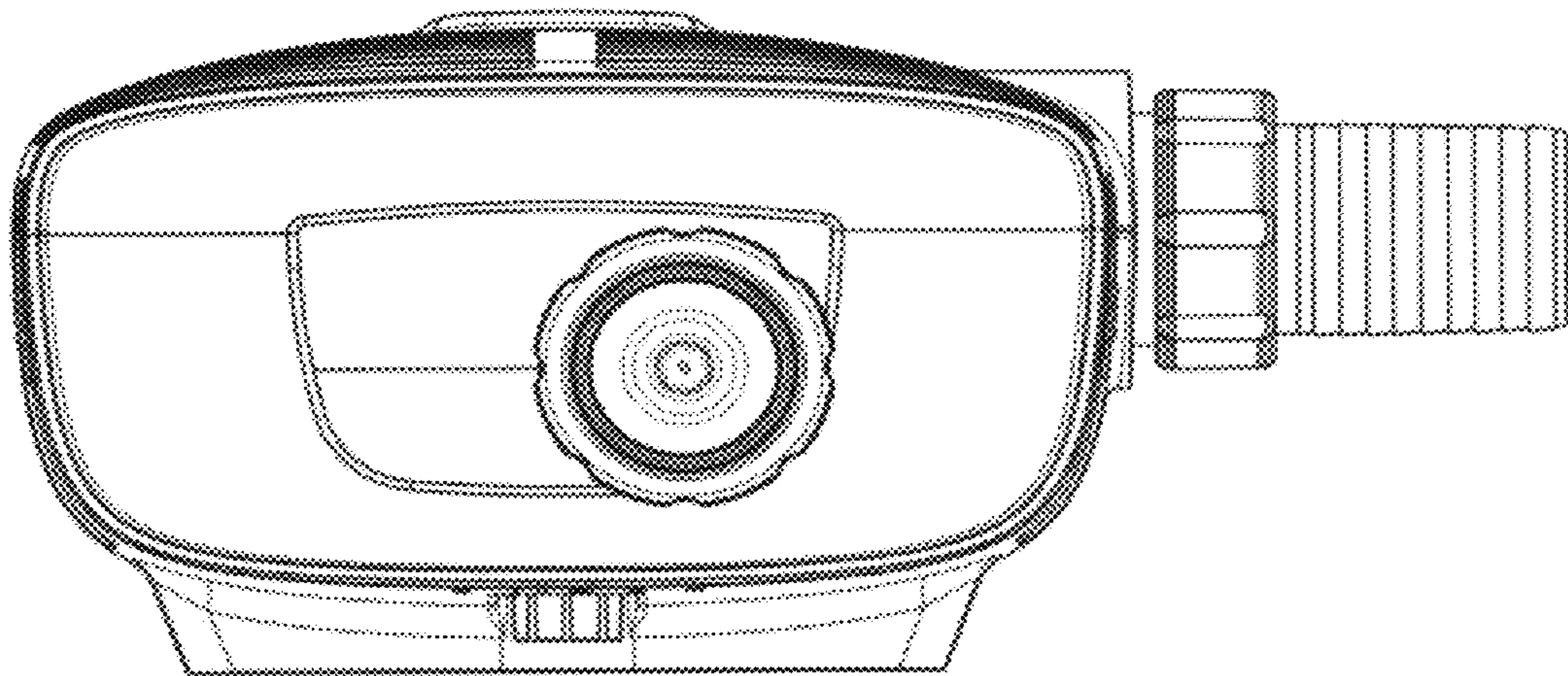


Fig. 4

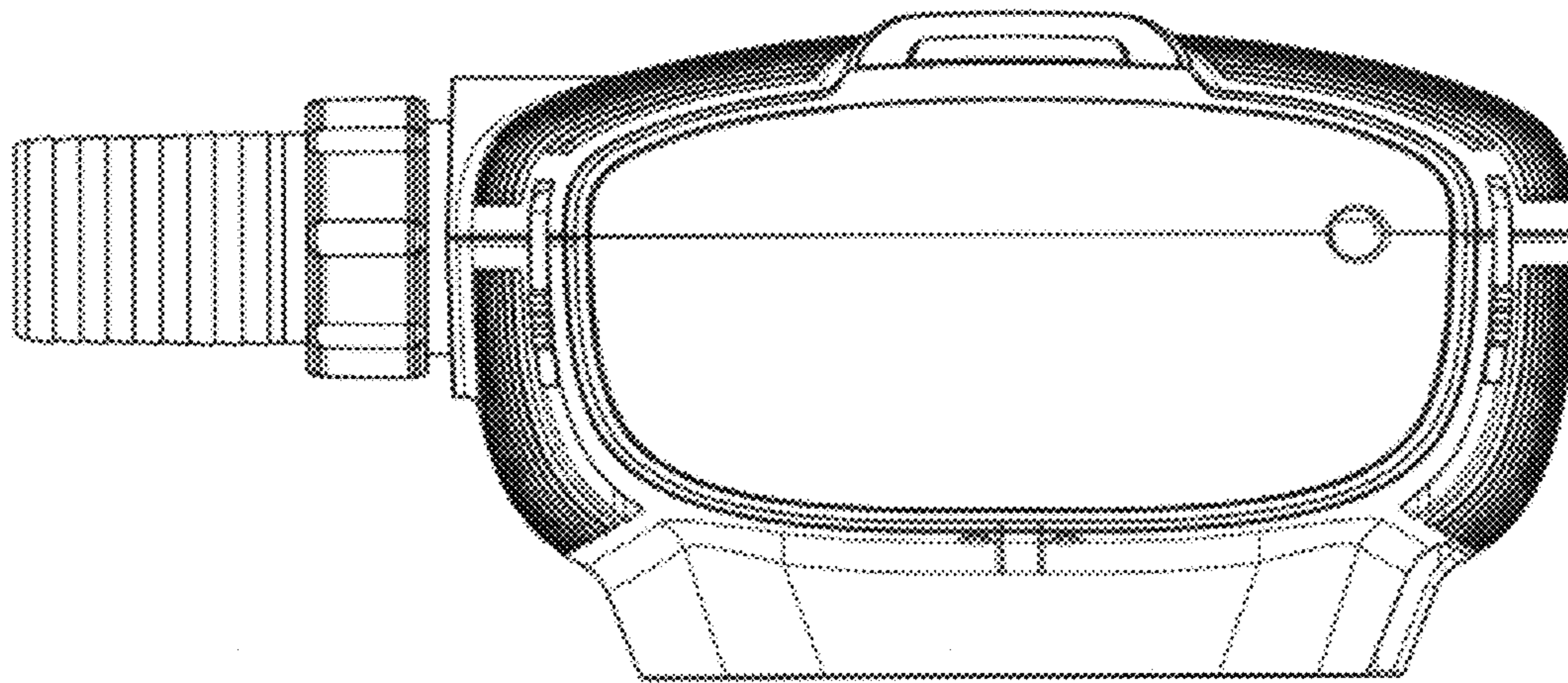


Fig. 5

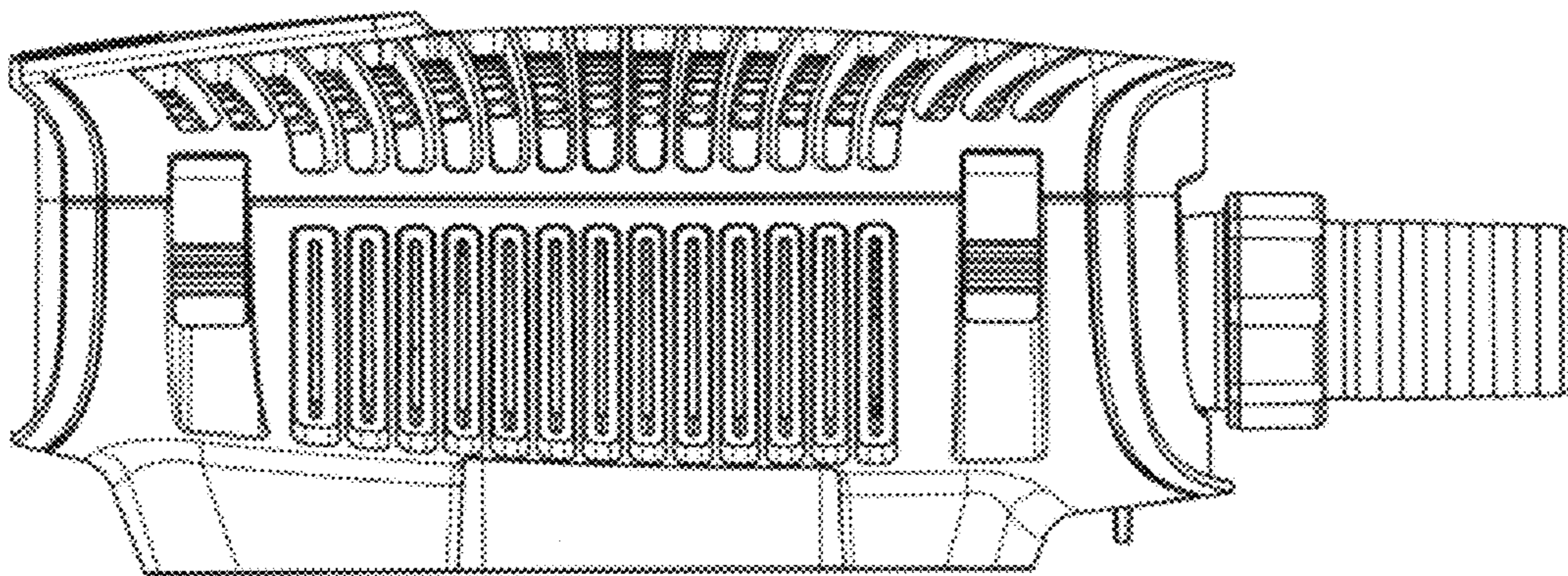


Fig. 6

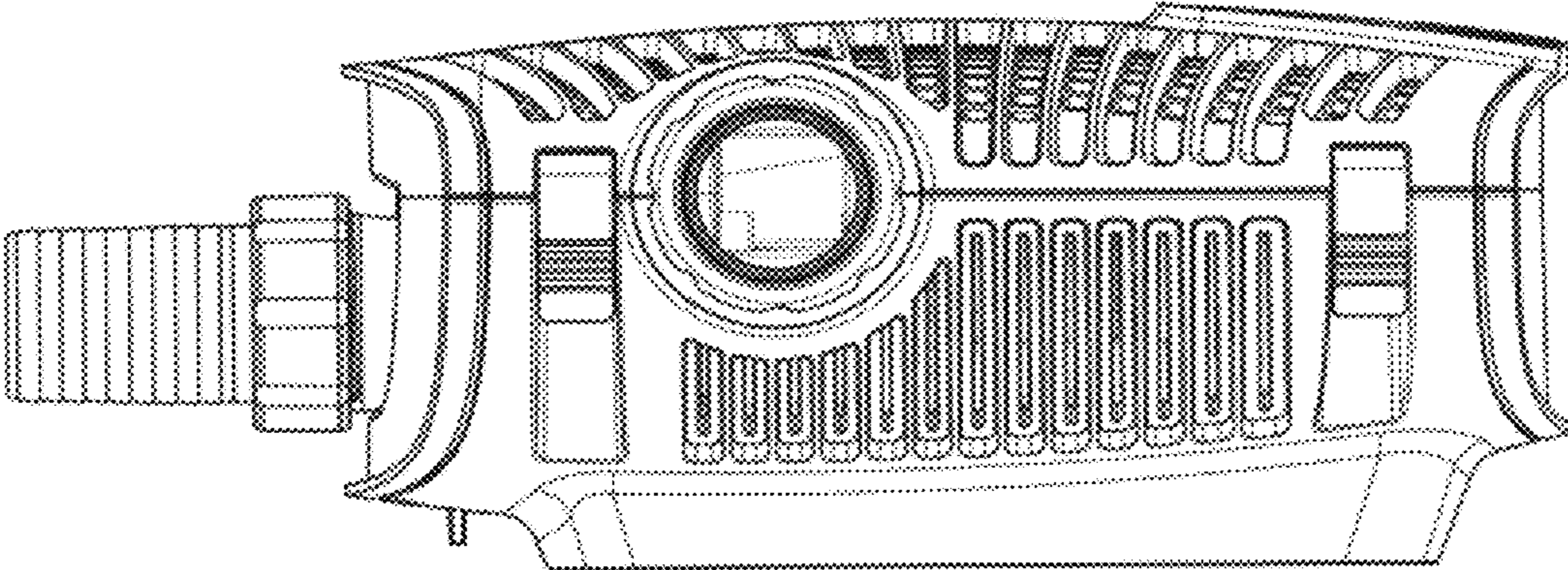


Fig. 7