

US00D673164S

(12) **United States Design Patent**  
**Lin et al.**

(10) **Patent No.:** **US D673,164 S**  
(45) **Date of Patent:** **\*\* Dec. 25, 2012**

(54) **DATA ACCESSING DEVICE**

(75) Inventors: **Feng-Sheng Lin**, Hsinchu (TW);  
**Hsi-Ming Tsai**, Hsinchu (TW); **Peter**  
**Leekuo Chou**, Fountain Valley, CA (US)

(73) Assignee: **Kingston Digital, Inc.**, Fountain Valley,  
CA (US)

(\*\*) Term: **14 Years**

(21) Appl. No.: **29/402,359**

(22) Filed: **Sep. 22, 2011**

(51) **LOC (9) Cl.** ..... **14-02**

(52) **U.S. Cl.** ..... **D14/480.5**

(58) **Field of Classification Search** ..... D14/411,  
D14/433, 435, 435.1, 436-438, 480.1-480.7,  
D14/484.1, 137, 155, 203.1-203.8, 240;  
D13/133, 146-147, 154; 710/300, 301; 439/131,  
439/135-147; 361/679.31, 679.33, 679.4,  
361/752; 711/100, 115

See application file for complete search history.

(56) **References Cited**

**U.S. PATENT DOCUMENTS**

D450,303 S *	11/2001	Milan	.....	D13/154
6,561,421 B1 *	5/2003	Yu	.....	235/451
D521,509 S *	5/2006	Chen	.....	D14/480.5
D543,202 S *	5/2007	Siu	.....	D14/480.5
D548,233 S *	8/2007	Loftus	.....	D14/480.5
7,296,098 B2 *	11/2007	Shih	.....	710/13
D588,547 S *	3/2009	Lee et al.	.....	D13/154
D602,441 S *	10/2009	Wu et al.	.....	D13/147
D624,923 S *	10/2010	Lu	.....	D14/480.5
D648,730 S *	11/2011	Huang	.....	D14/480.5
D661,680 S *	6/2012	Wei et al.	.....	D14/155
2005/0247796 A1 *	11/2005	Chen	.....	235/492

**OTHER PUBLICATIONS**

USB 2.0 SD/MMC Card Reader Manufacturer, [online], [retrieved on Jan. 8, 2007]. Retrieved from the Internet <URL: <http://www.globalsources.com/gsol/I/Memory-card/p/bg/1002042402.htm>>.\*

SD Key (Secure Data Key), Eric Beare catalogue, p. 29 [online], [retrieved on Oct. 22, 2009]. Retrieved from the Internet <URL: <http://www.ericbeare.com/catalogue.aspx>>.\*

Classic Series C801—Simple, uncomplicated, minimalism, and stylization, [online], [retrieved on May 25, 2010]. Retrieved from the Internet <URL: [http://www.adata.com.tw/en/product\\_show.php?ProductNo=AC81ZZZWH](http://www.adata.com.tw/en/product_show.php?ProductNo=AC81ZZZWH)>.\*

Kingston HyperX 3.0 64GB Flash Drive Review—Kingston HyperX Flash Drives Go USB 3.0—Legit Reviews, [online] posted Dec. 30, 2011 [retrieved on Aug. 6, 2012]. Retrieved from the Internet <URL: <http://www.legitreviews.com/article/1808/1/>>.\*

\* cited by examiner

*Primary Examiner* — Karen E Kearney

(74) *Attorney, Agent, or Firm* — Morris Manning & Martin LLP; Tim Tingkang Xia, Esq.

(57) **CLAIM**

The ornamental design for a data accessing device, as shown and described.

**DESCRIPTION**

FIG. 1 is a perspective view of a data accessing device showing the claimed design;

FIG. 2 is a front elevational view thereof;

FIG. 3 is a rear elevational view thereof;

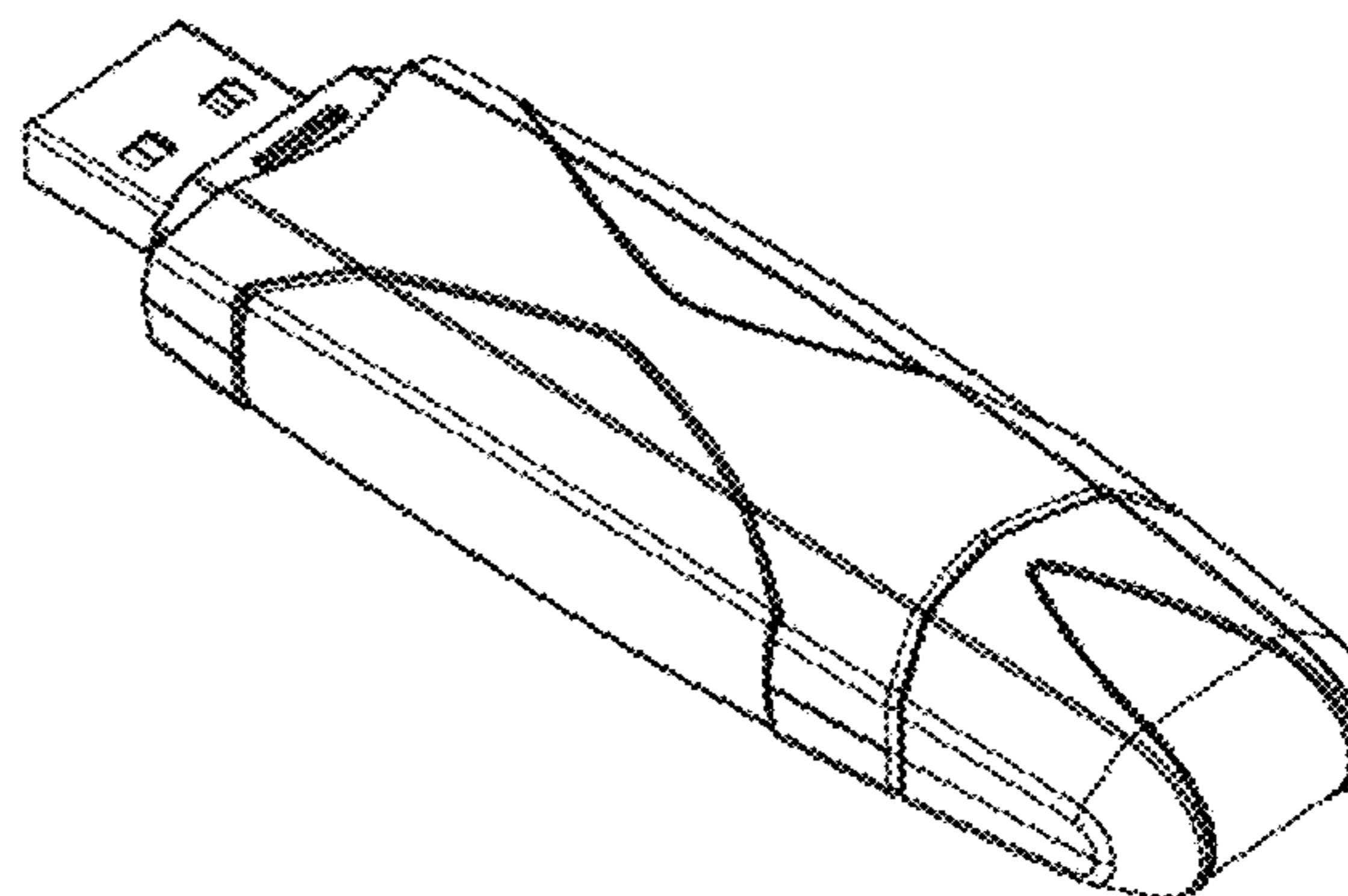
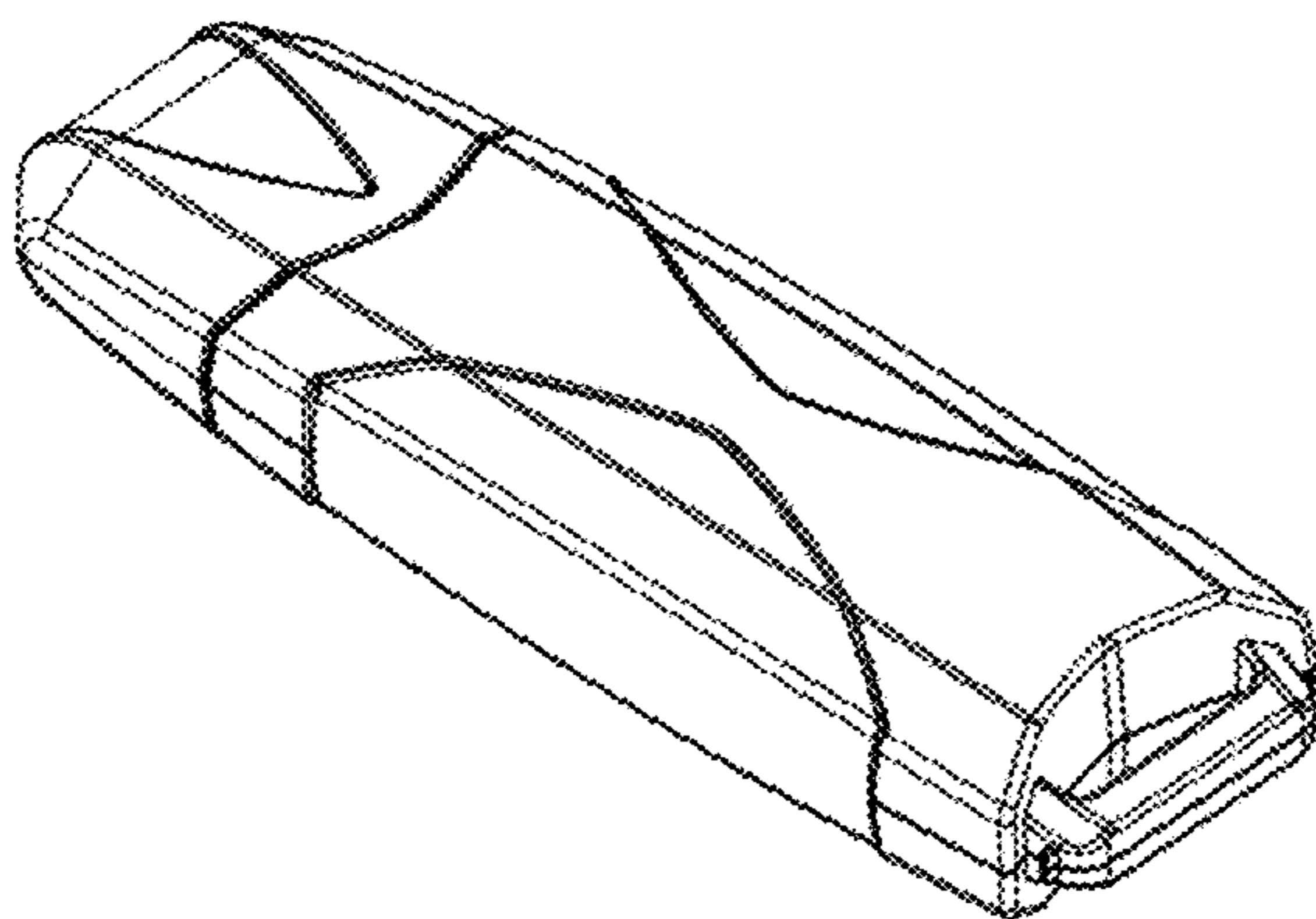
FIG. 4 is a left side elevational view thereof;

FIG. 5 is a right side elevational view thereof;

FIG. 6 is a top plan view thereof; the bottom plan view being a mirror image of the top plan view; and,

FIG. 7 is a perspective view showing the data accessing device in a usage state.

**1 Claim, 4 Drawing Sheets**



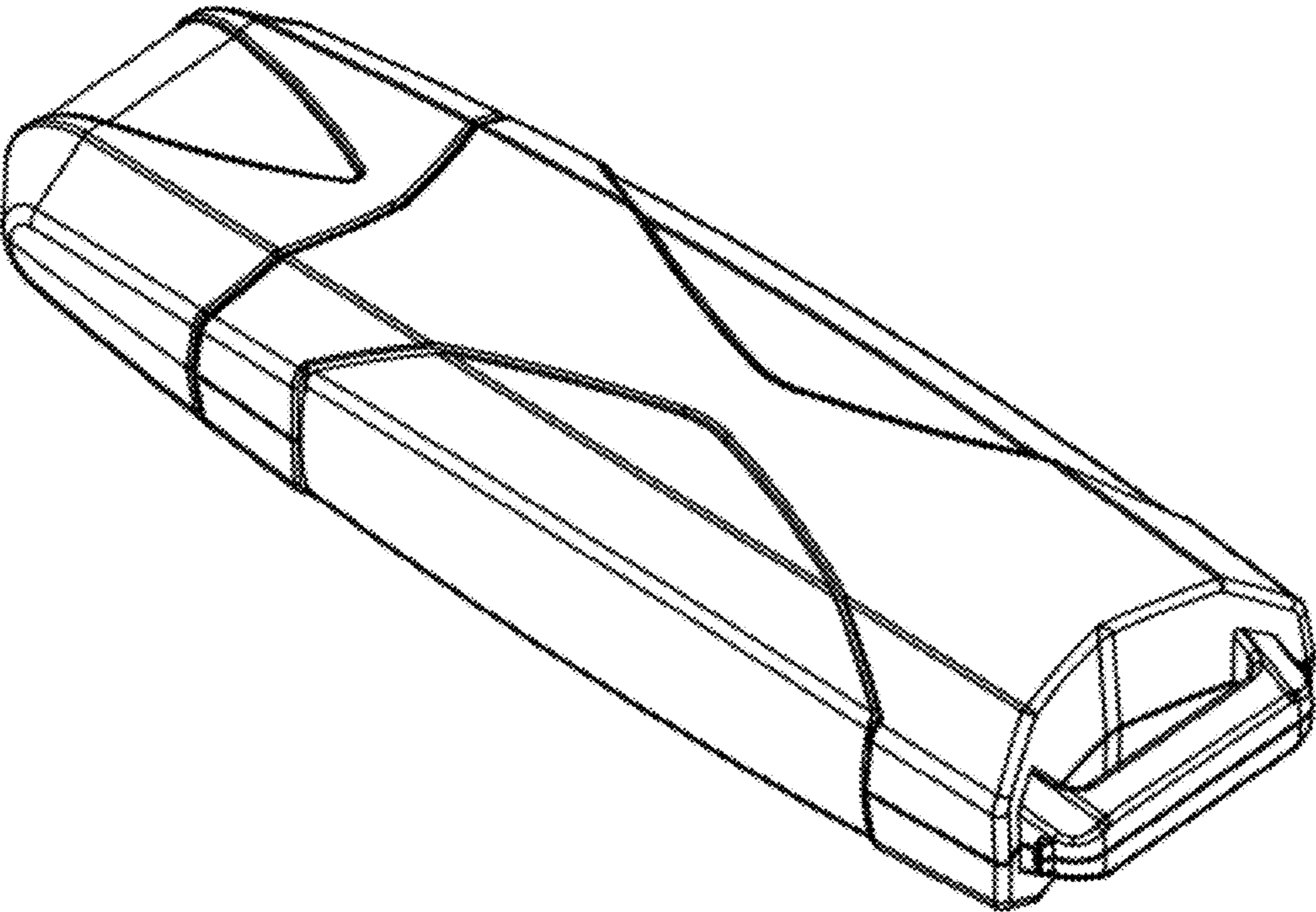


FIG. 1

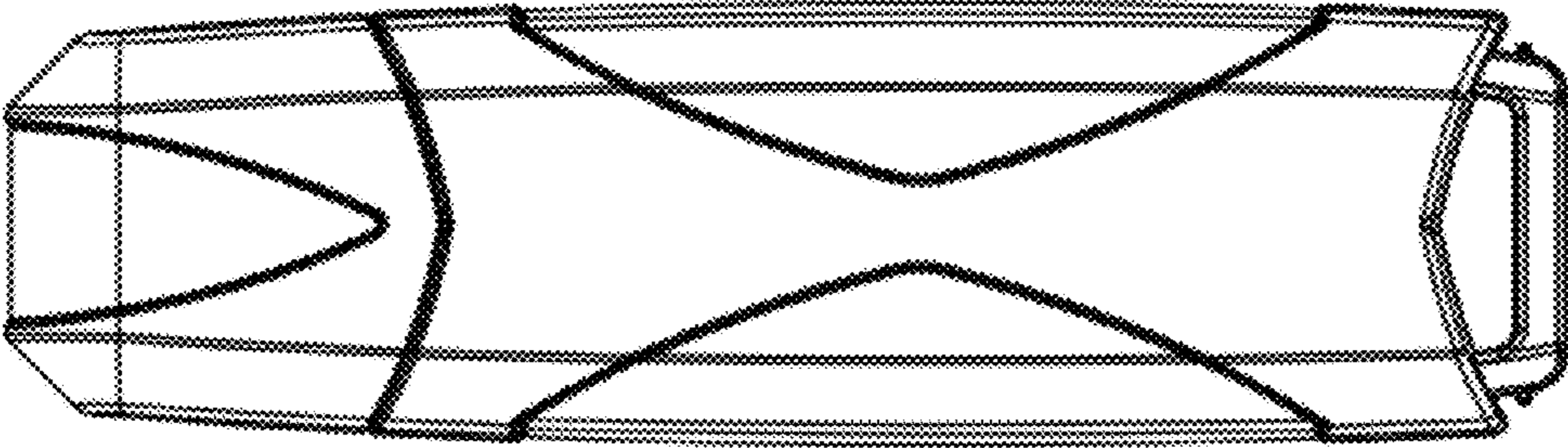


FIG. 2

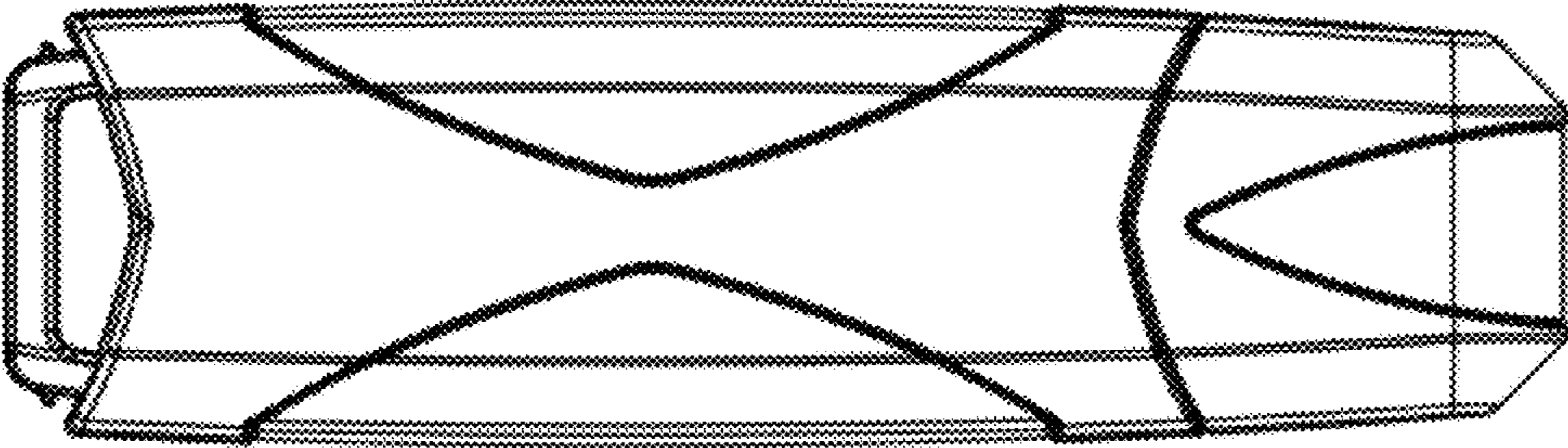


FIG. 3

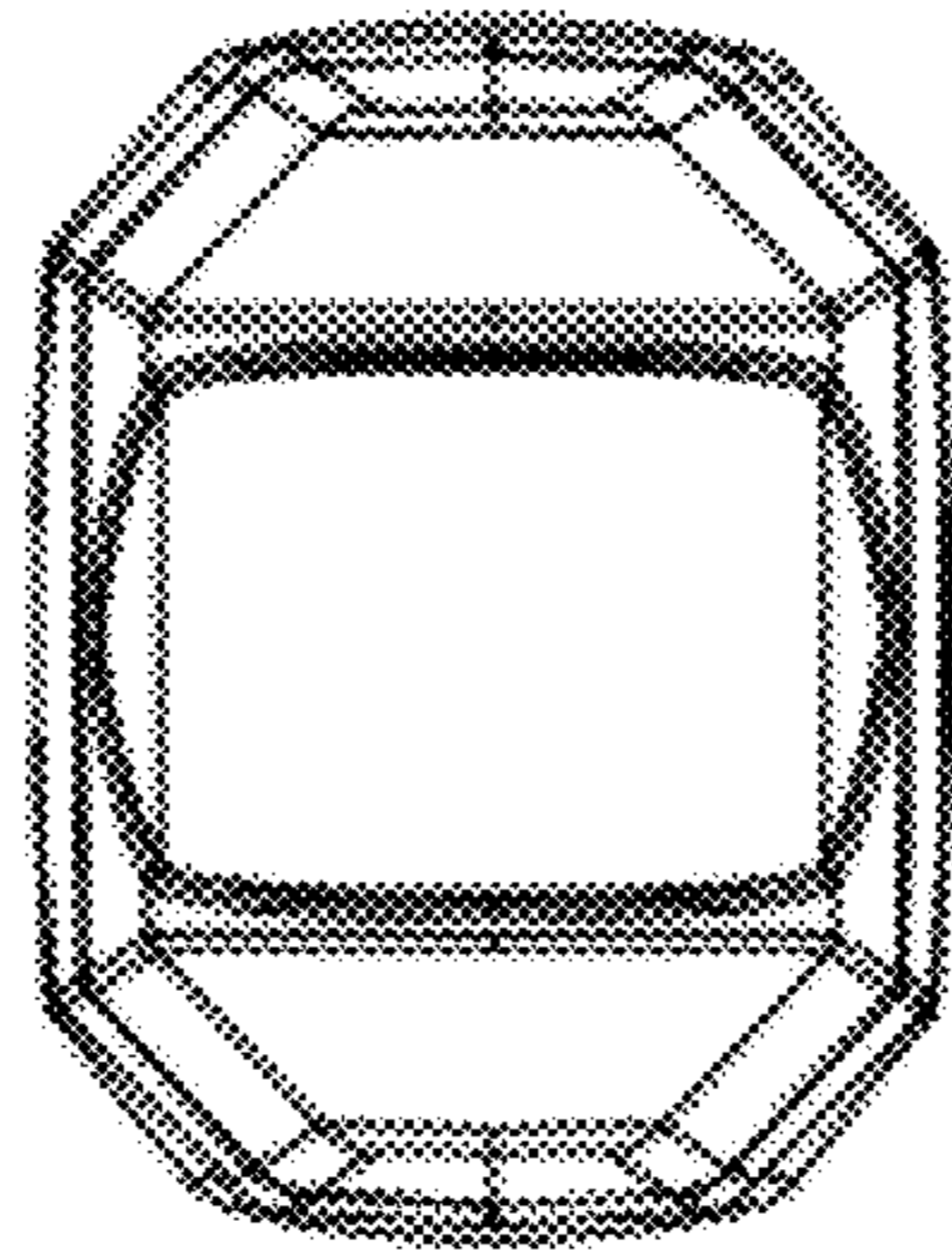


FIG. 4

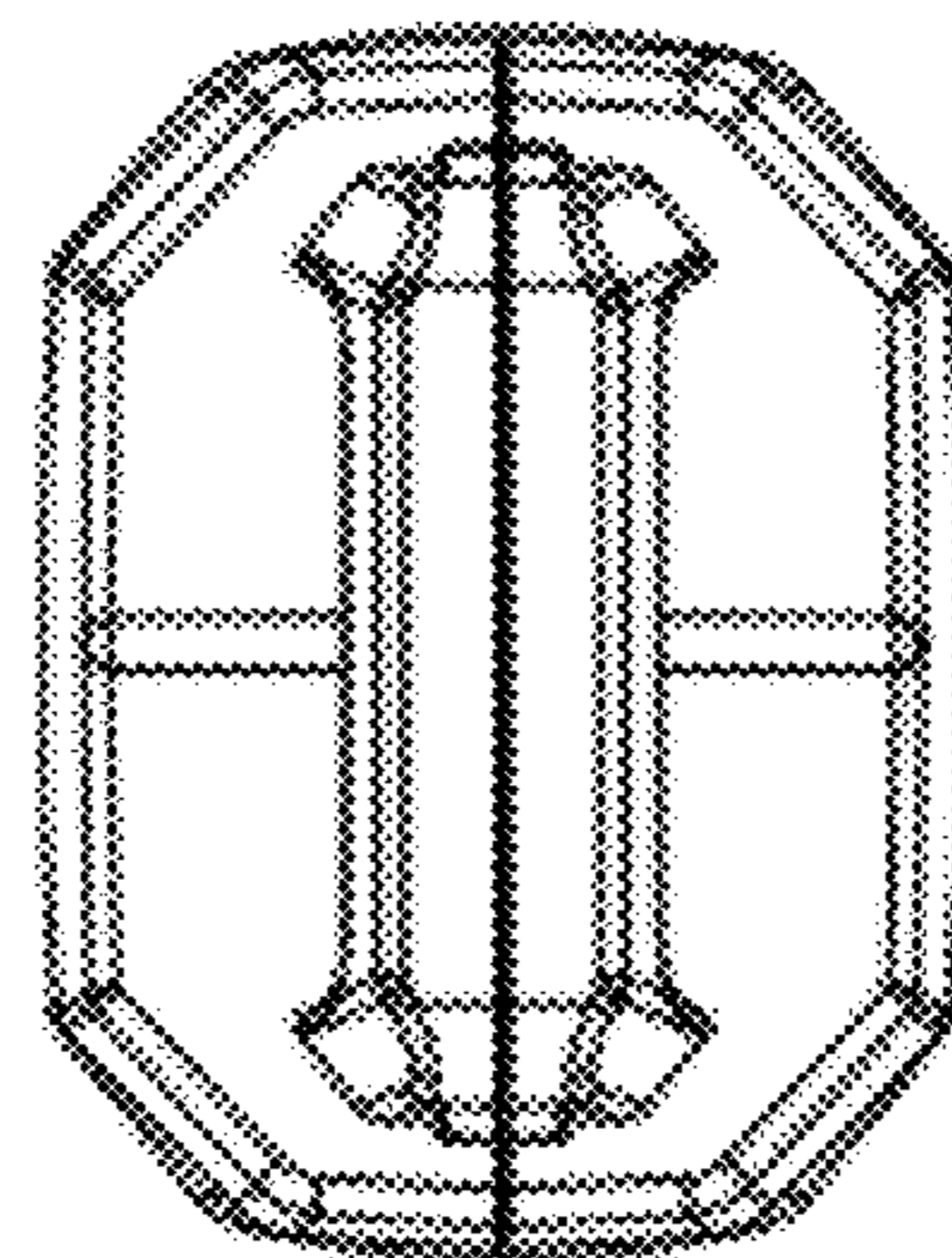


FIG. 5

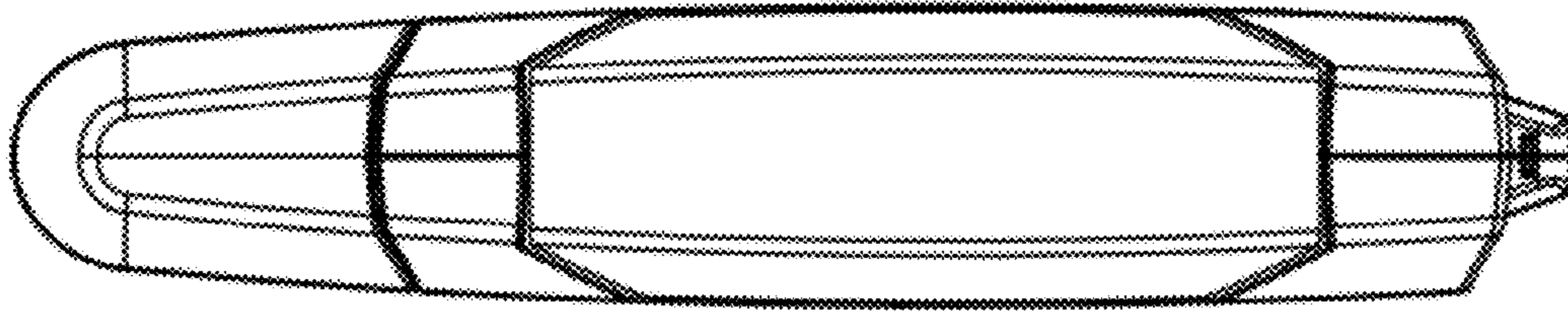


FIG. 6

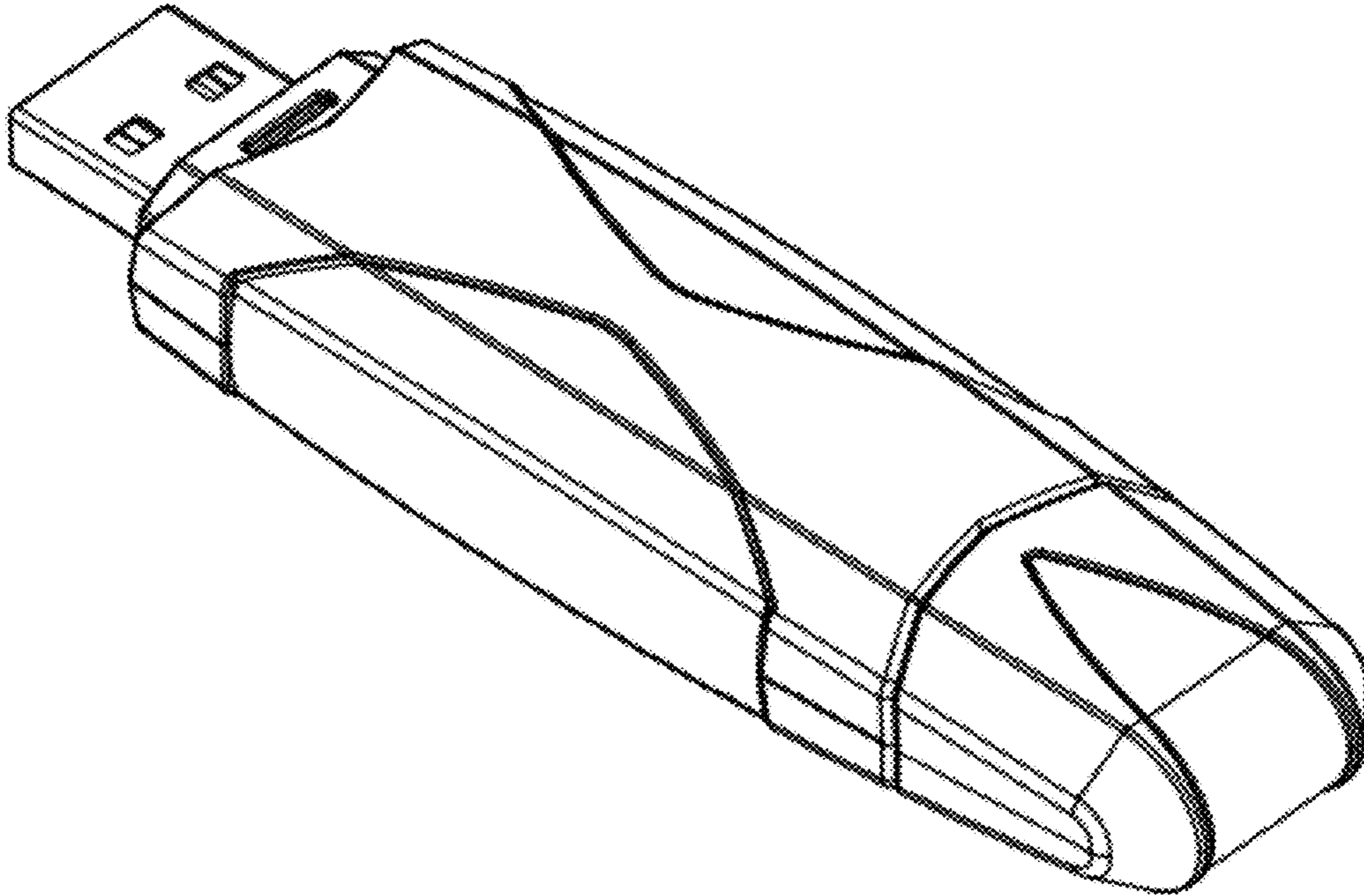


FIG. 7