



US00D673160S

(12) **United States Design Patent**
Kuehn et al.

(10) **Patent No.:** **US D673,160 S**
(45) **Date of Patent:** **** Dec. 25, 2012**

(54) **COVER PLATE FOR A COMPUTING DEVICE**

(75) Inventors: **Keith J. Kuehn**, Magnolia, TX (US);
Brooks James Vaughn, Houston, TX
(US); **Yi-Hsuan Lin**, Taipei (TW)

(73) Assignee: **Hewlett-Packard Development
Company, L.P.**, Houston, TX (US)

(**) Term: **14 Years**

(21) Appl. No.: **29/404,001**

(22) Filed: **Oct. 13, 2011**

(51) **LOC (9) Cl.** **14-02**

(52) **U.S. Cl.** **D14/441**

(58) **Field of Classification Search** D14/441-446,
D14/313, 349, 356, 360-368; D13/162,
D13/184, 199; 312/223.2; 360/99.01-99.12;
361/679.31-679.33, 679.55; 369/34.01,
369/36.01

See application file for complete search history.

(56) **References Cited**

U.S. PATENT DOCUMENTS

D396,031 S * 7/1998 Chiodo et al. D14/308
5,867,369 A * 2/1999 Antonuccio et al. 361/796
D419,139 S * 1/2000 Kohara D14/308

6,478,392 B2 * 11/2002 Gan et al. 312/326
6,549,398 B2 * 4/2003 Chen 361/679.58
D511,777 S * 11/2005 Schmidt et al. D14/441
D516,567 S * 3/2006 Su et al. D14/441
7,131,711 B2 * 11/2006 Chen 312/223.2
D585,440 S * 1/2009 Alfonso et al. D14/313
D635,563 S * 4/2011 Brusca et al. D14/301
D643,427 S * 8/2011 McGoldrick et al. D14/356

* cited by examiner

Primary Examiner — Freda S Nunn

(57) **CLAIM**

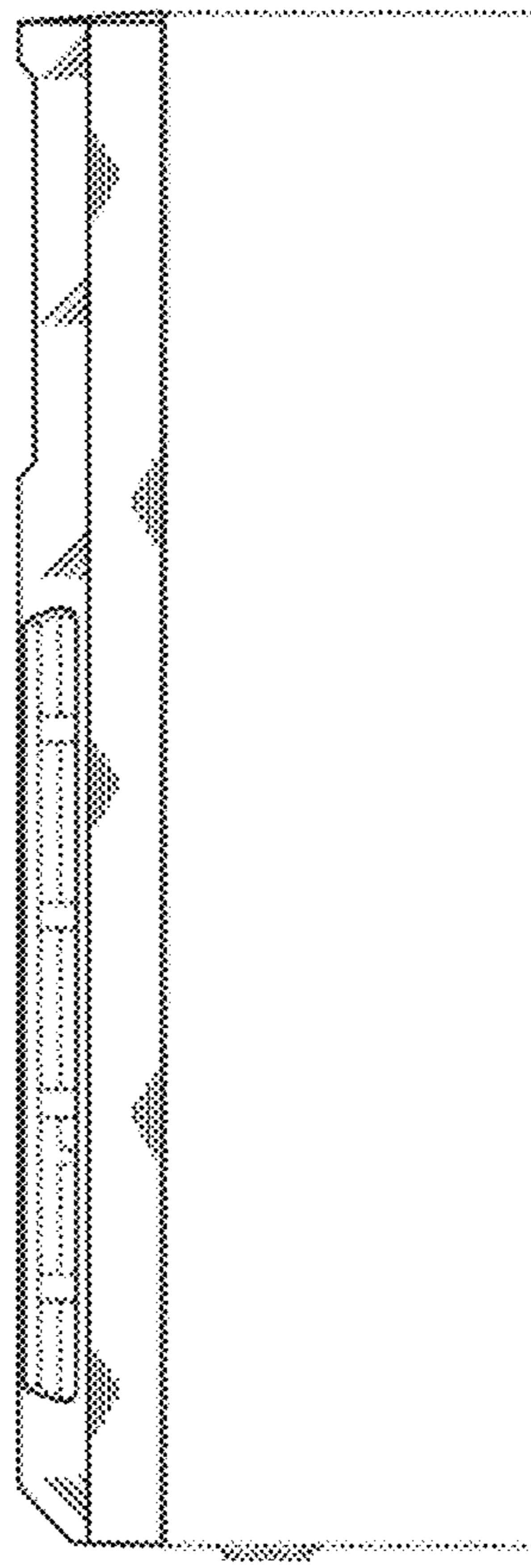
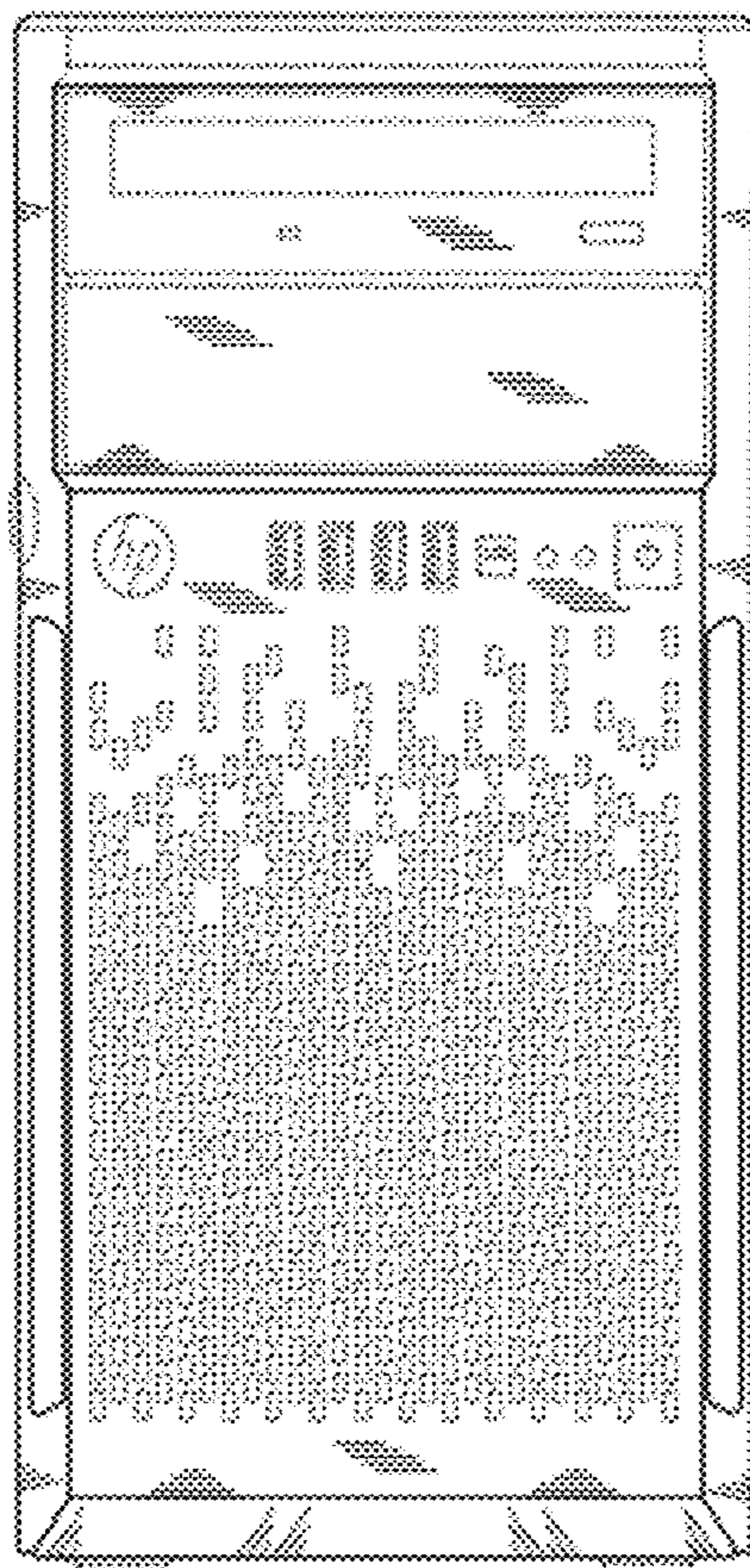
The ornamental design for a cover plate for a computing device, as shown and described.

DESCRIPTION

FIG. 1 is a front view of a cover plate for a computing device; FIG. 2 is a right side view of the cover plate for a computing device; and, FIG. 3 is a left side view of the cover plate for a computing device.

The broken lines showing of various regions and the unshaded areas therein are for the purpose of illustrating the article and form no part of the claimed design.

1 Claim, 3 Drawing Sheets



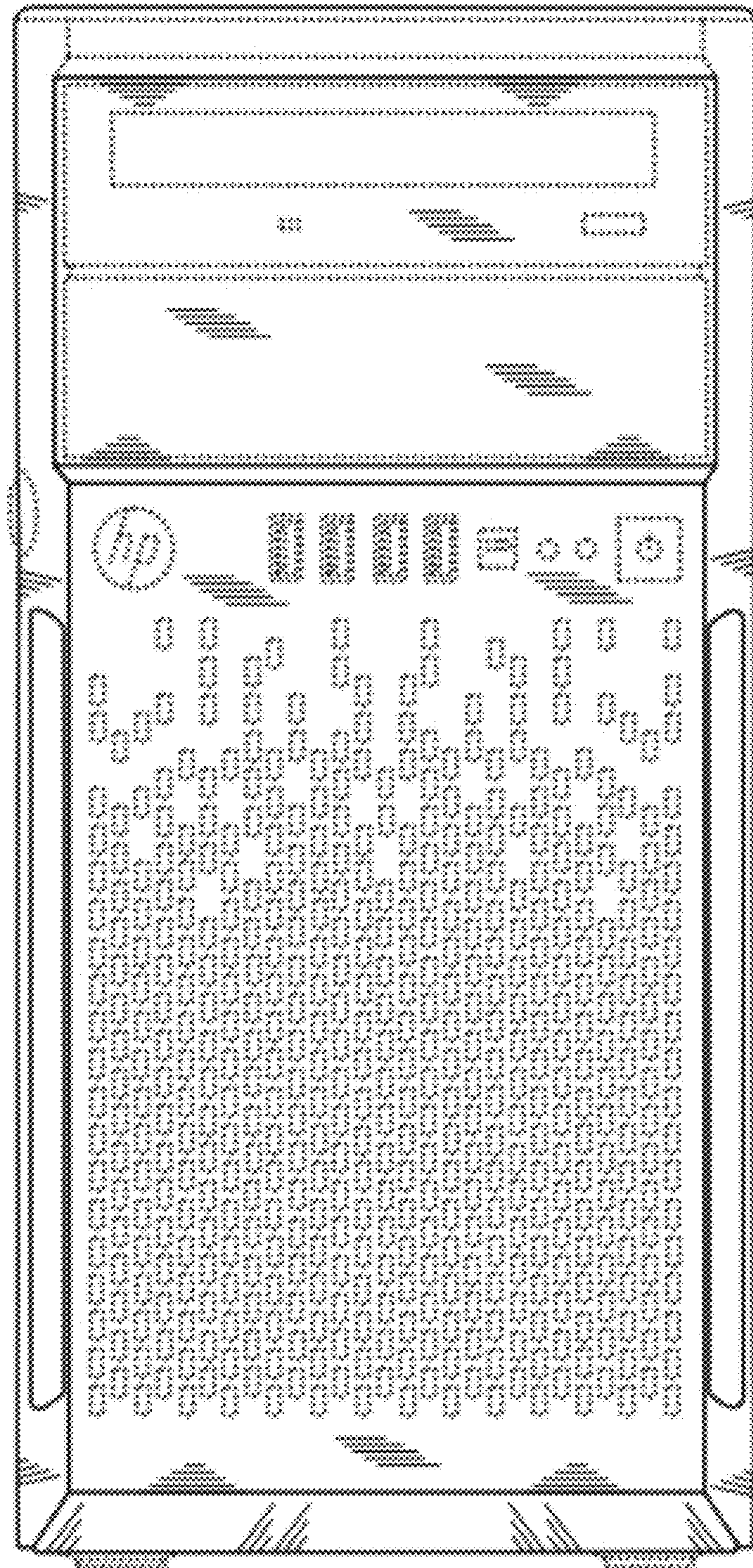


FIG. 1

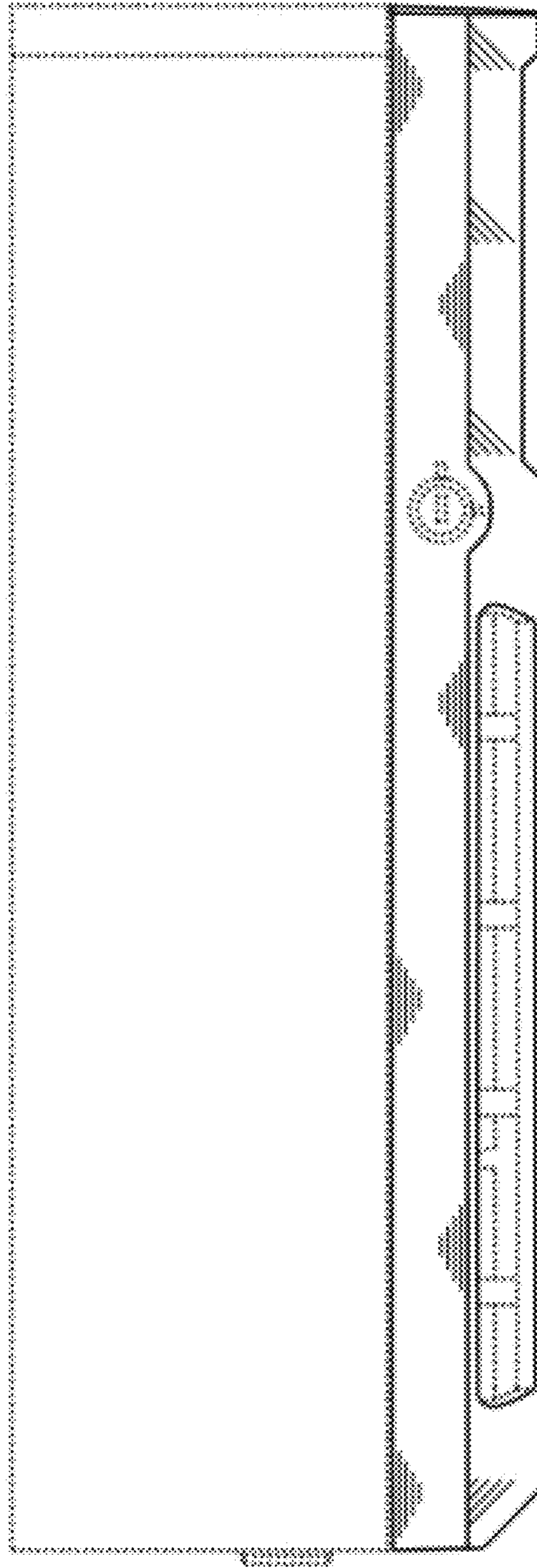


FIG. 2

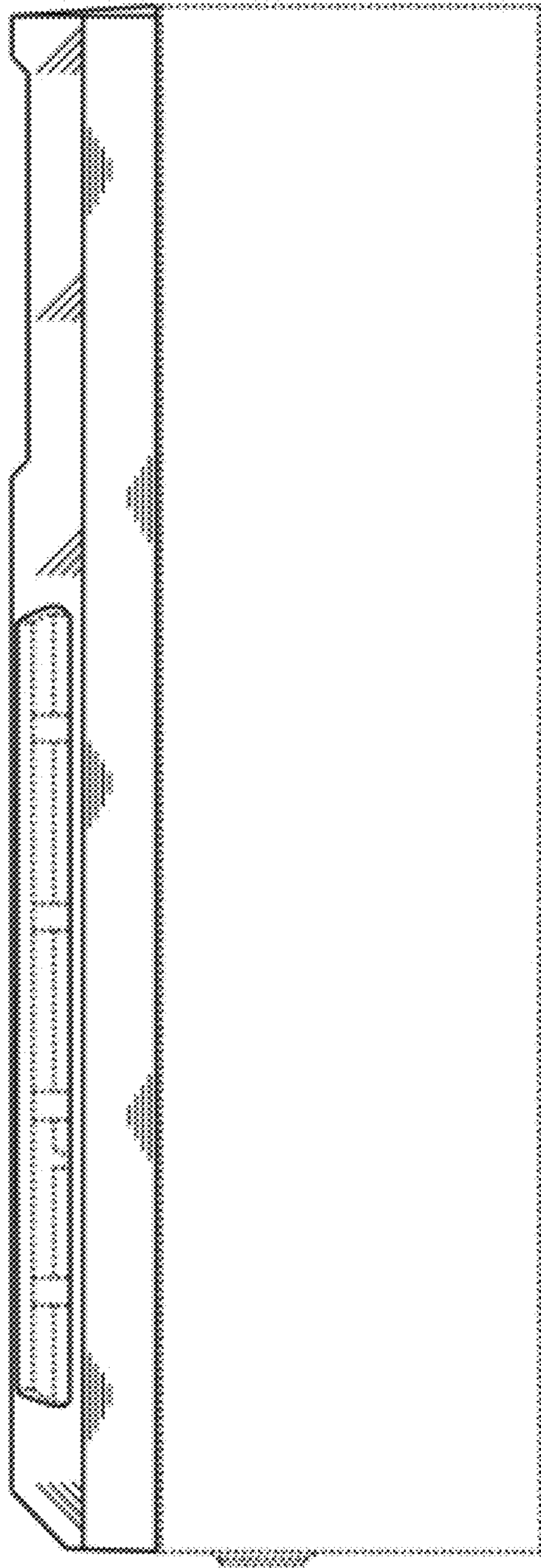


FIG. 3