



US00D673158S

(12) **United States Design Patent**
Yang et al.

(10) **Patent No.:** **US D673,158 S**
(45) **Date of Patent:** **** Dec. 25, 2012**

(54) **PROTECTING CASE FOR PORTABLE ELECTRONIC DEVICE**

(75) Inventors: **Hsin-Yung Yang**, Tu-Cheng (TW);
Li-Houng Lu, Tu-Cheng (TW);
Ching-Min Lin, Tu-Cheng (TW);
Tzu-Cheng Yu, Santa Clara, CA (US)

(73) Assignee: **Chi Mei Communication Systems, Inc.**, Tu-Cheng, New Taipei (TW)

(**) Term: **14 Years**

(21) Appl. No.: **29/416,306**

(22) Filed: **Mar. 20, 2012**

Related U.S. Application Data

(63) Continuation of application No. 29/408,942, filed on Dec. 19, 2011.

(51) **LOC (9) Cl.** **14-02**

(52) **U.S. Cl.** **D14/440**

(58) **Field of Classification Search** D14/250,
D14/251, 253, 240, 217, 496, 440, 203.3,
D14/203.4, 203.5, 203.8, 432, 439, 300, 447,
D14/346, 443; D3/218, 215, 201; 220/4.02;
248/309.1, 459; 361/679.56, 679.03; 379/426,
379/433.11, 455; 455/575.1, 575.8; 190/100;
206/305, 320; D19/86

See application file for complete search history.

(56) **References Cited**

U.S. PATENT DOCUMENTS

681,976	A *	9/1901	Rathvon	248/456
1,370,279	A *	3/1921	Burzynski	211/43
2,354,782	A *	8/1944	Stradling et al.	281/16
2,726,835	A *	12/1955	Hummel	248/459
4,318,527	A *	3/1982	Smith	248/459
4,703,160	A *	10/1987	Narishima et al.	235/1 D
4,718,550	A *	1/1988	Johnson	206/387.13
D466,356	S *	12/2002	Marsilio	D6/632

6,493,969	B2 *	12/2002	Devos	40/120
D469,438	S *	1/2003	Corrales	D14/432
D471,008	S *	3/2003	Dubone	D3/247
D478,623	S *	8/2003	Wilburn	D19/26
6,646,672	B2 *	11/2003	Feierbach	348/14.02
D546,878	S *	7/2007	Bharma	D19/26
7,318,521	B2 *	1/2008	Lau	206/45.24
D581,865	S *	12/2008	Koza	D13/102
D584,314	S *	1/2009	Davis et al.	D14/440
7,542,052	B2 *	6/2009	Solomon et al.	345/659
D609,226	S *	2/2010	Hofer et al.	D14/248

(Continued)

Primary Examiner — Cynthia Underwood

(74) *Attorney, Agent, or Firm* — Altis Law Group, Inc.

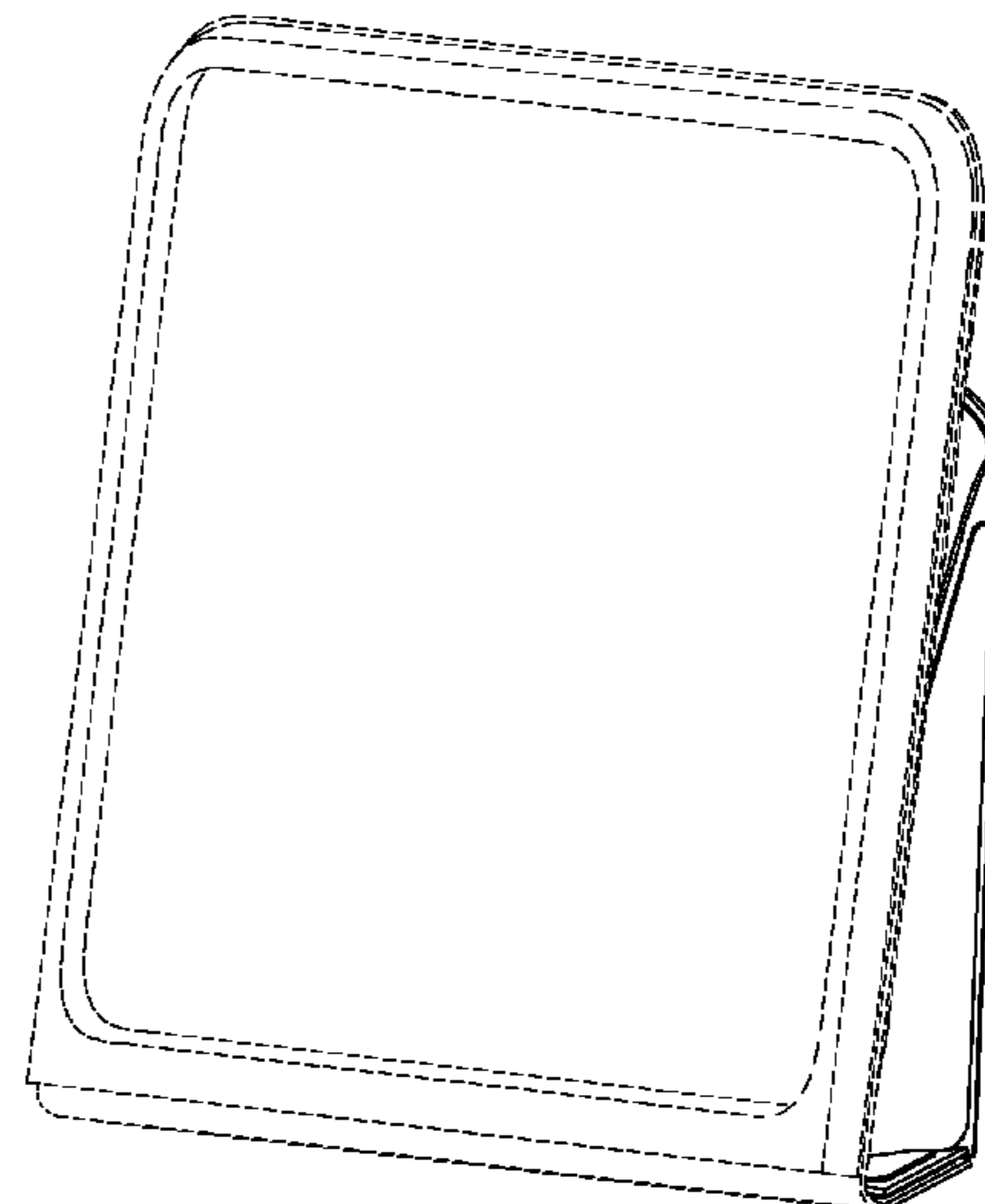
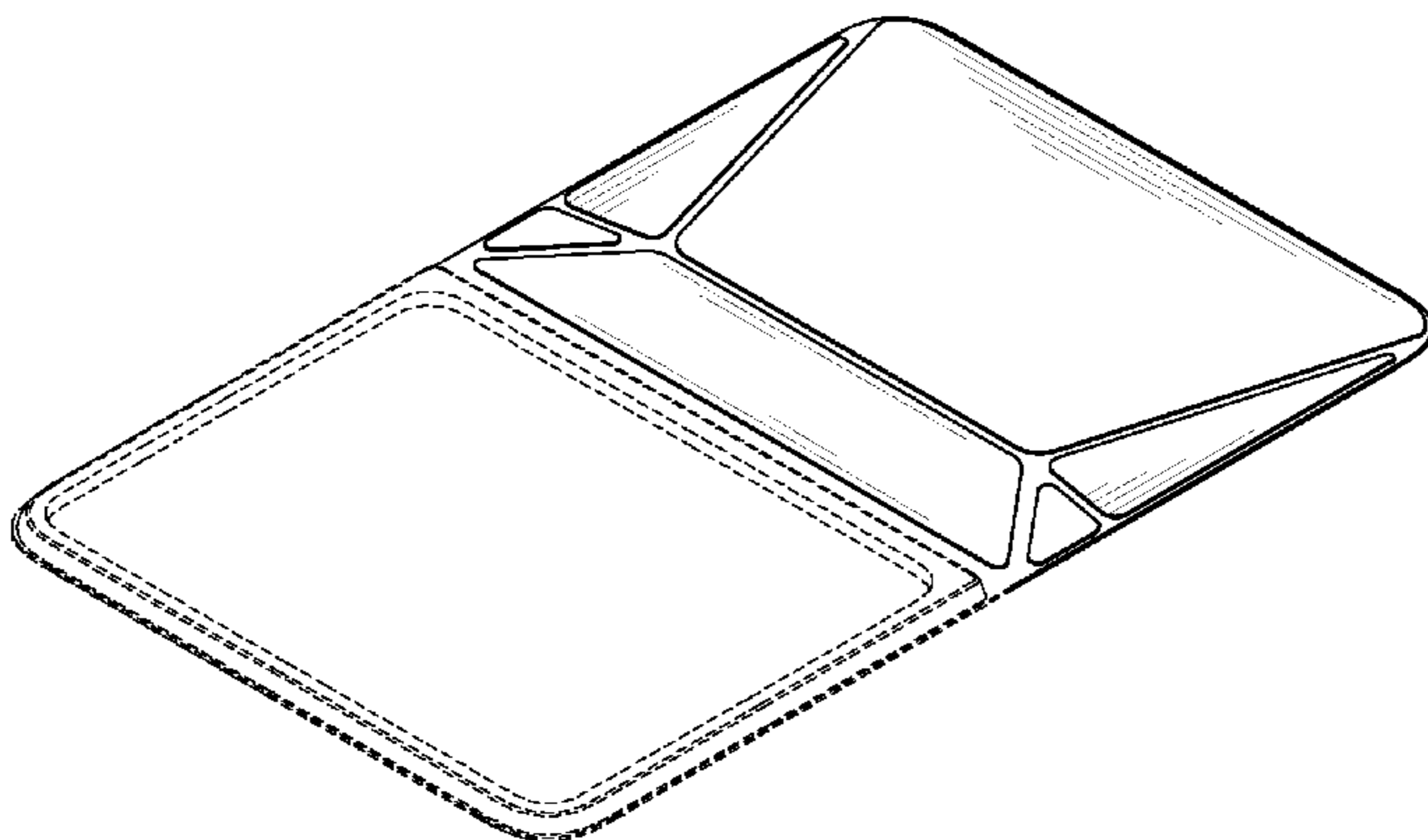
(57) **CLAIM**

The ornamental design for a protecting case for portable electronic device, as shown and described.

DESCRIPTION

FIG. 1 is a perspective view of a protecting case for portable electronic device showing our new design;
 FIG. 2 is a front elevational view thereof;
 FIG. 3 is a rear elevational view thereof;
 FIG. 4 is a left side elevational view thereof;
 FIG. 5 is a right side elevational view thereof;
 FIG. 6 is a perspective view of the protecting case receiving a portable electronic device of FIG. 1, viewed from a different angle;
 FIG. 7 is a perspective view of the protecting case in a folded state;
 FIG. 8 is a rear elevational view of FIG. 7;
 FIG. 9 is a left side elevational view of FIG. 7;
 FIG. 10 is a right side elevational view of FIG. 7; and
 FIG. 11 is a perspective view of FIG. 7 for supporting a portable electronic device, viewed from a different angle.
 The dash-dot-dot broken lines represent boundaries of the claimed design and from no part of the claim design. The broken lines illustrate non-claimed subject matter and form no part of the claimed design.

1 Claim, 11 Drawing Sheets



US D673,158 S

Page 2

U.S. PATENT DOCUMENTS

8,016,107	B2 *	9/2011	Emsky	206/320	8,230,992	B2 *	7/2012	Law et al.	206/320
D646,266	S *	10/2011	Kim et al.	D14/250	D665,809	S *	8/2012	Wang et al.	D14/439
D648,529	S *	11/2011	Brown	D3/269	8,235,208	B2 *	8/2012	Sirichai et al.	206/320
D654,069	S *	2/2012	Kwon et al.	D14/250	8,245,843	B1 *	8/2012	Wu	206/320
8,132,670	B1 *	3/2012	Chen	206/320	2009/0194209	A1 *	8/2009	De Filippis et al.	150/107
D659,139	S *	5/2012	Gengler	D14/392	2010/0289390	A1 *	11/2010	Kenney	312/223.1
D662,100	S *	6/2012	Van Den Nieuwenhuizen et al.	D14/440	2012/0043231	A1 *	2/2012	Perrier et al.	206/216
D662,503	S *	6/2012	Akana et al.	D14/439	2012/0170212	A1 *	7/2012	Gallouzi et al.	361/679.56
D663,304	S *	7/2012	Akana et al.	D14/440	2012/0194448	A1 *	8/2012	Rothkopf	345/173
					2012/0212896	A1 *	8/2012	Schulz	361/679.02

* cited by examiner

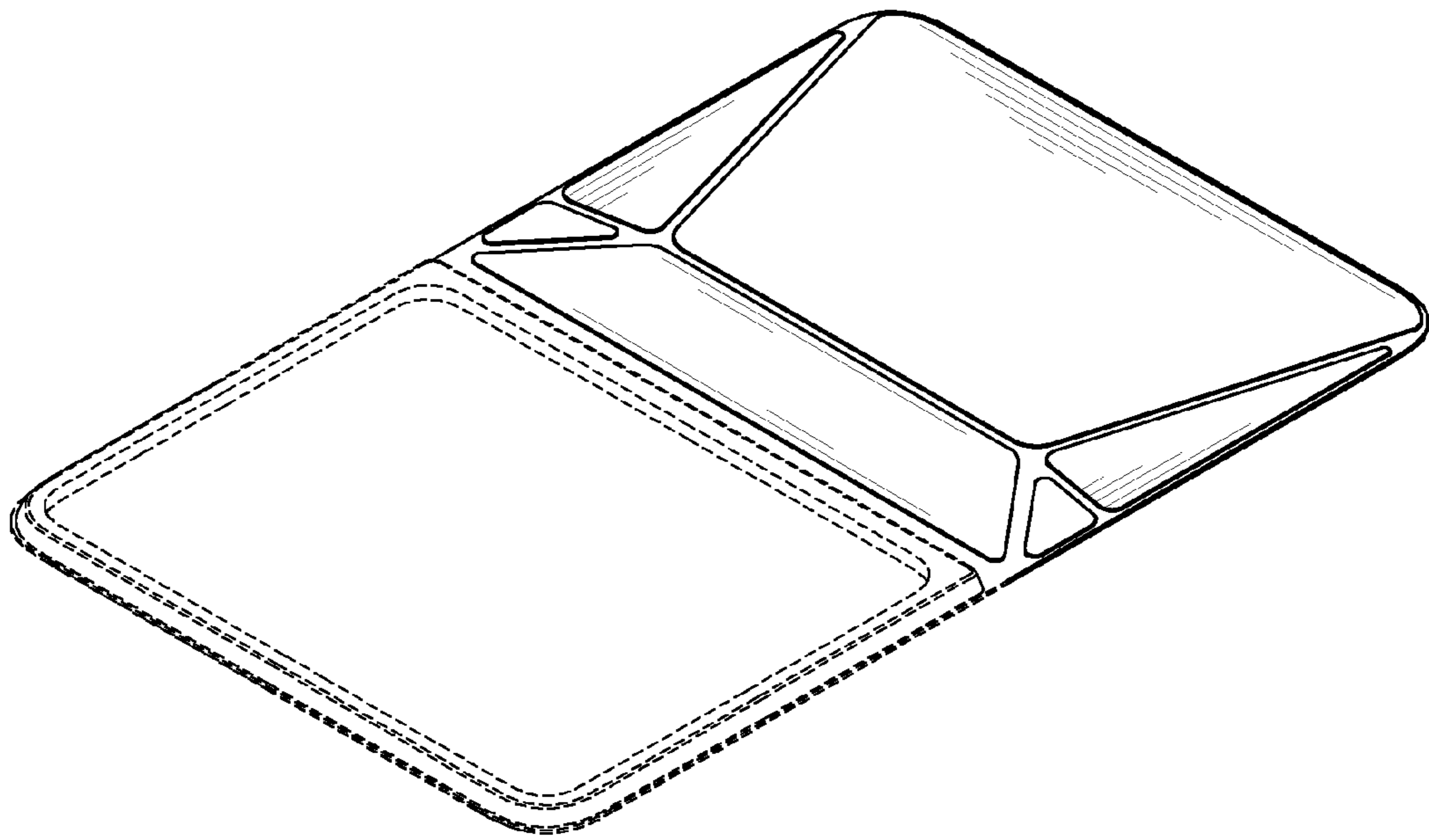


FIG. 1

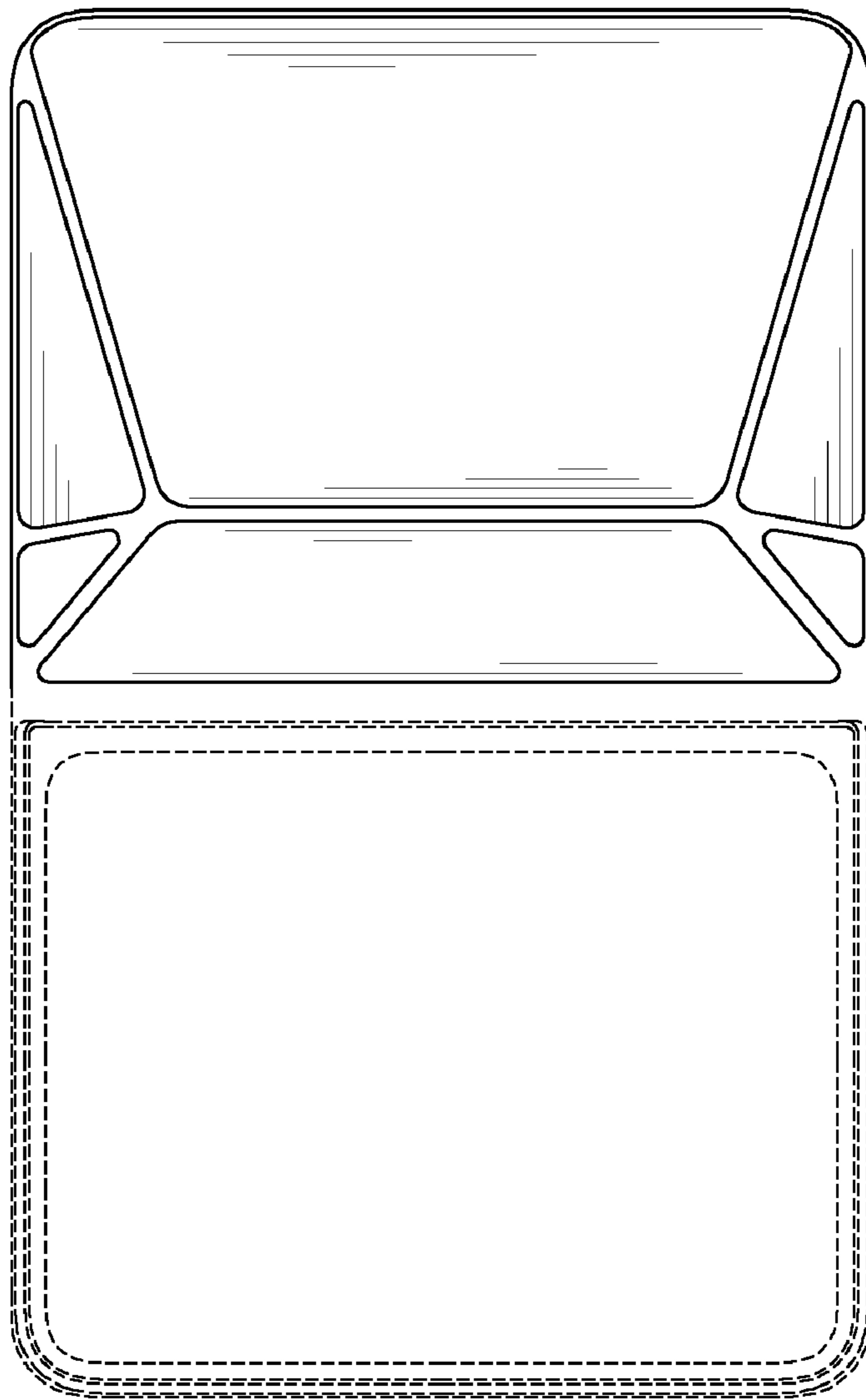


FIG. 2

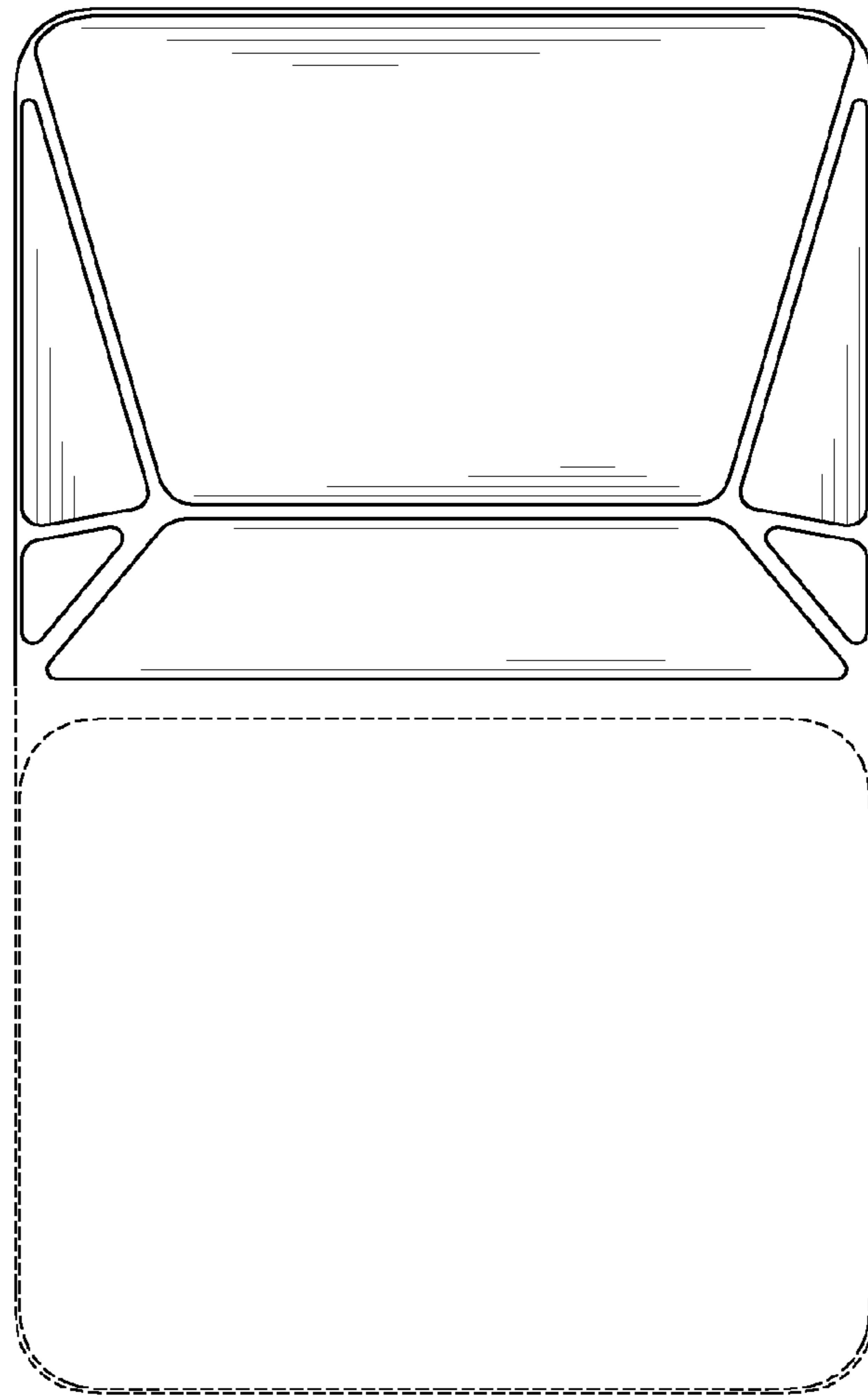


FIG. 3

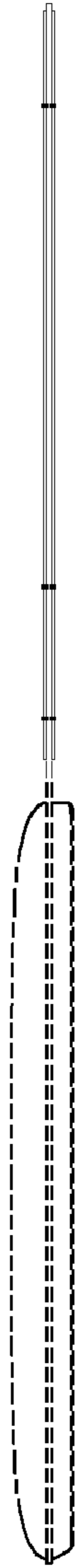


FIG. 4

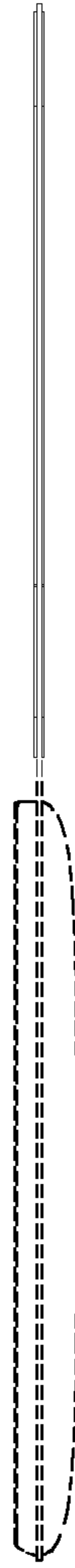


FIG. 5

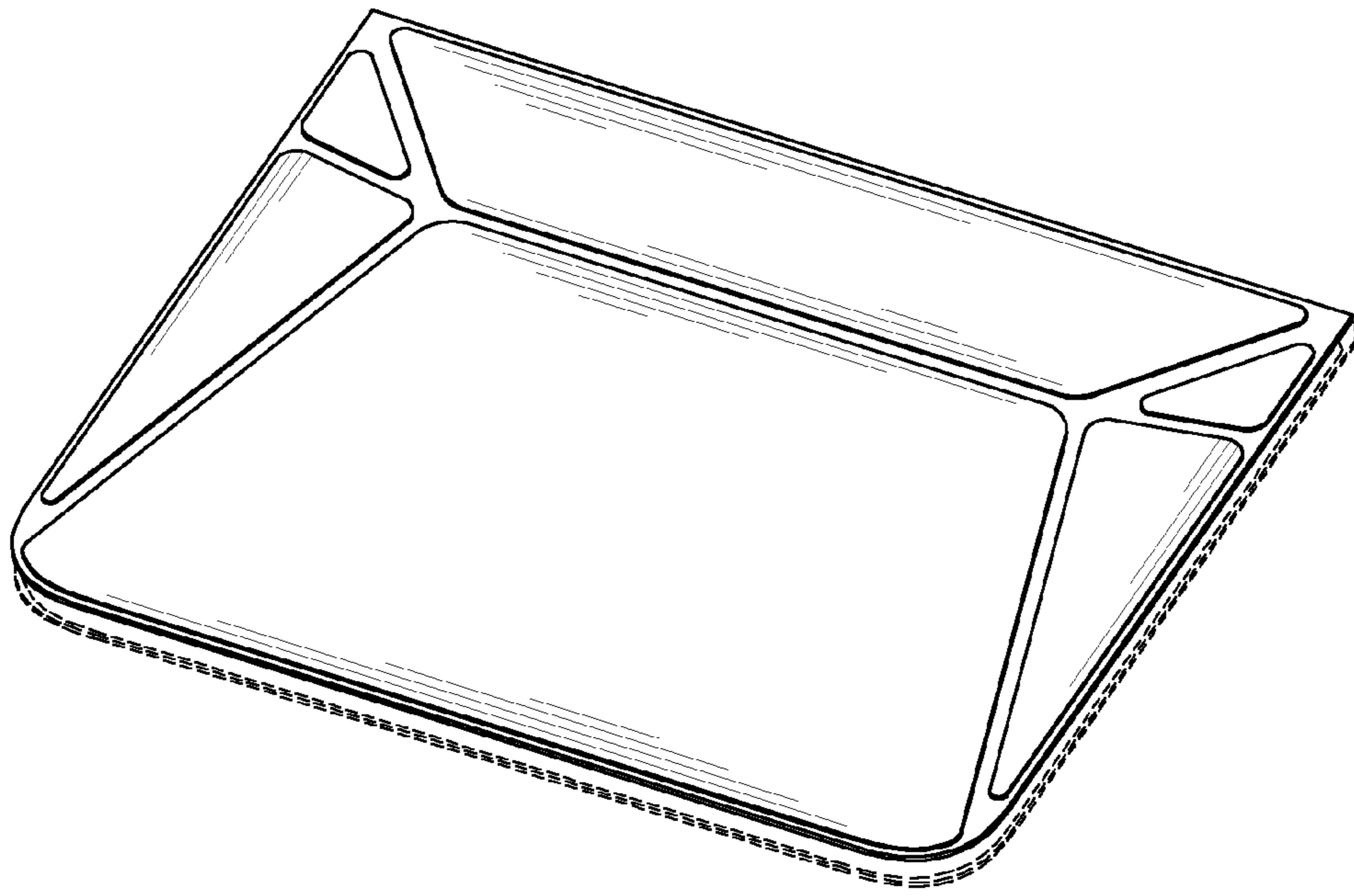


FIG. 6

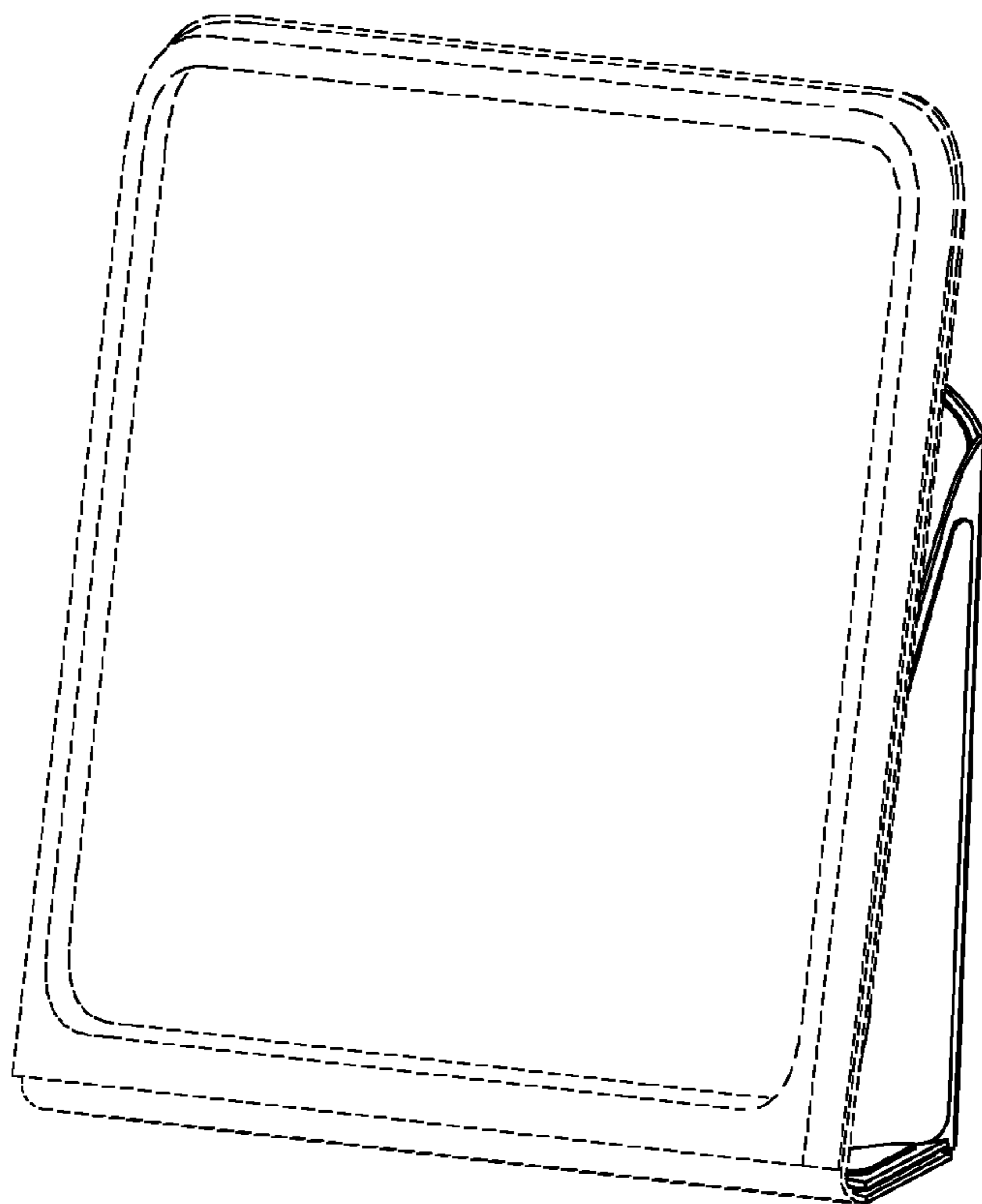


FIG. 7

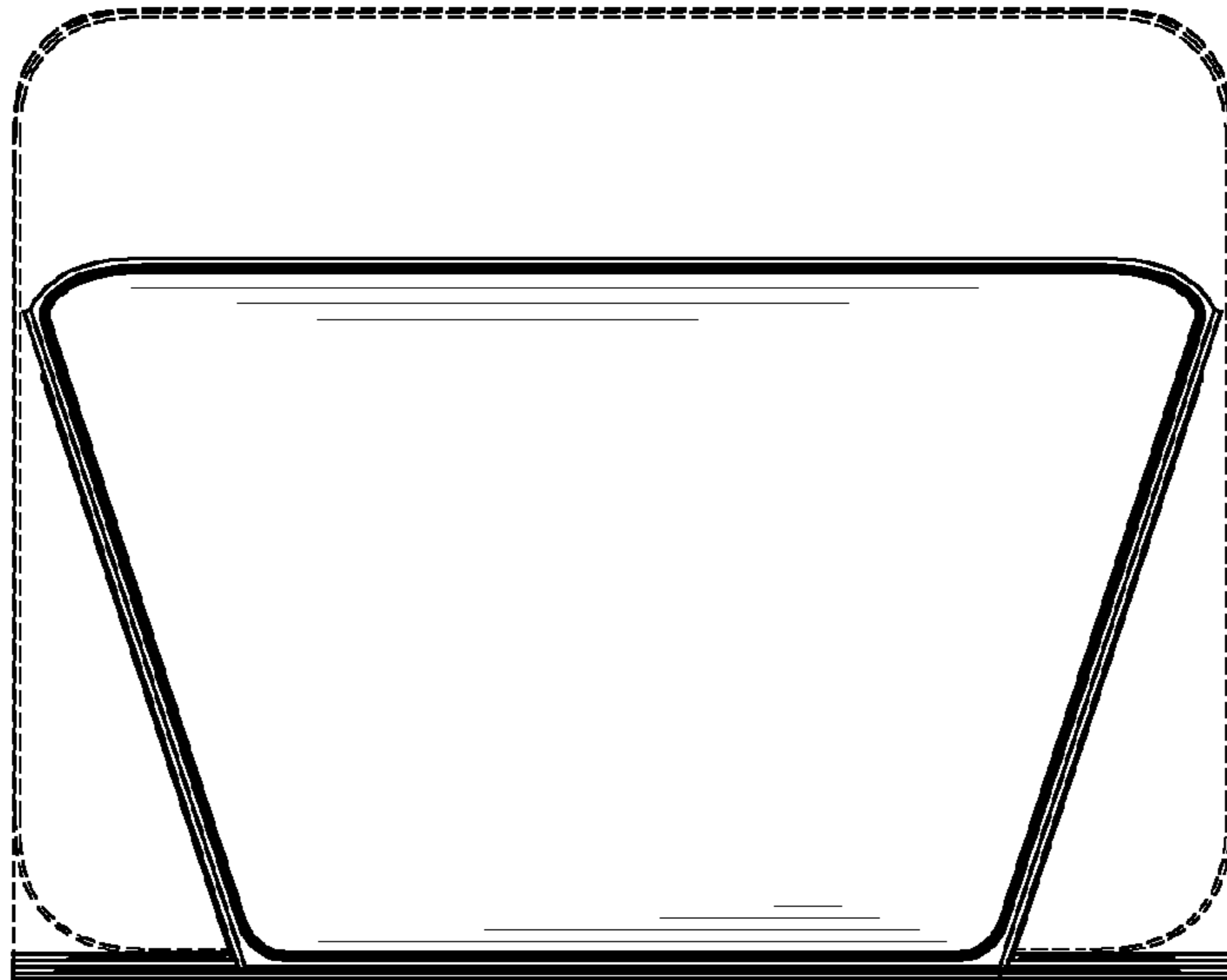


FIG. 8

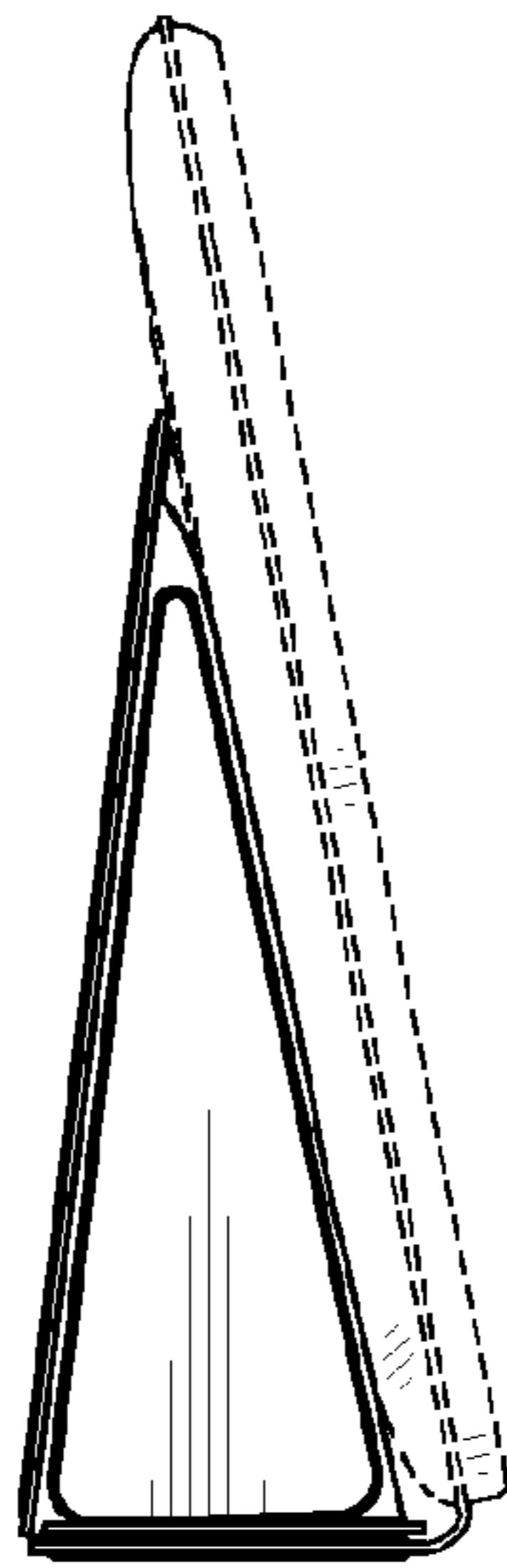


FIG. 9

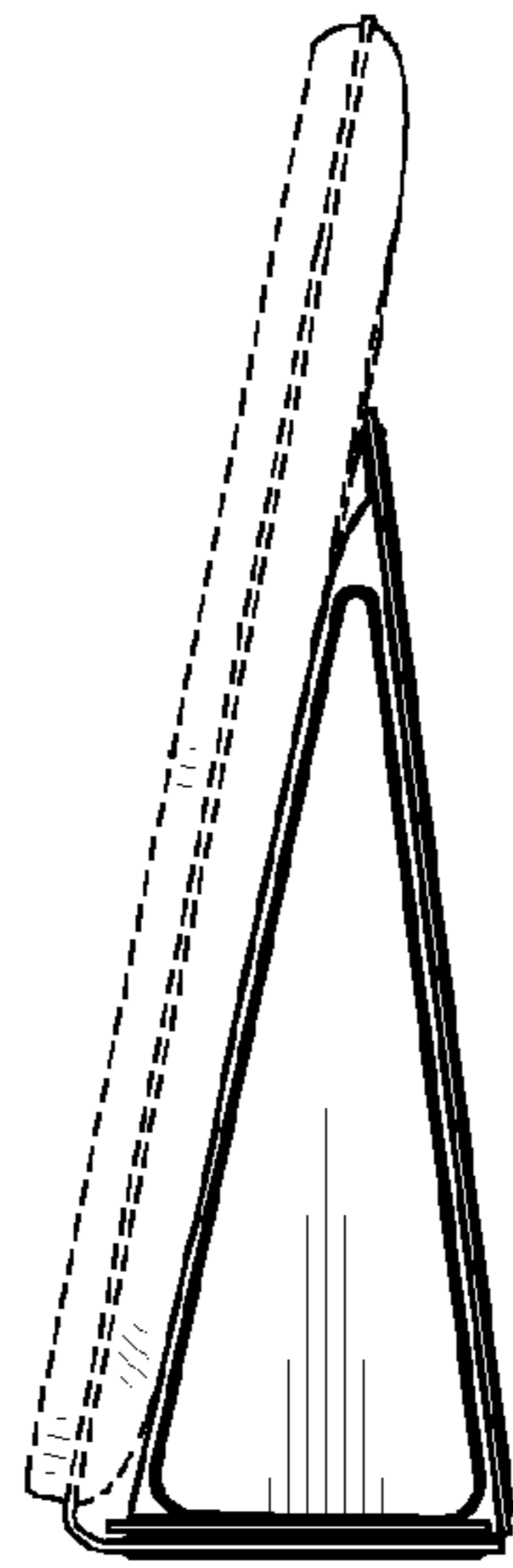


FIG. 10

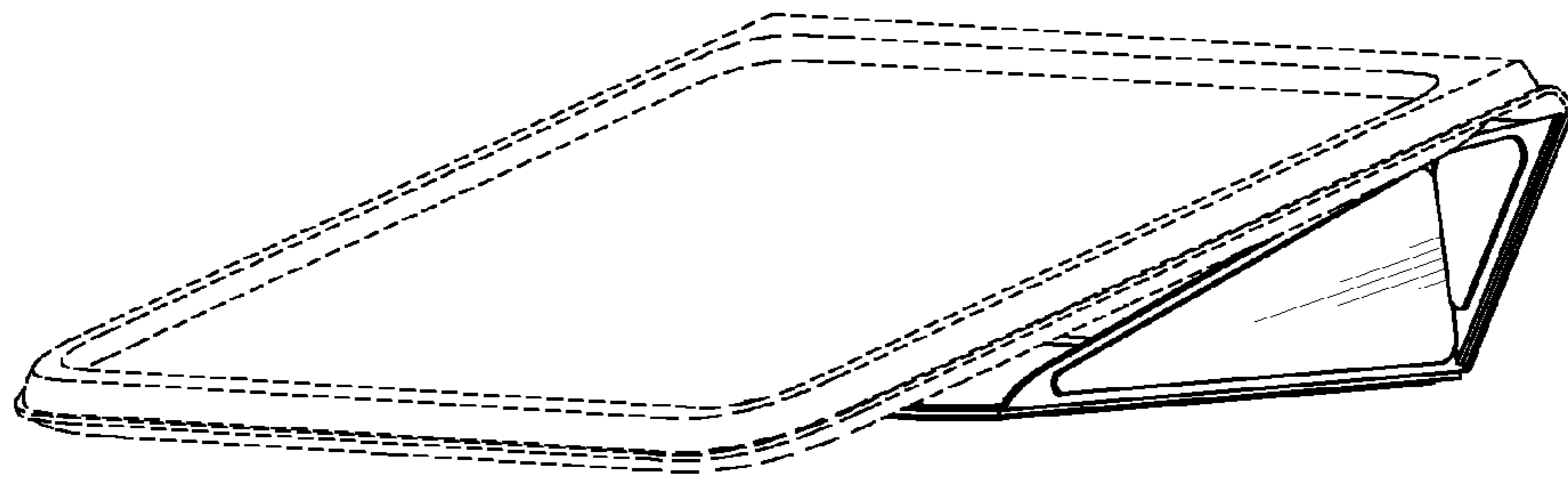


FIG. 11