



US00D673157S

(12) **United States Design Patent**
Lu et al.

(10) **Patent No.:** **US D673,157 S**
(45) **Date of Patent:** **** Dec. 25, 2012**

(54) **MULTIFUNCTIONAL CASE FOR PORTABLE ELECTRONIC DEVICE**

(74) *Attorney, Agent, or Firm* — Altis Law Group, Inc.

(75) Inventors: **Li-Houng Lu**, Tu-Cheng (TW);
Hsin-Yung Yang, Tu-Cheng (TW);
Ching-Min Lin, Tu-Cheng (TW);
Tzu-Cheng Yu, Santa Clara, CA (US)

(57) **CLAIM**

The ornamental design for an multifunctional case for portable electronic device, as shown and described.

(73) Assignee: **Chi Mei Communication Systems, Inc.**, Tu-Cheng, New Taipei (TW)

DESCRIPTION

(**) Term: **14 Years**

(21) Appl. No.: **29/386,290**

(22) Filed: **Feb. 28, 2011**

(51) **LOC (9) Cl.** **14-02**

(52) **U.S. Cl.** **D14/440**

(58) **Field of Classification Search** D14/250,
D14/251, 253, 240, 217, 496, 440, 203.3,
D14/203.4, 203.5, 203.8, 432, 439, 300;
D3/218, 215, 201; 220/4.02; 248/309.1;
361/679.56; 379/426, 433.11, 455; 455/575.1,
455/575.8; 190/100; 206/305, 320
See application file for complete search history.

This application is related to co-pending U.S. patent applications Ser. No. 13/036,116, entitled "Multifunctional Case for Portable Electronic Device". Such applications have the same assignee as the present application. The above-identified applications are incorporated herein by reference.

FIG. 1 is a perspective view of a multifunctional case for portable electronic device showing our new design; FIG. 2 is a front elevational view of the case; FIG. 3 is a rear elevational view of the case; FIG. 4 is a left side elevational view of the case; FIG. 5 is a right side elevational view of the case; FIG. 6 is a top plan view of the case; FIG. 7 is a bottom plan view of the case; FIG. 8 is a perspective view shown in an environment of use, with an unclaimed portable device inserted. FIG. 9 is a perspective view of the case in a folded state; FIG. 10 is a front elevational view of FIG. 9; FIG. 11 is a rear elevational view of FIG. 9; FIG. 12 is a left side elevational view of FIG. 9; FIG. 13 is a top plan view of FIG. 9; and, FIG. 14 is a bottom plan view of FIG. 9 supporting a portable electronic device.

The broken lines of all the figures are for the purpose of illustrating environment and form no part of the claimed design.

(56) **References Cited**

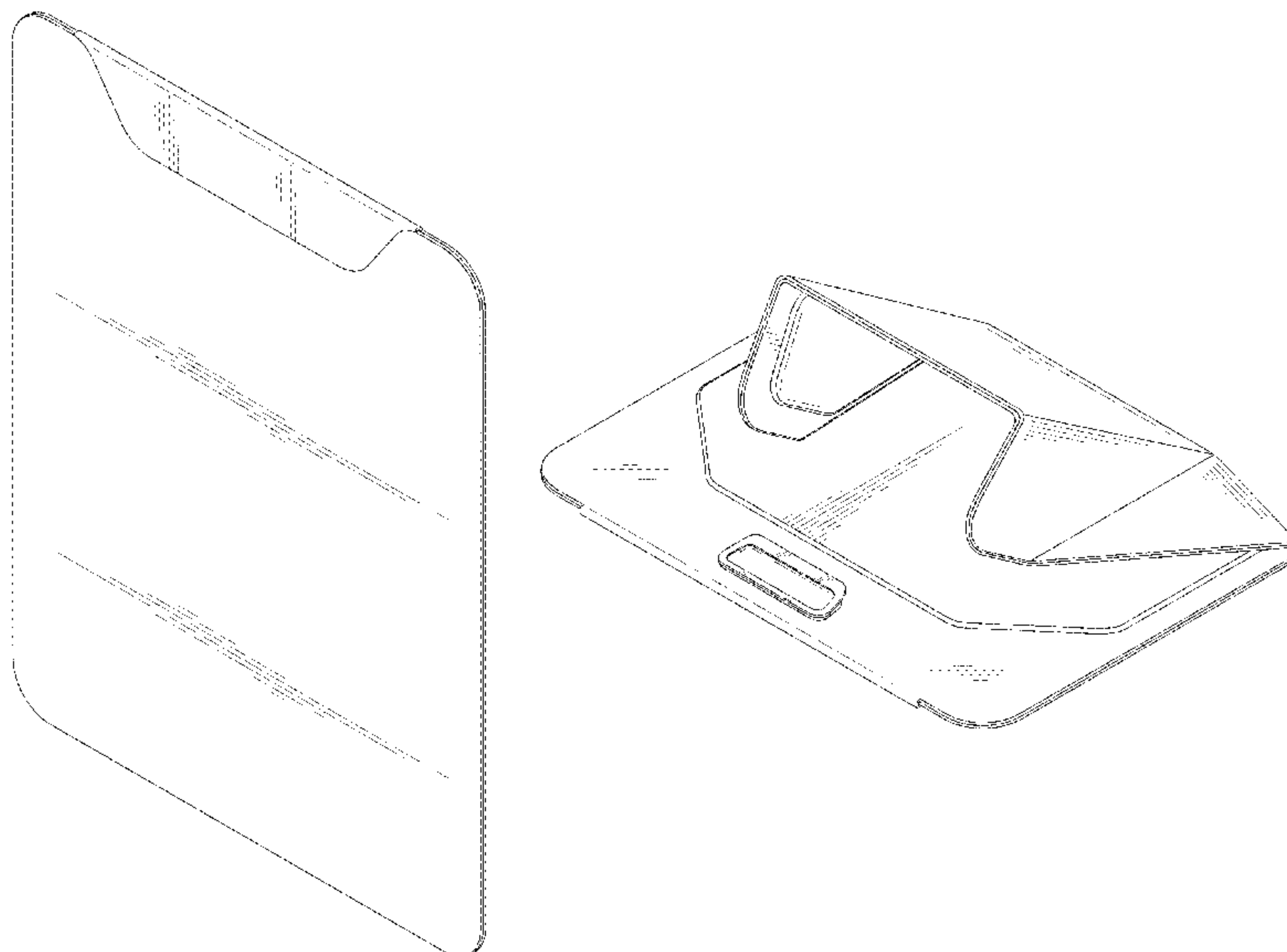
U.S. PATENT DOCUMENTS

D286,773	S	*	11/1986	Pauser	D14/299
D306,583	S	*	3/1990	Krolopp et al.	D14/137
5,375,076	A	*	12/1994	Goodrich et al.	361/679.17
5,436,792	A	*	7/1995	Leman et al.	361/679.44
8,054,614	B2	*	11/2011	Albertini et al.	361/679.01
D651,213	S	*	12/2011	Magness et al.	D14/447
8,139,357	B2	*	3/2012	Trang	361/679.59
D662,100	S	*	6/2012	Van Den Nieuwenhuizen	
				et al.	D14/440
8,201,687	B2	*	6/2012	Zeliff et al.	206/320

(Continued)

Primary Examiner — Cynthia Underwood

1 Claim, 14 Drawing Sheets



US D673,157 S

Page 2

U.S. PATENT DOCUMENTS

* cited by examiner

D663,294	S	*	7/2012	Buxton	D14/250
8,235,208	B2	*	8/2012	Sirichai et al.	206/320
2010/0294909	A1	*	11/2010	Hauser et al.	248/456

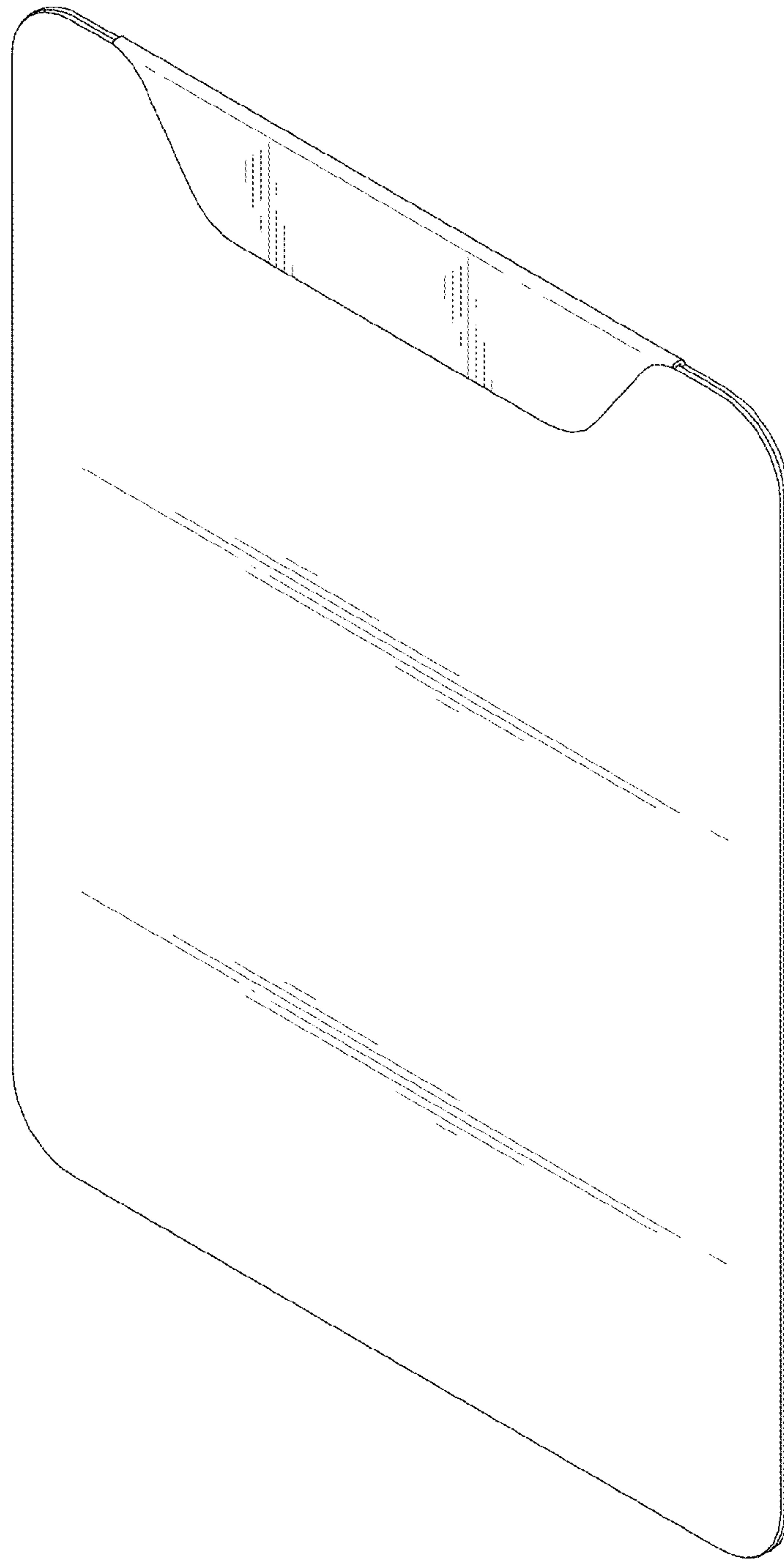


FIG. 1

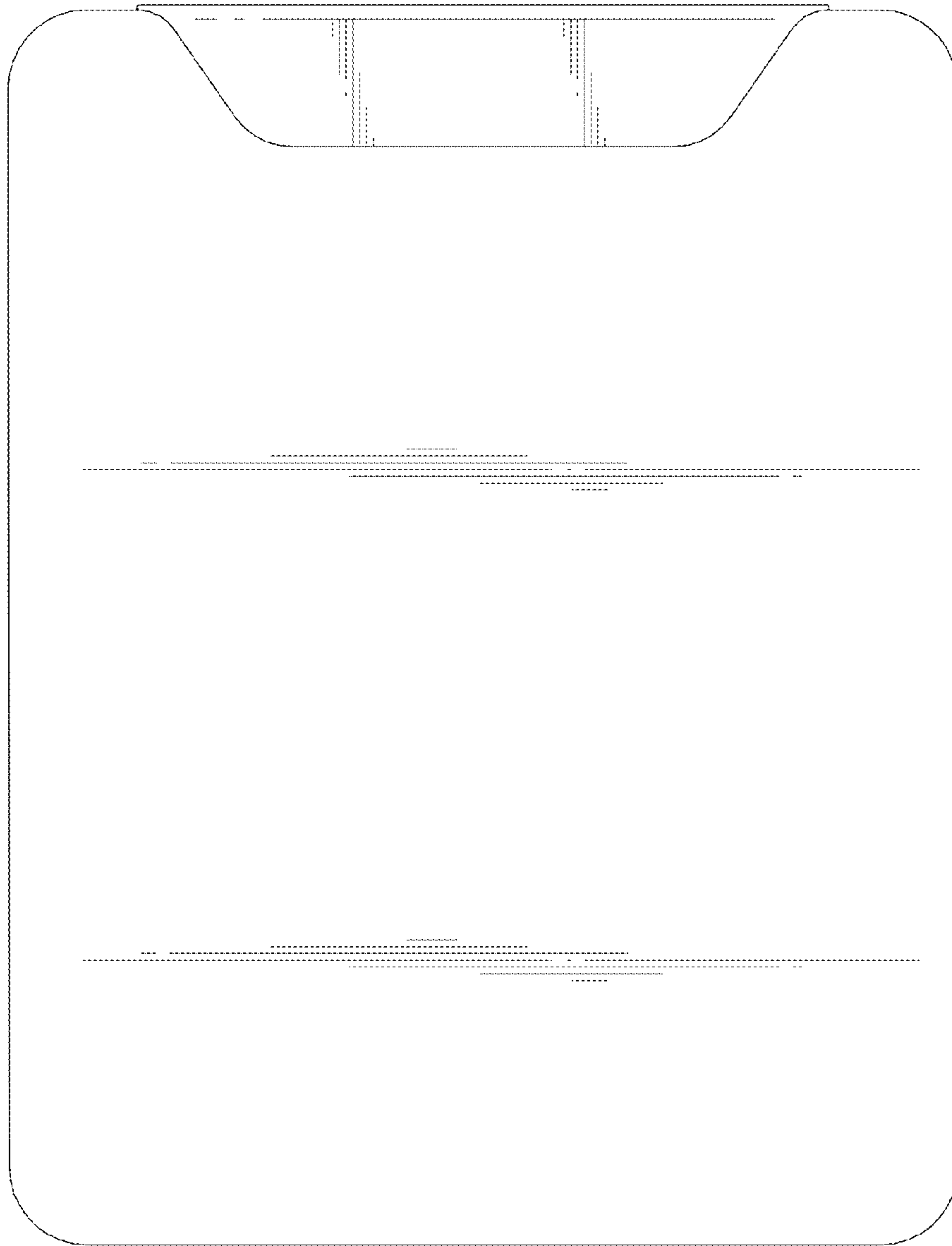


FIG. 2

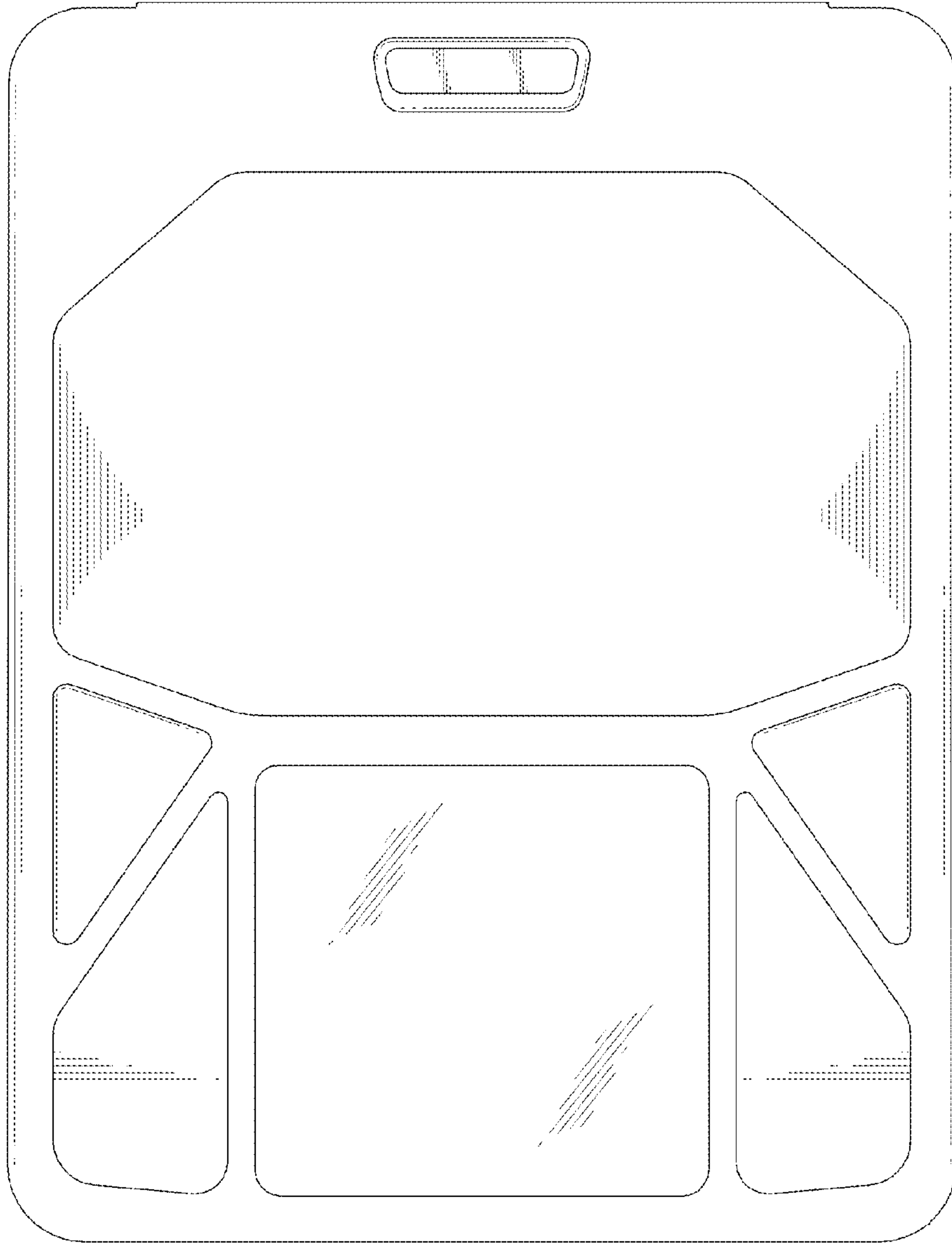


FIG. 3

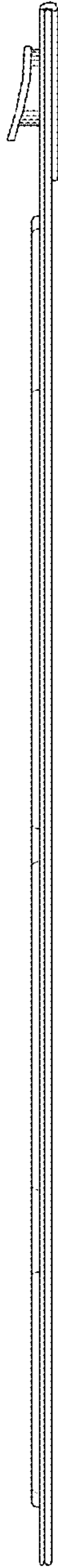


FIG. 4

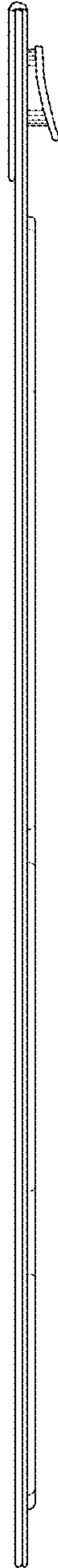


FIG. 5

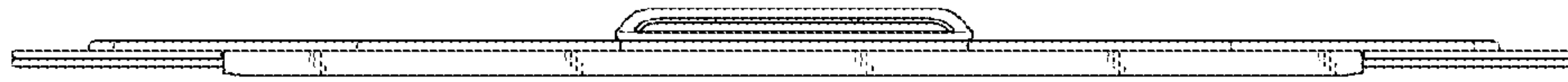


FIG. 6

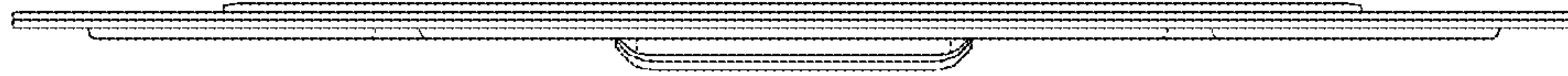


FIG. 7

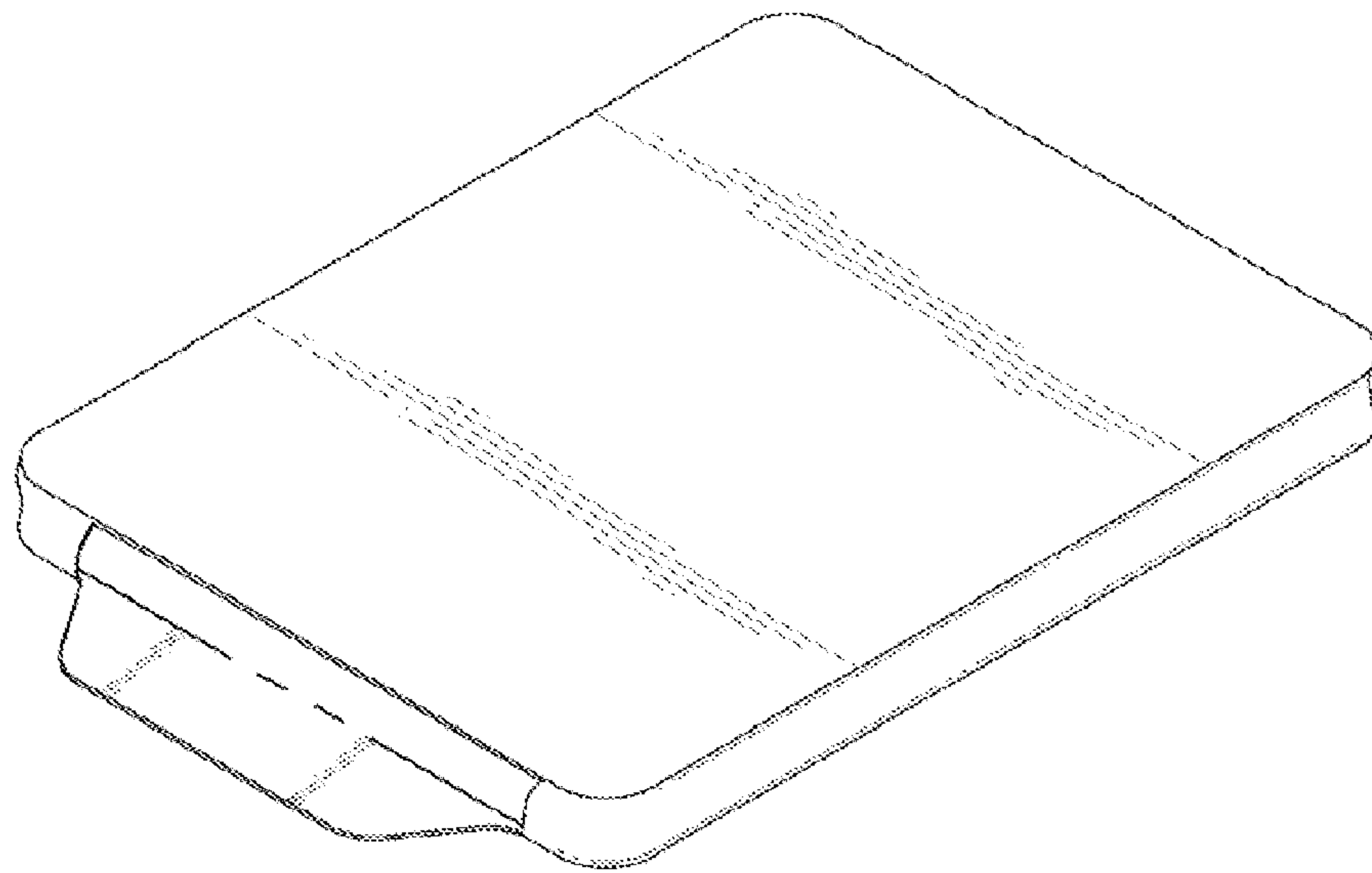


FIG. 8

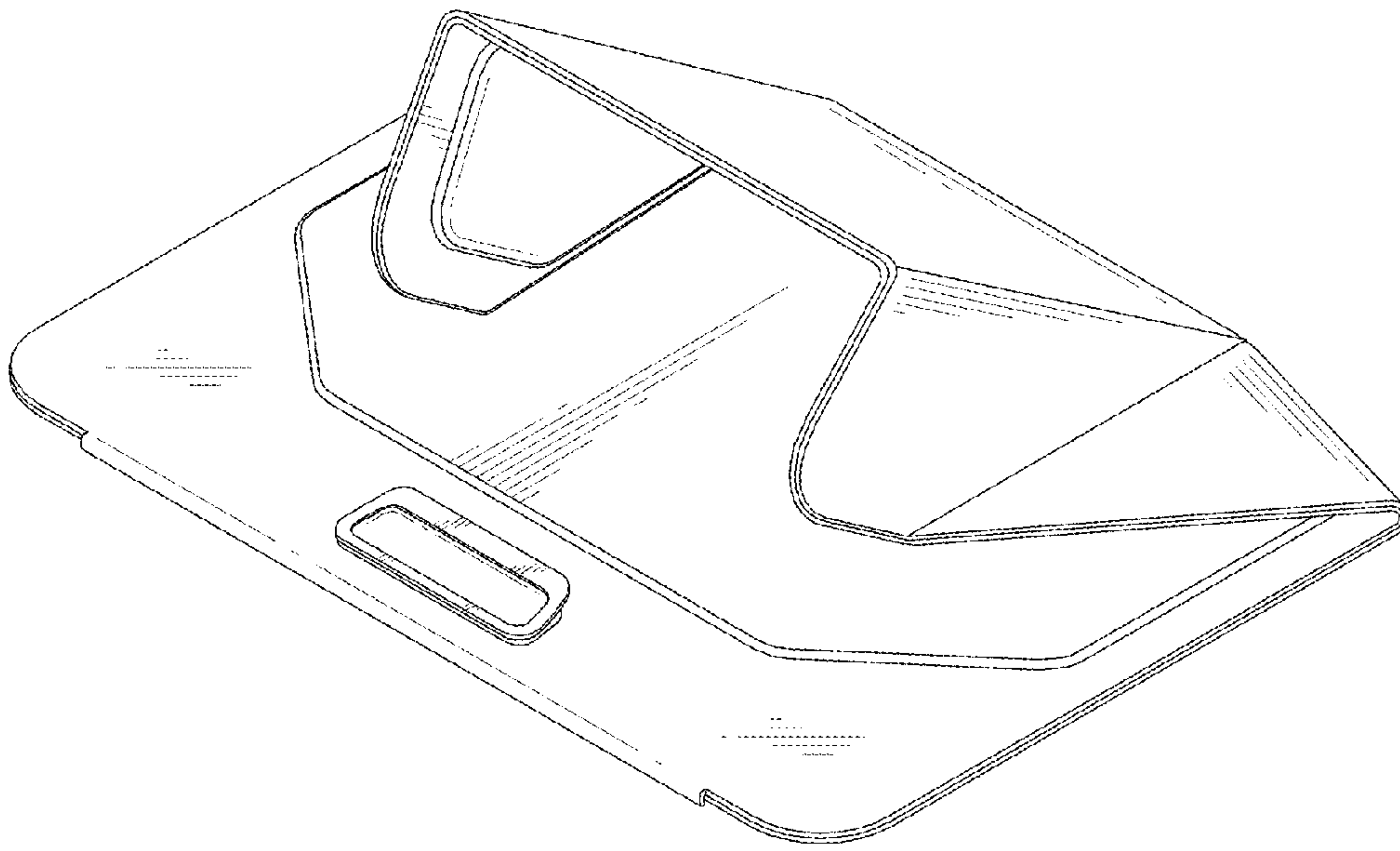


FIG. 9

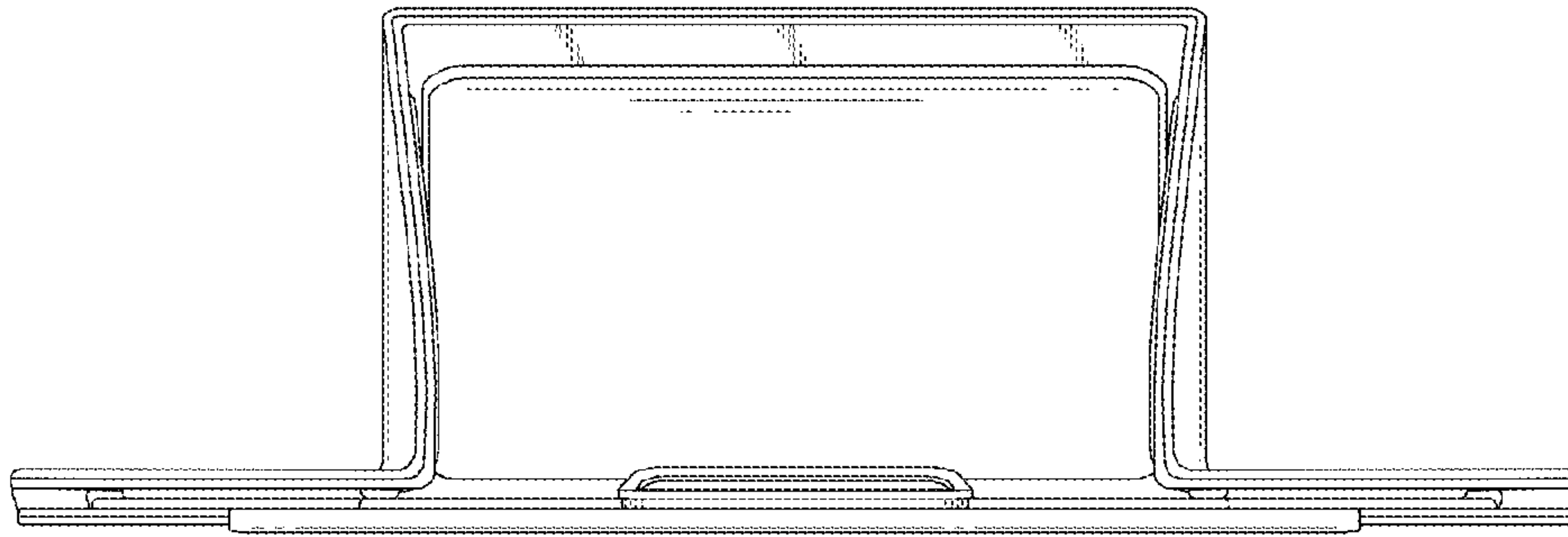


FIG. 10



FIG. 11

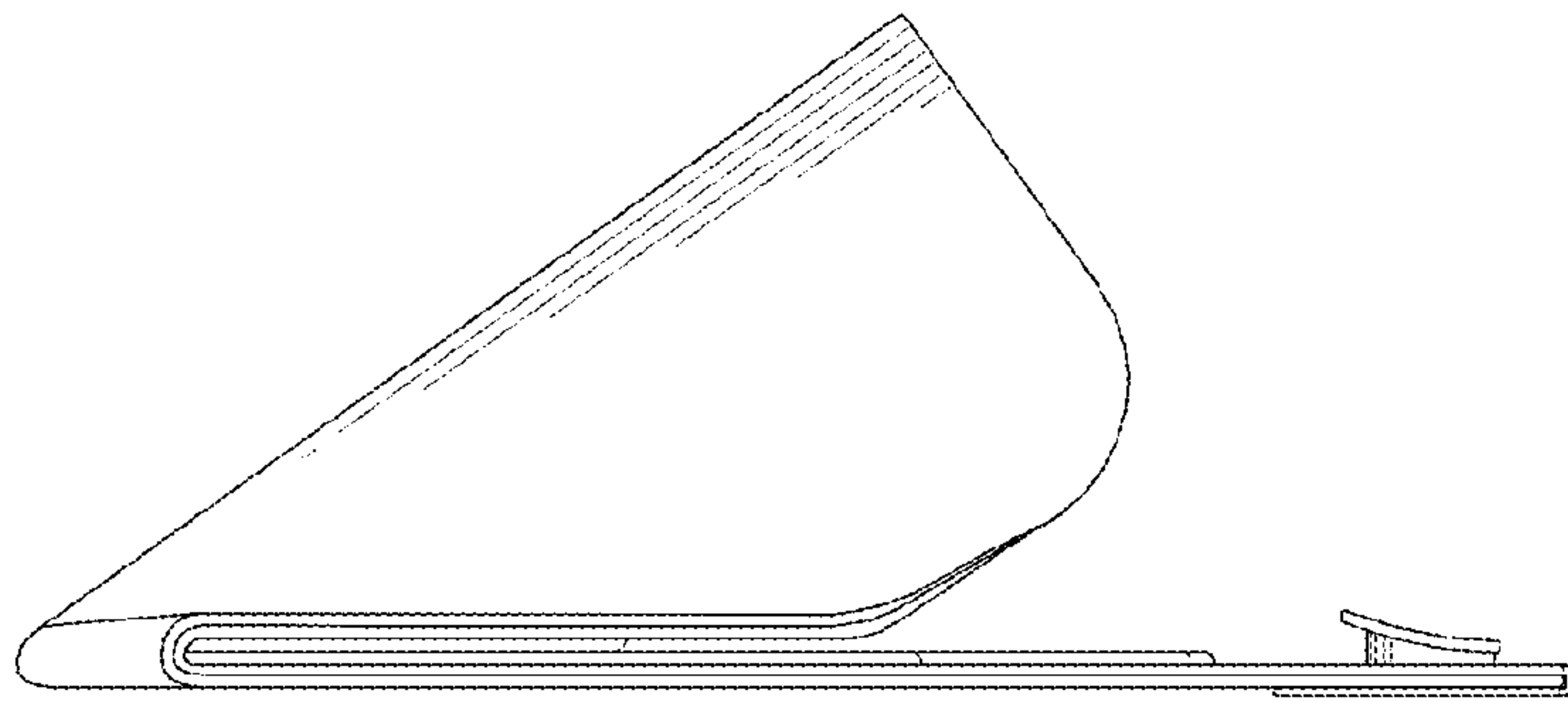


FIG. 12

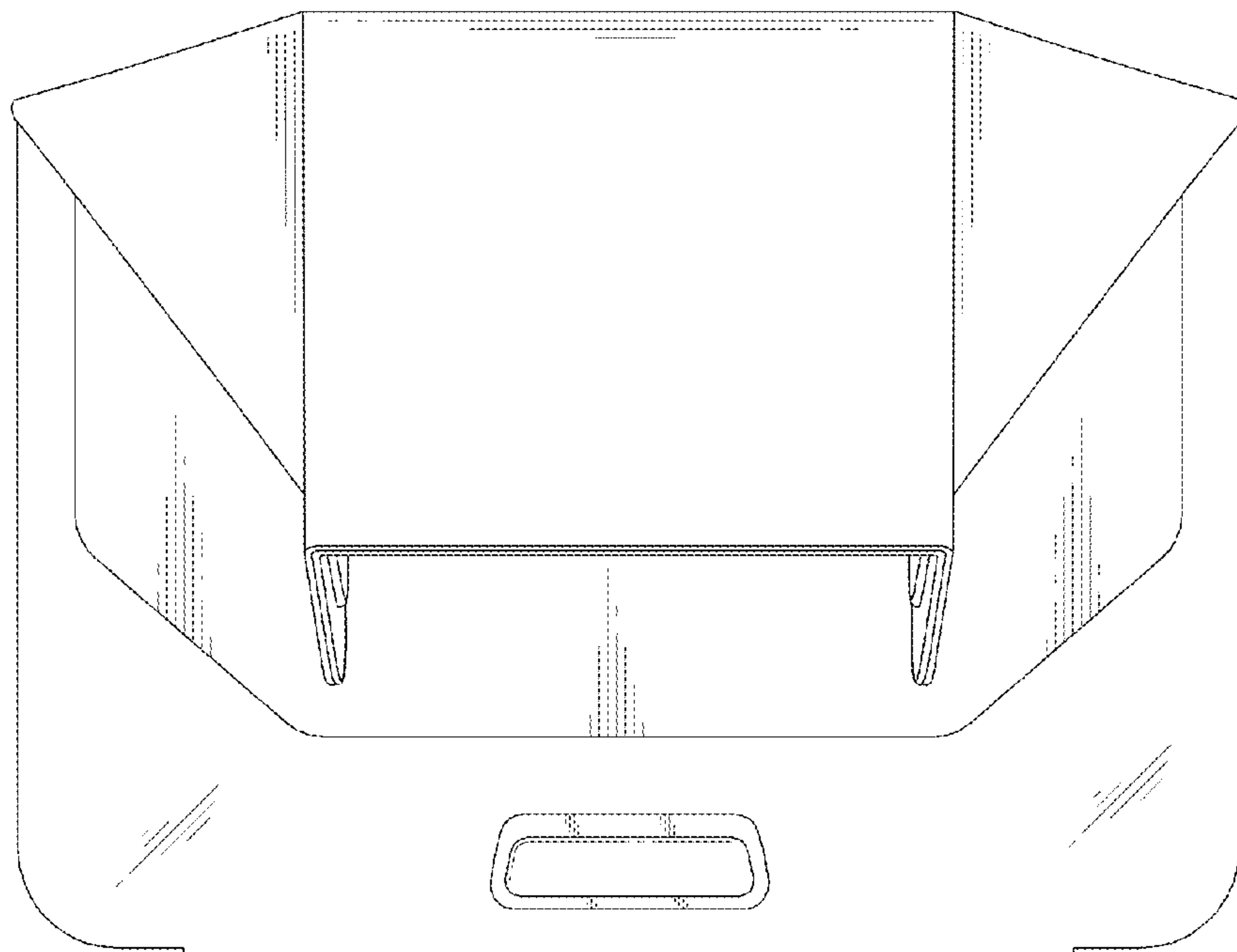


FIG. 13

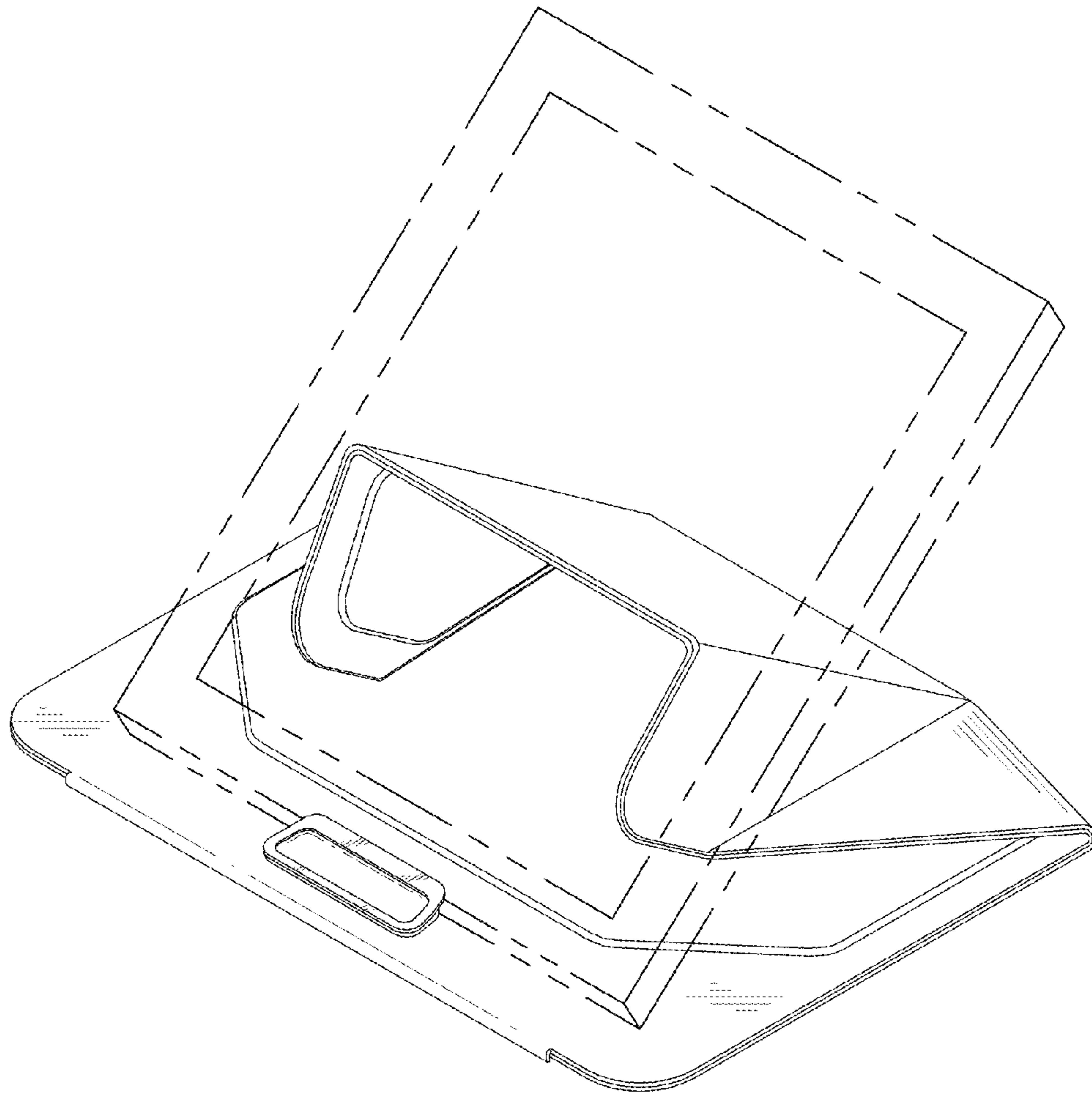


FIG. 14