



US00D673156S

(12) **United States Design Patent**  
**Detemple**

(10) **Patent No.:** **US D673,156 S**  
(45) **Date of Patent:** **\*\* Dec. 25, 2012**

(54) **PERSONAL ELECTRONIC DEVICE**  
**DOCKING STATION**

(76) Inventor: **Thomas Detemple**, Planegg (DE)

(\*\*) Term: **14 Years**

(21) Appl. No.: **29/386,580**

(22) Filed: **Mar. 2, 2011**

(30) **Foreign Application Priority Data**

Sep. 3, 2010 (DE) ..... 40 2010 004 093  
Feb. 21, 2011 (DE) ..... 40 2011 000 590

(51) **LOC (9) Cl.** ..... **14-02**

(52) **U.S. Cl.** ..... **D14/434**

(58) **Field of Classification Search** ..... D14/432-434,  
D14/314, 204, 420, 421, 447, 217, 358, 138 R,  
D14/140, 142; D13/107, 108, 146; D8/373;  
248/346.03, 176.1; 361/679.41, 679.31,  
361/679.32, 679.4, 679.43, 679.55, 679.58,  
361/679.33; 320/109, 112-115; 710/15,  
710/303; 455/557; 439/347, 534

See application file for complete search history.

(56) **References Cited**

**U.S. PATENT DOCUMENTS**

5,627,727	A *	5/1997	Aguilera et al.	.....	361/679.43
5,818,691	A	10/1998	McMahan et al.		
6,043,626	A *	3/2000	Snyder et al.	.....	320/113
6,068,496	A	5/2000	Penate		
D450,707	S *	11/2001	Francavilla et al.	.....	D14/434
6,625,015	B2 *	9/2003	Yin	.....	361/679.4
D490,083	S *	5/2004	Wu	.....	D14/439
D535,252	S *	1/2007	Sandnes	.....	D13/108
D556,129	S *	11/2007	Choi et al.	.....	D13/108
7,639,482	B1	12/2009	Griffin		
D653,202	S *	1/2012	Hasbrook et al.	.....	D13/103
2003/0116631	A1 *	6/2003	Salvato et al.	.....	235/472.01
2008/0018490	A1	1/2008	Struthers et al.		
2009/0073642	A1	3/2009	Jubelirer et al.		

**FOREIGN PATENT DOCUMENTS**

DE 102007053850 B3 4/2009  
GB 2413220 A 10/2005  
WO 2002021247 A1 3/2002

\* cited by examiner

*Primary Examiner* — Freda S Nunn

(74) *Attorney, Agent, or Firm* — Bryan W. Bockhop;  
Bockhop & Associates, LLC

(57) **CLAIM**

The ornamental design for a personal electronic device dock-  
ing station, as shown and described.

**DESCRIPTION**

FIG. 1 is a front elevational view of my new ornamental  
design for a personal electronic device docking station in a  
closed position.

FIG. 2 is a right side elevational view of the personal elec-  
tronic device docking station shown in FIG. 1, the left side  
view being a reflection thereof.

FIG. 3 is a top plan view of the personal electronic device  
docking station shown in FIG. 1.

FIG. 4 is a bottom plan view of the personal electronic device  
docking station shown in FIG. 1.

FIG. 5 is a rear elevational view of the personal electronic  
device docking station shown in FIG. 1.

FIG. 6 is a front elevational view of the personal electronic  
device docking station shown in FIG. 1, in an opened position  
to receive a personal electronic device therein.

FIG. 7 is a right side elevational view of the personal elec-  
tronic device docking station as shown in FIG. 6.

FIG. 8 is a top plan view of the personal electronic device  
docking station as shown in FIG. 6.

FIG. 9 is a bottom plan view of the personal electronic device  
docking station as shown in FIG. 6.

FIG. 10 is a front elevational view of the personal electronic  
device docking station as shown in FIG. 6, showing it in the  
context of its use with a personal electronic device (which is  
not part of the design and is shown in broken lines) mounted  
thereon.

FIG. 11 is a right side view of the personal electronic device  
docking station as shown in FIG. 10.

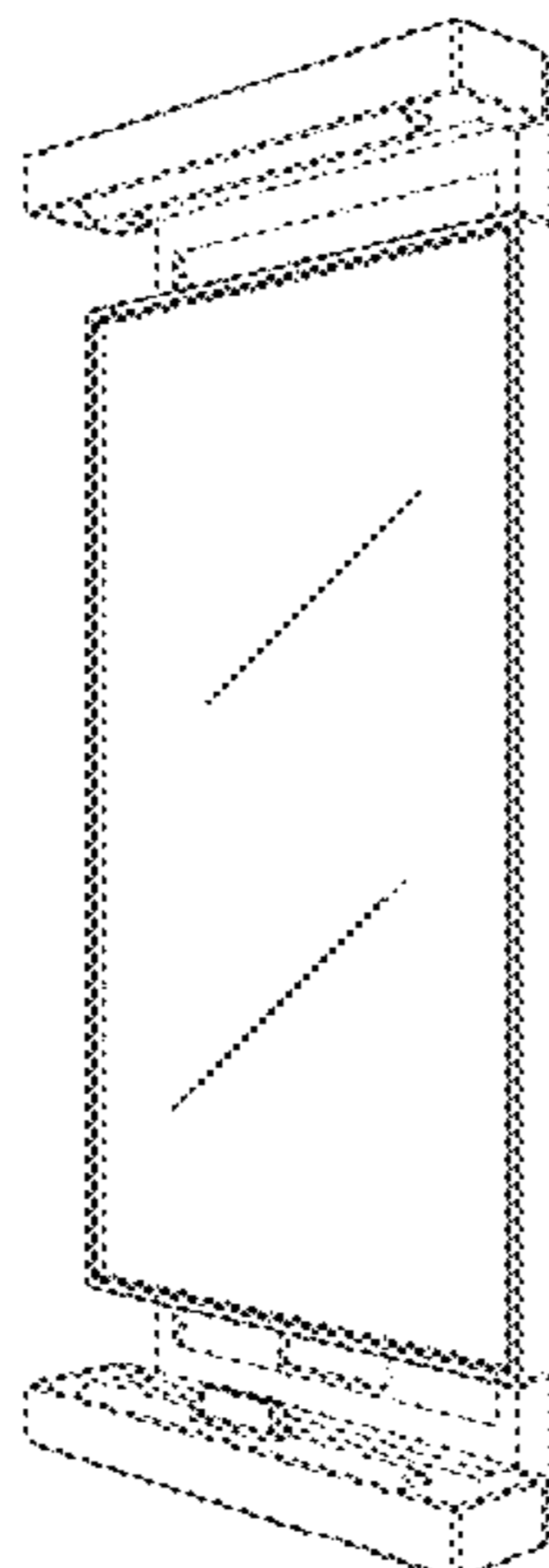


FIG. **12** is a top plan view of the personal electronic device docking station as shown in FIG. **10**.

FIG. **13** is a bottom plan view of the personal electronic device docking station as shown in FIG. **10**.

FIG. **14** is a right side perspective view of the personal electronic device docking station shown in FIG. **1**.

FIG. **15** is a right side perspective view of the personal electronic device docking station as shown in FIG. **6**.

FIG. **16** is a right side perspective exploded view of the personal electronic device docking station as shown in FIG. **6**, showing in the context of holding a photograph (which is not part of the design and is shown in broken lines).

FIG. **17** is a right side perspective view of the personal electronic device docking station as shown in FIG. **6**, showing in the context of holding a personal electronic device (which is not part of the design and is shown in broken lines).

FIG. **18** is a right side perspective view of the personal electronic device docking station shown in FIG. **1** in the context of being mounted in a wall (which is not part of the design and is shown in broken lines).

FIG. **19** is a right side perspective view of the personal electronic device docking station as shown in FIG. **6** in the context of being mounted in a wall (which is not part of the design and is shown in broken lines).

FIG. **20** is a right side perspective view of the personal electronic device docking station as shown in FIG. **6**, in the context of a personal electronic device (which is not part of the design and is shown in broken lines) is mounted thereon; and,

FIG. **21** is a rear perspective view of the personal electronic device docking station shown in FIG. **1**.

The broken lines are shown in the drawings for environmental purposes only and form no part of the claimed design.

**1 Claim, 6 Drawing Sheets**

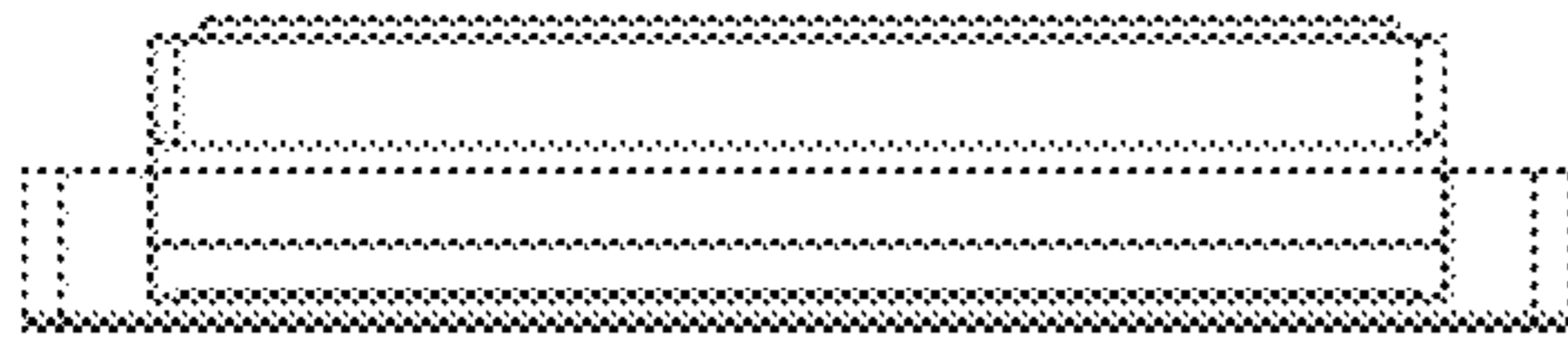


FIG. 3

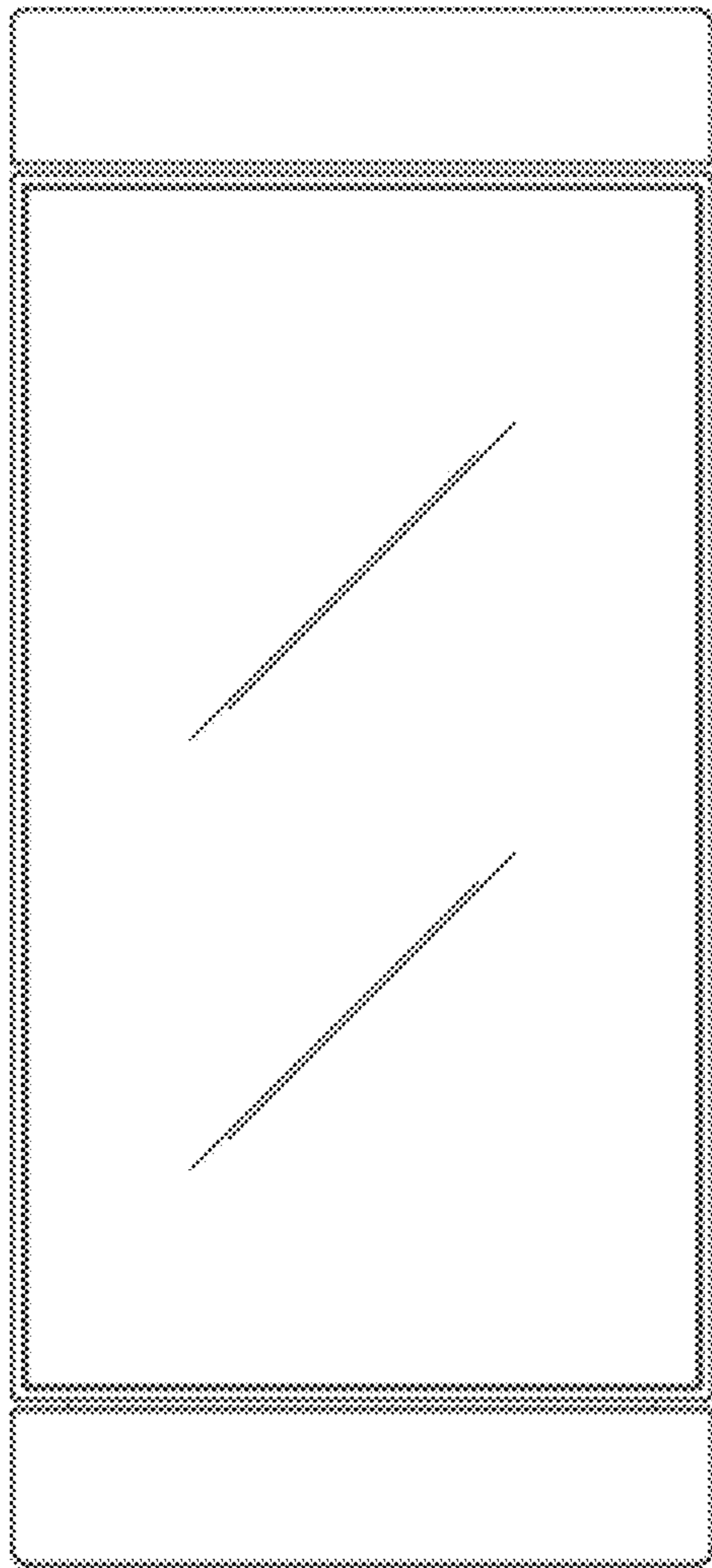


FIG. 1

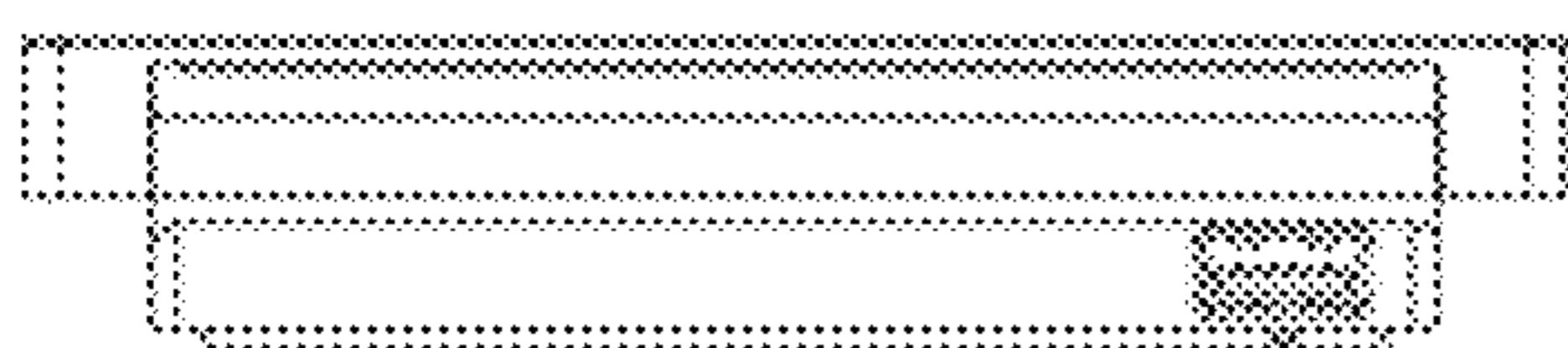


FIG. 4

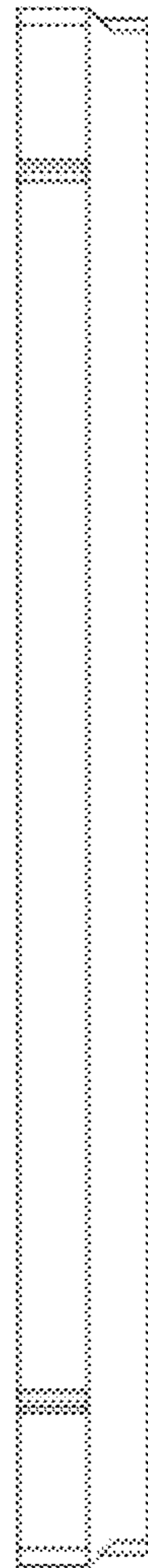


FIG. 2

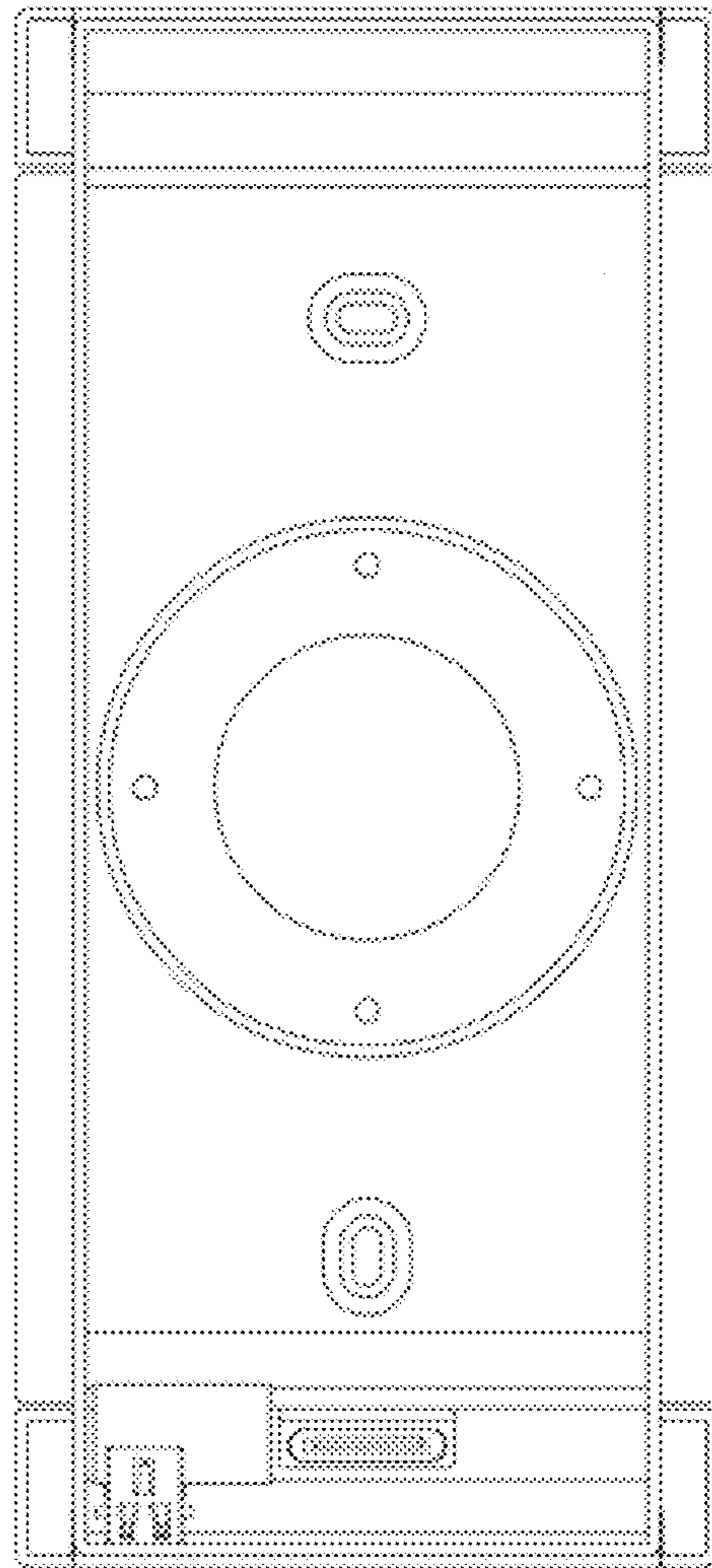


FIG. 5

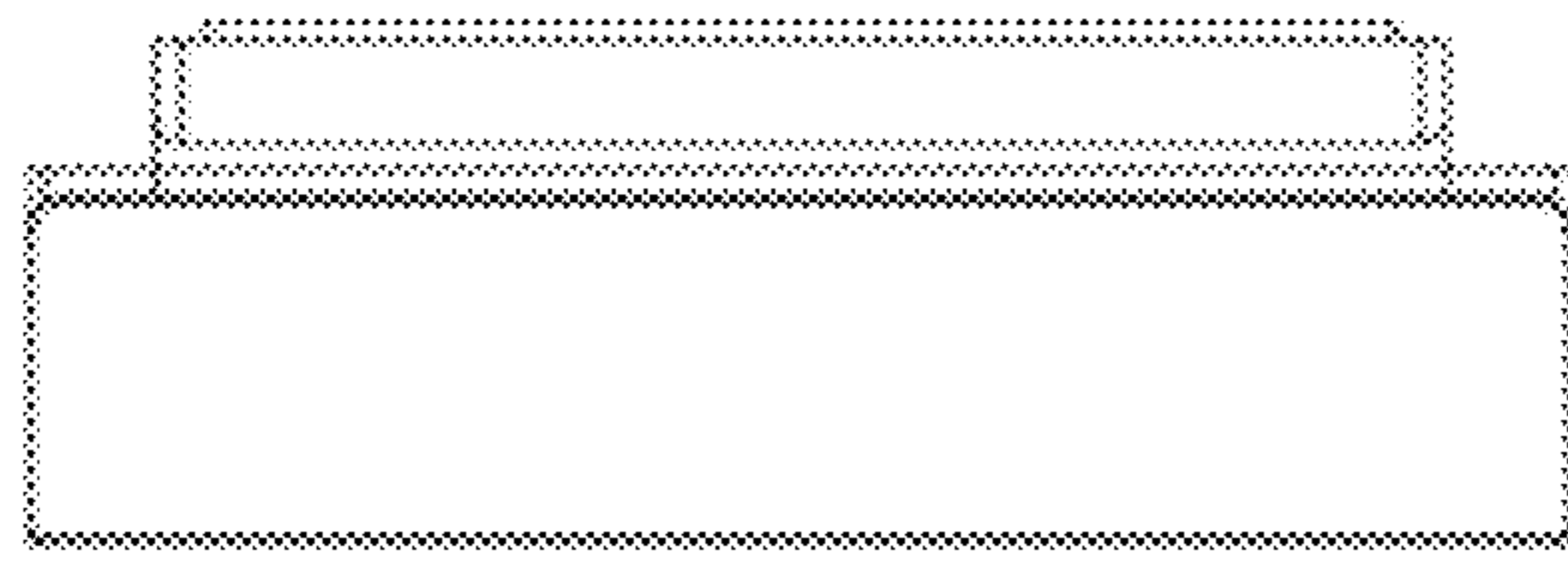


FIG. 8

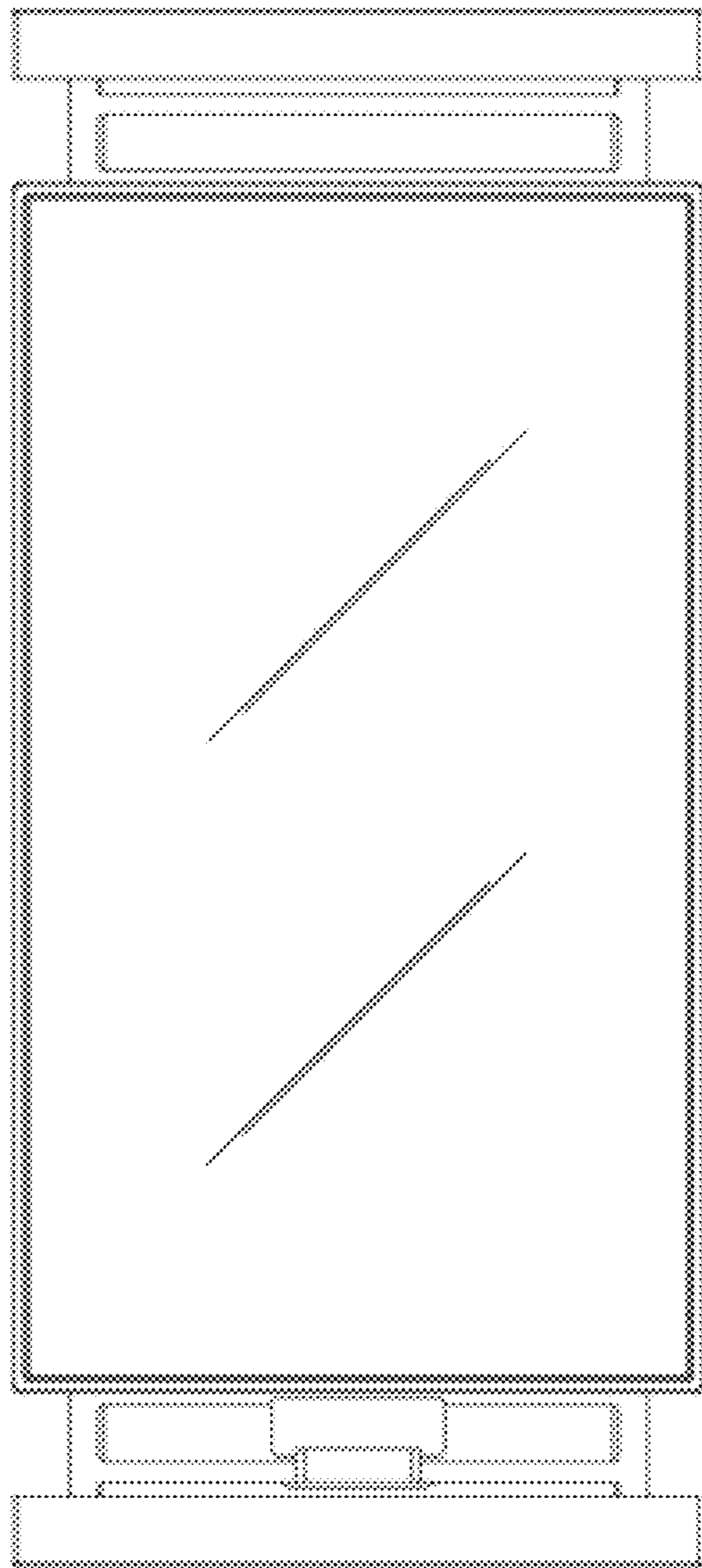


FIG. 6

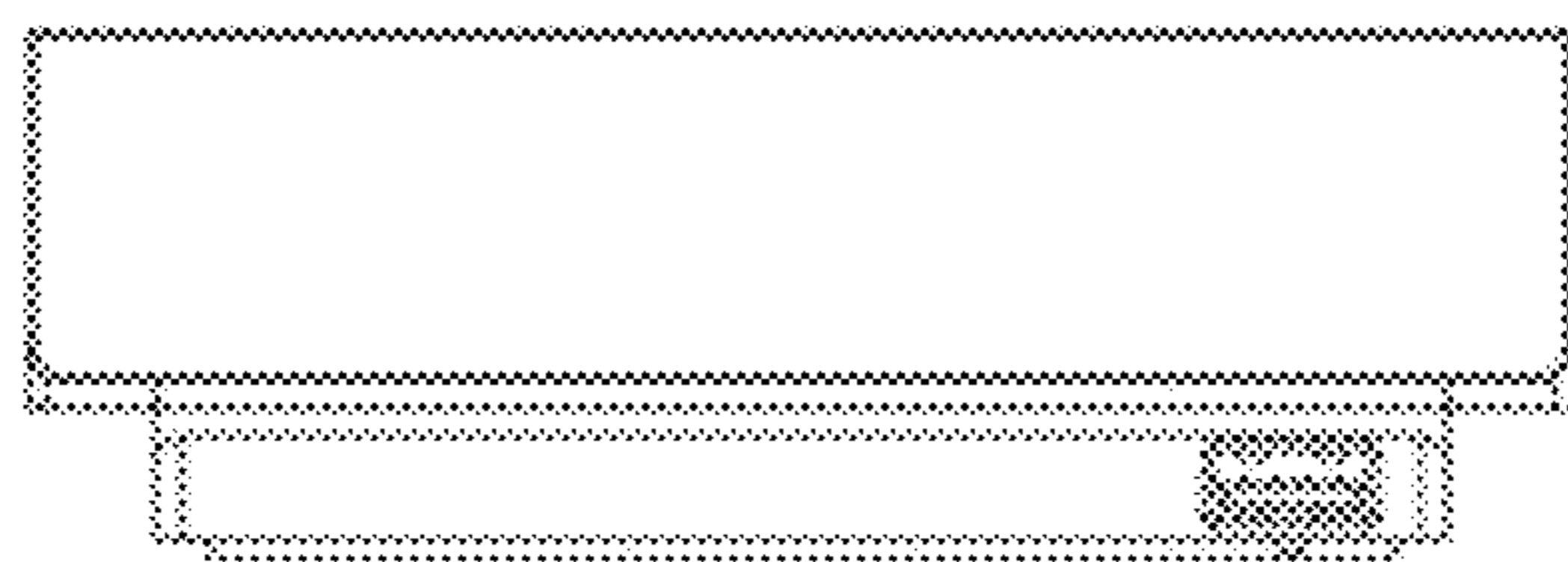


FIG. 9

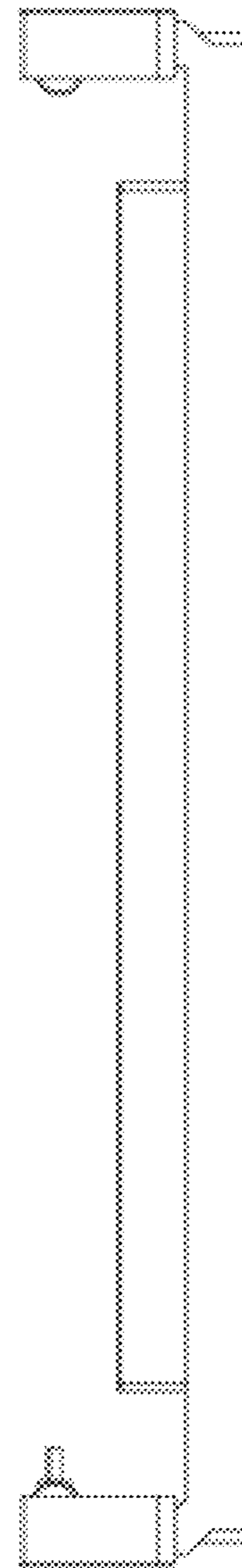


FIG. 7

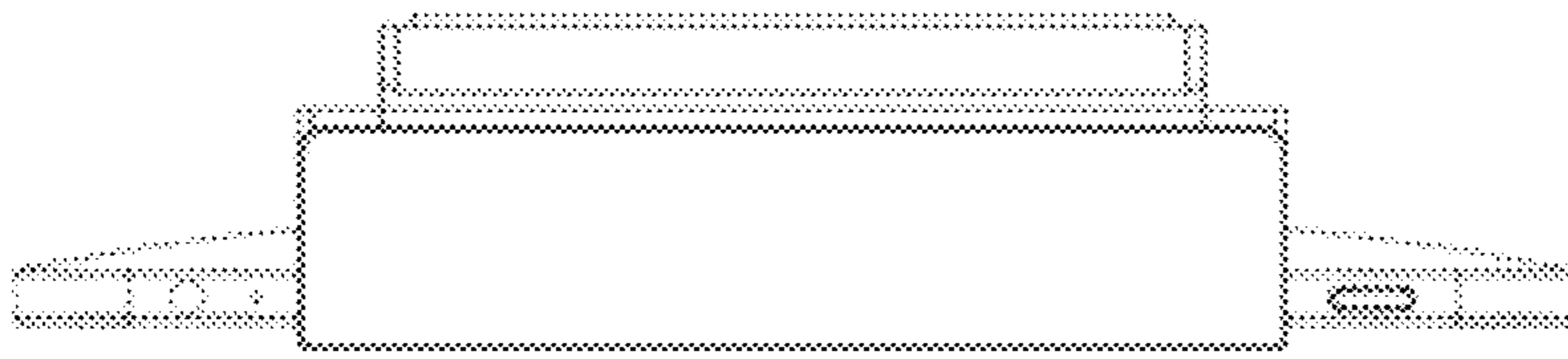


FIG. 12

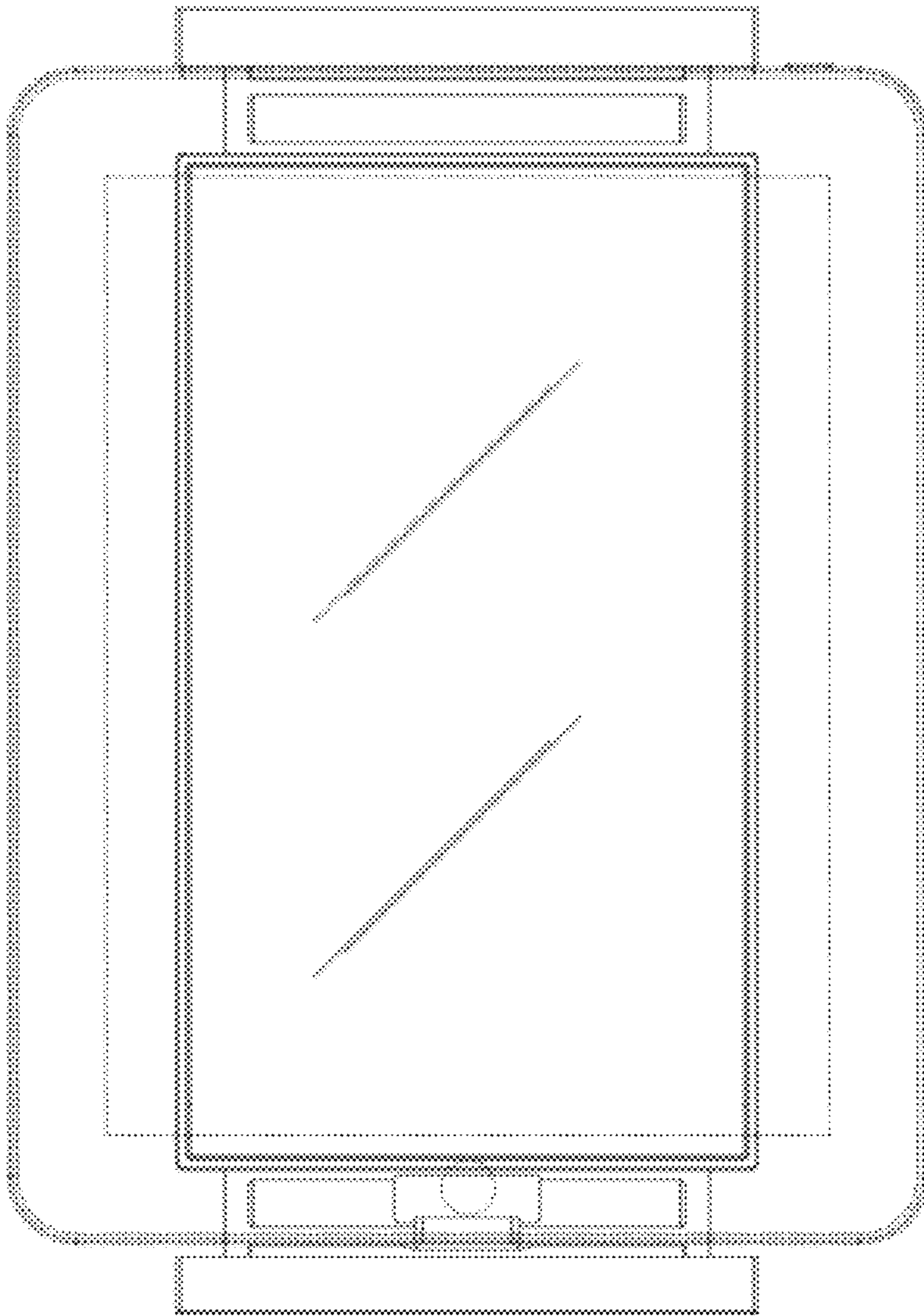


FIG. 10

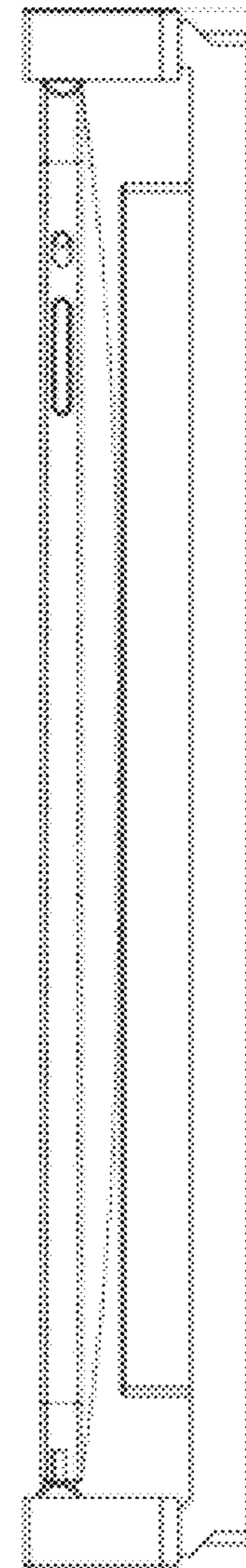


FIG. 11

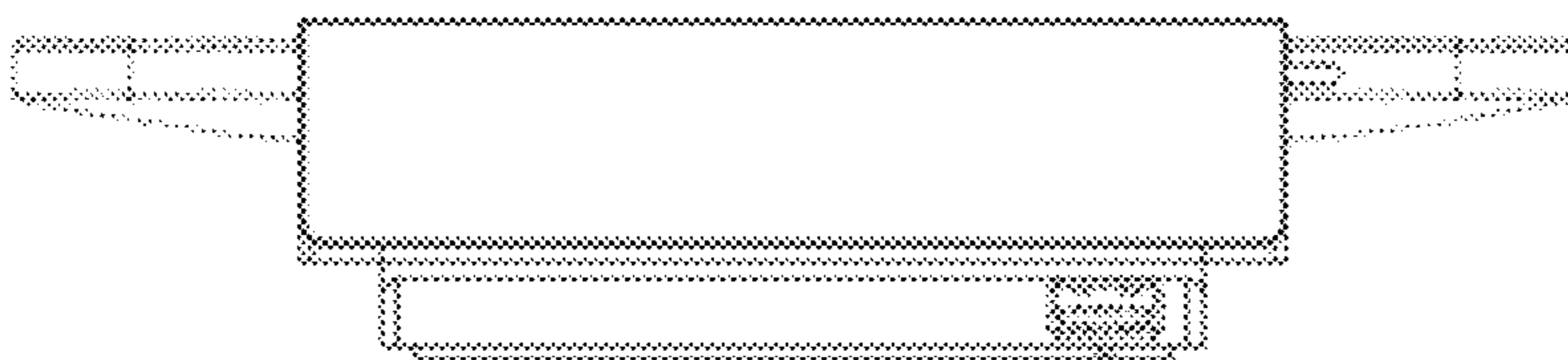


FIG. 13

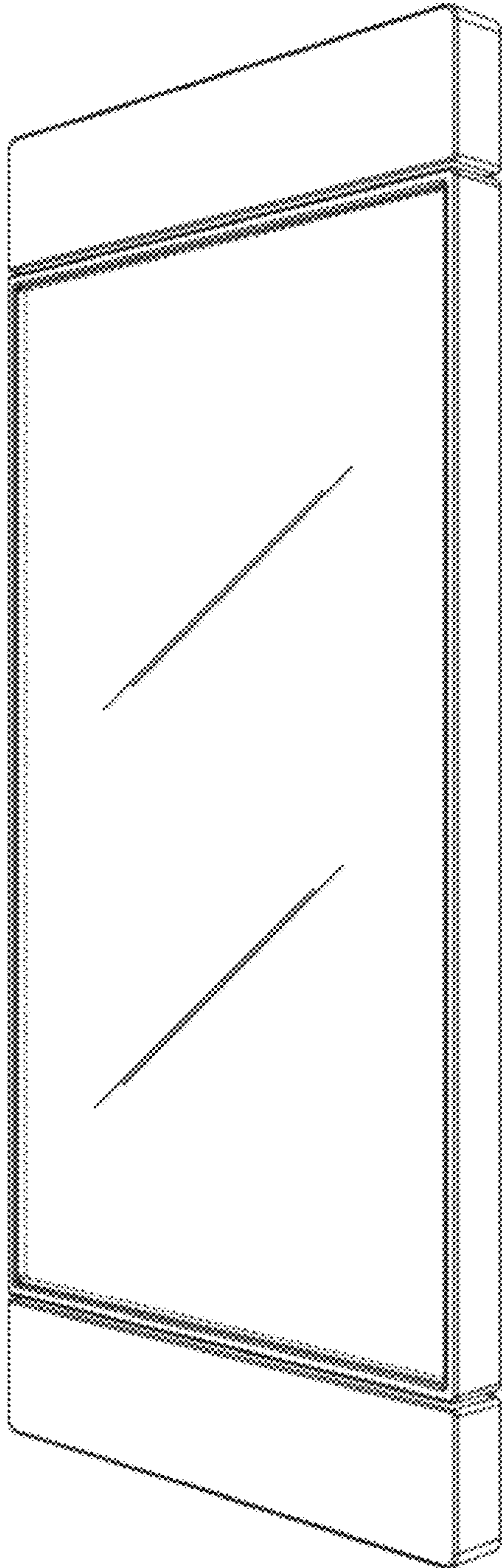


FIG. 14

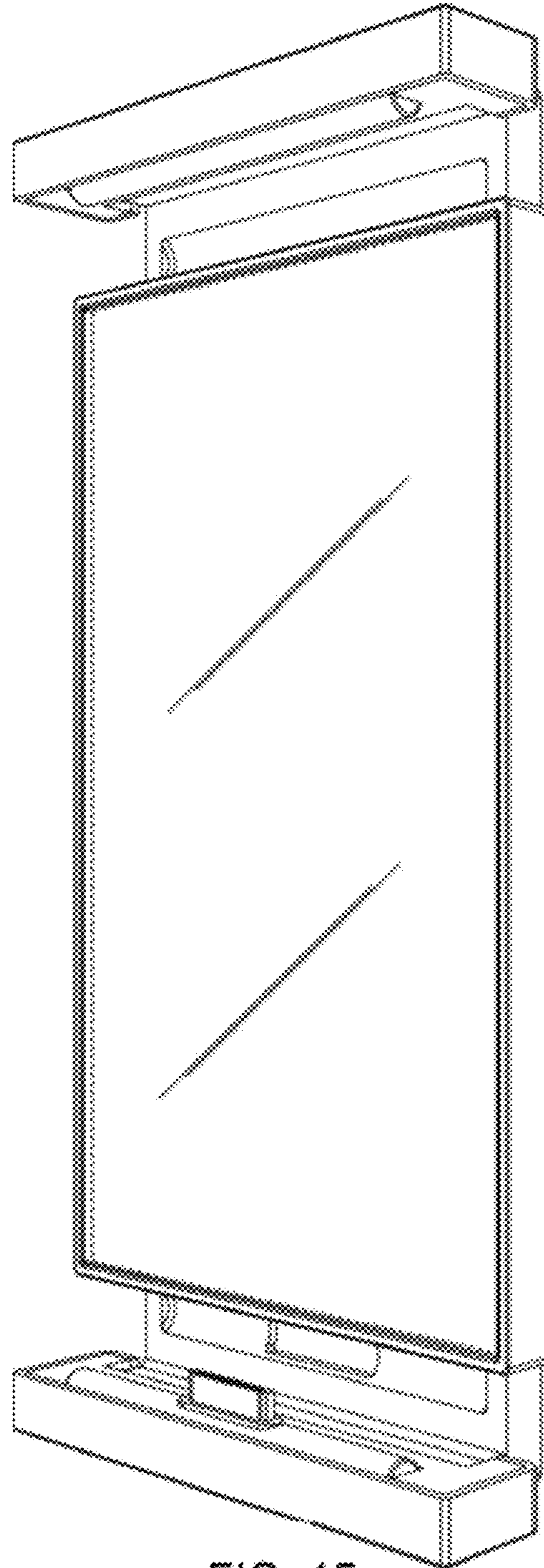


FIG. 15

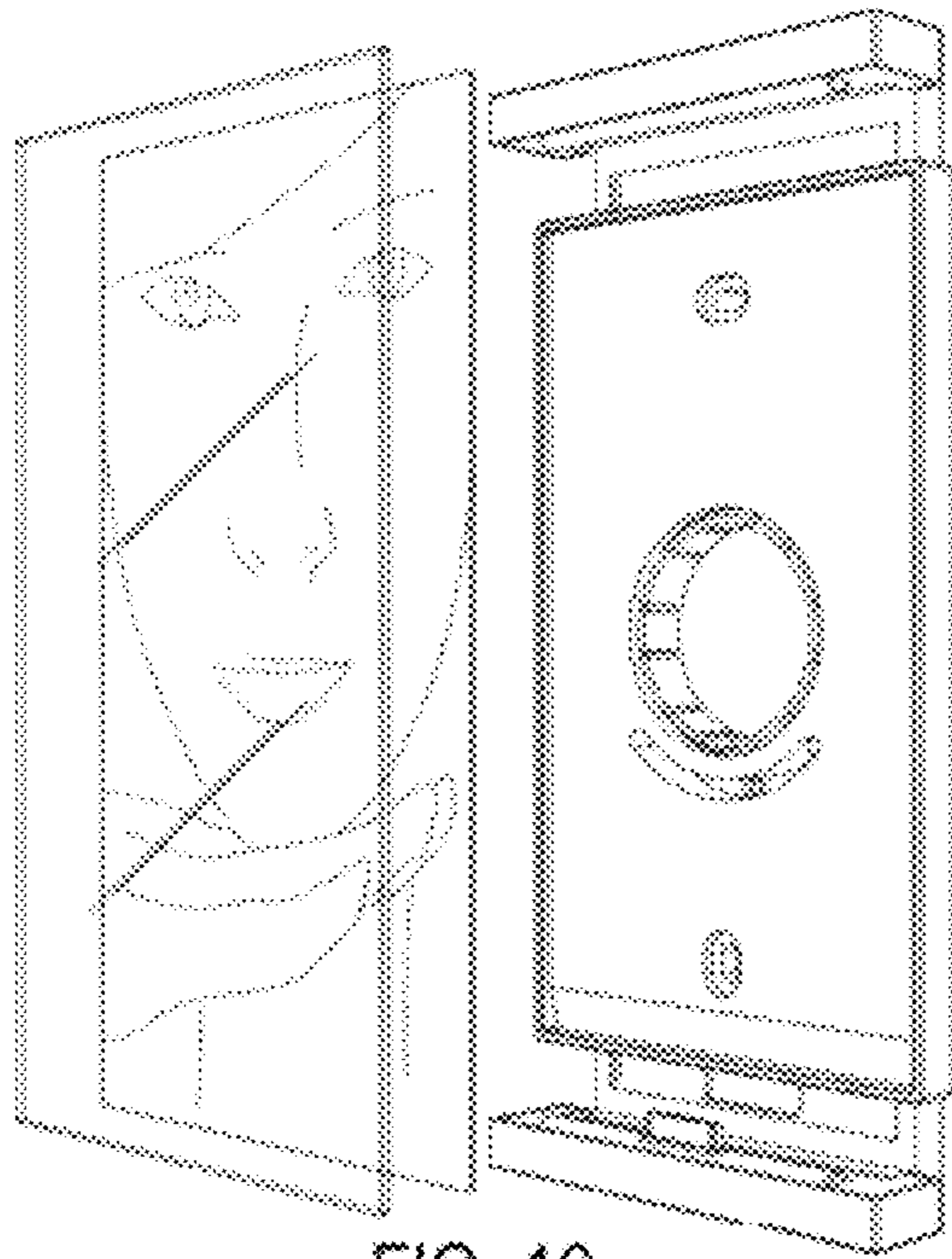


FIG. 16

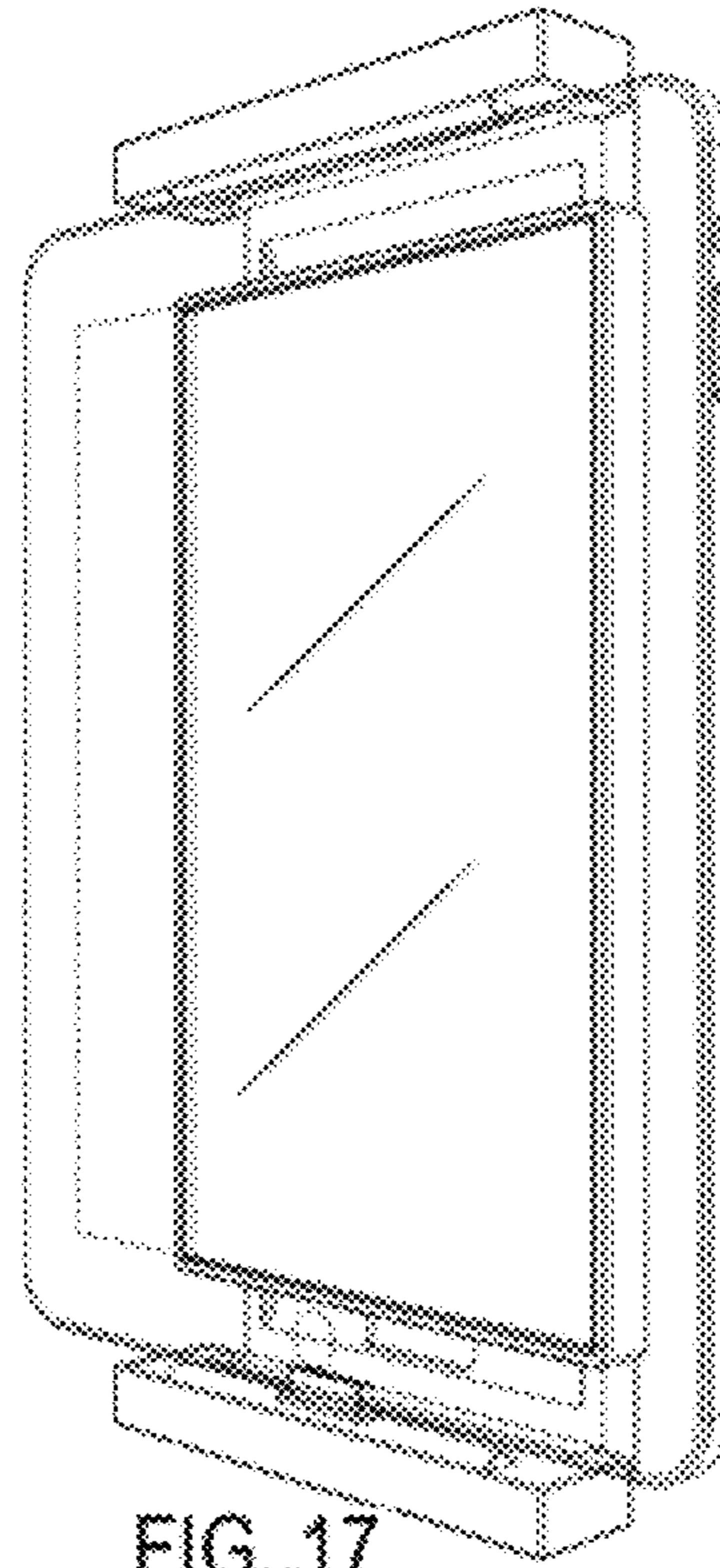


FIG. 17

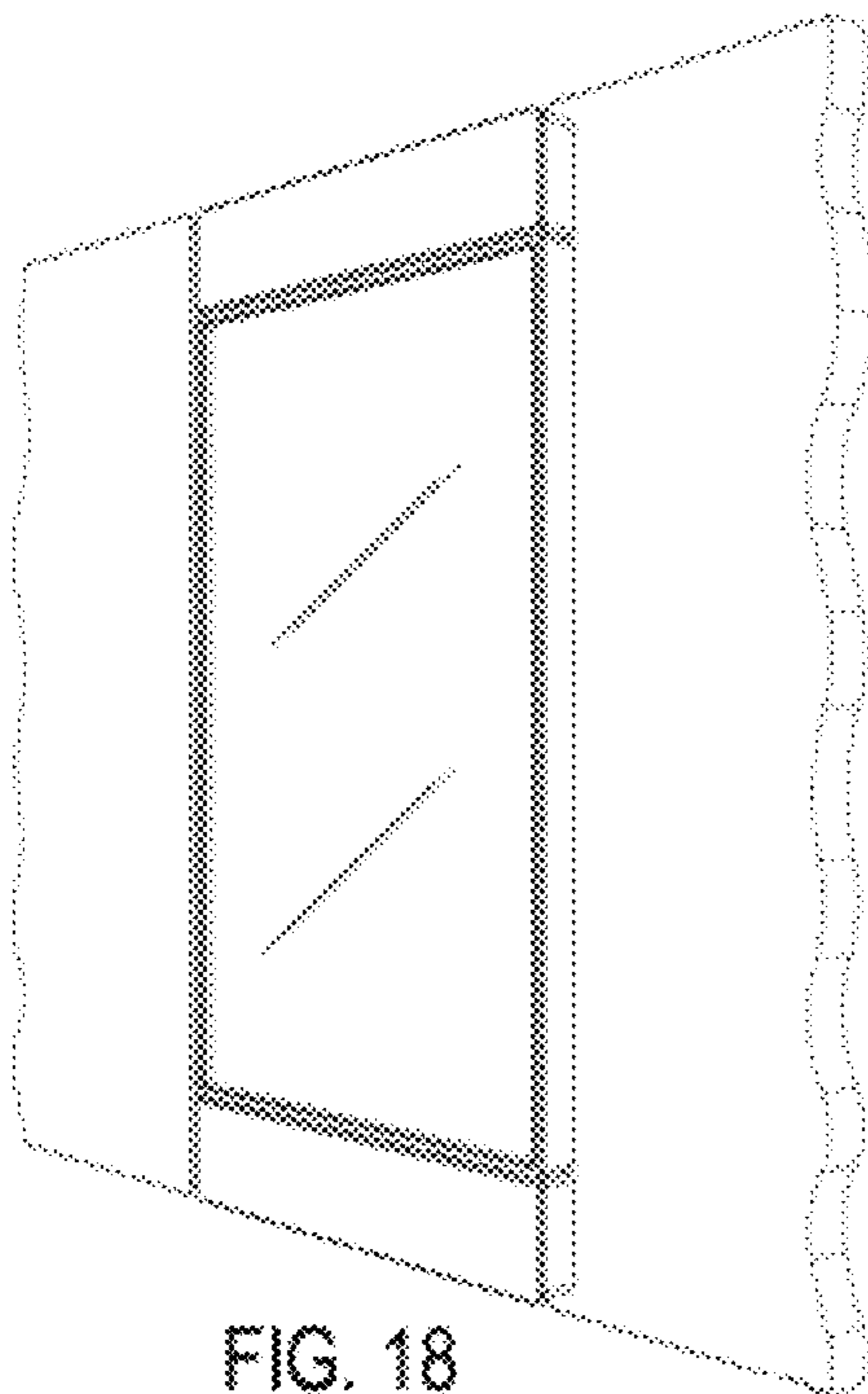


FIG. 18

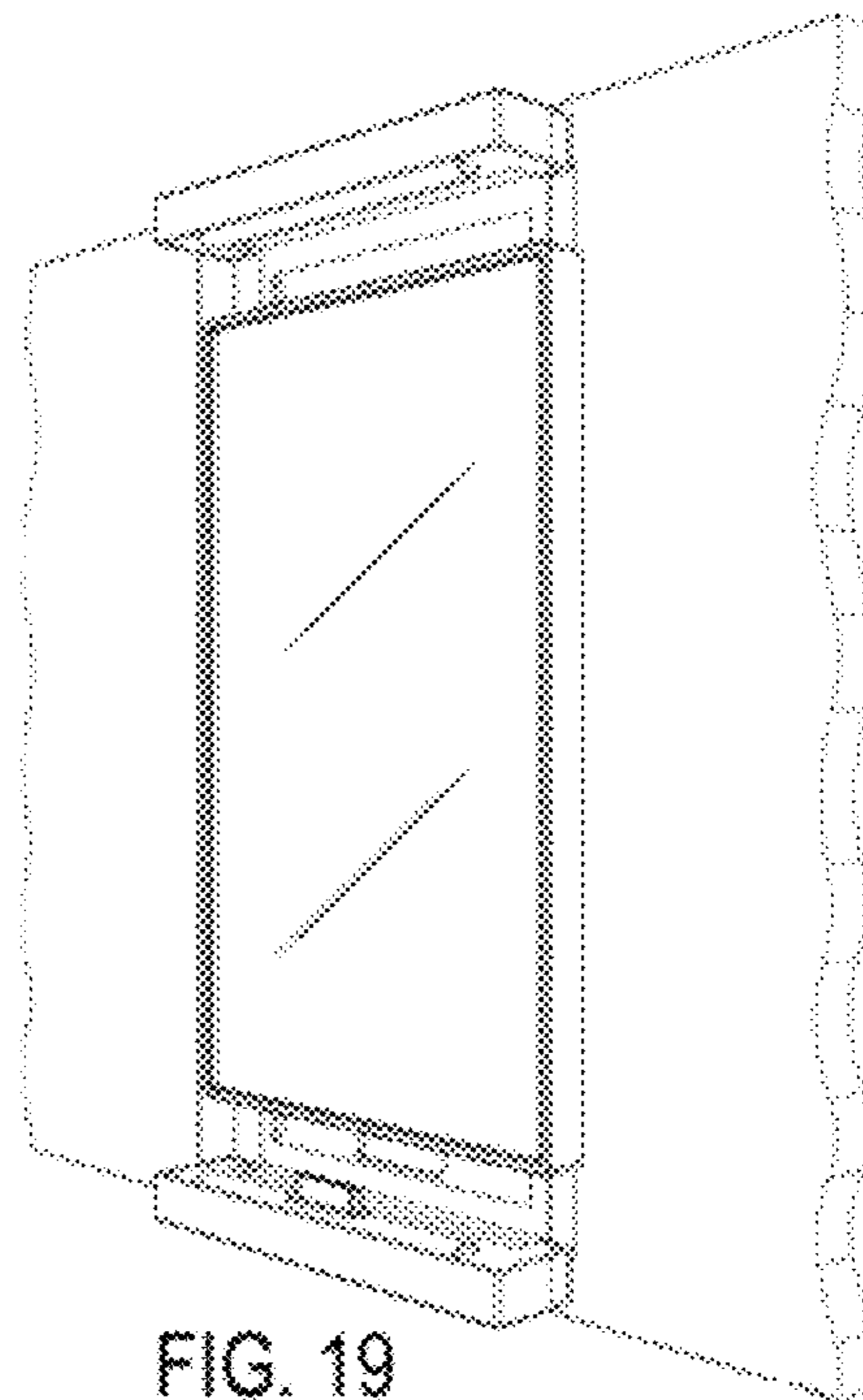


FIG. 19

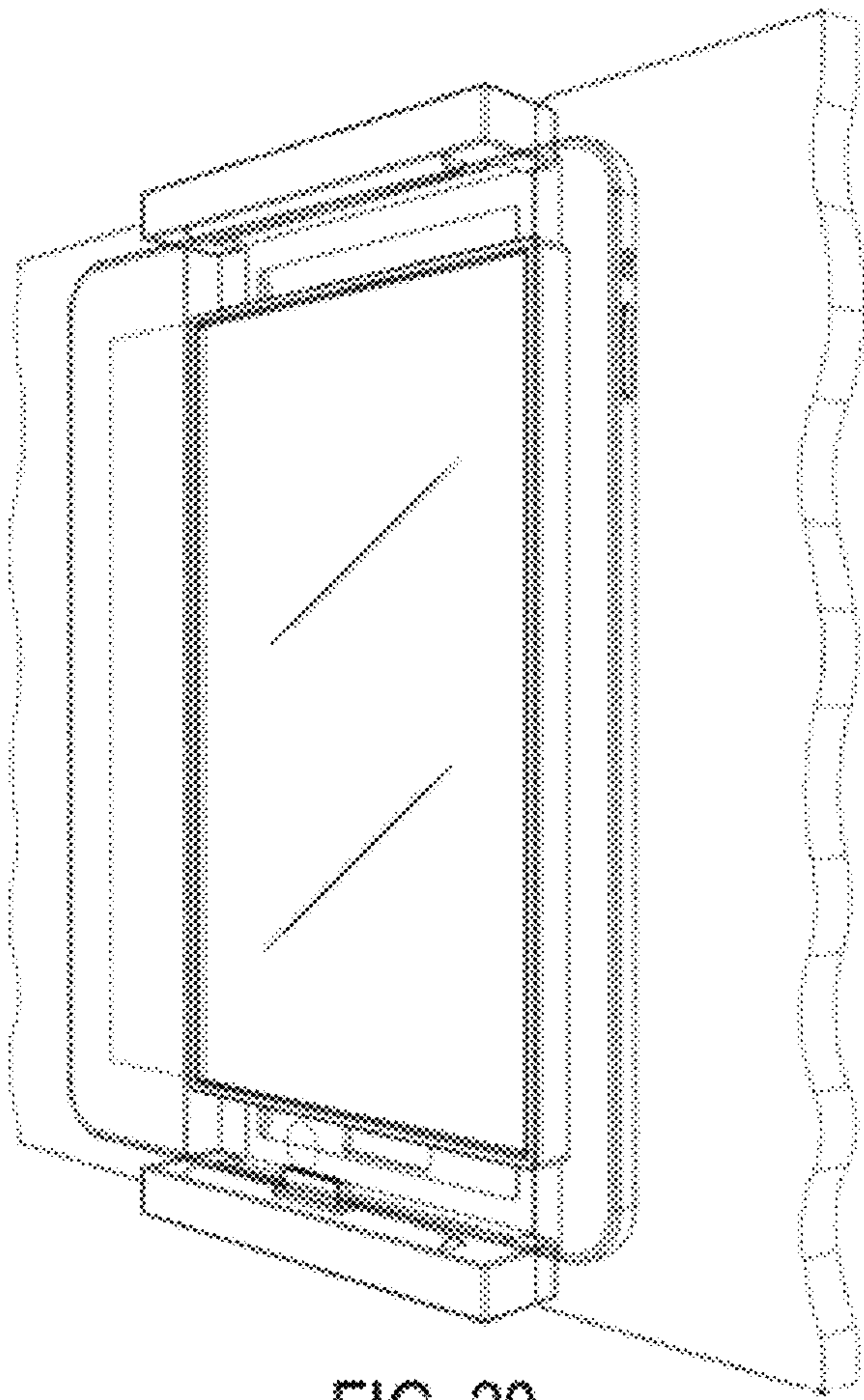


FIG. 20

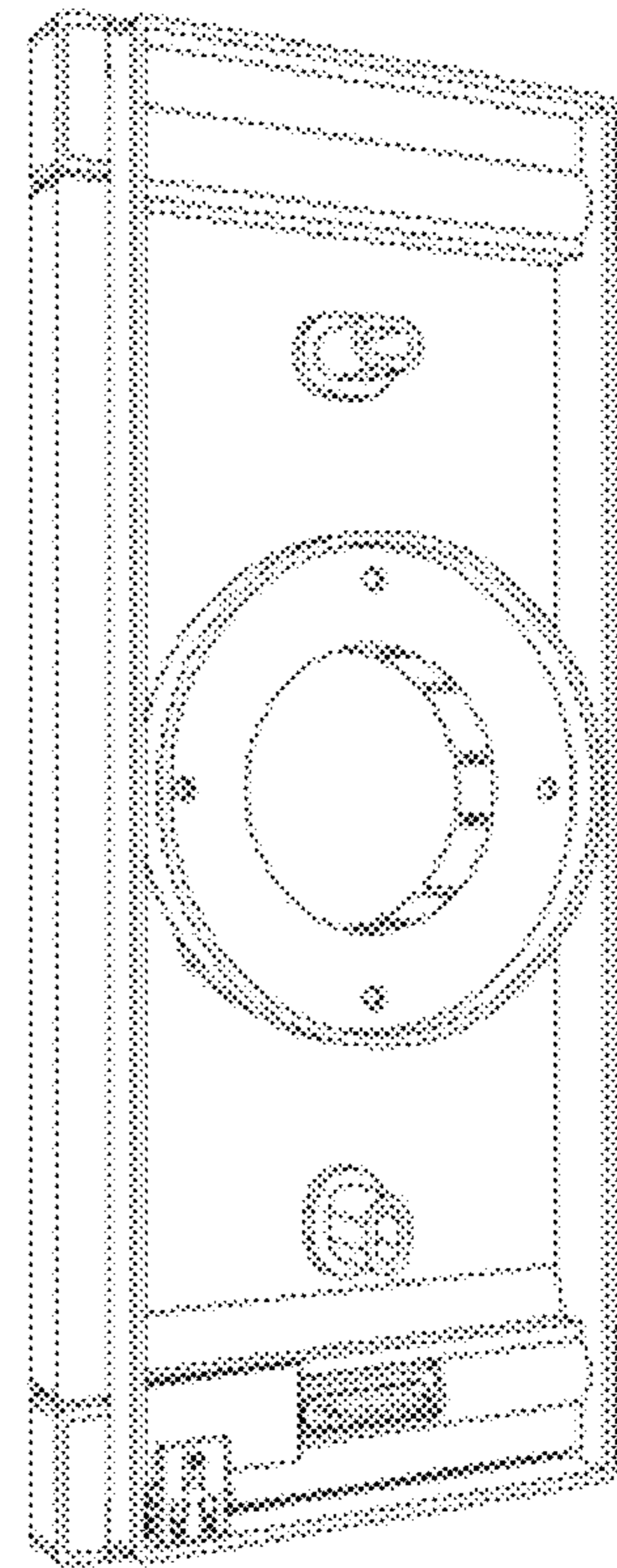


FIG. 21