



US00D673155S

(12) **United States Design Patent**
Sugitani et al.

(10) **Patent No.:** **US D673,155 S**
(45) **Date of Patent:** **** Dec. 25, 2012**

(54) **SCANNER**

(75) Inventors: **Minoru Sugitani**, Kahoku (JP); **Satoshi Kuroda**, Kahoku (JP); **Masaaki Yamashita**, Kahoku (JP); **Toshiki Satoji**, Milan (IT); **Alvise Gangarossa**, Milan (IT)

(73) Assignee: **PFU Limited**, Ishikawa (JP)

(**) Term: **14 Years**

(21) Appl. No.: **29/404,709**

(22) Filed: **Oct. 25, 2011**

(30) **Foreign Application Priority Data**

Jun. 16, 2011 (JP) 2011-013631

(51) **LOC (9) Cl.** **14-02**

(52) **U.S. Cl.** **D14/423**

(58) **Field of Classification Search** D14/420-425;
D16/232, 229, 235, 221, 135; D18/36; 353/115,
353/119, 122, DIG. 3, DIG. 4; 396/155,
396/133, 86; 358/474-498; 348/370, 373,
348/376, 374, 375; 248/187.1, 593, 276.1,
248/281.11; D26/63, 65, 64, 62, 135, 61,
D26/107, 109, 51

See application file for complete search history.

(56) **References Cited**

U.S. PATENT DOCUMENTS

D79,072 S *	7/1929	Green	D26/51
D99,030 S *	3/1936	Jackson	D26/107
D125,003 S *	2/1941	Rogers	D26/109
D127,488 S *	5/1941	Livers	D26/109
D146,116 S *	12/1946	Masterson	D26/63
D150,404 S *	8/1948	Coen	D26/51
D150,940 S *	9/1948	Goebel	D26/107
D151,605 S *	11/1948	Dolan	D26/64
D162,639 S *	3/1951	Fiori	D26/60
D164,668 S *	10/1951	Carrithers	D26/107
D173,535 S *	11/1954	Mugnai	D26/107
D176,550 S *	1/1956	Mugnai	D26/63
D188,506 S *	8/1960	Bobrick	D26/65

D191,851 S *	11/1961	Lazor	D16/135
D192,645 S *	4/1962	Bodian	D26/65
D194,995 S *	4/1963	Hoogesteger et al.	D16/135
D207,063 S *	2/1967	Sovatsky	D26/64
D207,597 S *	5/1967	Bodian	D26/65
D209,079 S *	10/1967	Andre	D26/107
D214,191 S *	5/1969	Rudd	D26/51
D215,480 S *	10/1969	Froelich	D26/65
D216,912 S *	3/1970	Daito	D26/65
D243,549 S *	3/1977	Neveux	D26/66
D278,348 S *	4/1985	Horgan	D16/135
D278,937 S *	5/1985	Peeler et al.	D26/65
D284,087 S *	6/1986	Haidinger	D16/135
D284,310 S *	6/1986	Schaffer et al.	D26/65
D285,120 S *	8/1986	Krogstad	D26/65
D286,082 S *	10/1986	Shwisha	D26/61
D293,135 S *	12/1987	Medema et al.	D26/61
D293,940 S *	1/1988	Lasker	D26/65
D296,328 S *	6/1988	Austin et al.	D14/423
D301,633 S *	6/1989	Shwisha	D26/63
D302,683 S *	8/1989	Iwasaki et al.	D14/423

(Continued)

Primary Examiner — Susan Moon Lee

(74) *Attorney, Agent, or Firm* — RatnerPrestia

(57) **CLAIM**

The ornamental design for a scanner, as shown and described.

DESCRIPTION

FIG. 1 is a front perspective view of a scanner showing our new design;

FIG. 2 is a front view thereof;

FIG. 3 is a rear view thereof;

FIG. 4 is a right side view thereof;

FIG. 5 is a left side view thereof;

FIG. 6 is a top plan view thereof;

FIG. 7 is a bottom plan view thereof;

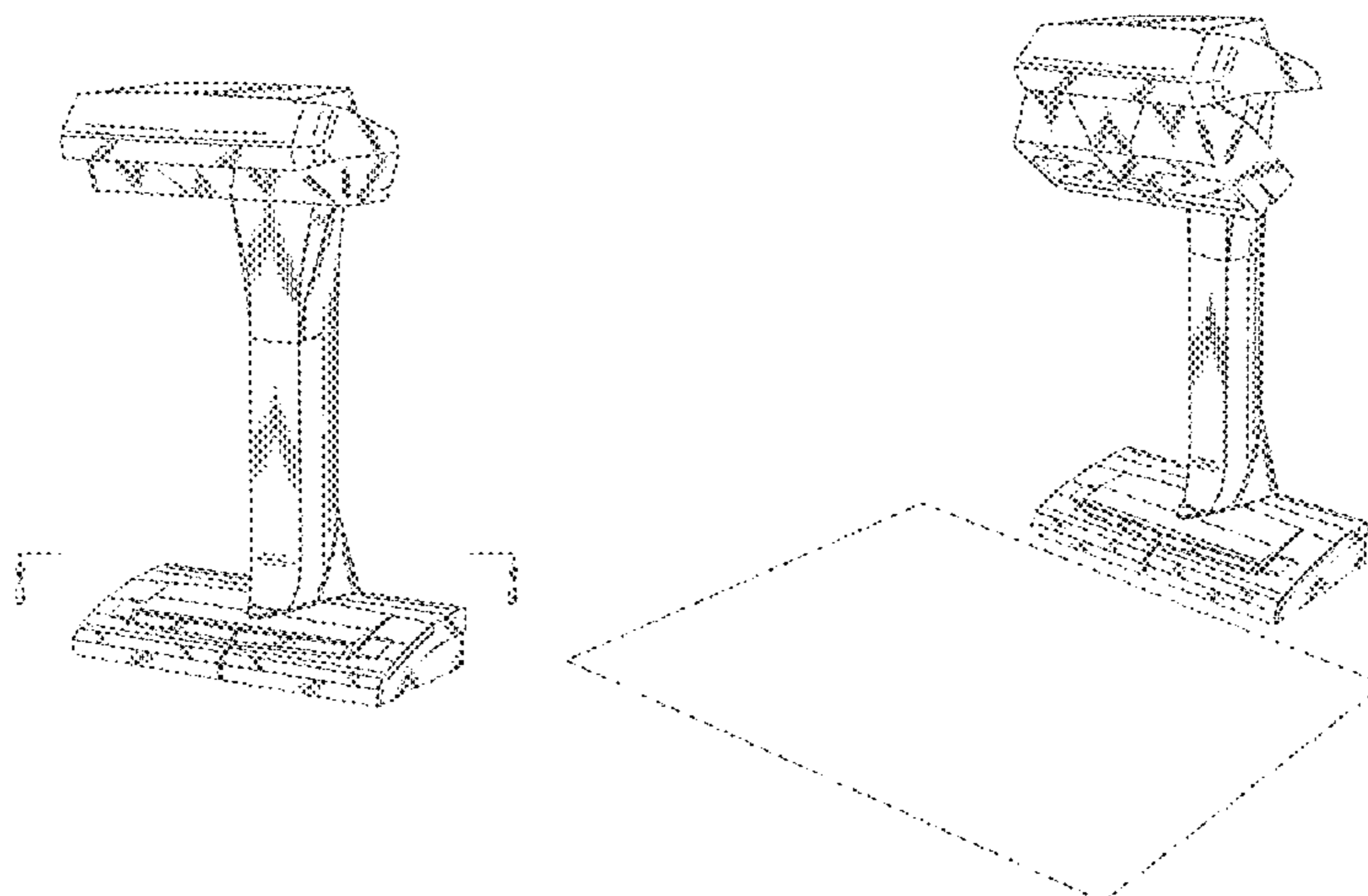
FIG. 8 is an environmental perspective view of the scanner shown extended, in use;

FIG. 9 is an enlarged, fragmentary view taken along a 9-9 line of FIG. 1; and,

FIG. 10 is an enlarged, fragmentary view taken along a 10-10 line of FIG. 2.

Broken lines and portions contained within broken lines are not claimed.

1 Claim, 6 Drawing Sheets



US D673,155 S

Page 2

U.S. PATENT DOCUMENTS

D304,242	S *	10/1989	Strater	D26/65
D305,228	S *	12/1989	Allgeier	D14/423
D309,661	S *	7/1990	Shwisha	D26/51
4,958,913	A *	9/1990	Schaffer	359/819
D319,889	S *	9/1991	Lu	D26/51
D321,951	S *	11/1991	Dieperink	D26/107
D325,027	S *	3/1992	Wallace et al.	D14/423
D325,102	S *	3/1992	Ramond	D26/62
D326,334	S *	5/1992	Meyer et al.	D26/65
D326,335	S *	5/1992	Meyer et al.	D26/65
D328,358	S *	7/1992	Tsang	D26/62
D328,909	S *	8/1992	Sakurai	D16/135
D331,987	S *	12/1992	Dieperink et al.	D26/109
D334,759	S *	4/1993	Meyer et al.	D16/135
D337,842	S *	7/1993	Yuen	D26/65
D339,649	S *	9/1993	Klossner	D26/63
D341,672	S *	11/1993	Yuen	D26/65
D341,673	S *	11/1993	Yuen	D26/65
D348,742	S *	7/1994	Rorke et al.	D26/51
D356,390	S *	3/1995	Gismondi et al.	D26/107
D356,876	S *	3/1995	Waldmann	D26/107
D369,353	S *	4/1996	Hofmann-Igl	D14/423
D377,990	S *	2/1997	Nakano	D26/65
D377,993	S *	2/1997	Herst et al.	D26/107
D386,157	S *	11/1997	Hasegawa	D14/423
D388,107	S *	12/1997	Huckins	D16/208
D394,727	S *	5/1998	Larkin	D26/109
D408,092	S *	4/1999	Schaak	D26/62
D411,520	S *	6/1999	Iwakawa et al.	D14/423
D411,833	S *	7/1999	Iwakawa et al.	D14/423
D414,578	S *	9/1999	Chen et al.	D26/65
D419,170	S *	1/2000	Ono et al.	D16/208
D443,093	S *	5/2001	Chiang	D26/65
D476,346	S *	6/2003	Fujii	D16/208
D478,682	S *	8/2003	Abry	D26/65
D522,159	S *	5/2006	Chan	D26/63
D544,008	S *	6/2007	Stewart	D16/135
D559,431	S *	1/2008	Mota Veiga et al.	D26/118
D564,117	S *	3/2008	Lippert	D26/61
D581,077	S *	11/2008	Levine	D26/62
D581,570	S *	11/2008	Levine	D26/62
D600,385	S *	9/2009	Lippert	D26/62
D621,981	S *	8/2010	McAtamney et al.	D26/61
D625,450	S *	10/2010	Rosenkrantz et al.	D26/61
2011/0299136	A1 *	12/2011	Kubo et al.	358/474

* cited by examiner

Fig. 1

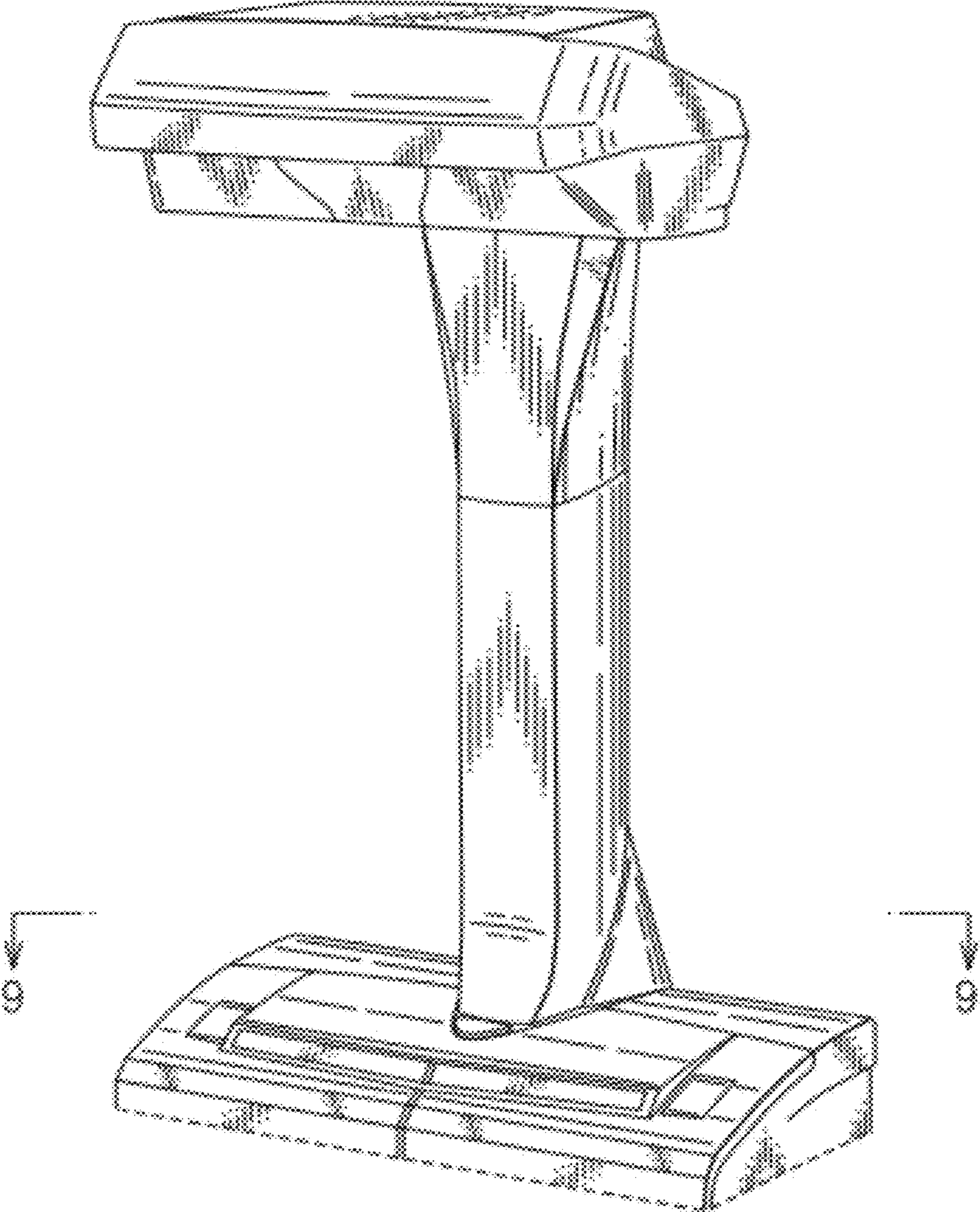


Fig. 2

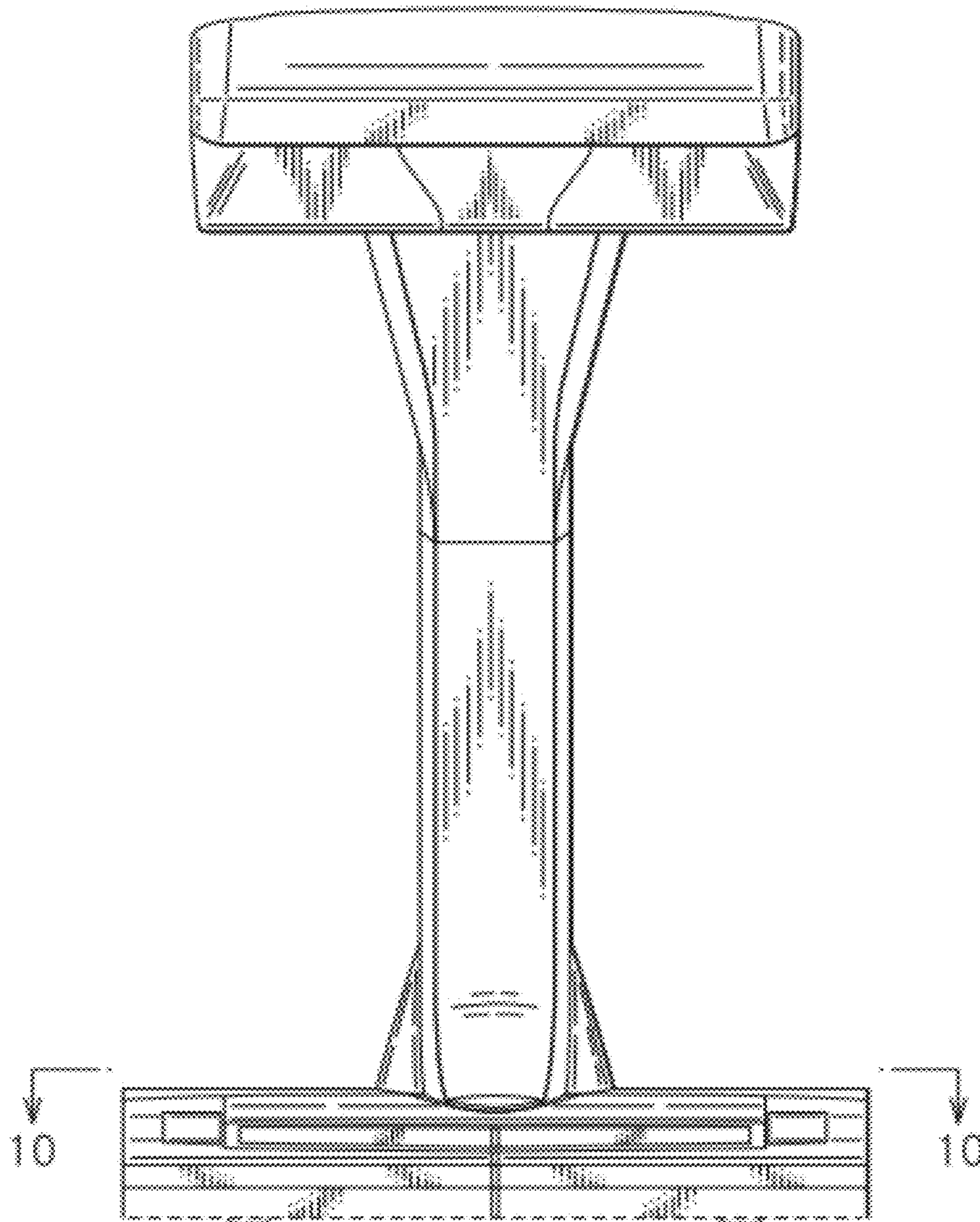


Fig. 3

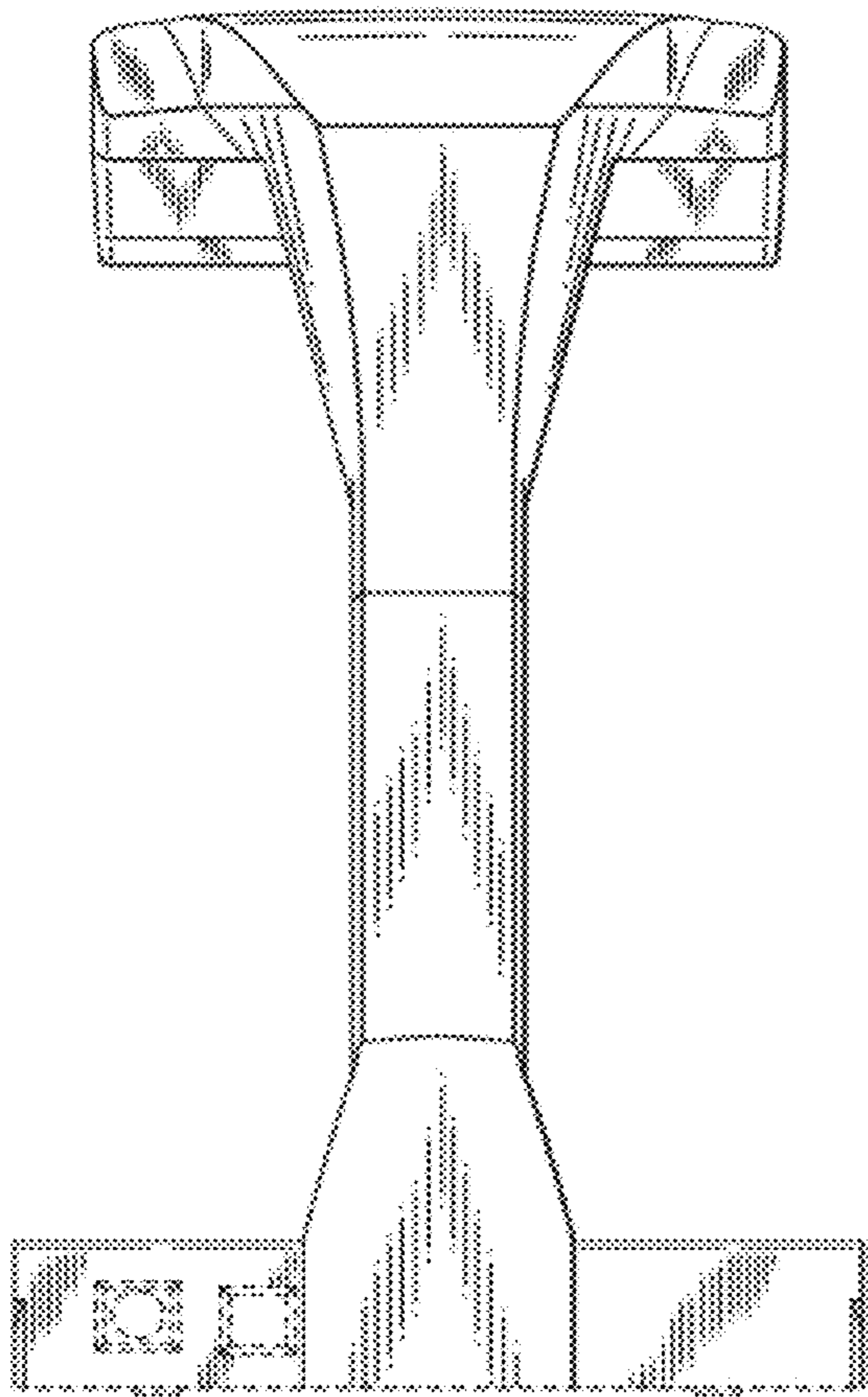


Fig. 4

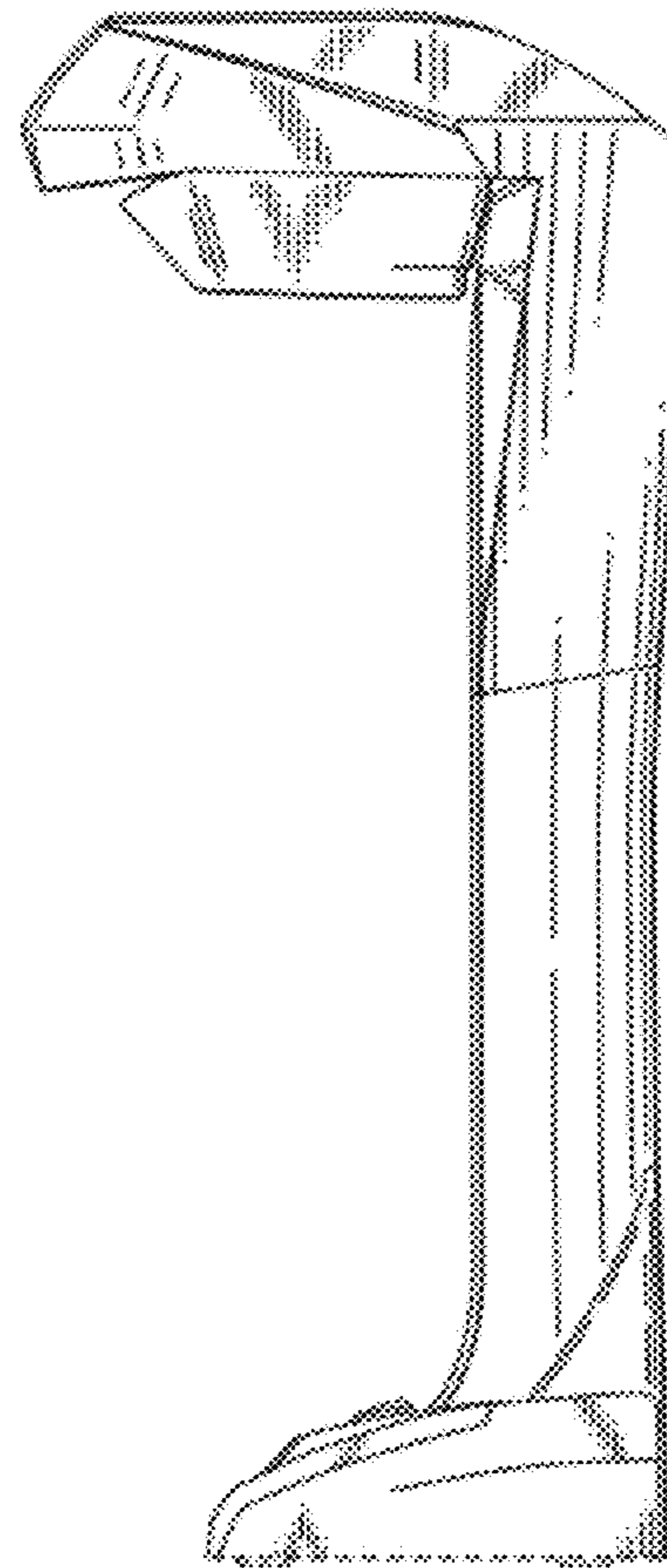


Fig. 5

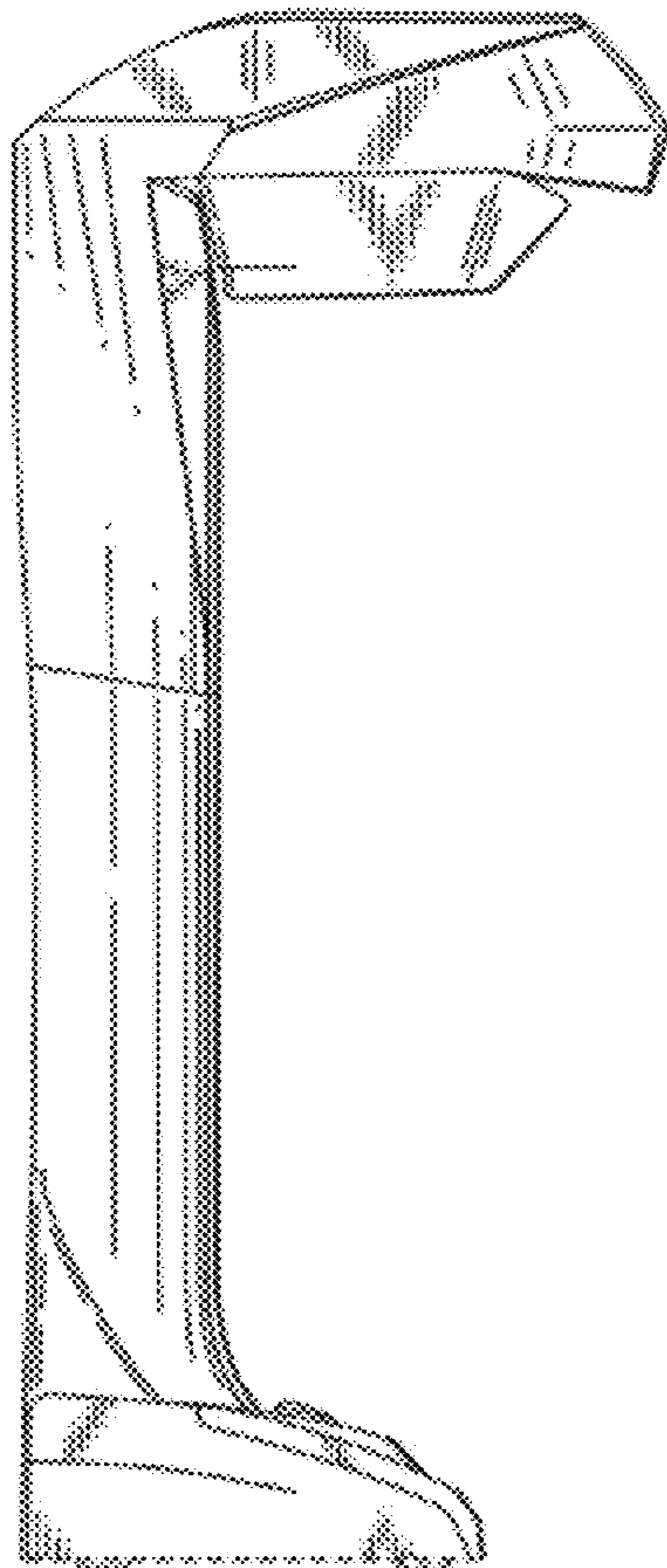


Fig. 6

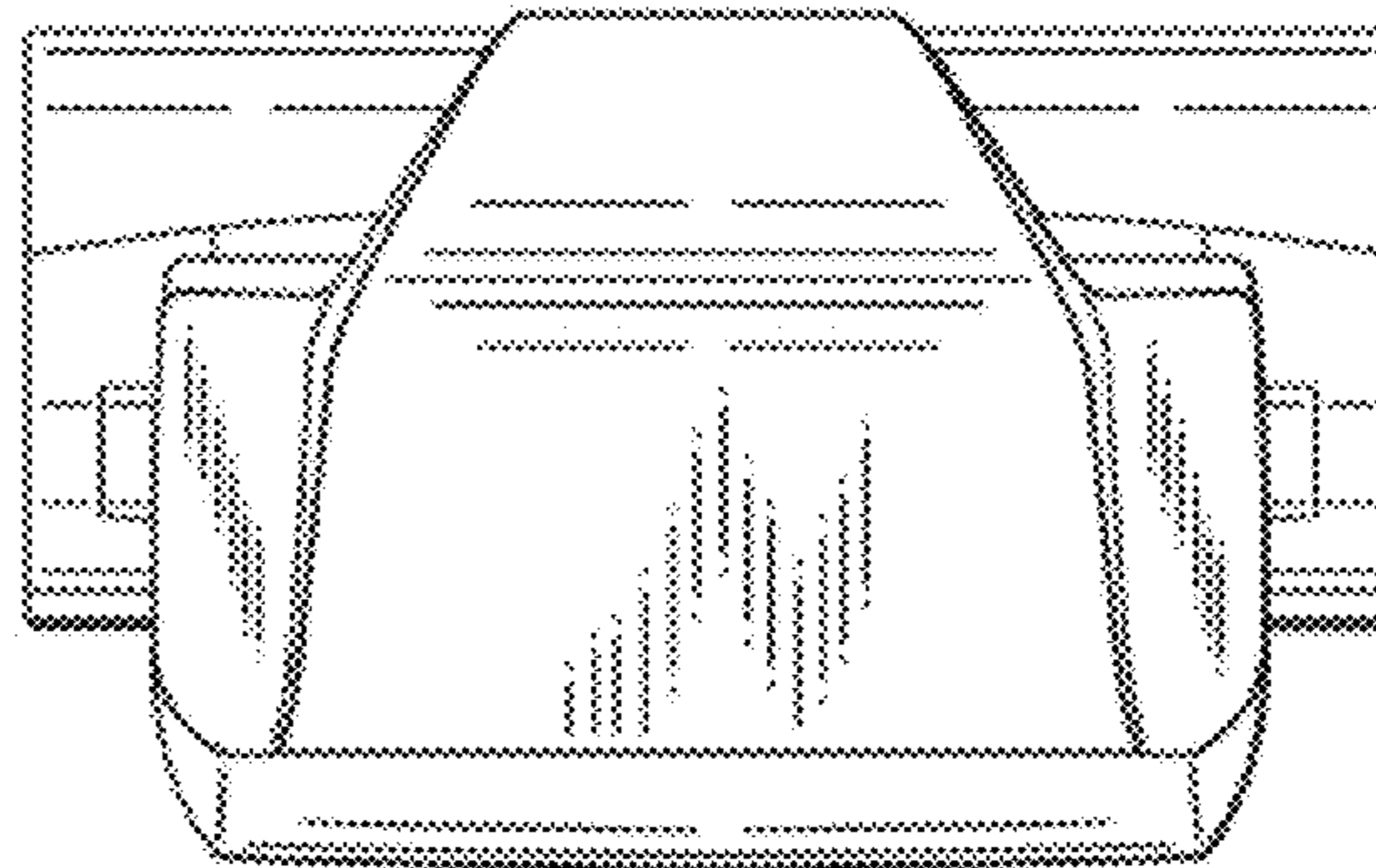


Fig. 7

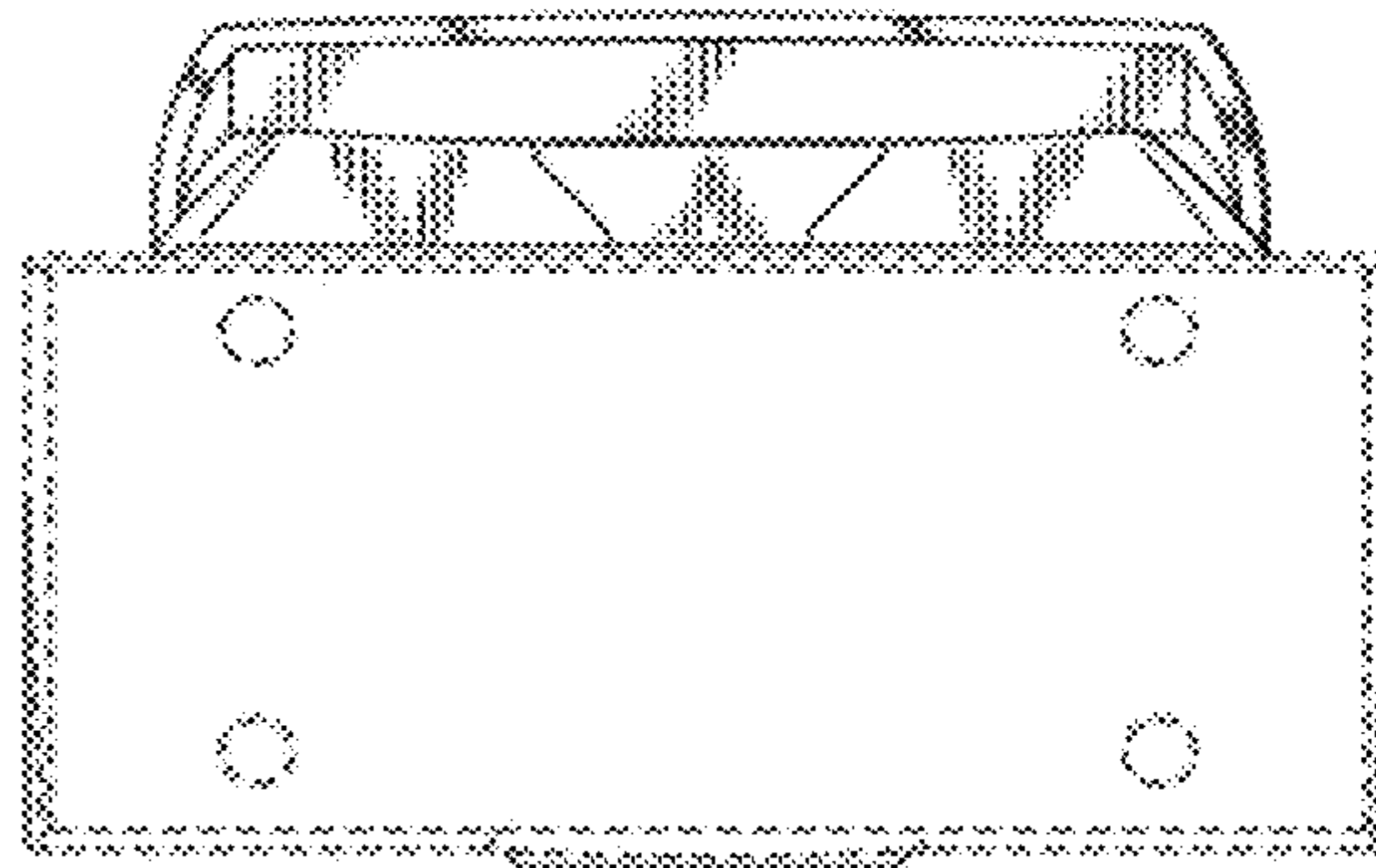


Fig.8

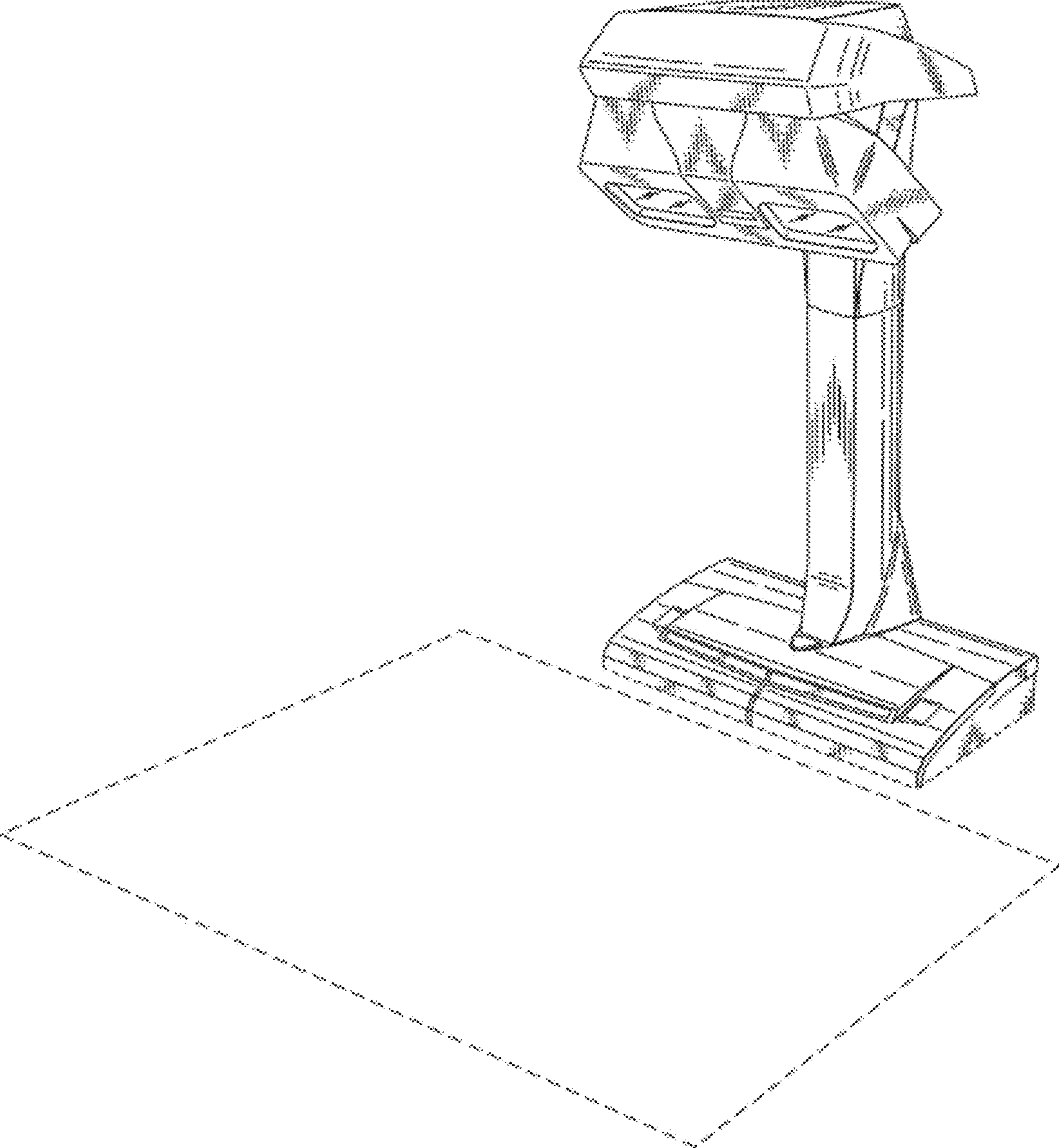


Fig. 9

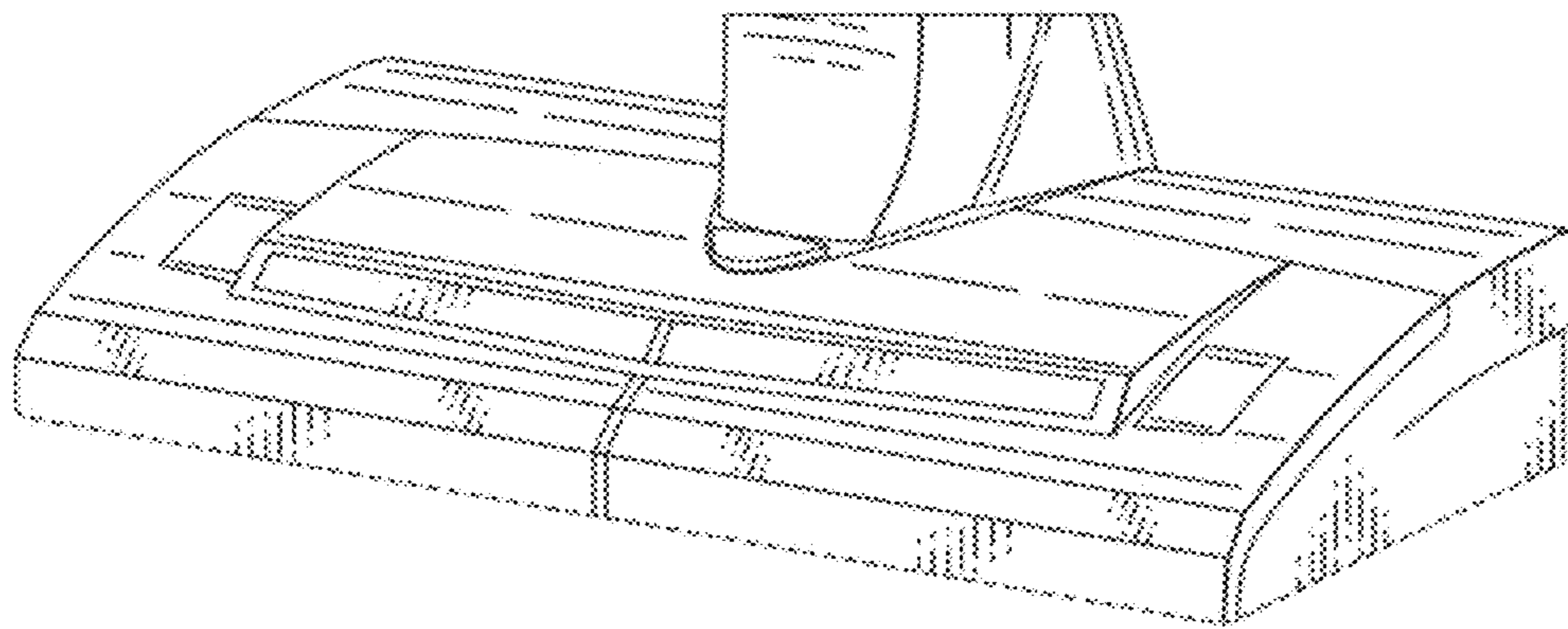


Fig. 10

