



US00D673146S

(12) **United States Design Patent**
Kawano et al.

(10) **Patent No.:** **US D673,146 S**
(45) **Date of Patent:** **** Dec. 25, 2012**

(54) **MOBILE COMPUTER**

(75) Inventors: **Koichi Kawano**, Tokyo (JP); **Kensuke Iizuka**, Kawasaki (JP)

(73) Assignee: **Fujitsu Limited**, Kawasaki (JP)

(**) Term: **14 Years**

(21) Appl. No.: **29/371,487**

(22) Filed: **Mar. 17, 2011**

(30) **Foreign Application Priority Data**

Nov. 5, 2010 (JP) D2010-026591

(51) **LOC (9) Cl.** **14-02**

(52) **U.S. Cl.** **D14/341; D14/345; D14/346**

(58) **Field of Classification Search** D14/341-347,
D14/137, 138, 138.1, 138 A, 138 AA, 138 R,
D14/138 AB, 138 AC, 138 AD, 138 C, 138 G,
D14/496, 203.1, 203.3, 203.4, 203.5, 203.7,
D14/426, 427, 432, 429, 129, 130, 420, 439-441,
D14/448, 125, 147, 156, 218, 247-248, 250,
D14/389, 388, 315-318; D10/65, 104; D18/6-7;
D21/324, 329, 330; D19/26, 59, 60; 455/556.1,
455/556.2, 566, 575.1, 90.3; 379/433.04,
379/433.01, 433.06, 916; 345/169, 173,
345/901, 905; 361/679.26, 679.27, 679.3,
361/679.55, 679.56

See application file for complete search history.

(56) **References Cited**

U.S. PATENT DOCUMENTS

D354,072	S	*	1/1995	Yatabe	D14/345
D485,266	S	*	1/2004	Wilson et al.	D14/341
D494,584	S	*	8/2004	Schlieffers et al.	D14/346
D504,890	S	*	5/2005	Sung et al.	D14/346
D519,141	S	*	4/2006	Hayashi	D16/202
D550,713	S	*	9/2007	Ichinose	D14/496
D558,228	S	*	12/2007	Toh et al.	D14/496
D582,363	S	*	12/2008	Lai	D14/125
D604,715	S	*	11/2009	Shimizu et al.	D14/203.7
D641,771	S	*	7/2011	Sasaki et al.	D16/202
D662,948	S	*	7/2012	Liang	D14/496

FOREIGN PATENT DOCUMENTS

WO DM/052846 * 8/2000

* cited by examiner

Primary Examiner — Barbara Fox

(74) *Attorney, Agent, or Firm* — Staas & Halsey LLP

(57) **CLAIM**

The ornamental design for a mobile computer, as shown and described.

DESCRIPTION

FIG. 1 is a perspective view of front, top plan and left side of a mobile computer showing our new design;
FIG. 2 is a front view thereof;
FIG. 3 is a rear view thereof;
FIG. 4 is a top plan view thereof;
FIG. 5 is a bottom view thereof;
FIG. 6 is a left side view thereof;
FIG. 7 is a right side view thereof;
FIG. 8 is a front view showing the state of closing the keyboard; and,
FIG. 9 is a rear view thereof.

1 Claim, 7 Drawing Sheets

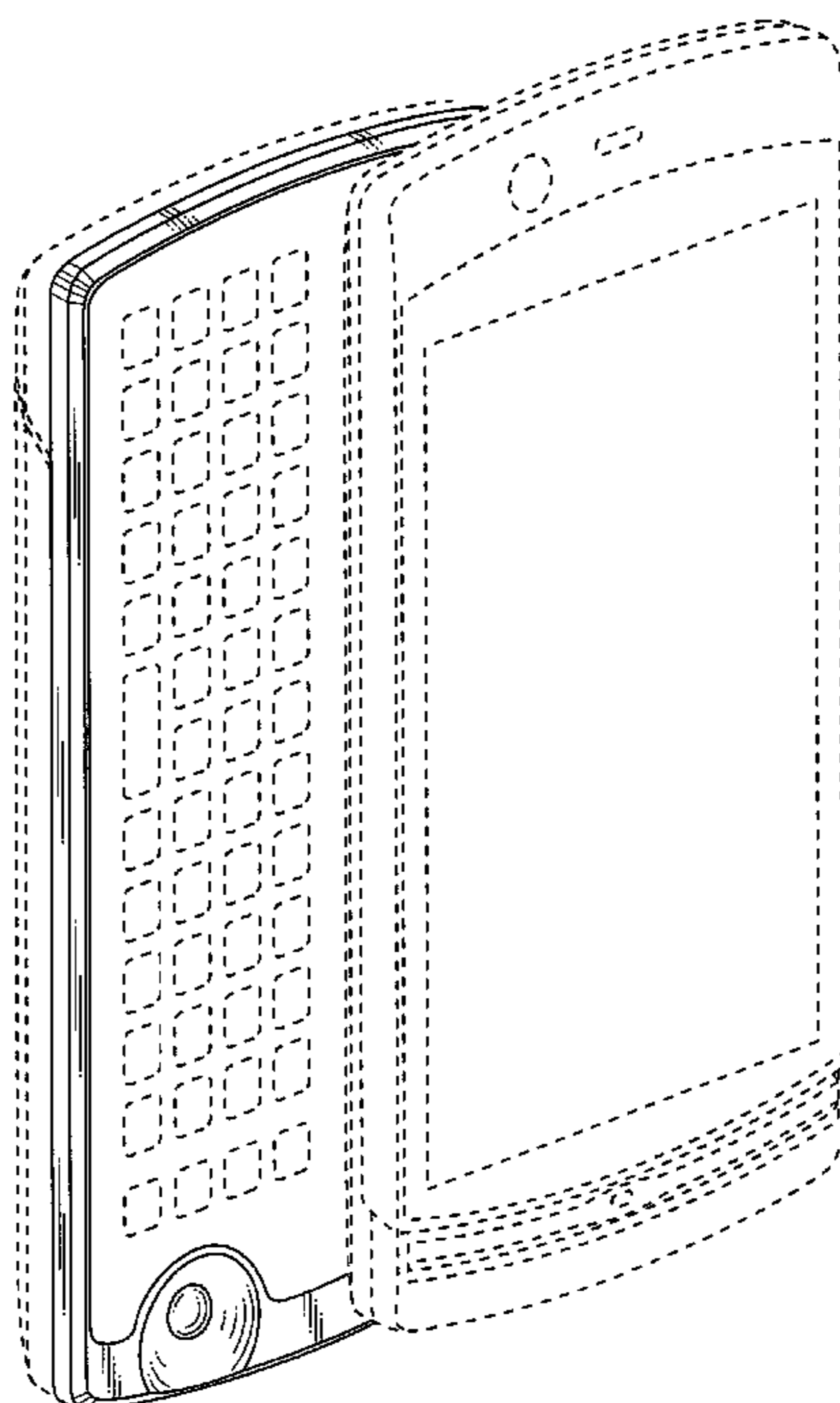


Fig. 1

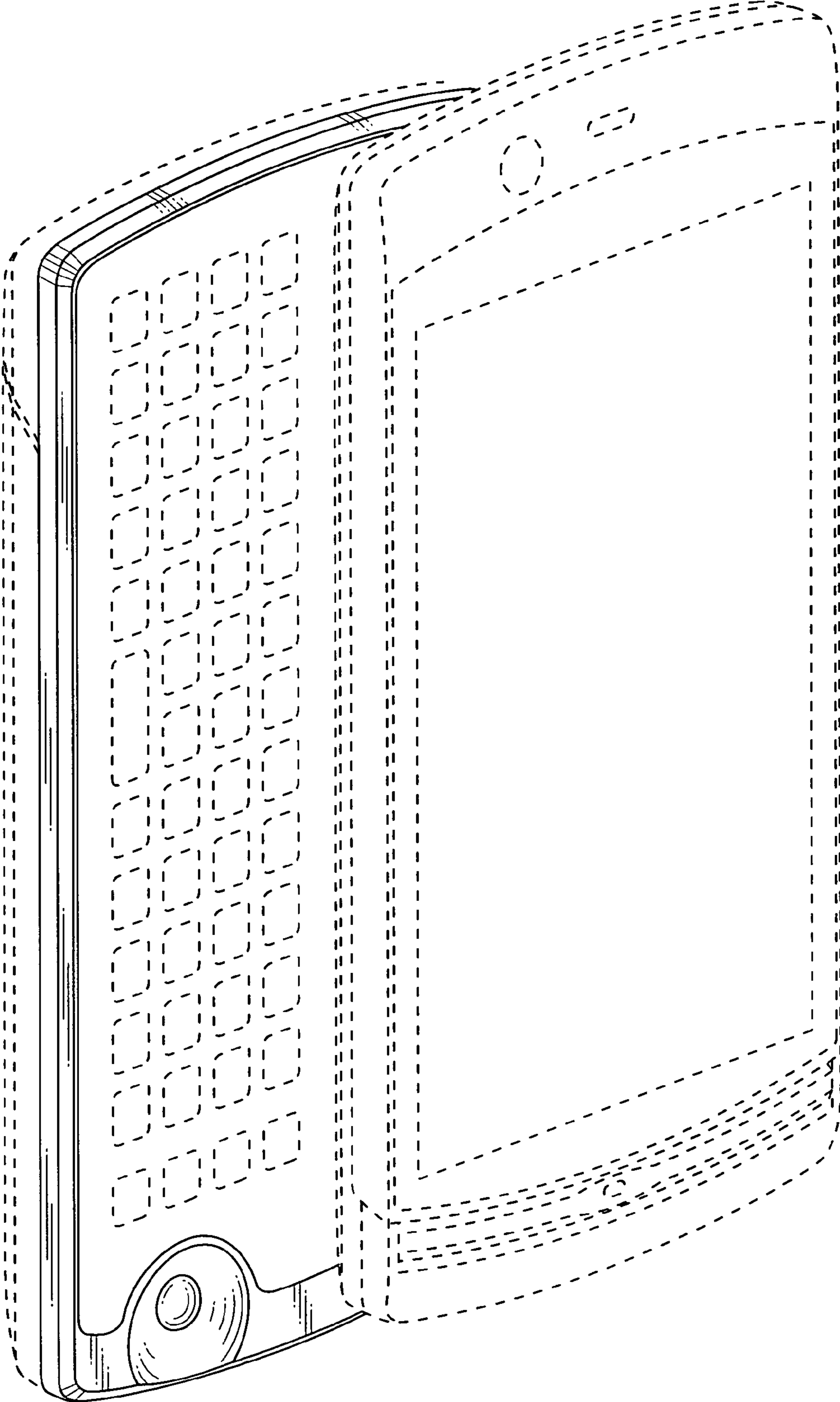


Fig. 2

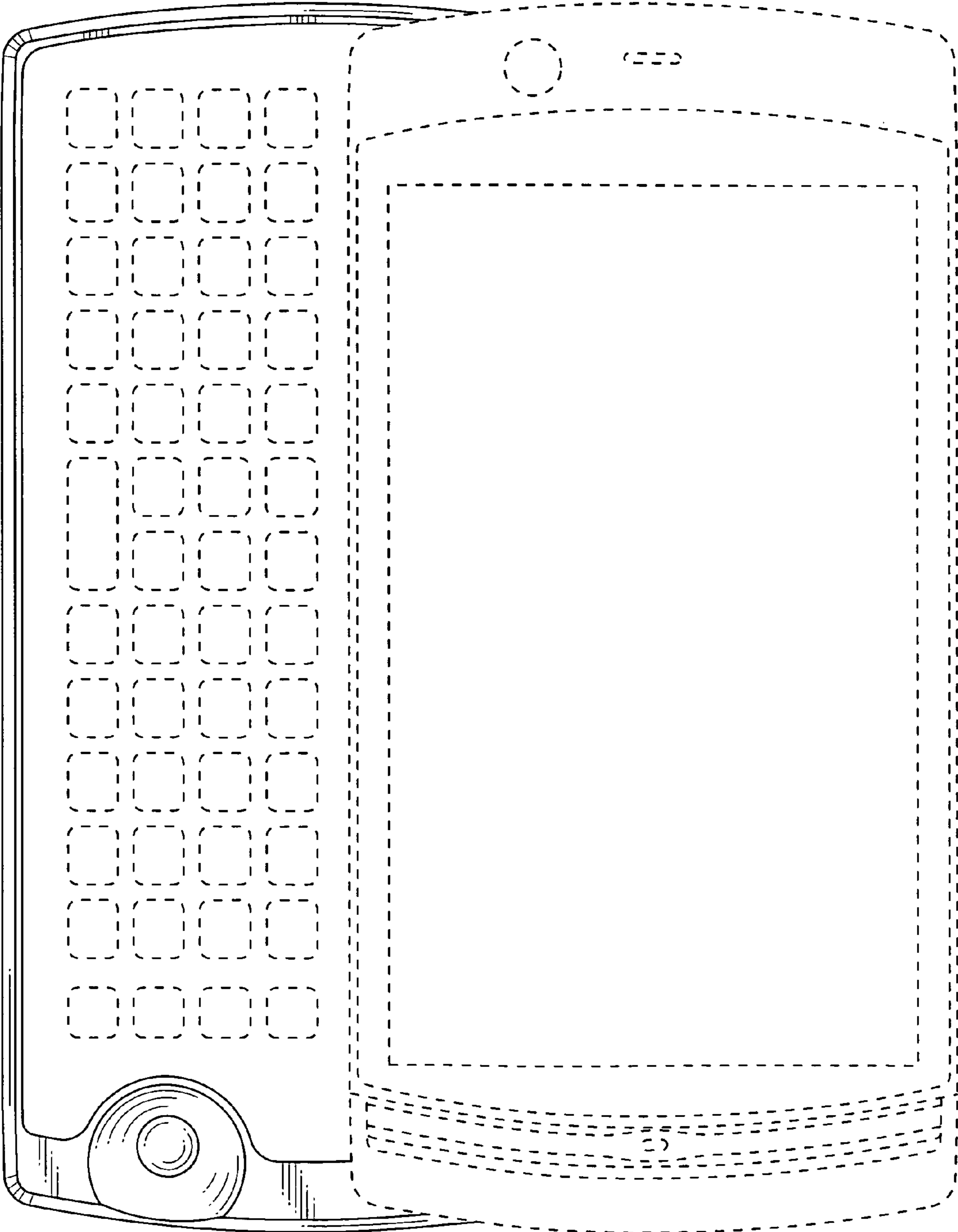


Fig. 3

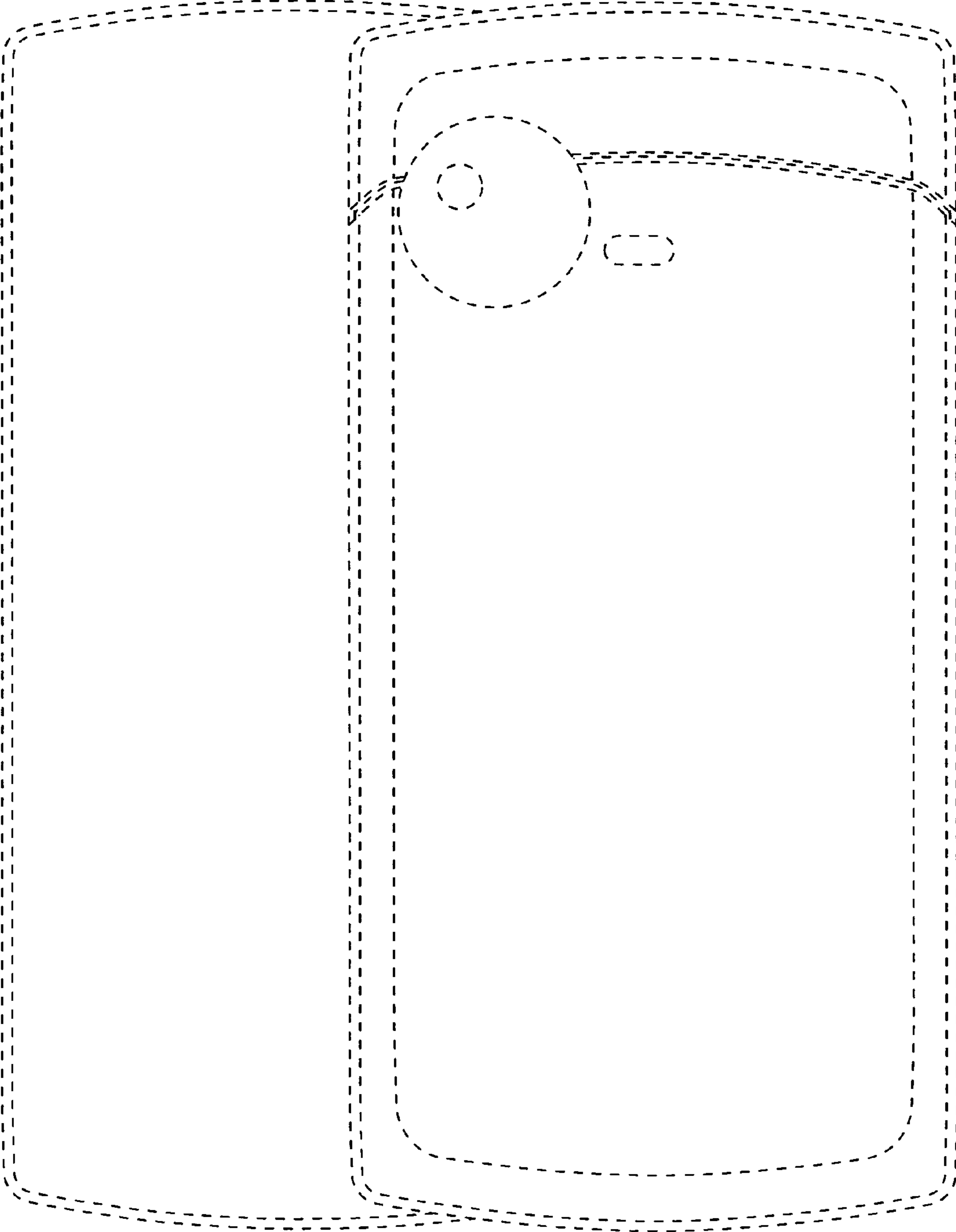


Fig. 4

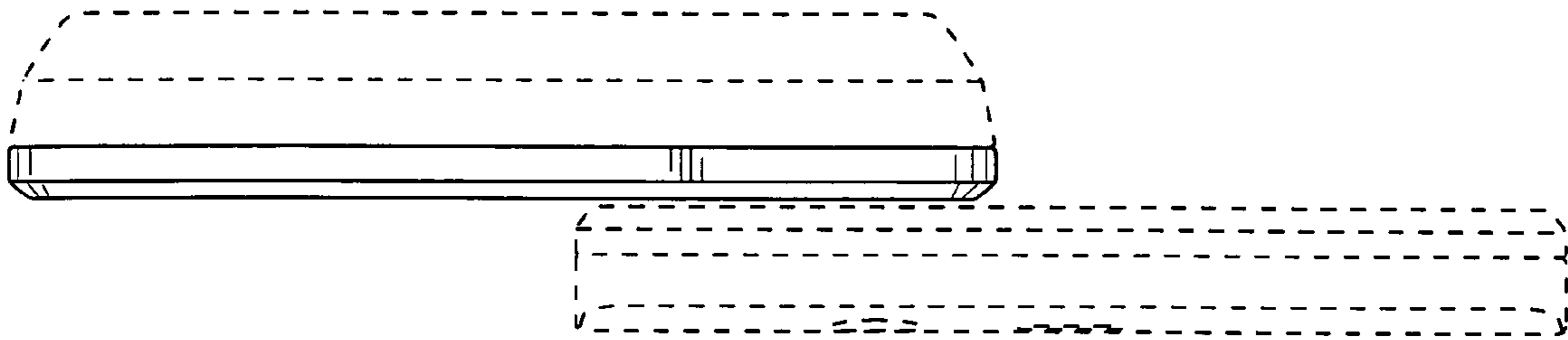


Fig. 5

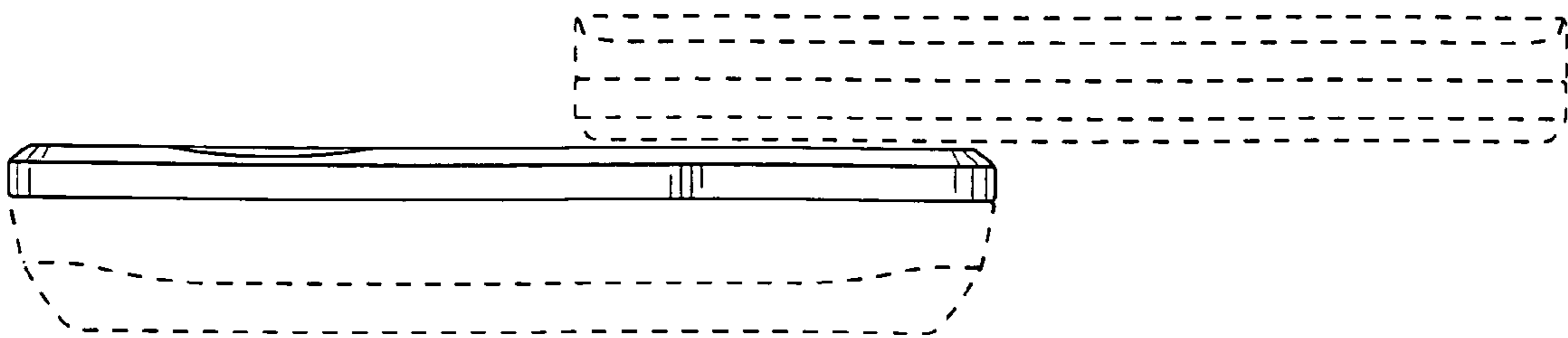


Fig. 6

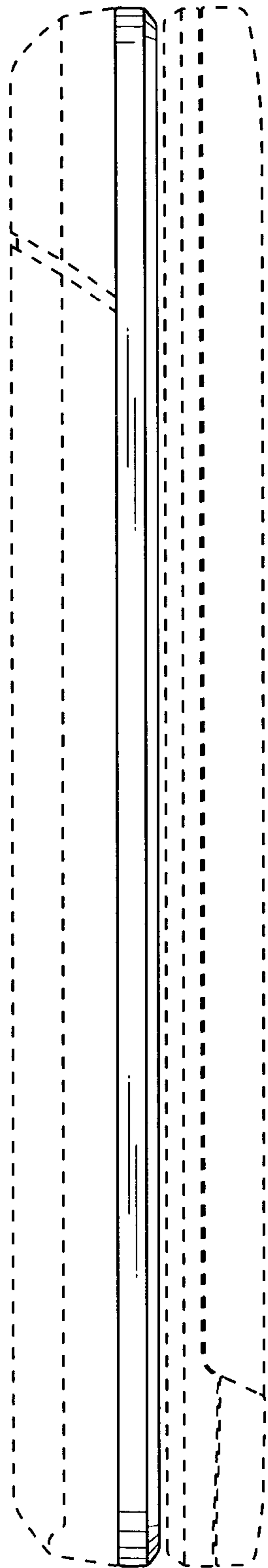


Fig. 7

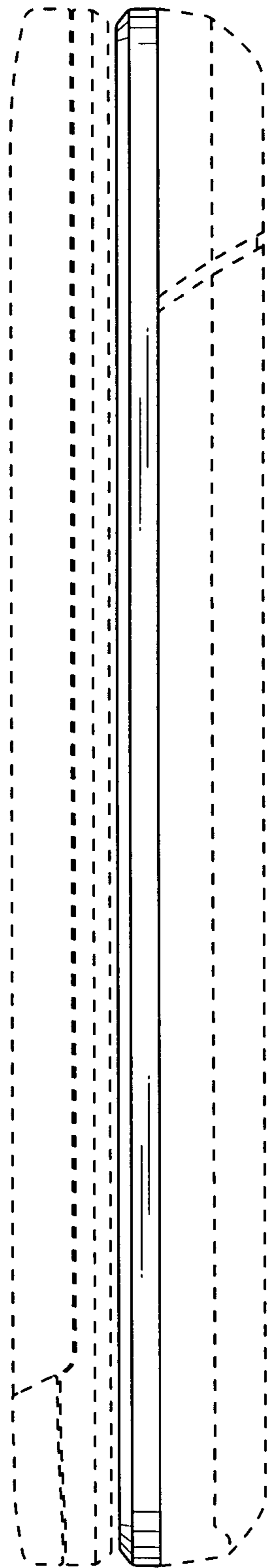


Fig. 8

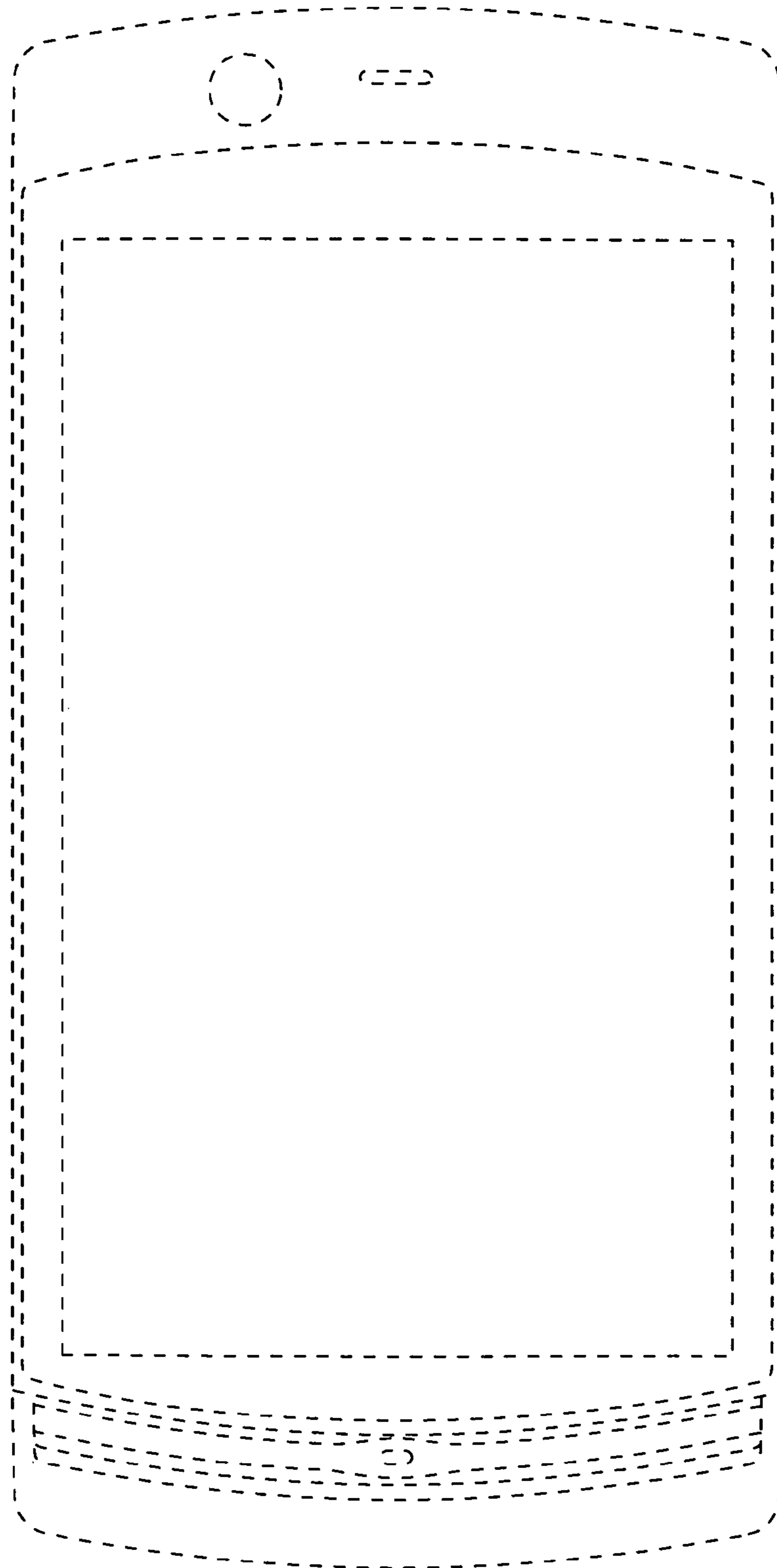


Fig. 9

