



US00D673144S

(12) **United States Design Patent**  
**Onoue**

(10) **Patent No.:** **US D673,144 S**

(45) **Date of Patent:** **\*\* Dec. 25, 2012**

(54) **AMPLIFIER**

(75) Inventor: **Ryuta Onoue**, Nara (JP)

(73) Assignee: **Panasonic Corporation**, Osaka (JP)

(\*\*) Term: **14 Years**

(21) Appl. No.: **29/415,197**

(22) Filed: **Mar. 8, 2012**

(51) **LOC (9) Cl.** ..... **14-03**

(52) **U.S. Cl.** ..... **D14/257; D14/188**

(58) **Field of Classification Search** ..... D14/168,  
D14/169, 179, 188, 194-198, 215, 217, 257,  
D14/265, 299, 496; 330/1 R, 3, 4, 250; 381/86,  
381/120; 455/344-351

See application file for complete search history.

(56) **References Cited**

**U.S. PATENT DOCUMENTS**

D360,406 S *	7/1995	Hill et al. ....	D14/351
D374,671 S *	10/1996	Tatsumi ....	D14/214
D469,428 S *	1/2003	Senda et al. ....	D14/257
D489,356 S *	5/2004	Cho ....	D14/188
D510,572 S *	10/2005	Lee et al. ....	D14/188
D515,565 S *	2/2006	Kawasaki ....	D14/363
D544,453 S *	6/2007	Yamada ....	D14/125
D599,789 S *	9/2009	Shimizu ....	D14/257
D655,275 S *	3/2012	Won et al. ....	D14/214
D656,502 S *	3/2012	Cacioppo et al. ....	D14/453

**OTHER PUBLICATIONS**

Audiovox Corporation, "Acoustic Research HDP100 HDMI Powerlink System", obtained from the internet address <http://re-

views.cnet.com/home-entertainment/acoustic-research-hdp100-hdmi/4505-6449\_7-33408746.html>, on Feb. 20, 2012, 1 page.  
D-Link Corporation, "DAP-1513 Wireless N Dual Band Mediabridge", obtained from the internet address <http://www.dlink.com/products/?pid=819>, on Feb. 20, 2012, 2 pages.

\* cited by examiner

*Primary Examiner* — Keli L Hill

(74) *Attorney, Agent, or Firm* — Brinks Hofer Gilson & Lione

(57) **CLAIM**

I claim the ornamental design for an amplifier, as shown and described.

**DESCRIPTION**

FIG. 1 is a front perspective view of an amplifier of the present invention;

FIG. 2 is a front view thereof;

FIG. 3 is a rear view thereof;

FIG. 4 is a first side view thereof;

FIG. 5 is a second side view thereof;

FIG. 6 is a top view thereof; and,

FIG. 7 is a bottom view thereof.

The broken lines shown represent unclaimed subject matter and form no part of the claimed design. Additionally, the unevenly broken lines in the drawings define the limits of the claimed design.

**1 Claim, 7 Drawing Sheets**

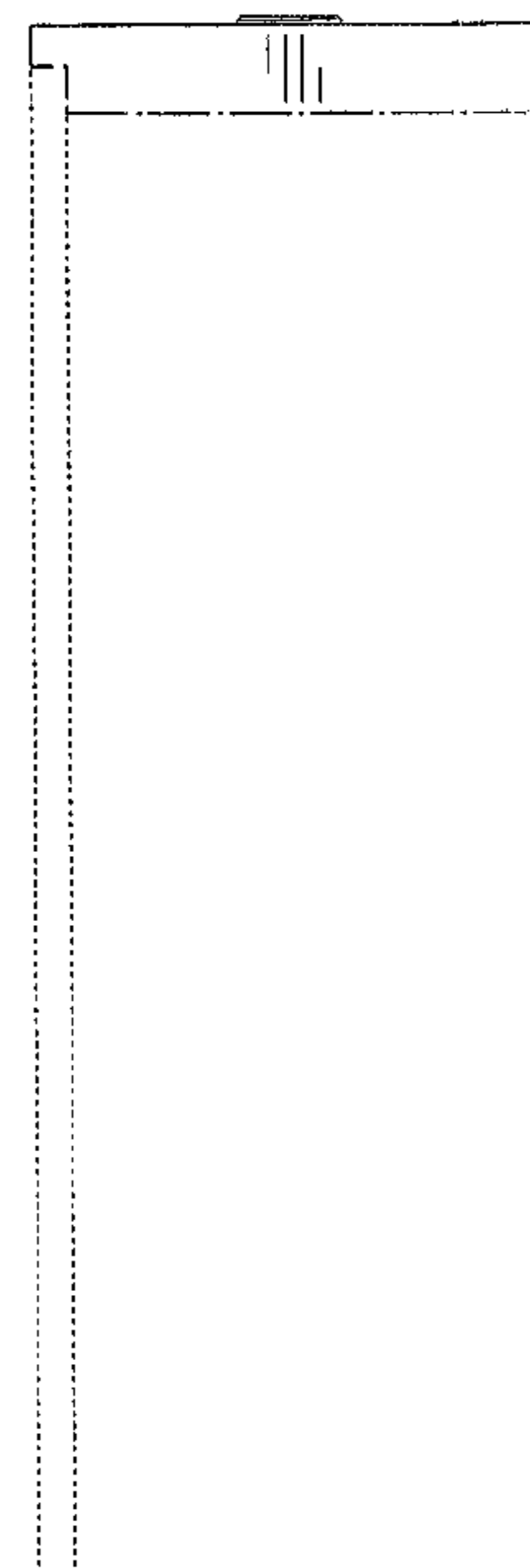
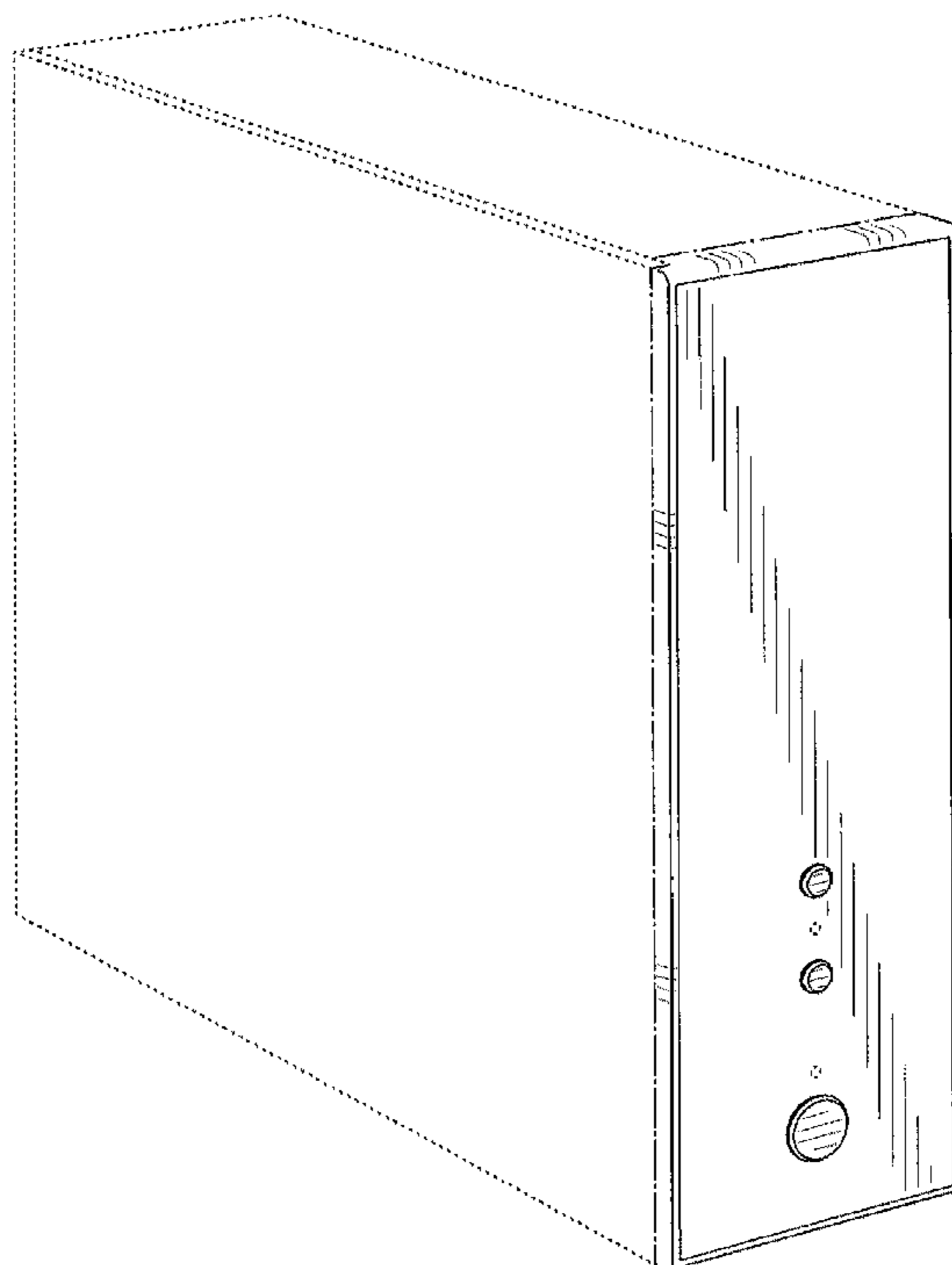


FIG.1

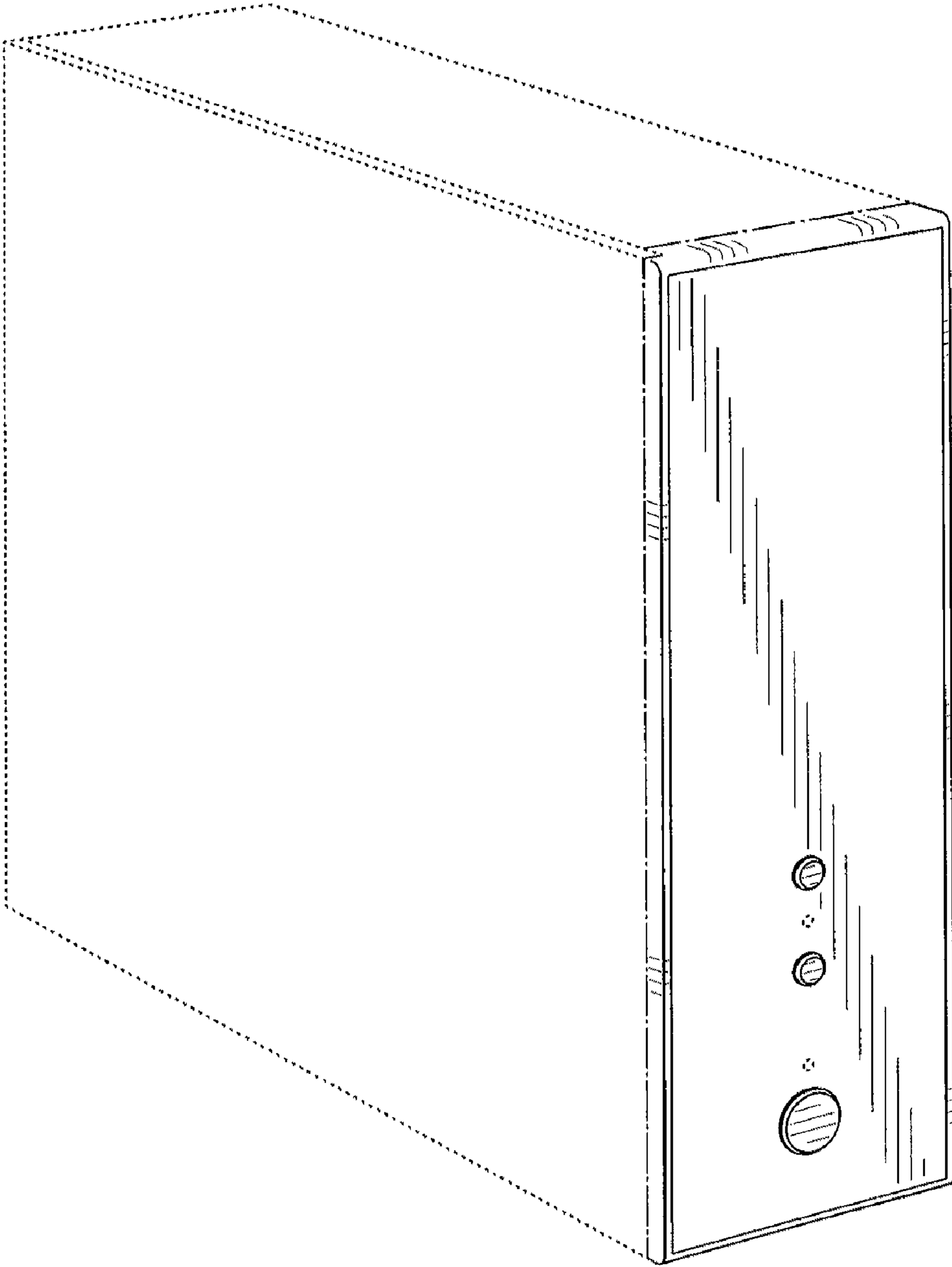


FIG.2

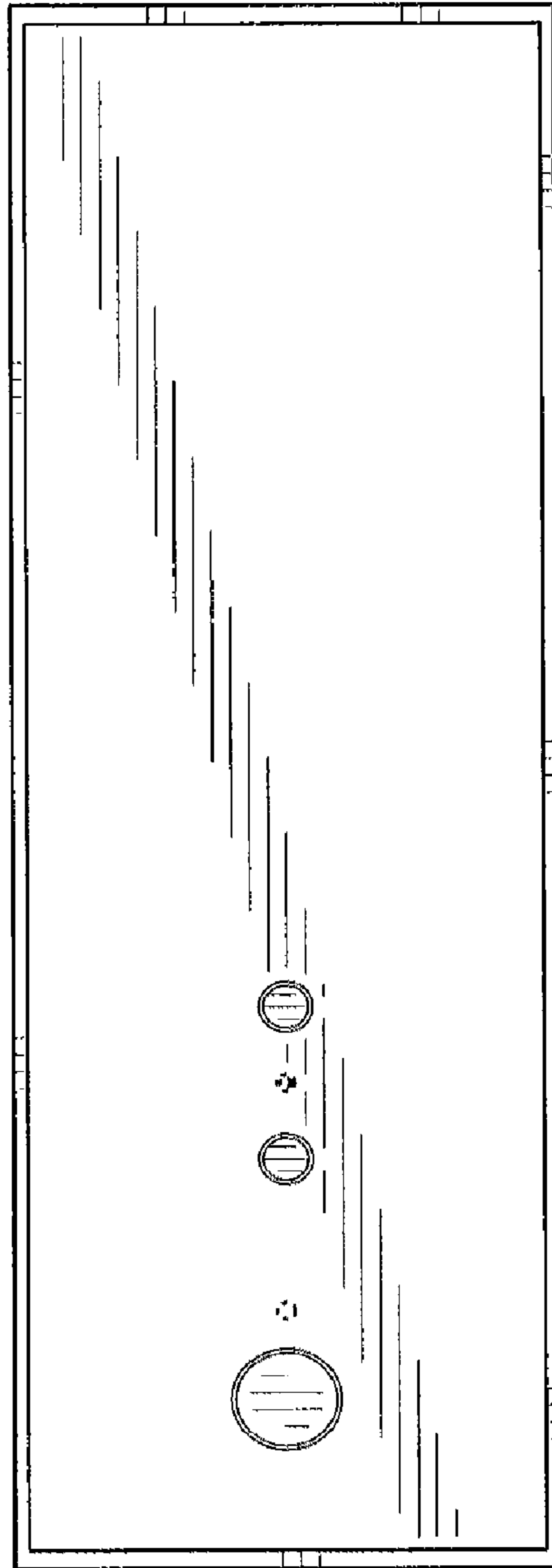


FIG.3

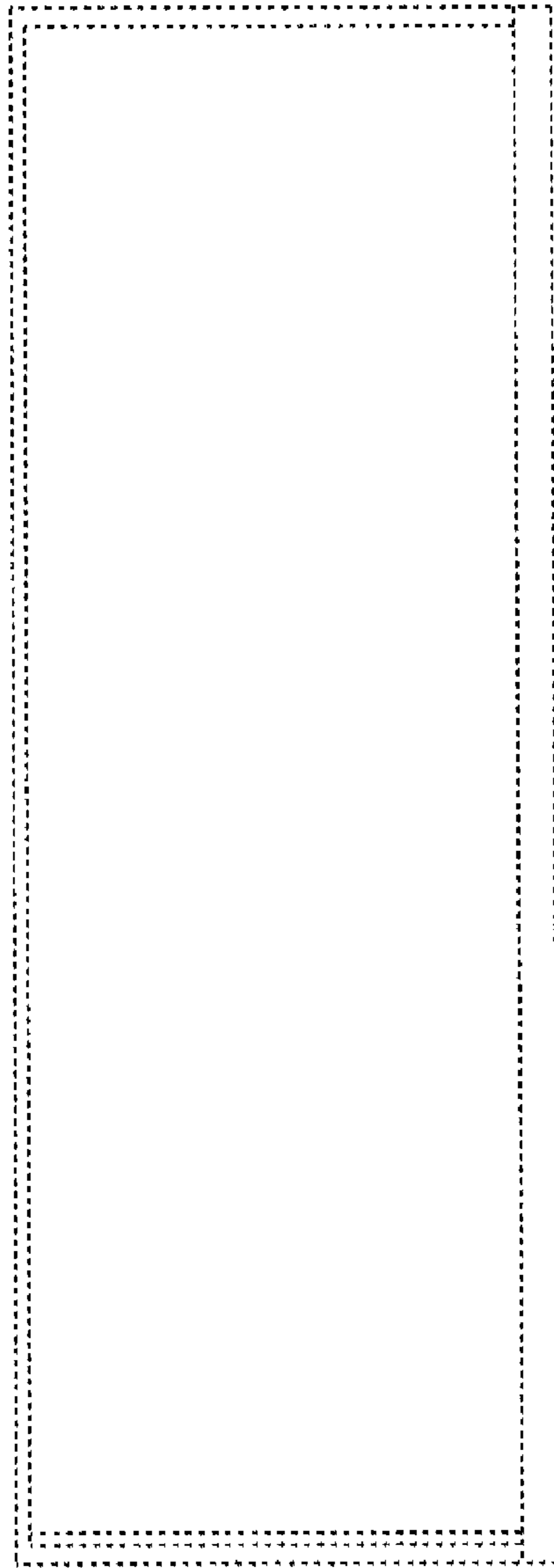


FIG.4

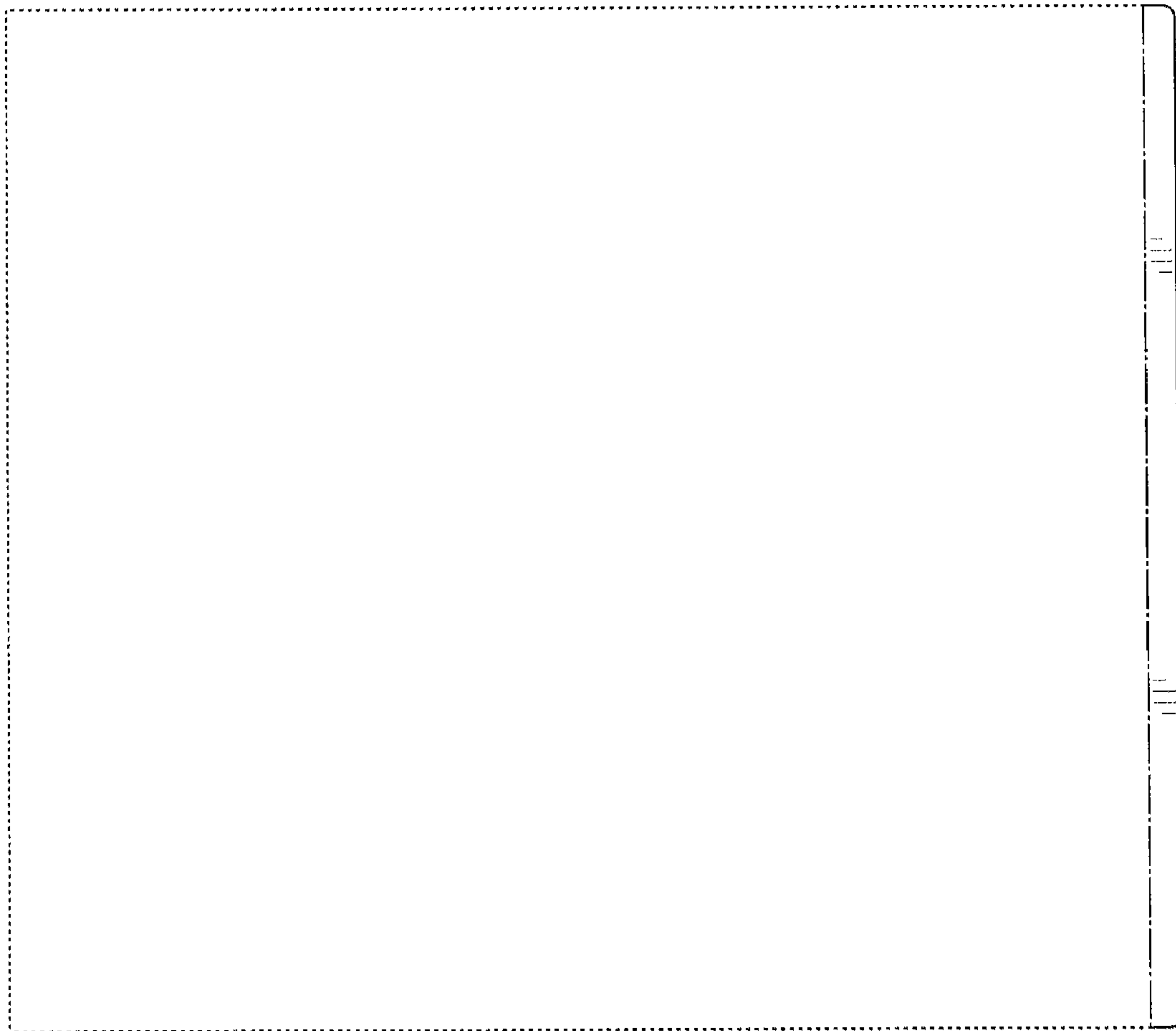


FIG.5

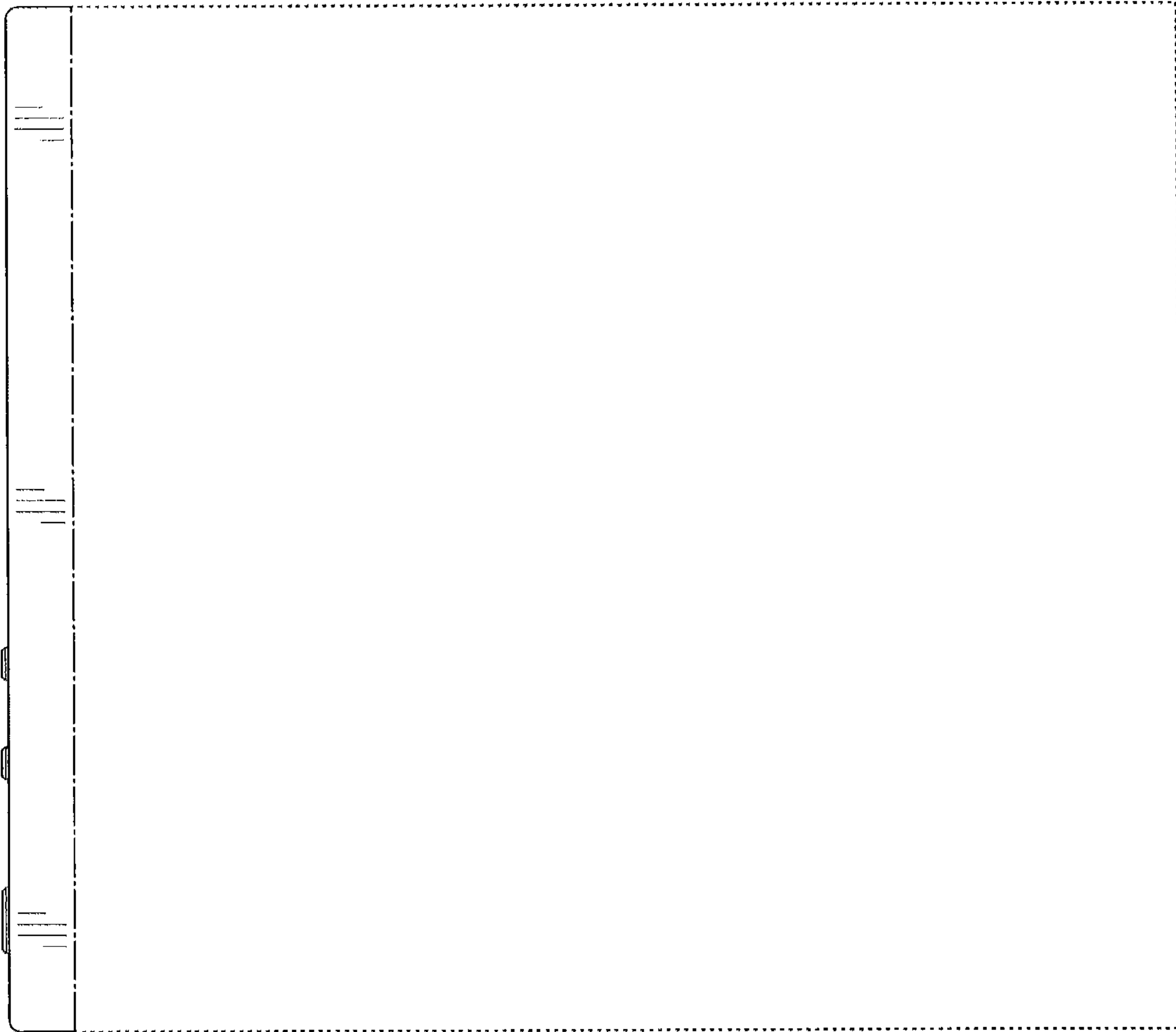


FIG.6

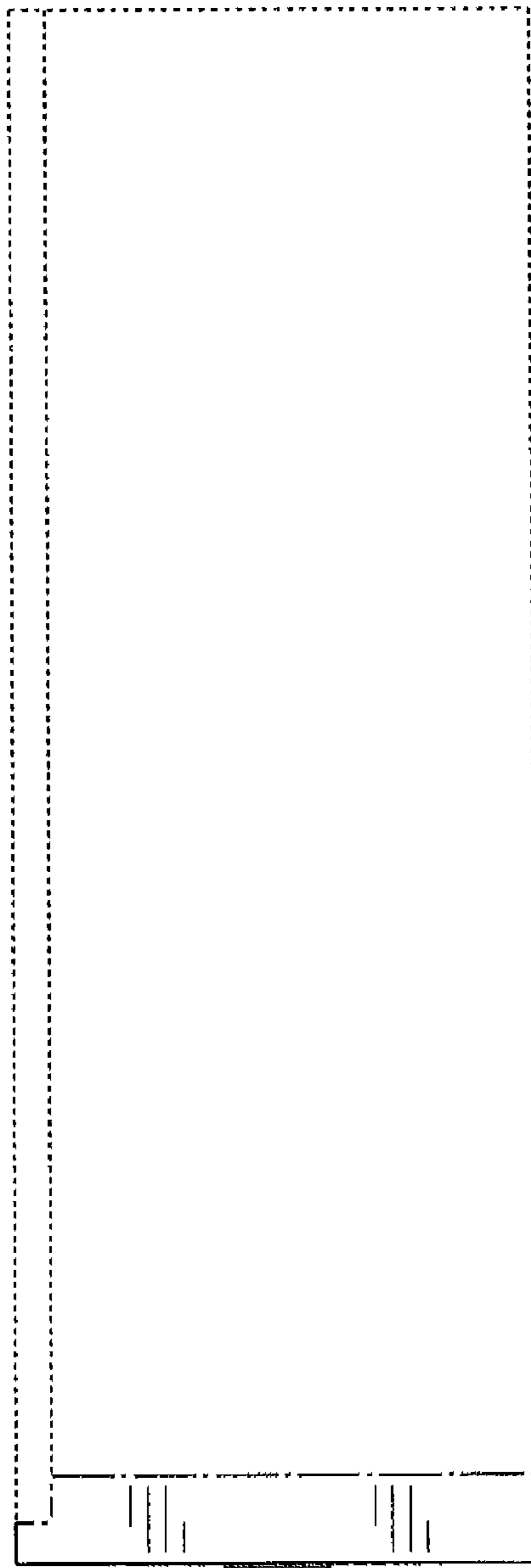


FIG.7

