



US00D673140S

(12) **United States Design Patent**
Kelly et al.

(10) **Patent No.:** **US D673,140 S**

(45) **Date of Patent:** **** Dec. 25, 2012**

(54) **HEADPHONE**

(75) Inventors: **Peter M. Kelly**, Park City, UT (US);
Daniel A. Levine, Newport Beach, CA
(US); **Donald C. Stiff**, Park City, UT
(US)

(73) Assignee: **Skullcandy, Inc.**, Park City, UT (US)

(**) Term: **14 Years**

(21) Appl. No.: **29/408,976**

(22) Filed: **Dec. 19, 2011**

(51) **LOC (9) Cl.** **14-01**

(52) **U.S. Cl.** **D14/223**

(58) **Field of Classification Search** D14/205,
D14/206, 223; 181/129, 130, 135; 379/430,
379/431; 381/380, 381; D24/124; 455/90.3,
455/575.2

See application file for complete search history.

(56) **References Cited**

U.S. PATENT DOCUMENTS

D457,513	S	*	5/2002	Pirelli et al.	D14/223
6,868,284	B2	*	3/2005	Bae	455/575.2
6,922,476	B2	*	7/2005	Nassimi	381/380
D538,271	S	*	3/2007	Kim et al.	D14/223
D566,108	S	*	4/2008	Kan	D14/223
D566,694	S	*	4/2008	Kim et al.	D14/223
7,388,960	B2		6/2008	Kuo et al.		
D575,277	S	*	8/2008	Gaarde et al.	D14/223
D581,396	S	*	11/2008	Wikel et al.	D14/206

D588,113	S	*	3/2009	Bradford	D14/223
D603,379	S	*	11/2009	Harbeke et al.	D14/223
D604,722	S	*	11/2009	Mistry	D14/223
D634,300	S	*	3/2011	Yang et al.	D14/206
D637,183	S	*	5/2011	March	D14/223
D637,184	S	*	5/2011	March	D14/223
D640,242	S	*	6/2011	Fahrendorff et al.	D14/223
D643,417	S	*	8/2011	Lee et al.	D14/223
D645,456	S	*	9/2011	Carr et al.	D14/223
D649,957	S	*	12/2011	Fahrendorff et al.	D14/223
D656,128	S	*	3/2012	Park	D14/223
D661,284	S	*	6/2012	Brandis et al.	D14/223

* cited by examiner

Primary Examiner — Paula Greene

(74) *Attorney, Agent, or Firm* — TraskBritt, P.C.

(57) **CLAIM**

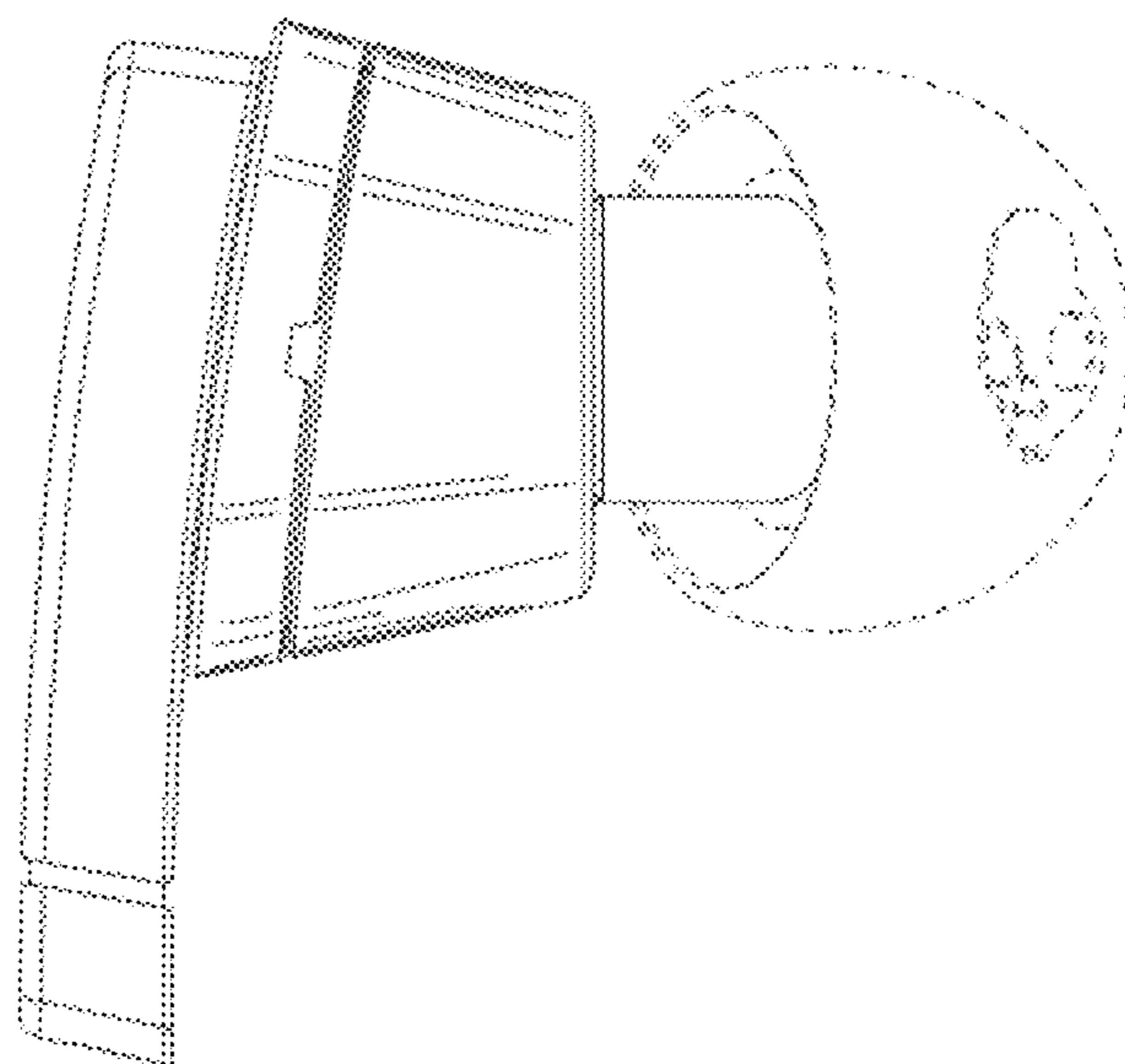
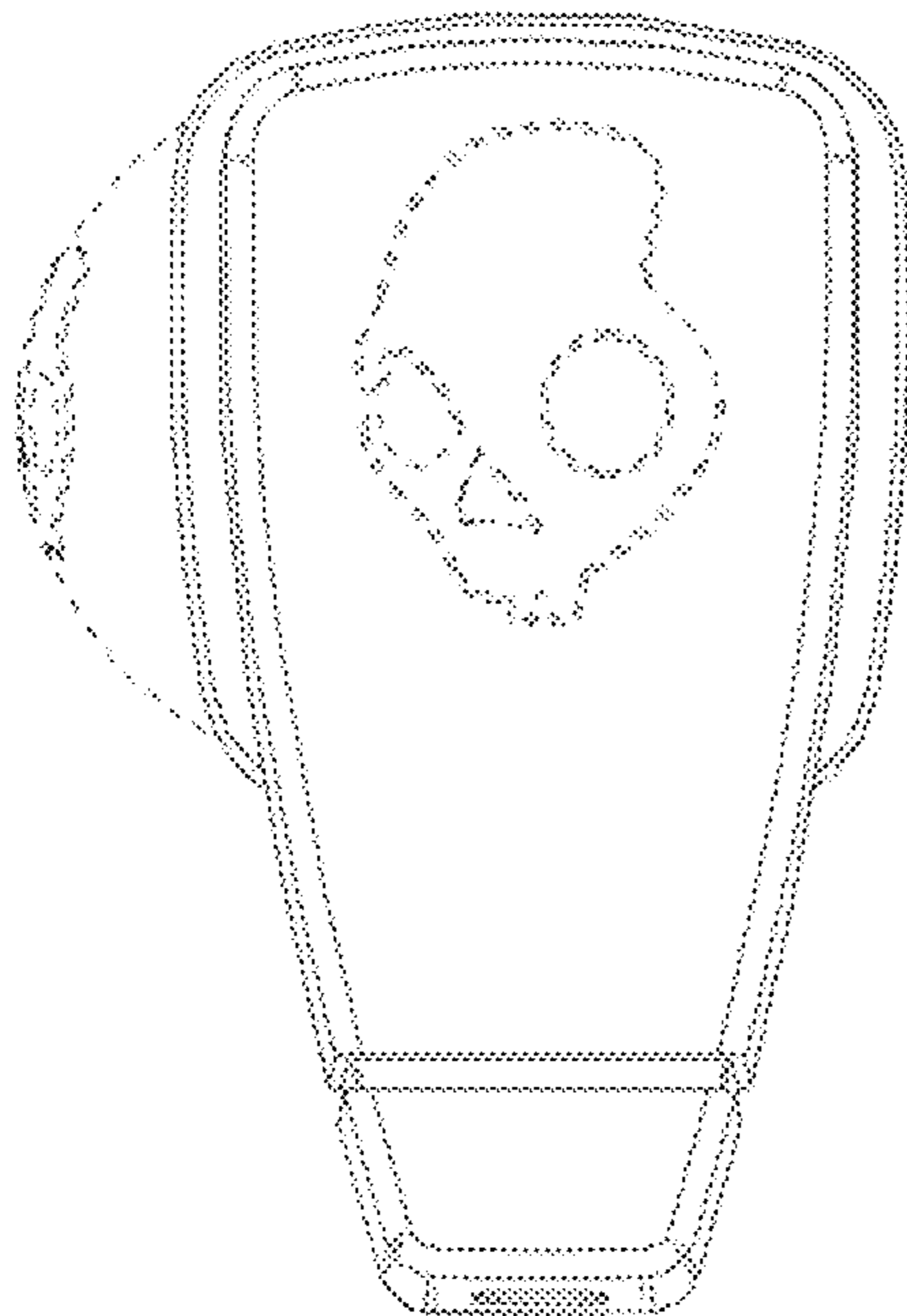
The ornamental design for a headphone, as shown and described.

DESCRIPTION

FIG. 1 is a front view of an embodiment of a headphone; FIG. 2 is a rear view of the headphone shown in FIG. 1; FIG. 3 is a left side view of the headphone shown in FIG. 1; FIG. 4 is a right side view of the headphone shown in FIG. 1; FIG. 5 is a top view of the headphone shown in FIG. 1; FIG. 6 is a bottom view of the headphone shown in FIG. 1; and, FIG. 7 is a perspective view of the headphone shown in FIG. 1.

The broken lines in FIGS. 1-7 are for environmental purposes only and do not form any part of the claimed design.

1 Claim, 4 Drawing Sheets



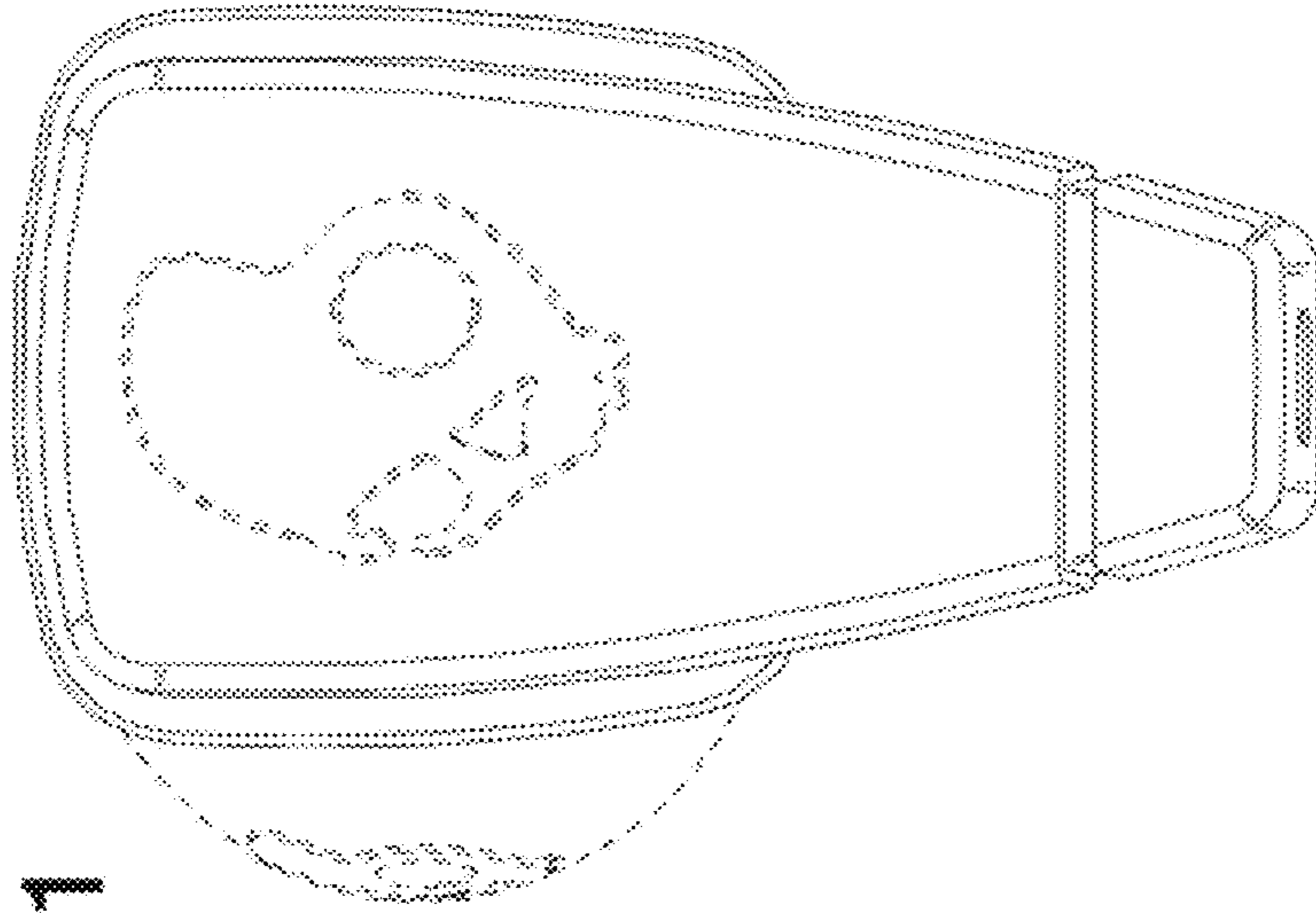


FIGURE 1

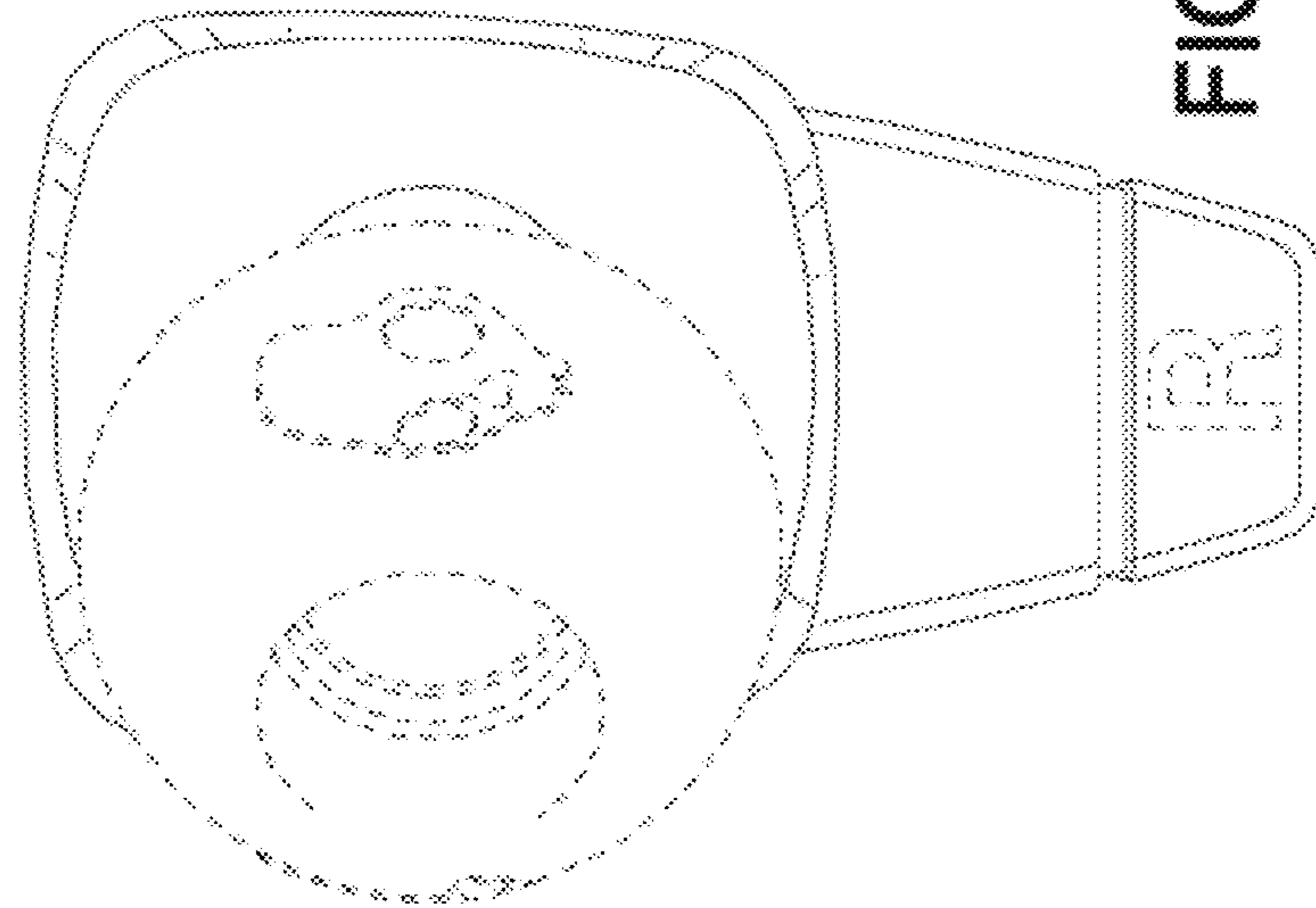


FIGURE 2

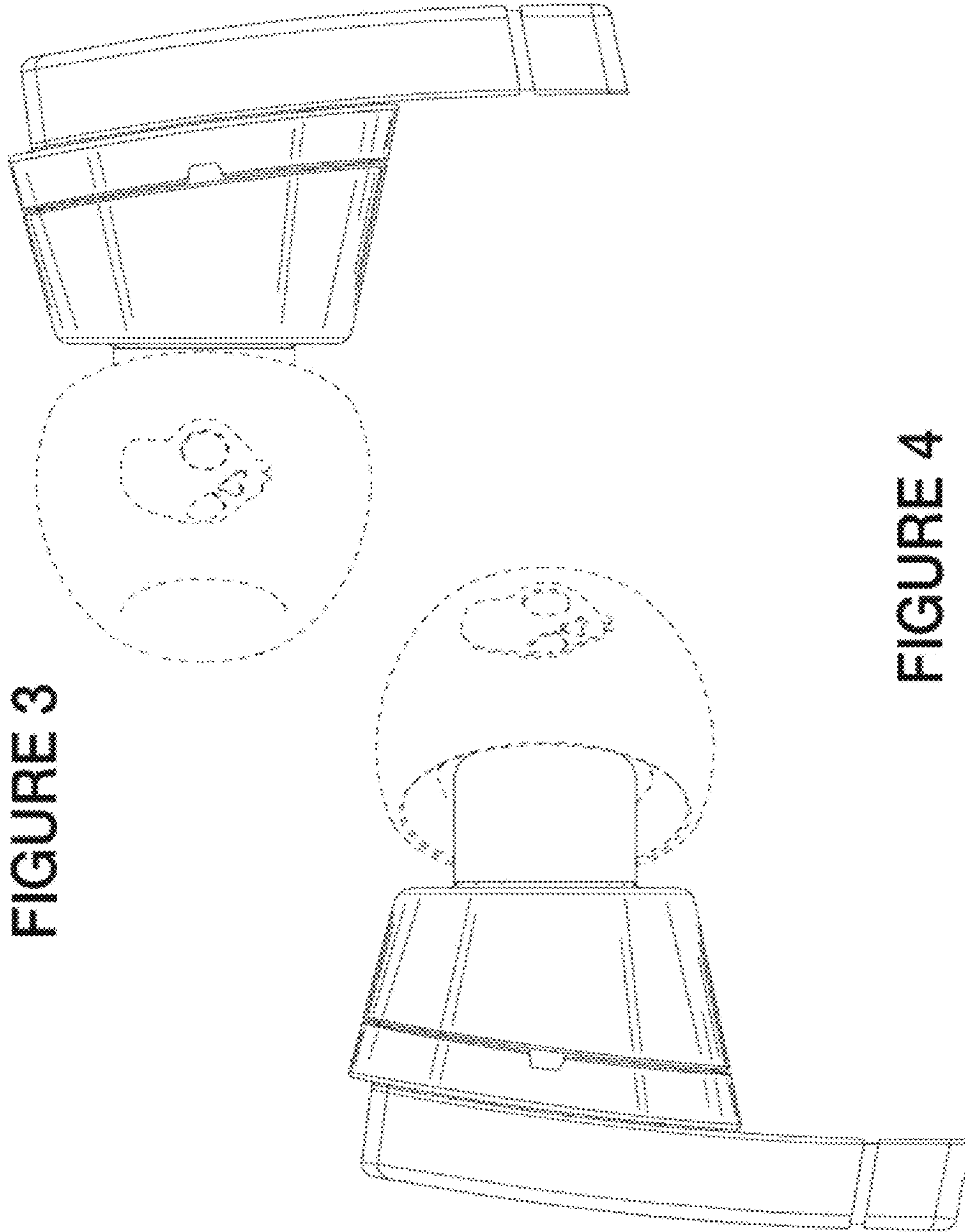


FIGURE 3

FIGURE 4

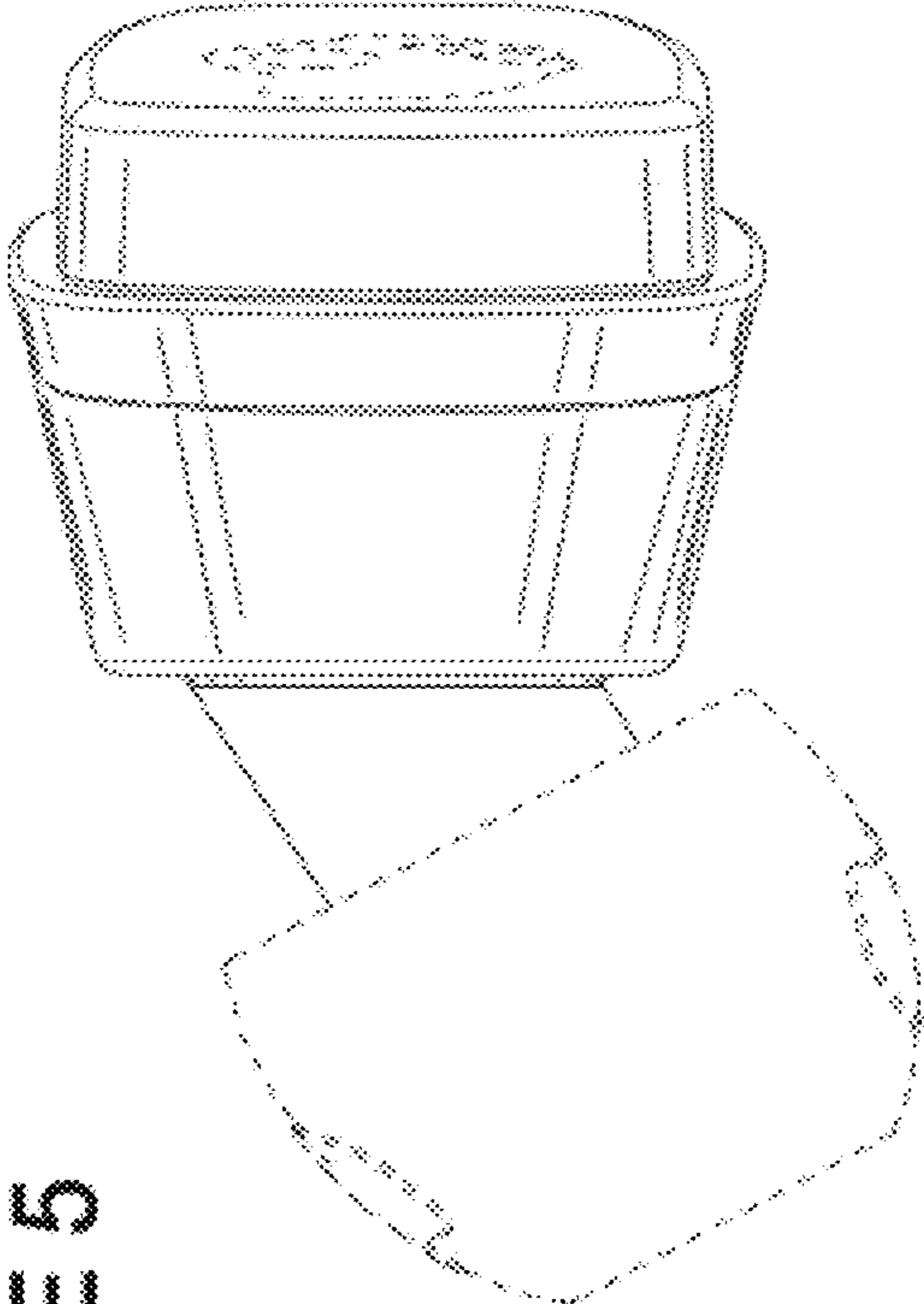


FIGURE 5

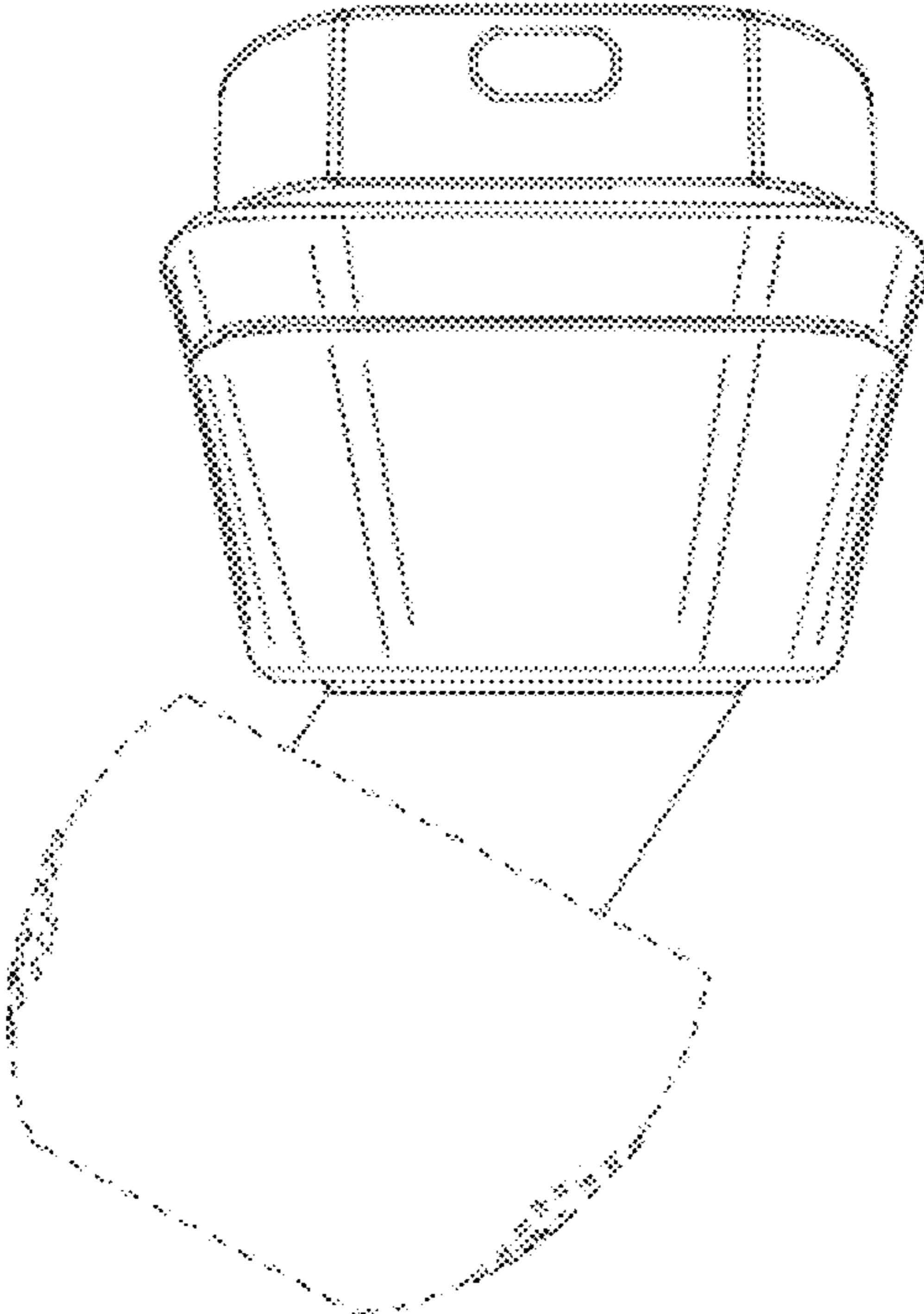


FIGURE 6

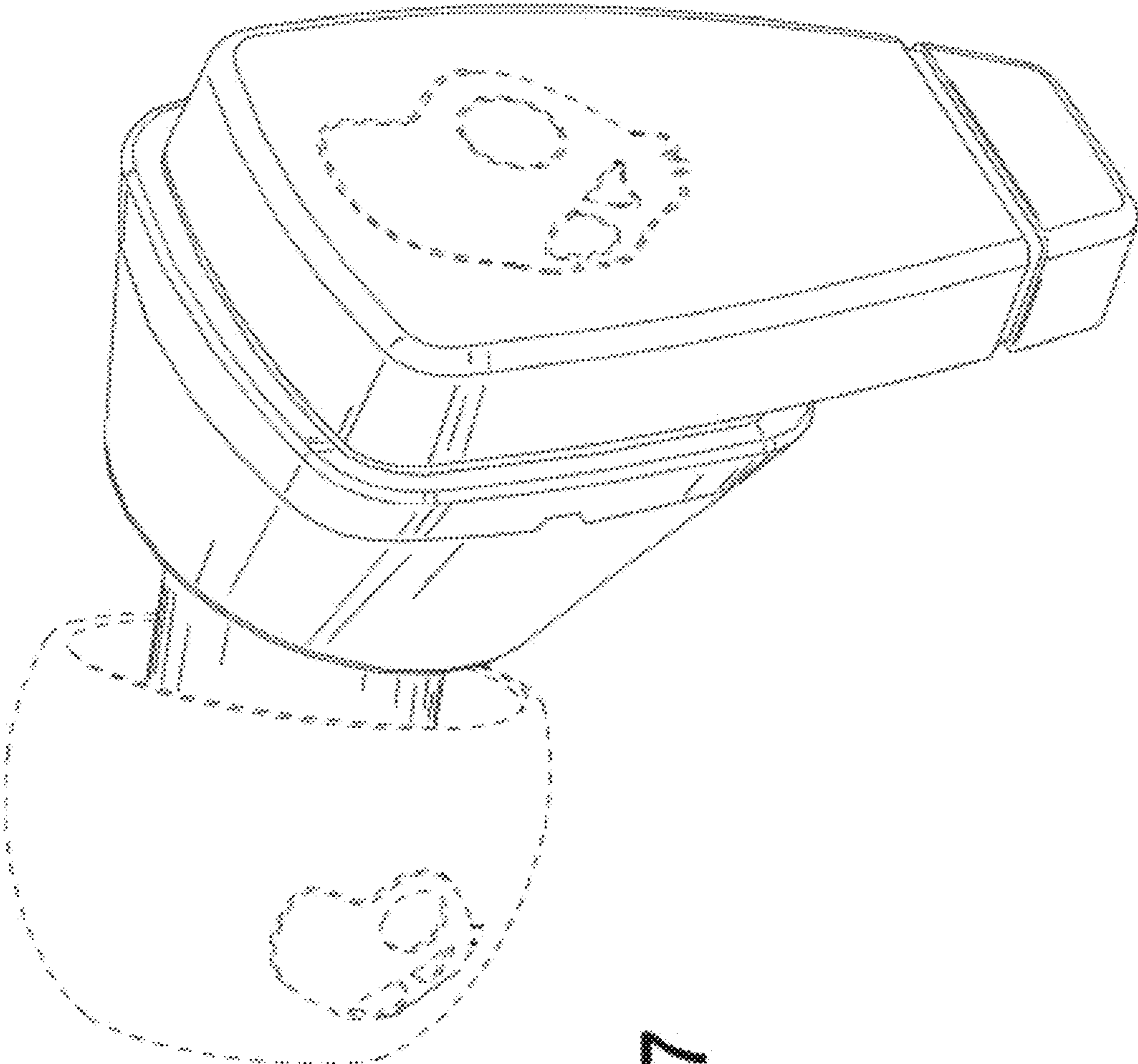


FIGURE 7